

WSM

WORKSHOP MANUAL ROTARY MOWER

**RCK54-75B, RCK54-24B
RCK60-24B, RCK60-27B
RC72-27B**

Kubota

CLICK HERE TO **DOWNLOAD** THE COMPLETE MANUAL

- Thank you very much for reading the preview of the manual.
- You can download the complete manual from: www.heydownloads.com by clicking the link below



- Please note: If there is no response to CLICKING the link, please download this PDF first and then click on it.

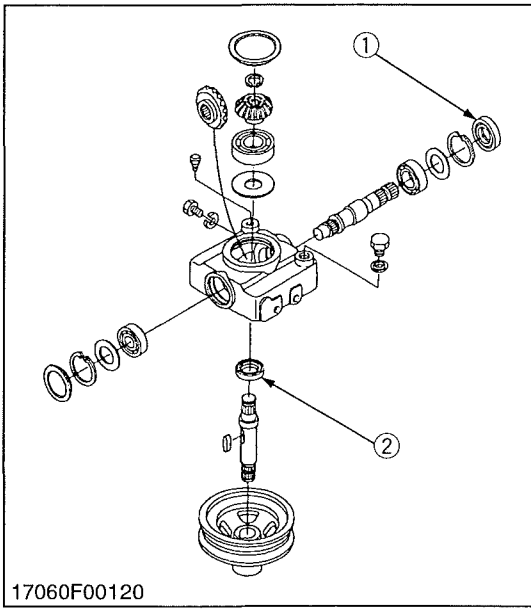
CLICK HERE TO **DOWNLOAD** THE COMPLETE MANUAL

SPECIFICATIONS

Model	RCK54-75B	RCK54-24B	RCK60-24B	RCK60-27B	RC72-27B
Suitable tractor	B7400, B7500	B1700, B2100, B2400, B2410, B7300		B2710, B2910	
Mounting method	Suspended linkage	Parallel linkage			
Adjustment of cutting height	Lever	Gauge wheel			
Cutting width	1372 mm (54 in.)		1524 mm (60 in.)		1826 mm (72 in.)
Cutting height	38 to 102 mm (1.5 to 4.0 in.)				
Weight (Approx.)	150 kg (331 lbs)	156 kg (344 lbs)	158 kg (348 lbs)		217 kg (478 lbs)
Blade spindle speed	50.0 r/s (3000 rpm)		44.7 r/s (2680 rpm)		40.0 r/s (2400 rpm)
Blade tip velocity	74.6 m/s (14680 fpm)		73.4 m/s (14439 fpm)		78.4 m/s (14680 fpm)
Blade length	475 mm (18.7 in.)		523 mm (20.6 in.)		625 mm (24.6 in.)
Number of blades	3				
Dimensions	Total length	1072 mm (42.2 in.)		1100 mm (43.3 in.)	1060 mm (41.7 in.)
	Total width	1695 mm (66.7 in.)		1881 mm (74 in.)	
	Total height	345 mm (13.6 in.)		345 mm (13.6 in.)	
					1243 mm (43.9 in.)
					2247 mm (88.5 in.)
					370 mm (14.6 in.)

17031Z00050

(5) Check Point of Every 2 Years



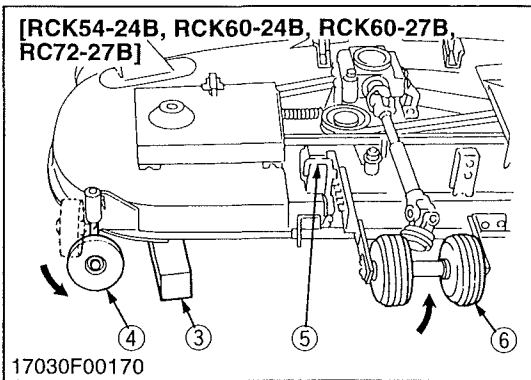
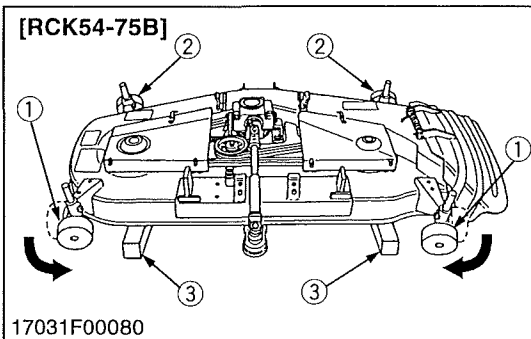
Replacing Gear Box Oil Seal

1. Replace the gear box oil seals (1), (2) with new ones. (See page S-8).

- (1) Oil Seal
- (2) Oil Seal

17031G00090

[7] SETTING UP MOWER



Assembling Mower

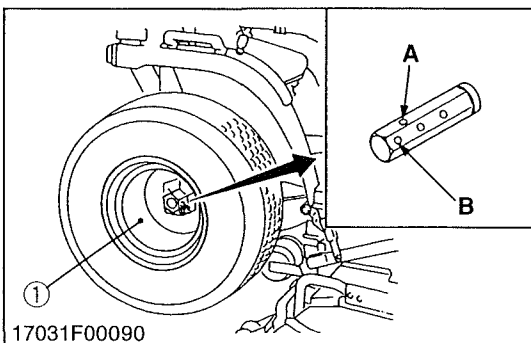
CAUTION

• RCK54-24B, RCK60-24B, RCK60-27B, RC72-27B
Do not operate the rear gauge wheel adjusting lever (5) without support by block (3).

1. Take out all mower components from the case, and assemble the mower.
2. Support the mower deck with a block (3) as shown in the figure.
3. [RCK54-75B]
Turn the front and rear anti-scalp rollers (2), (1) sideways position.
3. [RCK54-24B, RCK60-24B, RCK60-27B, RC72-27B]
Turn the anti-scalp wheel (4) sideways position, and set the rear gauge wheel (6) on the lowest cutting height.
4. Remove the block.

- (1) Rear Anti-scalp Roller
- (2) Front Anti-scalp Roller
- (3) Block
- (4) Anti-scalp Wheel
- (5) Rear Gauge Wheel Adjusting Lever
- (6) Rear Gauge Wheel

17031G00100



Rear Wheel (RCK54-75B, RCK54-24B, RCK60-24B)

1. Park the tractor on level ground, and set the both rear wheels (1) of the tractor at the position as below.

RCK54-75B	Set to center position (A)
RCK54-24B RCK60-24B	Set to outer position (B)

- (1) Rear Wheel
- (A) Center Position
- (B) Outer Position

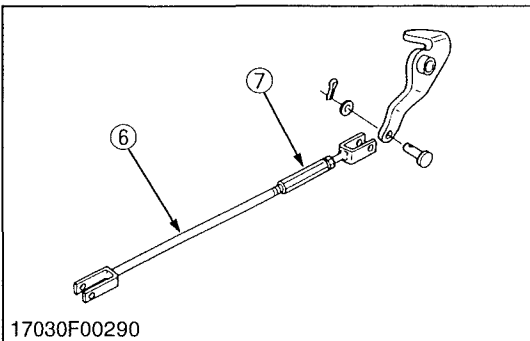
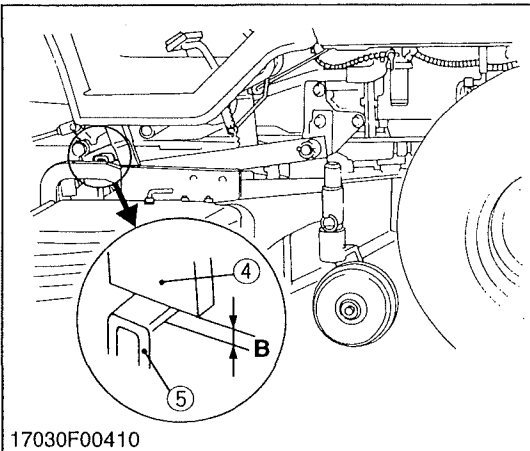
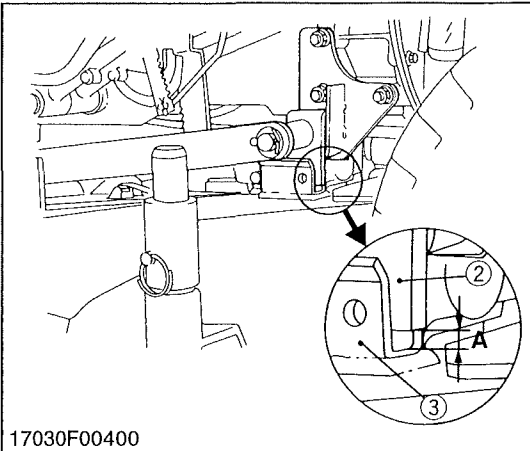
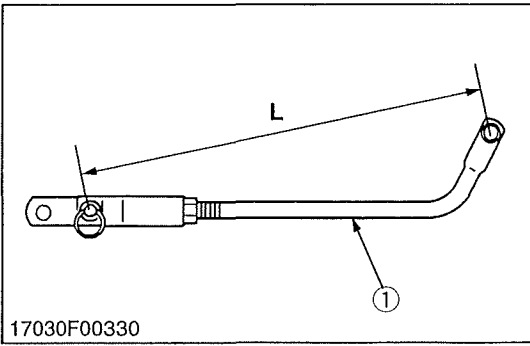
17031G00110

**Adjusting Front Link and Connecting Rod
(RCK54-24B, RCK60-24B, RCK60-27B, RC72-27B)**

CAUTION

- Before starting the engine, change the mid-PTO and gear shift lever into neutral.
- Shut off the engine and allow the mower blades to stop before making adjustments.

1. Park the tractor on level ground with the mower touching the ground.
2. Set the height of the four mower gauge wheels the same.
3. If the front gauge wheels are not on the ground, remove the front link from the mower. And adjust the length (L) of the front link (1) until the front gauge wheels come into contact with the ground.
4. Attach the front link to the mower.
5. Start the engine.
6. Lift the mower to the maximum lifting position and shut off the engine.
7. Adjust the turnbuckles (7) of the left and right connecting rods (6) so that the clearances are within the factory specifications.



Clearance (A) between front stopper and mid hanger bracket	Factory spec.	2 to 5 mm 0.08 to 0.20 in.
Clearance (B) between rear stopper and tractor frame	Factory spec.	5 to 10 mm 0.20 to 0.39 in.

Clearance (A) between front stopper and mid hanger bracket	Factory spec.	RCK54-24B RCK60-24B	2.0 to 4.0 mm 0.08 to 0.15 in.
		RCK60-27B RC72-27B	2.0 to 5.0 mm 0.08 to 0.15 in.
Clearance (B) between rear stopper and tractor frame	Factory spec.	RCK54-24B RCK60-24B	LH 0 mm, 0 in. Just contact
			RH 5.0 to 8.0 mm 0.20 to 0.31 in.
		RCK60-27B RC72-27B	LH and RH 5.0 to 10.0 mm 0.20 to 0.39 in.

IMPORTANT

- Proper adjustment for the connecting rod length is very important to avoid damage to the mower lifting system.

- | | |
|------------------------|--------------------|
| (1) Front Link | (5) Rear Stopper |
| (2) Mid Hanger Bracket | (6) Connecting Rod |
| (3) Front Stopper | (7) Turnbuckle |
| (4) Tractor Frame | |

17031G00220

TIGHTENING TORQUES

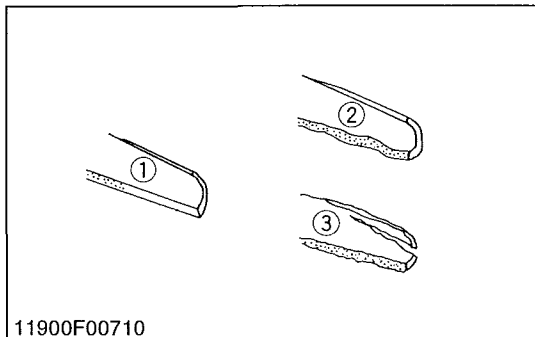
Tightening torques of screws, bolts and nuts on the table below are especially specified.
(For general use screws, bolts and nuts : See page G-3.)

Item	N·m	kgf·m	ft-lbs
Gear box bracket mounting screw			
RCK54-75B	77.4 to 90.2	7.9 to 9.2	57.1 to 66.5
RCK54-24B, RCK60-24B, RCK60-27B, RC72-27B	78.5 to 88.2	8.0 to 9.0	57.9 to 65.1
Mower blade screw	98.1 to 117.7	10.0 to 12.0	72.3 to 86.8
Gear box mounting screw			
RCK54-75B	77.4 to 90.2	7.9 to 9.2	57.1 to 66.5
RCK54-24B, RCK60-24B, RCK60-27B, RC72-27B	78.5 to 88.2	8.0 to 9.0	57.9 to 65.1
Outer pulley mounting nut			
RCK54-75B	196.1 to 225.6	20.0 to 23.0	144.7 to 166.4
RCK54-24B, RCK60-24B, RCK60-27B, RC72-27B	166.7 to 186.3	17.0 to 19.0	123.0 to 137.4
Center pulley holder reamer screw and reamer bolt			
RCK54-75B	77.4 to 90.2	7.9 to 9.2	57.1 to 66.5
RCK54-24B, RCK60-24B, RCK60-27B, RC72-27B	78.5 to 88.2	8.0 to 9.0	57.9 to 65.1
Pulley holder mounting screw and nut	77.4 to 90.2	7.9 to 9.2	57.1 to 66.5

17031S00030

CHECKING, DISASSEMBLING AND SERVICING

CHECKING AND ADJUSTING



11900F00710

Checking Mower Blade

1. Check the cutting edge of mower blade.
2. Sharpen the cutting edges, if the mower blades are as shown in figure ②.
3. Replace the mower blades, if they are as shown in figure ③.

■ IMPORTANT

- Never forget to set the dust cover, two cup washers and the lock washer (RCK54-75B) or spline boss, when reassembling the mower blades. (See page S-6)

■ NOTE

- To sharpen the mower blades by yourself, clamp the mower blade securely in a vise and use a large mill file along the original bevel.
- To balance the mower blade, place a small rod through the center hole and check to see if the blade balances evenly. File heavy side of the blade until it balances out even.

(1) New Blade
(2) Worn Blade

(3) Cracked Blade

17031S00040

CLICK HERE TO **DOWNLOAD** THE COMPLETE MANUAL

- Thank you very much for reading the preview of the manual.
- You can download the complete manual from: www.heydownloads.com by clicking the link below



- Please note: If there is no response to CLICKING the link, please download this PDF first and then click on it.

CLICK HERE TO **DOWNLOAD** THE COMPLETE MANUAL