

WSM

WORKSHOP MANUAL
ROTARY MOWER

RCK54-32,RCK60-32

Kubota

CLICK HERE TO **DOWNLOAD** THE COMPLETE MANUAL

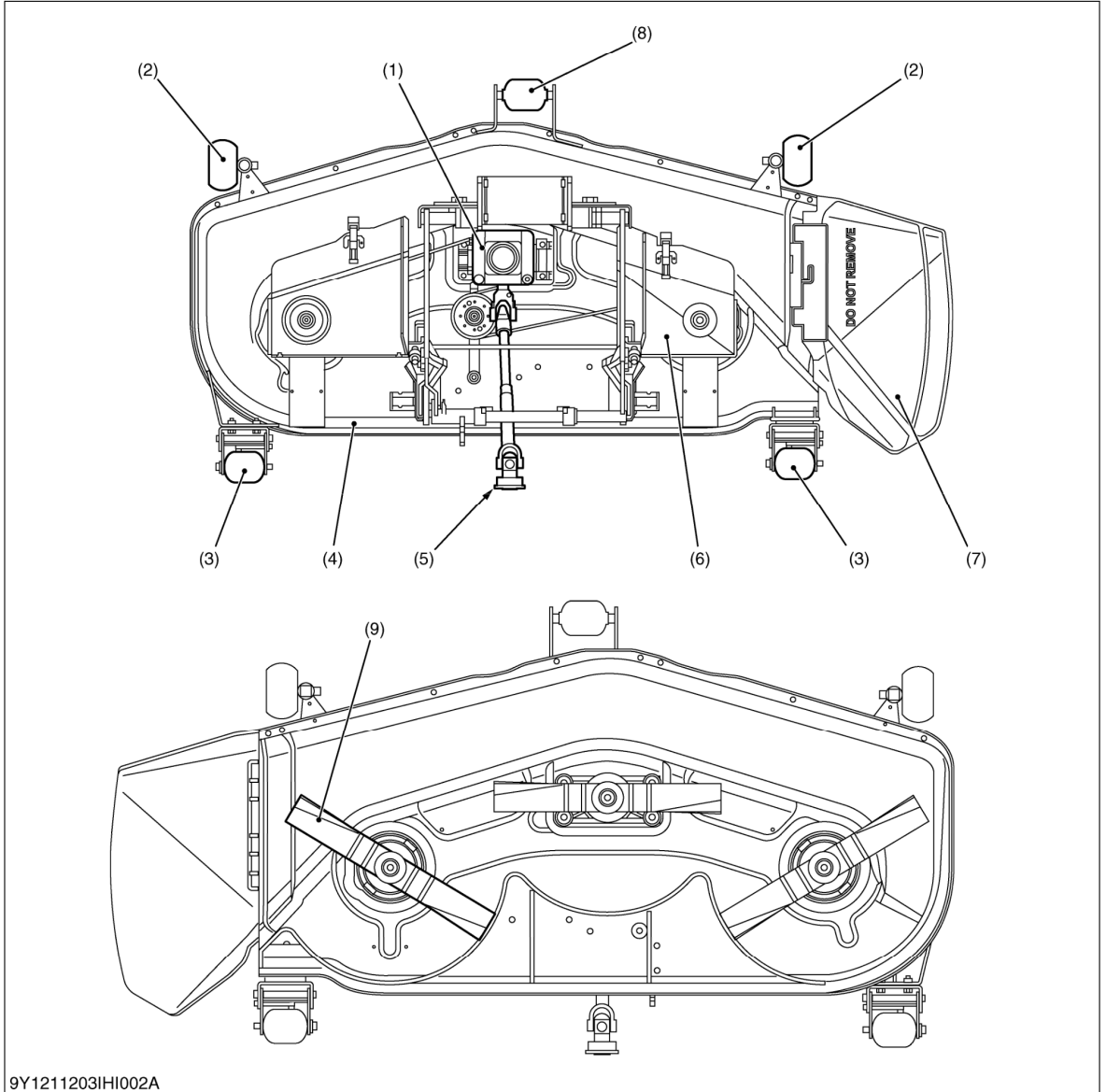
- Thank you very much for reading the preview of the manual.
- You can download the complete manual from: www.heydownloads.com by clicking the link below



- Please note: If there is no response to CLICKING the link, please download this PDF first and then click on it.

CLICK HERE TO **DOWNLOAD** THE COMPLETE MANUAL

[2] RCK60-32



9Y1211203IH002A

- | | | | |
|-----------------------------|---------------------|-------------------------|------------------------------|
| (1) Gear Box | (4) Deck | (6) Belt Cover | (8) Center Anti-scalp Roller |
| (2) Front Anti-scalp Roller | (5) Universal Joint | (7) Discharge Deflector | (9) Blade |
| (3) Rear Anti-scalp Roller | | | |

9Y1211345INI0004US0

6. CHECK AND MAINTENANCE

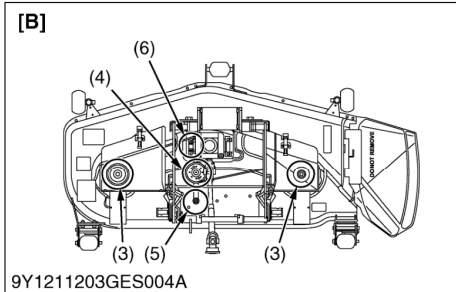
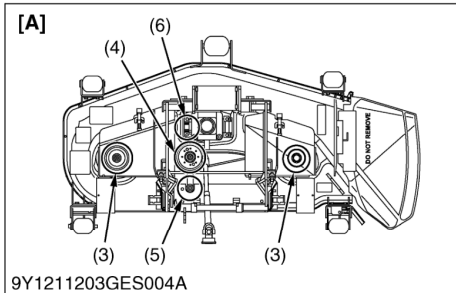
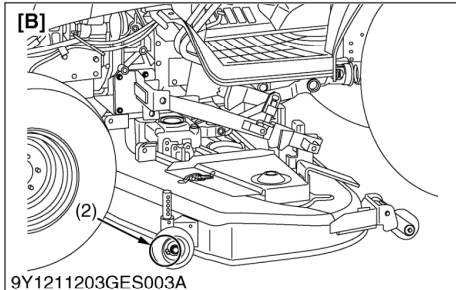
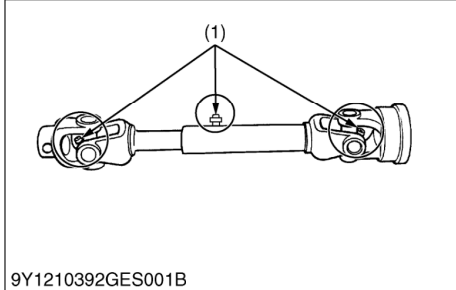
WARNING

To avoid serious injury:

- Stop the engine, set the parking brake and remove the key.

9Y1211345GEG0004US0

[1] DAILY CHECK

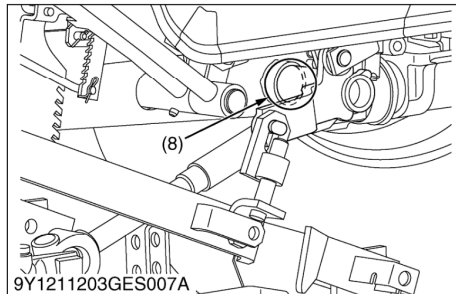
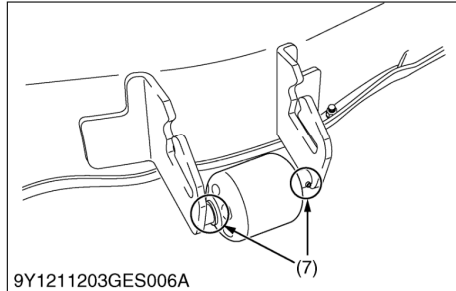


Greasing [Use multipurpose EP2 grease (NLGI Grade No. 2)]

1. Apply a greasing to the following position as figures.

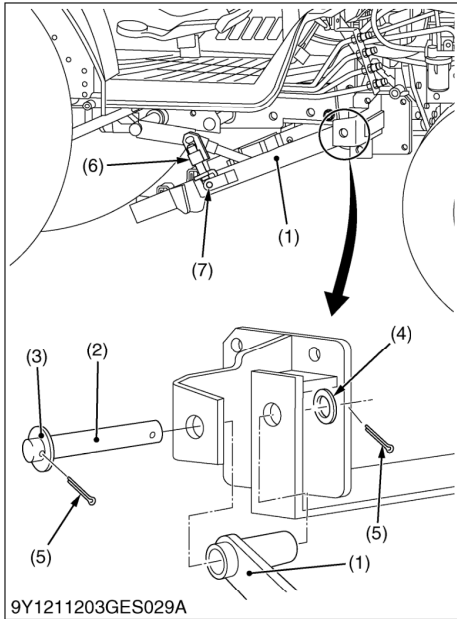
■ IMPORTANT

- After checking above items, replace any worn, damaged or missing parts.
- Dry deck completely before storage, or pulleys become rusty and damage can result.



- | | |
|--|---|
| (1) Grease Fitting (Universal Joint) | (6) Grease Fitting (Center Spindle Shaft) |
| (2) Grease Fitting (Front Anti-scalp Roller) | (7) Roller pin (Center Anti-scalp Roller) |
| (3) Grease Fitting (Spindle Shaft) | (8) Lift Arm |
| (4) Grease Fitting (Belt Tension Pulley) | [A] RCK54-32 |
| (5) Grease Fitting (Belt Tension Pivot) | [B] RCK60-32 |

9Y1211345GEG0005US0



Mower Rear Link

1. Connect the mower rear link (1) to the lift link (6).
2. Install the mower rear link (1) to the mid hanger bracket with the stay pin (2), plain washers (3) (4), and cotter pins (5).
3. Connect the connecting rod (8) to the lift arm (9) with clevis pin, plain washer and cotter pin.

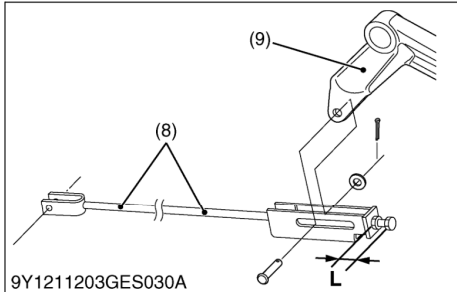
■ **NOTE**

- Make sure the length (L) of the adjusting bolt is as shown in the chart below.
- When mounting the mower to the tractor with farm tires (front: 7-12, rear: 11.2-16), see page G-12 to avoid damage to the mower.

Connecting rod length "L"	Factory specification	28 mm 1.1 in.
---------------------------	-----------------------	------------------

- | | |
|---|---|
| <ul style="list-style-type: none"> (1) Mower Rear Link (2) Stay Pin (3) Plain Washer (4) Plain Washer (5) Cotter Pin (4 × 32) (6) Lift Link | <ul style="list-style-type: none"> (7) Clevis Pin, Plain Washer, Cotter Pin (8) Connecting Rod (9) Lift Arm <p>L: Adjusting Bolt Length</p> |
|---|---|

9Y1211345GEG0021US0



Symptom	Probable Cause and Checking Procedure	Solution	Reference Page
Mower Is Not Lifted	1. 3-point lowering speed knob of the tractor is locked.	Unlock the knob	See the tractor operator's manual
	2. Broken linkage system	Replace linkage system	1-M2
	3. Trouble of hydraulic system	Check hydraulic system	1-M2, see the tractor WSM
Blade Does Not Rotate	1. Mower belt broken	Replace the mower belt	G-10
	2. PTO clutch broken	Solution order 1. Check the pressure plate, clutch disc and steel plate	See the tractor WSM
		2. Replace the PTO clutch	See the tractor WSM
Blade Speed is Low	1. Mower belt loosen	Replace the mower belt or tension spring	G-10
	2. Grass clogged	Remove the grass	–
	3. Cup washer flattened out or worn	Replace cup washer	1-S7
Cutting is Poor	1. Blades worn or broken	Sharpen or replace the blade	G-8, G-10
	2. Mower belt mounting screw loosen	Retighten mounting screw	G-10
	3. Improper cutting height	Adjust cutting height	1-S6

9Y1211345MOS0001US0

CLICK HERE TO **DOWNLOAD** THE COMPLETE MANUAL

- Thank you very much for reading the preview of the manual.
- You can download the complete manual from: www.heydownloads.com by clicking the link below



- Please note: If there is no response to CLICKING the link, please download this PDF first and then click on it.

CLICK HERE TO **DOWNLOAD** THE COMPLETE MANUAL