

WSM

WORKSHOP MANUAL
ROTARY MOWER

**RCK54-24B-EC, RCK60-24B-EC,
RCK60-27B-EC RC60-24BR,
RC60-27BR**

Kubota

CLICK HERE TO **DOWNLOAD** THE COMPLETE MANUAL

- Thank you very much for reading the preview of the manual.
- You can download the complete manual from: www.heydownloads.com by clicking the link below



- Please note: If there is no response to CLICKING the link, please download this PDF first and then click on it.

CLICK HERE TO **DOWNLOAD** THE COMPLETE MANUAL

1. MOWER IDENTIFICATION

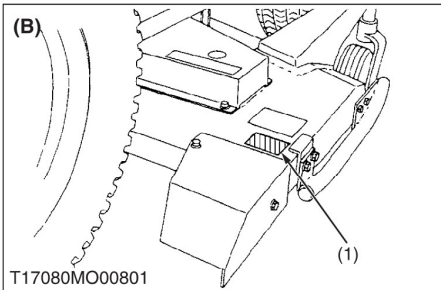
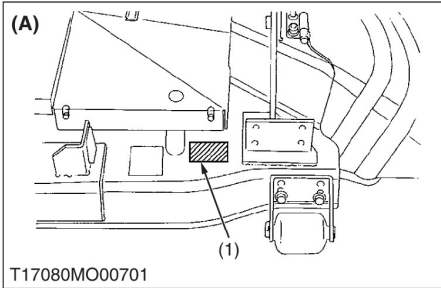
When contacting your local KUBOTA distributor, always specify mower serial number.

(1) Mower Serial Number

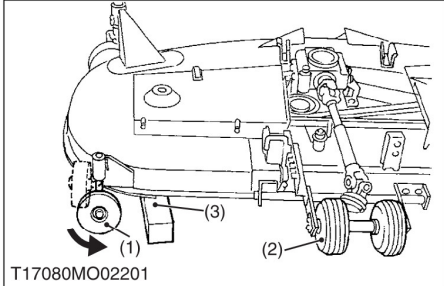
**(A) RCK54-24B-EC, RCK60-24B-EC,
RCK60-27B-EC**

(B) RC60-24BR, RC60-27BR

W1020623



7. SETTING UP MOWER



Assembling Mower

⚠ CAUTION

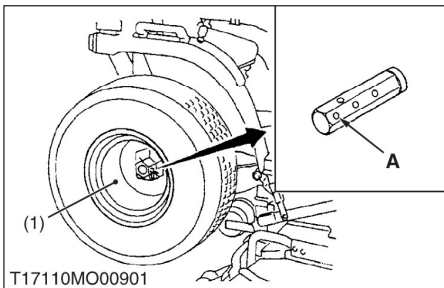
- Do not operate the rear gauge wheel adjusting lever (4) without support by block (3).

1. Take out all mower components from the case, and assemble the mower.
2. Support the mower deck with a block (3) as shown in the figure.
3. Turn the anti-scalp wheel (1) sideways position, and set the rear gauge wheel (2) on the lowest cutting height.
4. Remove the block.

- (1) Anti-scalp Wheel
(2) Rear Gauge Wheel

- (3) Block
(4) Rear Gauge Wheel Adjusting Lever

W1029213



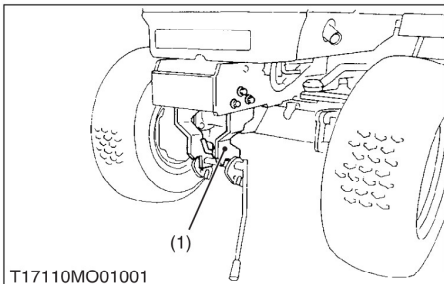
Rear Wheel (RCK54-24B-EC, RCK60-24B-EC, RC60-24BR)

1. Park the tractor on level ground, and set the both rear wheels (1) of the tractor at the outer position (A).

- (1) Rear Wheel

A : Outer Position

W1015453



Front Hanger Bracket

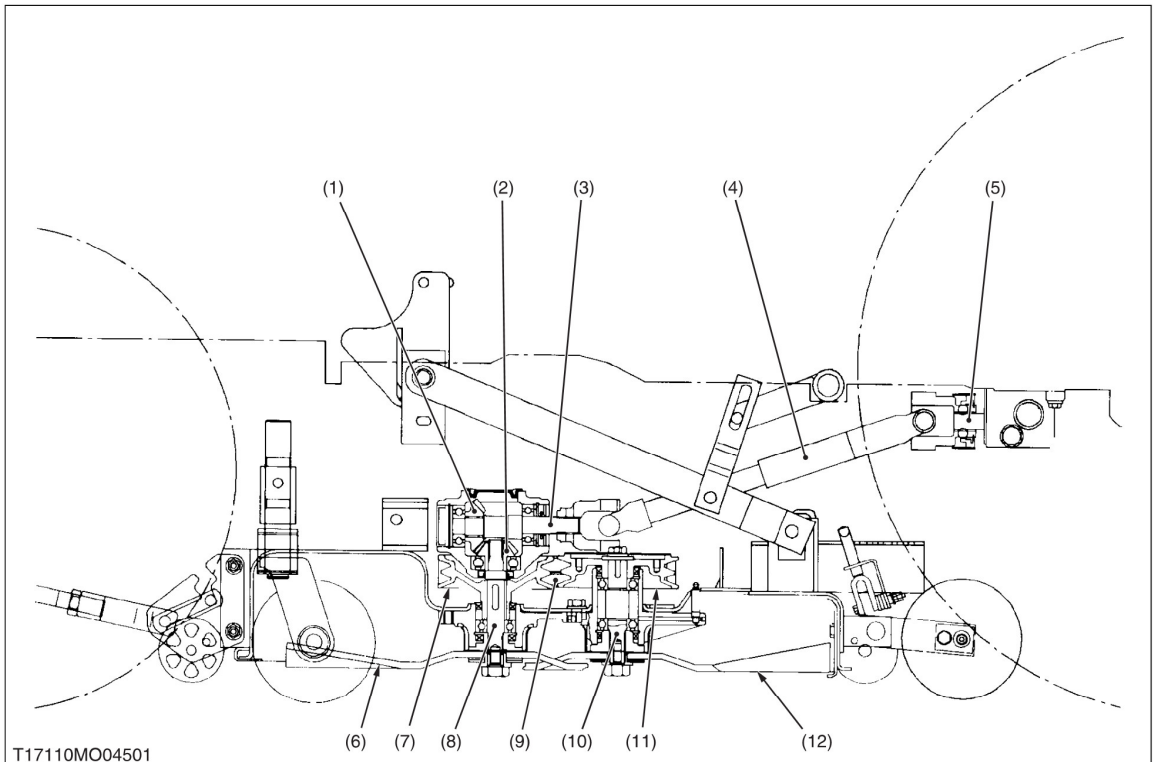
1. Attach the front hanger bracket (1) to the frame with M14 bolts.

- (1) Front Hanger Bracket

W1029353

1. POWER TRANSMISSION

[RCK54-24B-EC, RCK60-24B-EC, RCK60-27B-EC]



T17110MO04501

- | | | | |
|---|----------------------|-------------------|-------------------|
| (1) 19T Bevel Gear (RCK60-24B-EC, RCK60-27B-EC) | (2) 16T Bevel Gear | (6) Center Blade | (10) Blade Shaft |
| (3) Pinion Shaft | (4) Universal Joint | (7) Center Pulley | (11) Outer Pulley |
| (5) 21T Bevel Gear (RCK54-24B-EC) | (8) Bevel Gear Shaft | (9) Mower Belt | (12) Outer Blade |

The power is transmitted from mid-PTO to blades as follows:

Center Blade

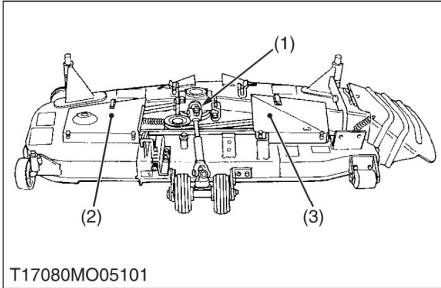
Mid-PTO Shaft (5) → Universal Joint (4) → Pinion Shaft (3) → Bevel Gear (1) → Bevel Gear (2) → Bevel Gear Shaft (8) → Center Blade (6)

Outer Blade

Mid-PTO Shaft (5) → Universal Joint (4) → Pinion Shaft (3) → Bevel Gear (1) → Bevel Gear (2) → Bevel Gear Shaft (8) → Center Pulley (7) → Mower Belt (9) → Outer Pulley (11) → Blade Shaft (10) → Outer Blade (12)

[2] DISASSEMBLING AND ASSEMBLING

(1) RCK54-24B-EC, RCK60-24B-EC, RCK60-27B-EC (Side Discharge Mower)

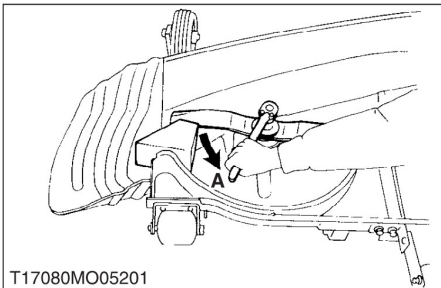


Universal Joint and Belt Covers

1. Remove the universal joint (1).
2. Remove the left and right belt covers (2), (3).

- (1) Universal Joint (3) Belt Cover (Right)
 (2) Belt Cover (Left)

W1012580



Mower Blades (Center Blade and Outer Blades)

1. Turn over the mower.
2. Unscrew the mower blade screw (5), and remove the spline boss (4), two cup washers (3), mower blade (2) and dust cover (1).

NOTE

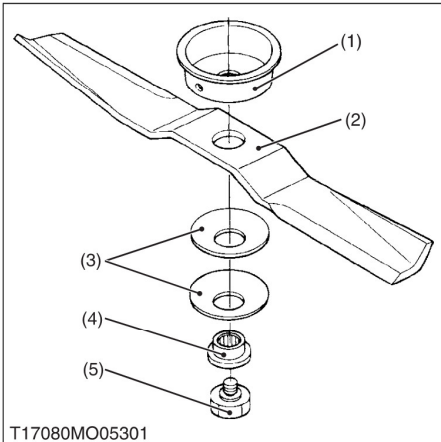
- To remove the blade securely, wedge a block of wood between one blade and the mower deck in such position that it will hold the blade safely while loosening or tightening the blade screw.

(When reassembling)

- Be sure to assemble the two cup washers between the mower blade and spline boss.

IMPORTANT

- Make sure the cup washer is not flattened out or worn, causing blade to slip easily. Replace two cup washers if either is damaged.

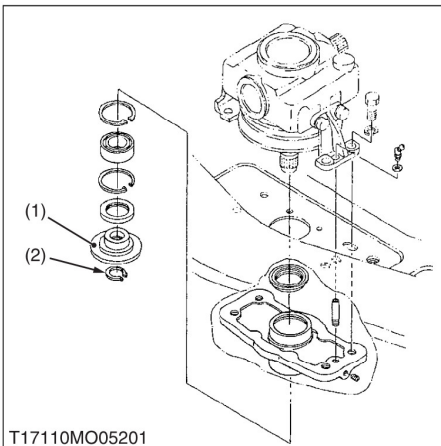


Tightening torque	Mower blade screw	98.1 to 117.7 N·m 10.0 to 12.0 kgf·m 72.3 to 86.8 ft·lbs
-------------------	-------------------	--

- (1) Dust Cover
 (2) Mower Blade
 (3) Cup Washer
 (4) Spline Boss
 (5) Mower Blade Screw

A : Loosen

W1012667



Blade Boss

1. Remove the external snap ring (2).
2. Remove the blade boss (1).

- (1) Blade Boss (2) External Snap Ring

W1012871

CLICK HERE TO **DOWNLOAD** THE COMPLETE MANUAL

- Thank you very much for reading the preview of the manual.
- You can download the complete manual from: www.heydownloads.com by clicking the link below



- Please note: If there is no response to CLICKING the link, please download this PDF first and then click on it.

CLICK HERE TO **DOWNLOAD** THE COMPLETE MANUAL