

Hitachi EX200-1

BUCKET

BUCKET PINS

BUCKET LINKAGES

BUCKET LINKAGES

DIPPER STICK

BOOM

BUCKET CYLINDER

DIPPER STICK CYLINDER

BOOM LIFT CYLINDER

CAB

SEAT

INSTRUMENT PANEL

RELAYS

COMPUTER

WIRING LOOM

HAND SERVO CONTROLS

HEATER A/C

BONNET

DOORS

FUEL TANK

HYDRAULIC TANK

BELLY PLATES

DIESEL ENGINE

RADIATOR

HYDRAULIC OIL COOLER

HYDRAULIC PUMPS

HYD PUMP DRIVE GEARBOX

SLEW MOTOR

SLEW MOTOR GEARBOX

CONTROL VALVE

CENTRE JOINT

SLEW BEARING

TRACK CHAINS & GROUSERS

CLICK HERE TO **DOWNLOAD** THE COMPLETE MANUAL

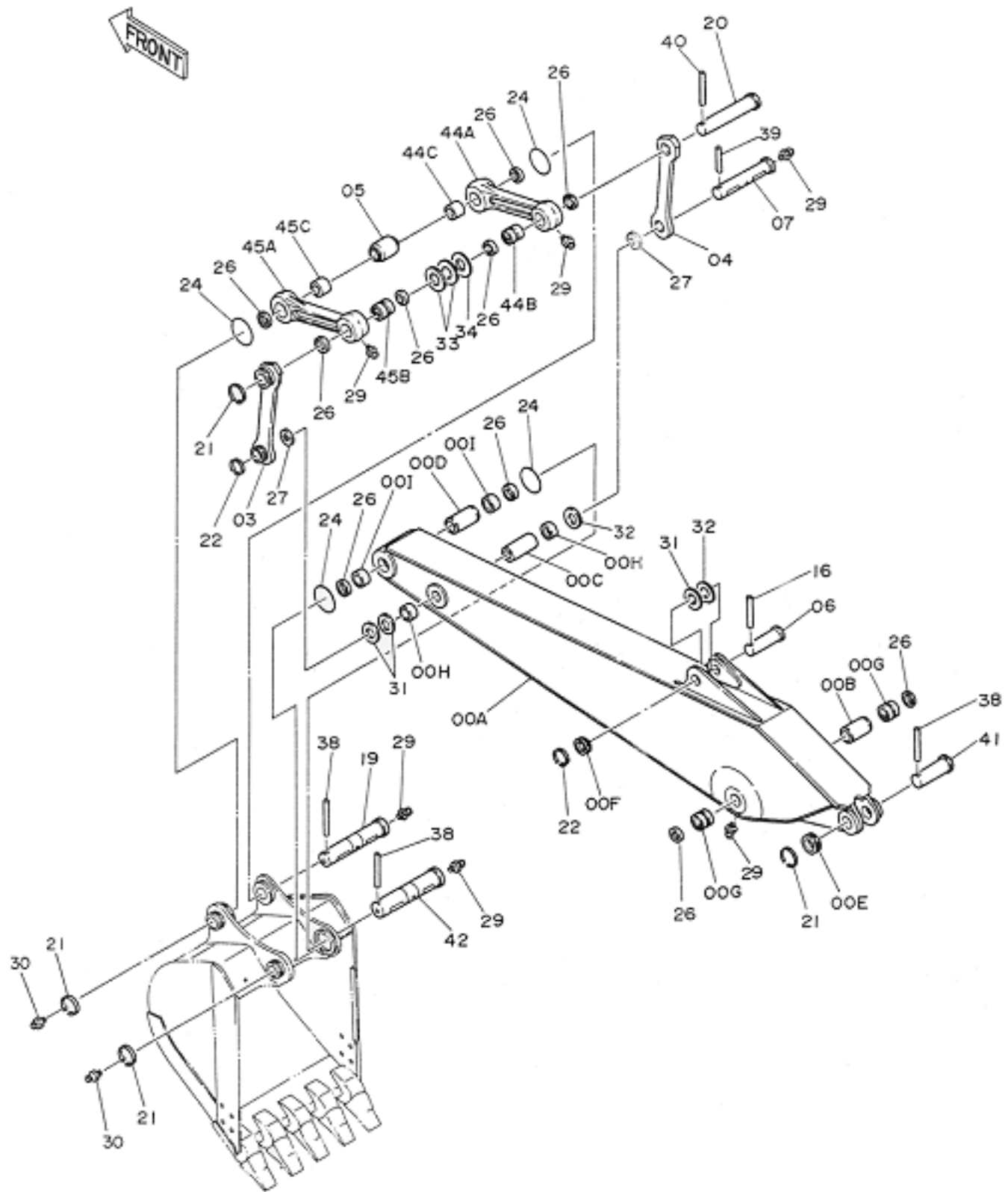
- Thank you very much for reading the preview of the manual.
- You can download the complete manual from: www.heydownloads.com by clicking the link below



- Please note: If there is no response to CLICKING the link, please download this PDF first and then click on it.

CLICK HERE TO **DOWNLOAD** THE COMPLETE MANUAL

Dipper Stick



ITEM	PART NO.	PART NAME
00A-I	6007483	ARM ASS'Y

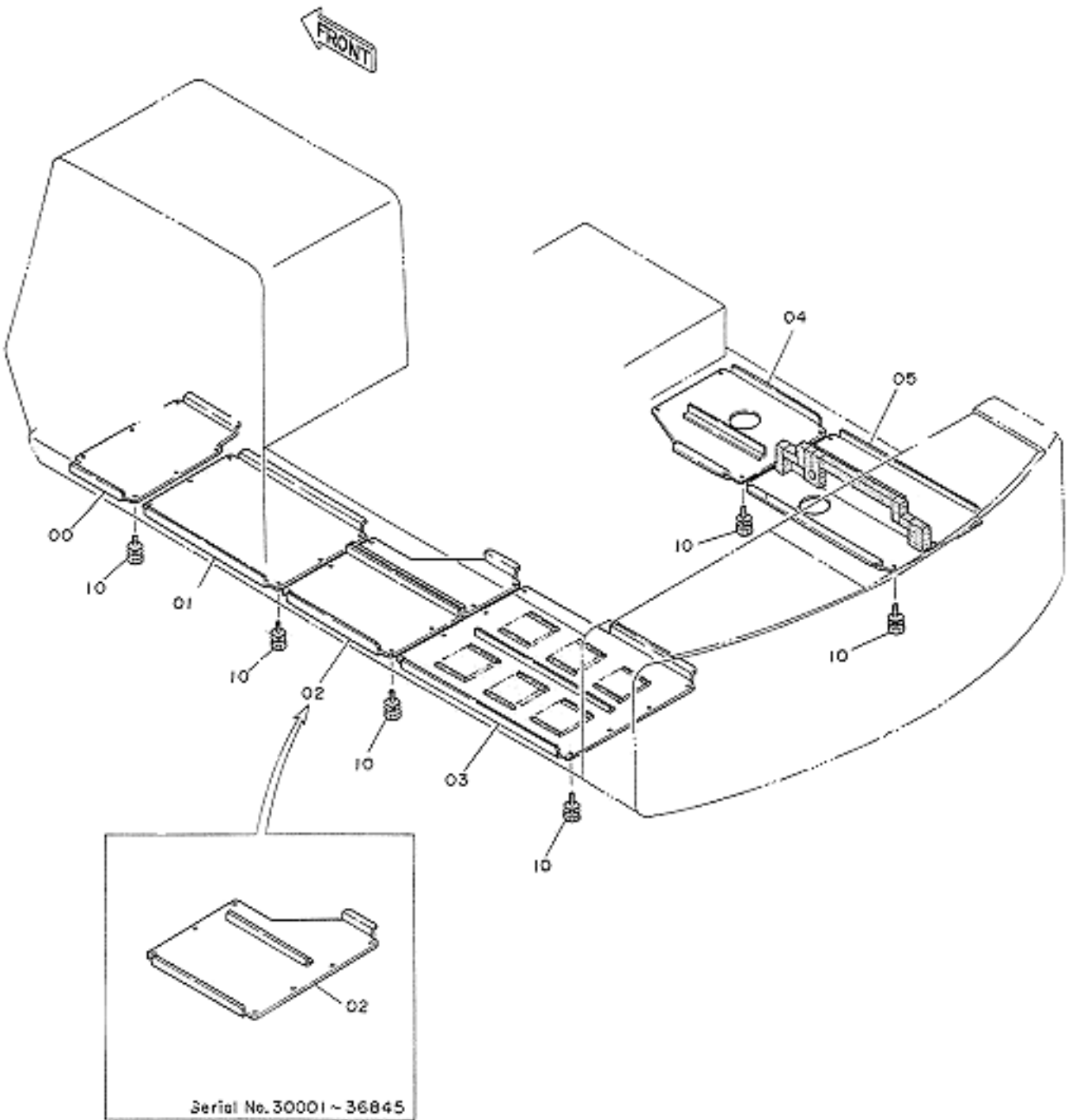
37	8035683	PIPE
38	8035684	PIPE
39	8038532	PIPE
40	8038533	PIPE

02	4128454	LOCK;DOOR
03	M430616	SCREW
04	A590906	WASHER;SPRING
05	4204613	ROD
06	4204614	LEVER
07	M430616	SCREW
08	A590906	WASHER;SPRING
09	A590106	WASHER;PLANE
10	4204615	HANDLE;OUTER
11	M500807	NUT
12	A590908	WASHER;SPRING
13	4204616	COVER
14	M430510	SCREW
15	A590905	WASHER;SPRING
16	4204579	HANDLE
17	M430616	SCREW
18	A590906	WASHER;SPRING
19	A590106	WASHER;PLANE
20	4204617	BOLT;U
21	4208104	NUT
22	A590910	WASHER;SPRING
23	4208105	WASHER;PLANE
24	4204618	TRIM;PAD
25	4204607	CLIP
27	4204619	COVER
28	M430408	SCREW
30	4204620	WEATHER STRIP
31	4204621	CLIP
34	4204624	GLASS
35	4204625	RUBBER;Z
36	4204626	WINDOW ASS'Y
37	4204627	SASH
38	4147943	CATCH
39	4147893	CATCH
40	4204628	GLASS RUN
41	4204629	GLASS
42	4204630	GLASS

45	A590905	WASHER; SPRING
47	9067007	UNIT; CONTROL
48	M430610	SCREW
49	A590906	WASHER; SPRING
50	4146754	RUBBER
51	4152940	RELAY; HOURMETER
52	M430513	SCREW
53	A590905	WASHER; SPRING
54	4187082	LAMP; ROOM
54A	4187083	BULB
55	M430513	SCREW
56	A590905	WASHER;SPRING
57	4121152	SPEAKER
57A	4210414	SCREW
58	4123177	ANTENNA
58A	4210412	SCREW
58B	4210413	SCREW
59-62	4208955	WIPER ASS'Y
59	4188762	WIPER-MOTOR
60	4188763	WIPER-ARM
60A	4167472	COVER
61	4151077	WIPER-BLADE
62	M500807	NUT
63	M430610	SCREW
64	A590906	WASHER;SPRING
65	A590106	WASHER;PLANE
66	4189180	TIMER
67	M430610	SCREW
68	A590906	WASHER;SPRING
69	4205029	RELAY
70	M430610	SCREW
71	A590906	WASHER;SPRING
72	4205179	BRACKET
73	M430610	SCREW
74	A590906	WASHER;SPRING
75	J950010	NUT
76	A590910	WASHER;SPRING

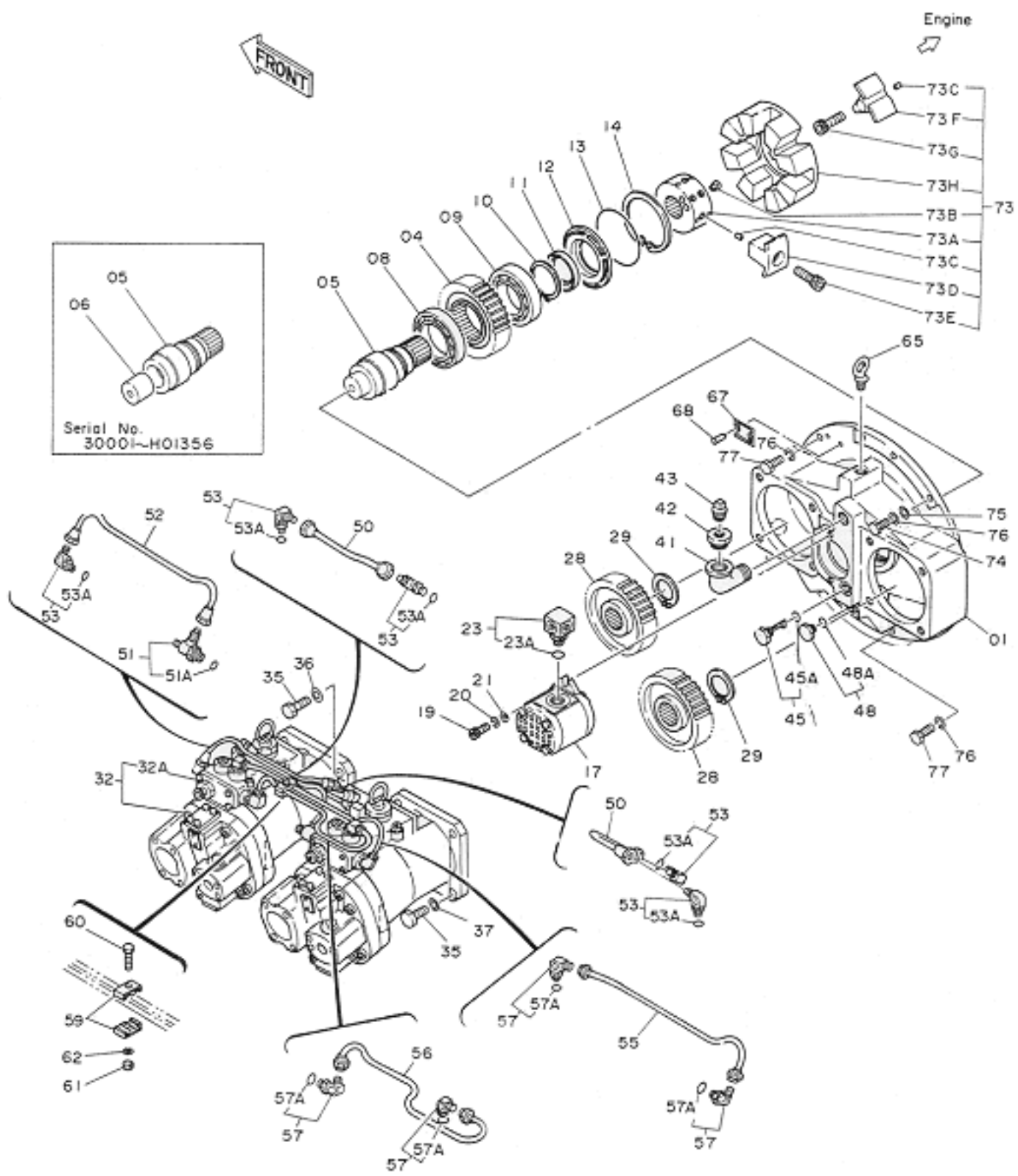
00	5001971	COVER; ENGINE
02	J901230	BOLT
03	A590112	WASHER
04	A590912	WASHER; SPRING
05	J950012	NUT
07	3035350	BAR: TORSION
08	4188355	BAR; TORSION
10	9725331	BRACKET
11	J901225	BOLT
11	J021225	BOLT; SEMS
12	A590912	WASHER; SPRING
13	A590112	WASHER
15	4188356	BAR
16	A590116	WASHER
17	4022701	PIN; LOCK
19	4187086	CATCH (WITH LOCK)
20	322831	CATCH
21	4119658	ANCHOR
22	J900816	BOLT
22	J010816	BOLT; SEMS
23	M430825	SCREW
24	A590908	WASHER; SPRING
25	A590108	WASHER
26	4217429	CATCH ASS'Y
26A	3040904	CATCH (WITHOUT LOCK)
26B	3021131	ANCHOR
27	A590908	WASHER; SPRING

Belly Plate



ITEM	PART NO.	PART NAME
00	3035312	COVER
01	3037515	COVER
02	8037678	COVER
02	7019992	COVER

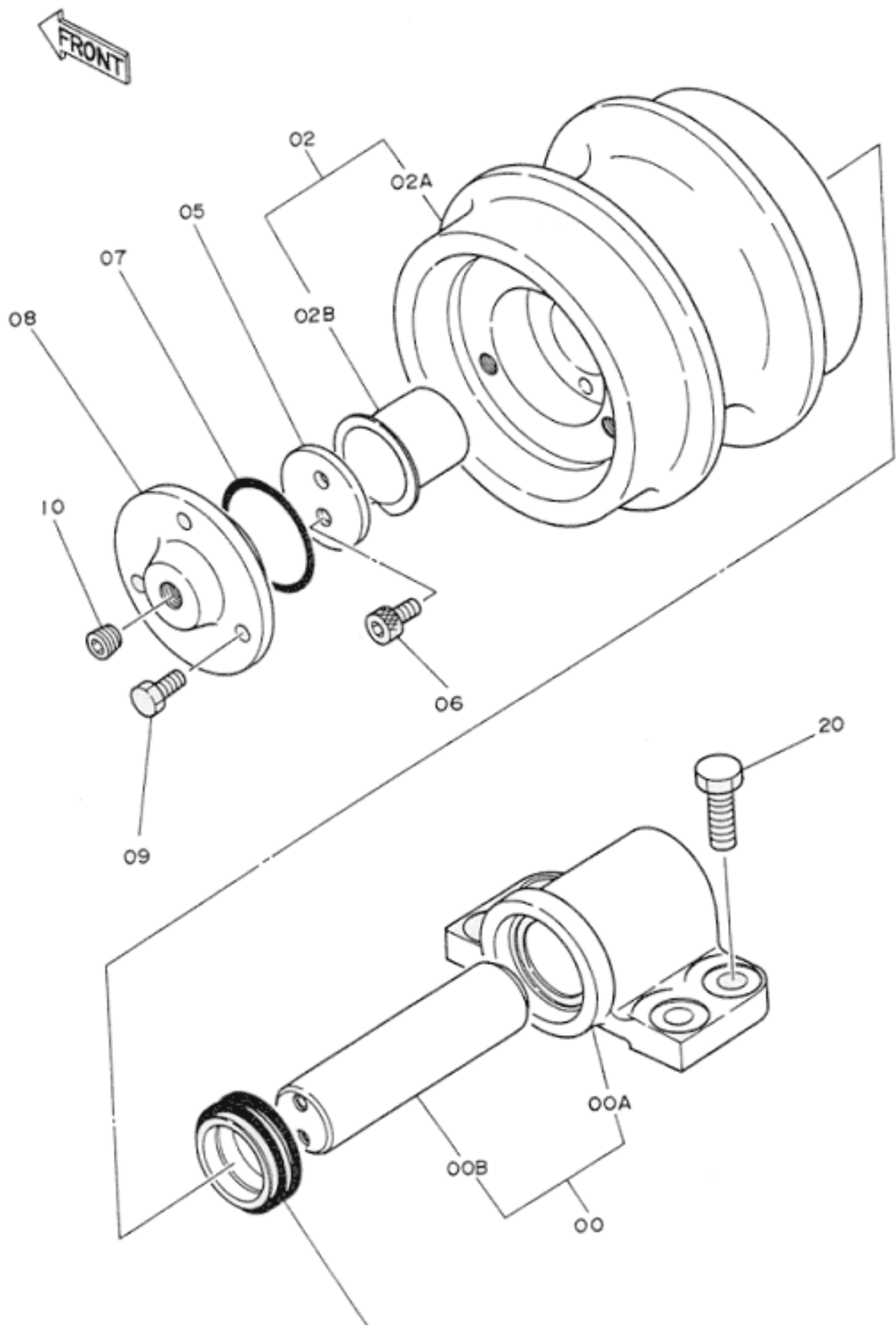
Hydraulic Pump Drive Gearbox



ITEM	PART NO.	PART NAME
01-73	9065879	PUMP;DOUBLE ASS'Y

08	4109378	HOSE;RUBBER
09	4507397	CLAMP;HOSE
10	4152705	CLAMP;HOSE
16	4193813	HOSE
17	4193875	HOSE
18	4085560	FLANGE;SPLIT
19	966993	O-RING
21	M341245	BOLT;SPROCKET
26	4178811	VALVE;CONTROL
26	4224900	VALVE;CONTROL
29	J901635	BOLT
30	A590916	WASHER;SPRING
32	2021682	MANIFOLD
33	M341060	BOLT;SOCKET
34	M341022	BOLT;SOCKET
35	A811040	O-RING
37	4188628	RING
38	991721	RING;RETAINING
39	4172821	VALVE
40	4098558	HOSE;RUBBER
41	4156850	CLAMP;HOSE
42	4504491	CLAMP;HOSE
43	9727905	PIPE;RETURN
43	9728574	PIPE;RETURN
44	M341036	BOLT;SOCKET
45	A811045	O-RING
46	4204728	PIPE;RETURN
47	8038644	PIPE;RETURN
48	4080206	HOSE;RUBBER
49	4505385	CLAMP;HOSE
50	4159683	CLAMP;HOSE
51	8038789	PIPE;RETURN
52	4202625	VALVE
53	7016953	PIPE;RETURN
54	4069801	COUPLING
55	4053698	CLAMP;PIPE
56	J901270	BOLT

Top Roller



CLICK HERE TO **DOWNLOAD** THE COMPLETE MANUAL

- Thank you very much for reading the preview of the manual.
- You can download the complete manual from: www.heydownloads.com by clicking the link below



- Please note: If there is no response to CLICKING the link, please download this PDF first and then click on it.

CLICK HERE TO **DOWNLOAD** THE COMPLETE MANUAL