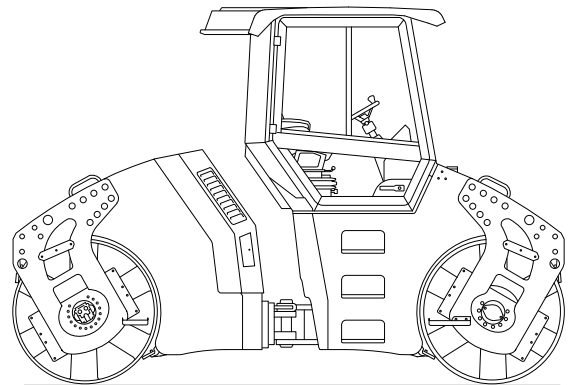


## Workshop manual

### **AV 70 X** Cummins



CLICK HERE TO **DOWNLOAD** THE COMPLETE MANUAL

- Thank you very much for reading the preview of the manual.
- You can download the complete manual from: [www.heydownloads.com](http://www.heydownloads.com) by clicking the link below



- Please note: If there is no response to CLICKING the link, please download this PDF first and then click on it.

CLICK HERE TO **DOWNLOAD** THE COMPLETE MANUAL

**SYMBOLS OF THE SAFETY NOTICES:**



The notice warns of a serious risk of personal injury or other personal hazards.



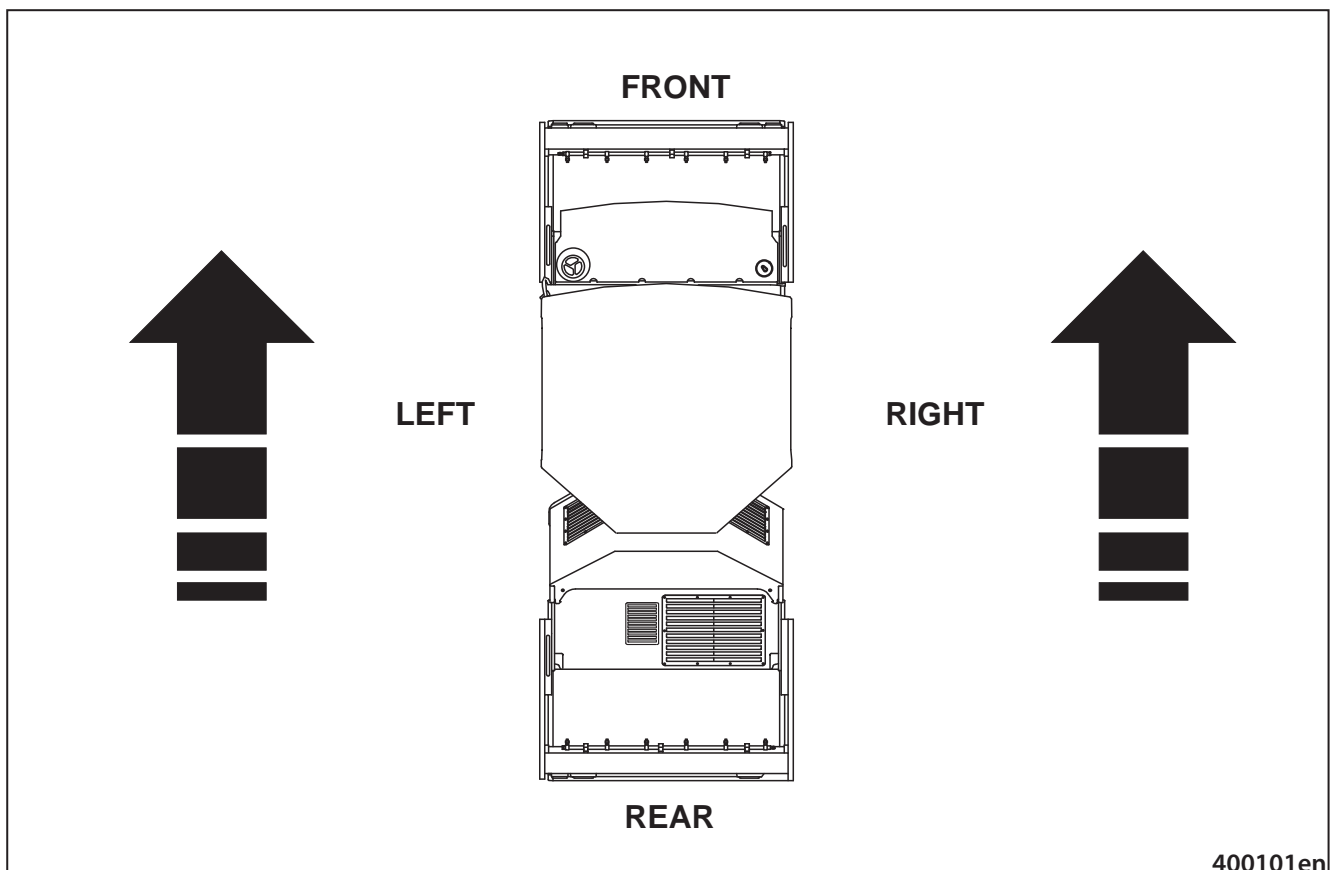
The notice warns of possible damages to the machine or its parts.



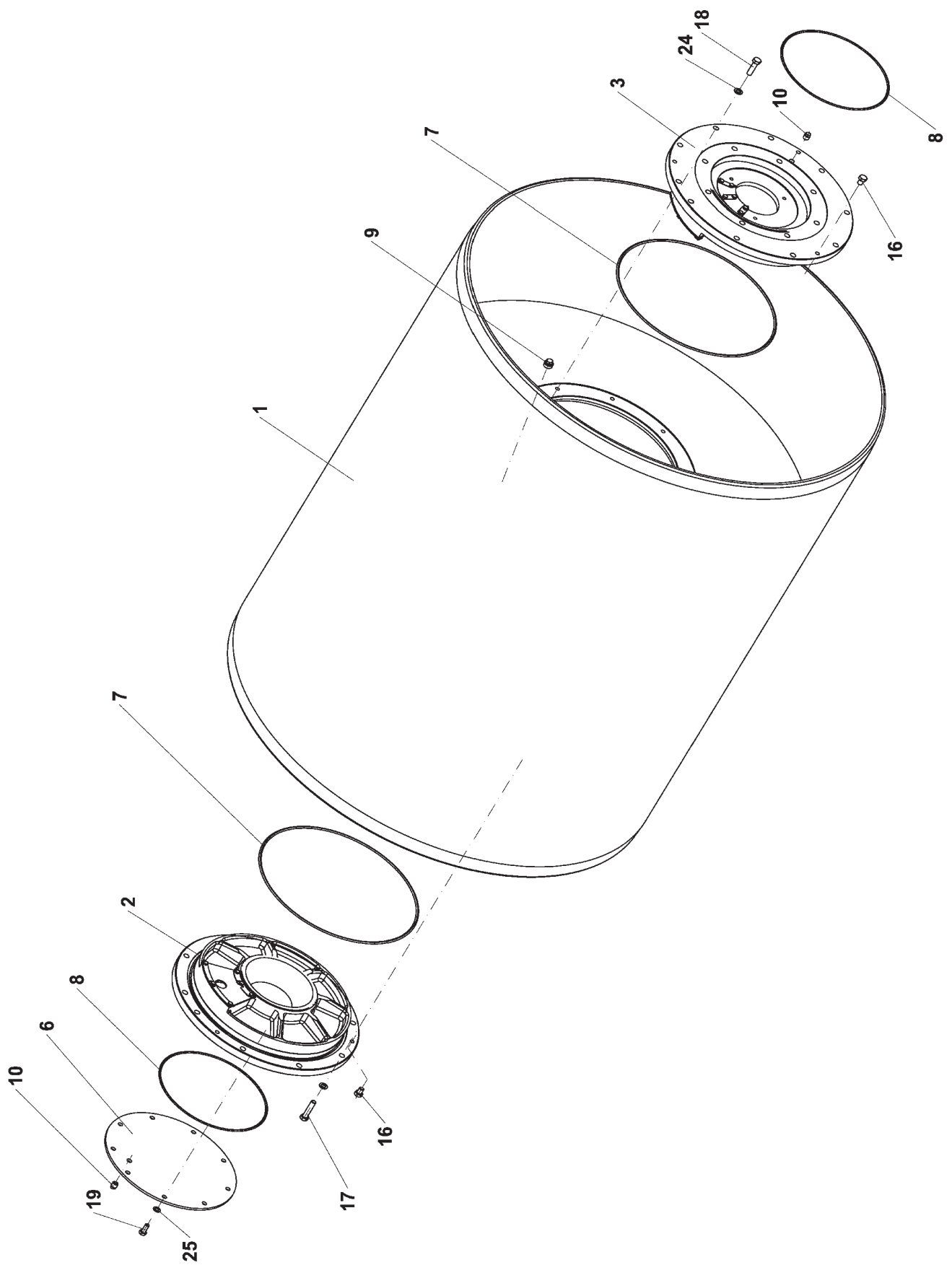
The notice warns of the necessity of environmental protection.

**! CAUTION !**

This Manual uses the terms like RH, LH, in the front, in the rear. These indicate the sides of the Machine viewed during forward drive.



## **3. Machine Description**

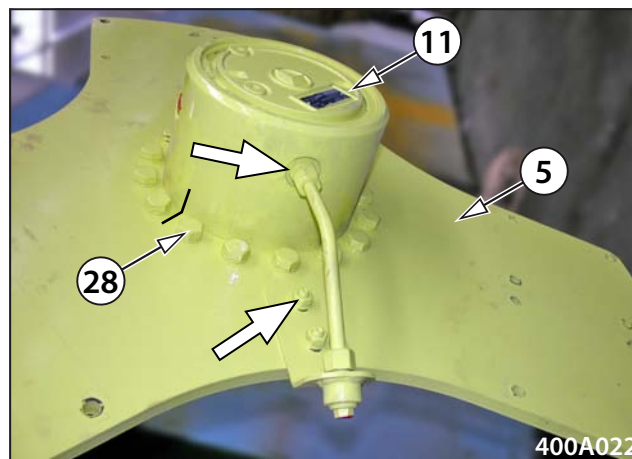


4-10201A

Remove oil filler and drainer, mark the position and remove bolts used to mount aux. transmission 11 to carrier 5, take off the carrier.

**Note**

When reinstalling, please clean contact surfaces, tighten bolts 28 with 200 Nm torque.




**4.4. Remove front drum**

The removal procedure is identical for front drum and rear drum.

Use hand jack to lift a bit the Machine on its LH side and RH side so the drum contacts lightly the ground, put under the supports of sufficient loading capacity.

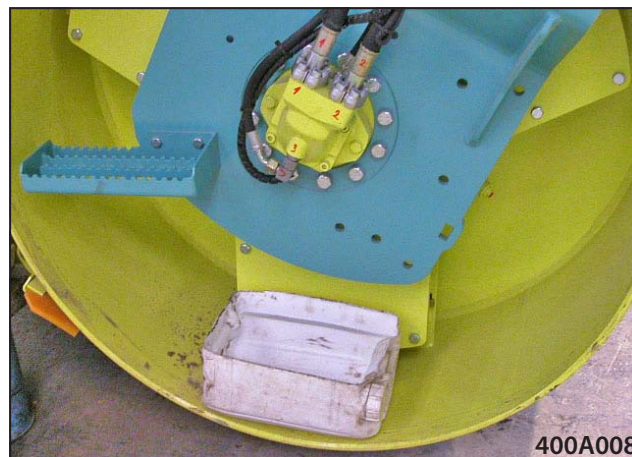
Mark drum position, on both sides for reinstallation purposes.

**RH side:**



**Put oil pan under hydromotor.**

Disconnect revolution sensor pickup connector.



Release locking sheet 16.

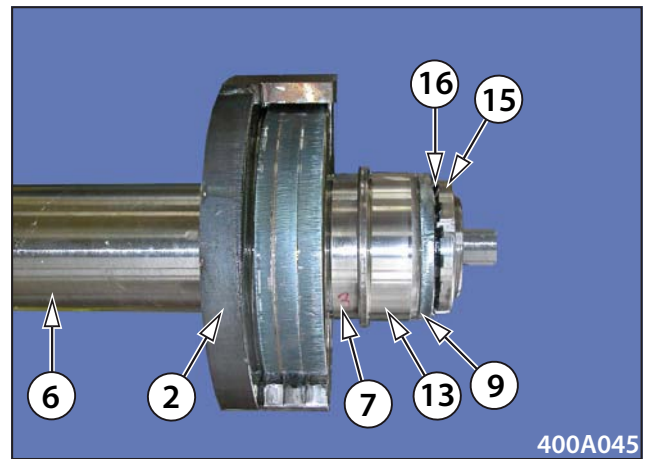
Use fixture No. 5 to remove KM nut 15.

Use puller to pull down inner ring for bearing 13 and ring 9.

Take off rings 7.

**Note**

Vibrator, i.e. shaft 6 complete with eccentrics 1, 2, is one-piece unit.



**RH side**

Release locking sheet 16.

Use fixture No. 5 to remove KM nut 15.

Use puller to pull down inner ring for bearing 13 and ring 9.

Take off rings 7.

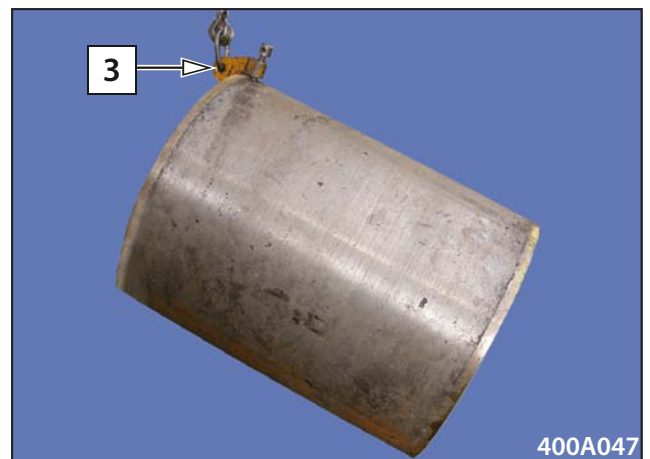
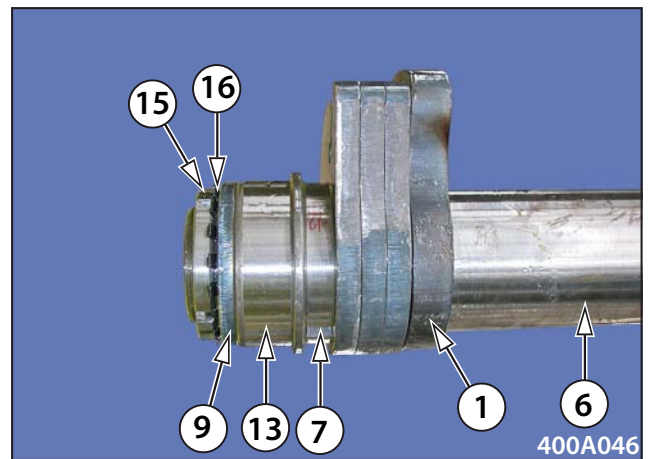
**Note**

Vibrator, i.e. shaft 6 complete with eccentrics 1, 2, is one-piece unit.

When reinstalling cover assembly (drum is erected – aux. transmission for drive 11 down) ram the vibrator into the bearing in the cover 2, install cover 3 incl. bearing 13, screw lifting lug into the thread and pull the vibrator to check axial clearance of 3 mm.

**Remove RH side – drive of travel**

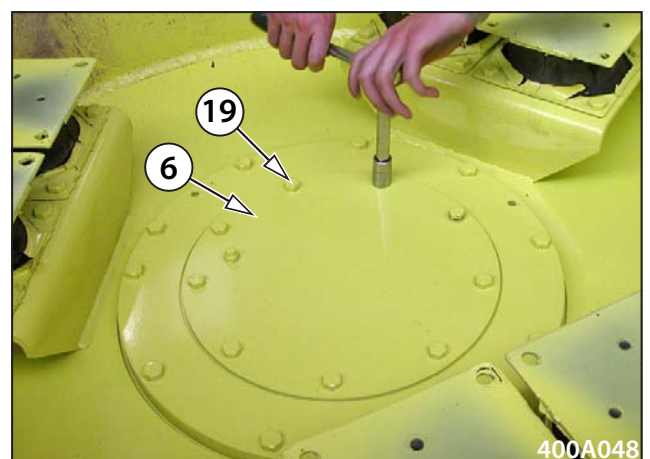
Fasten the clamp (fixture No. 3) of 2000 kg (4410 lb) loading capacity. Hang onto the crane, and erect drum with its LH side onto the ground.



Remove screws 19 used to fix cover 6.

**Note**

When reinstalling, please clean contact surfaces. We recommend packing rings to be replaced. Check position of cover 6 against holes for screws 19. Use loctite 262 to cement screws 19, tighten with 48Nm torque.



Disconnect cabin connector.



Mark and remove cabin earth connection.

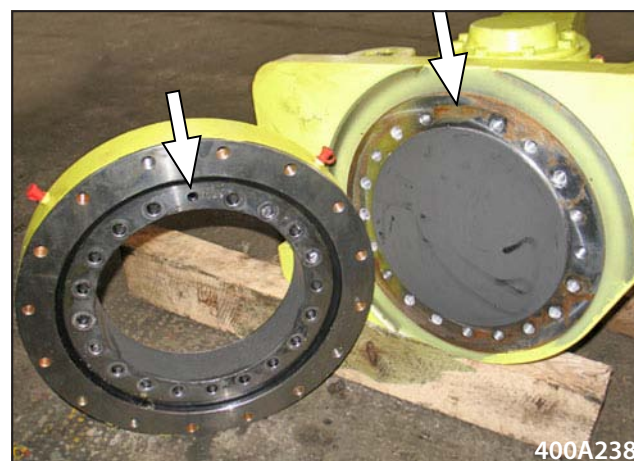


Remove accelerator control cable.



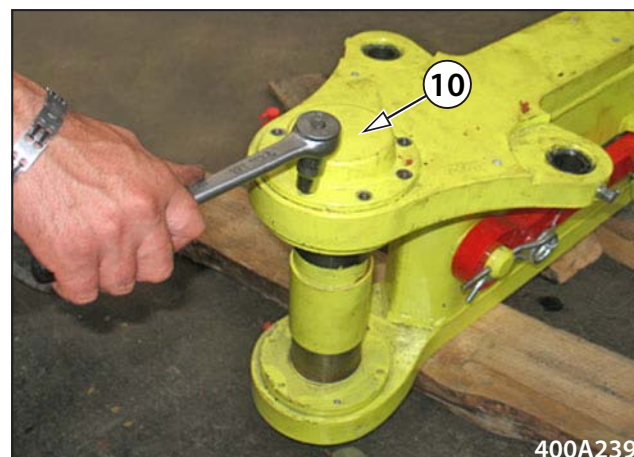
**Note**

When reinstalling, please position the hole against the gap on the slewing ring. Fill bearing with grease via four lubricating points.



**5.3. Remove steering joint bearings**

Remove cover 10.



Unlock KM nut 35.



CLICK HERE TO **DOWNLOAD** THE COMPLETE MANUAL

- Thank you very much for reading the preview of the manual.
- You can download the complete manual from: [www.heydownloads.com](http://www.heydownloads.com) by clicking the link below

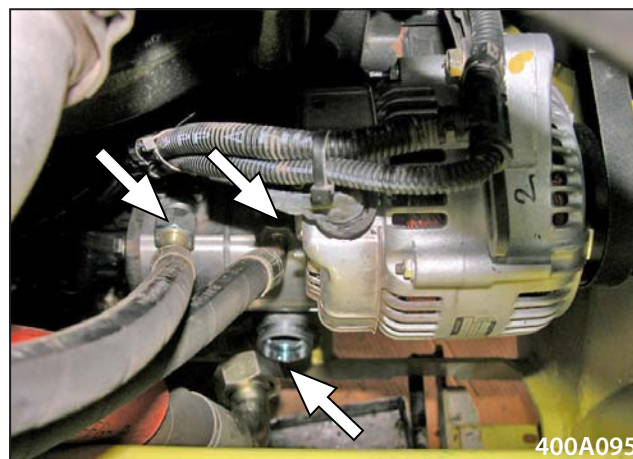


- Please note: If there is no response to CLICKING the link, please download this PDF first and then click on it.

CLICK HERE TO **DOWNLOAD** THE COMPLETE MANUAL

**6.2. Remove gear pump for steering**

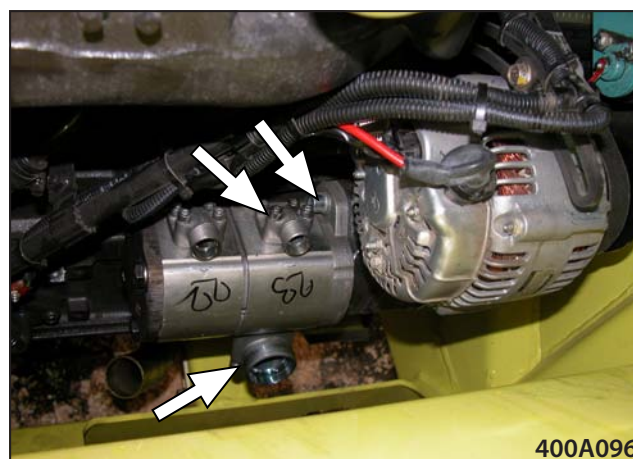
Mark and remove hose pipes.



Remove flanges. Remove bolts for the mount. Shift out the pump.

**Note**

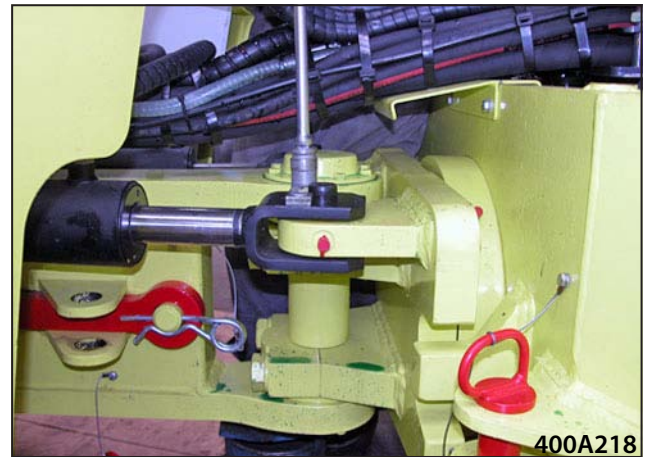
We recommend packing ring to be replaced.



### 7.1. Remove hydraulic cylinders for steering and CRAB

Remove packing pieces 19.

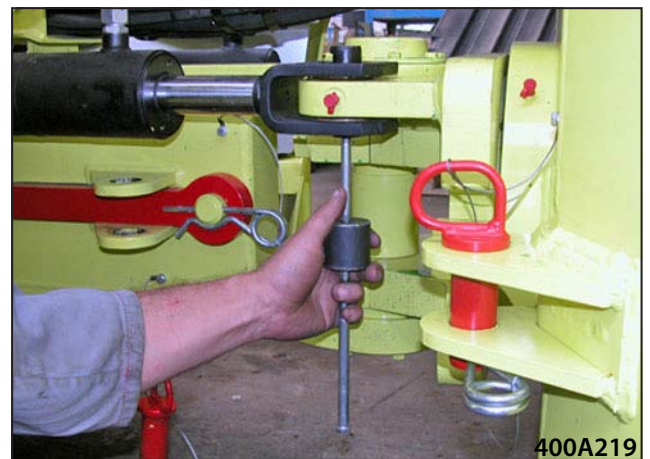
- Rear one



- Front one



Press out pins for hydraulic cylinder eyes. Take out hydraulic cylinder for steering from the brackets.

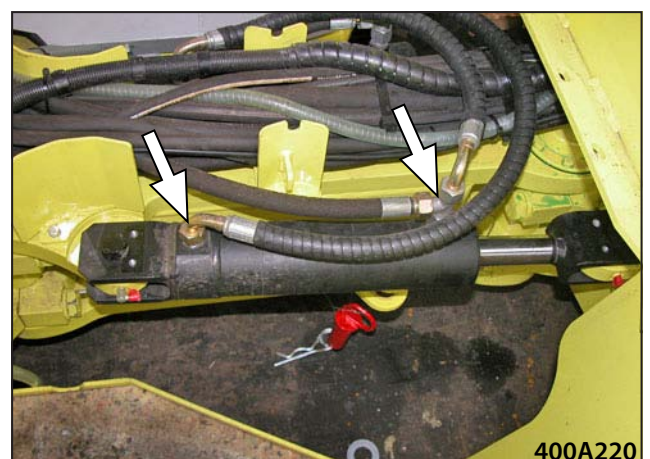


Mark and remove hydraulics hose pipe connection.

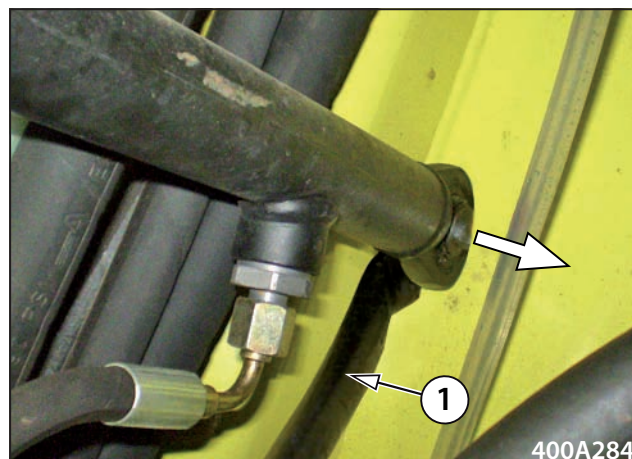
Proceed in the same way with CRAB hydraulic cylinder.

**Note**

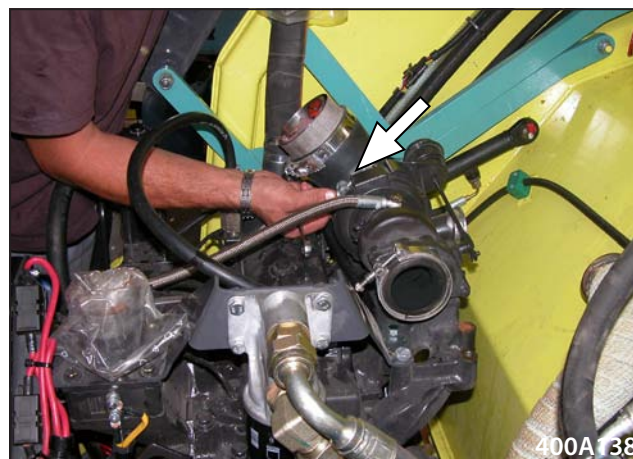
Removal is required only for hydraulic cylinders that require to be repaired or replaced.



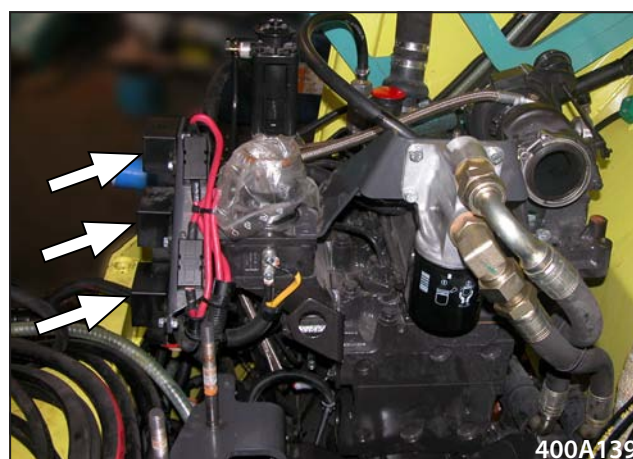
Use lever 1 to slip out carefully hydraulic cylinder from the pin.  
Remove hose pipe from hydraulic cylinder.



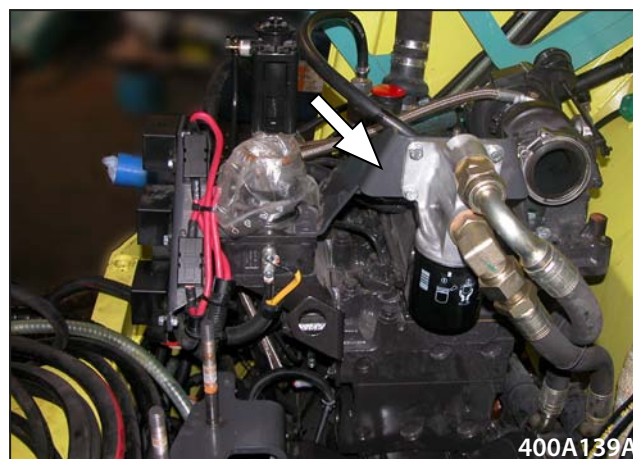
Remove flange for turbo charger.



Disconnect wiring for contactors of glowing and starter motor.



Remove oil filter holder, lift it off.



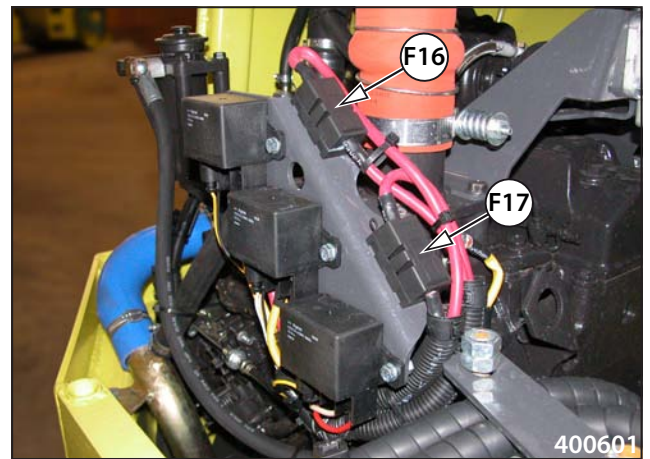
# 11. Cabin

**Note**

Replace variable speed unit on RH side control panel in the same way.



F16, F17 - 125A engine glowing



## Cabin fuse

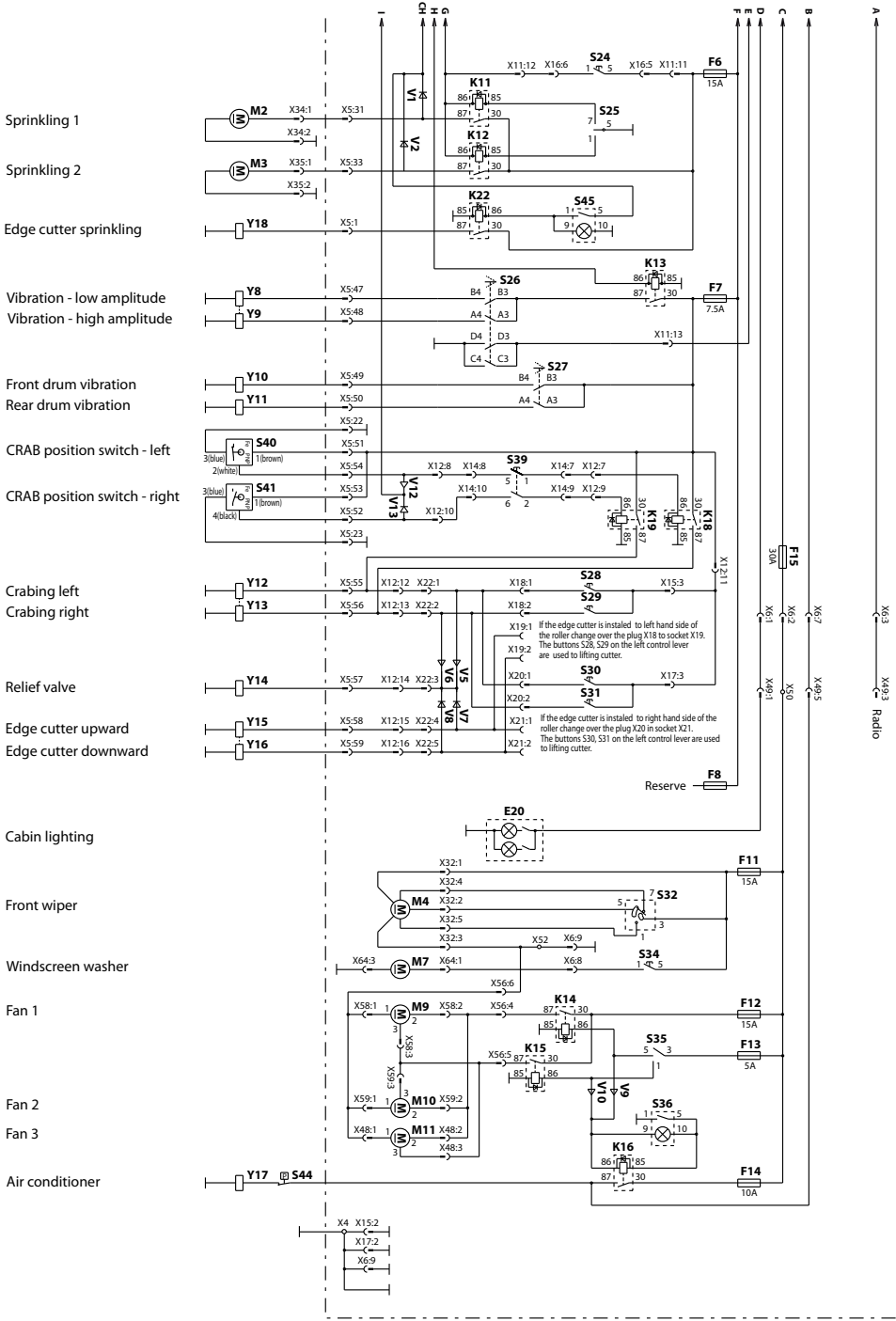
F15 - 30 A cabin wiring



**Replace fuses only with fuses of identical value!**



## 13. Annexes



CLICK HERE TO **DOWNLOAD** THE COMPLETE MANUAL

- Thank you very much for reading the preview of the manual.
- You can download the complete manual from: [www.heydownloads.com](http://www.heydownloads.com) by clicking the link below



- Please note: If there is no response to CLICKING the link, please download this PDF first and then click on it.

CLICK HERE TO **DOWNLOAD** THE COMPLETE MANUAL