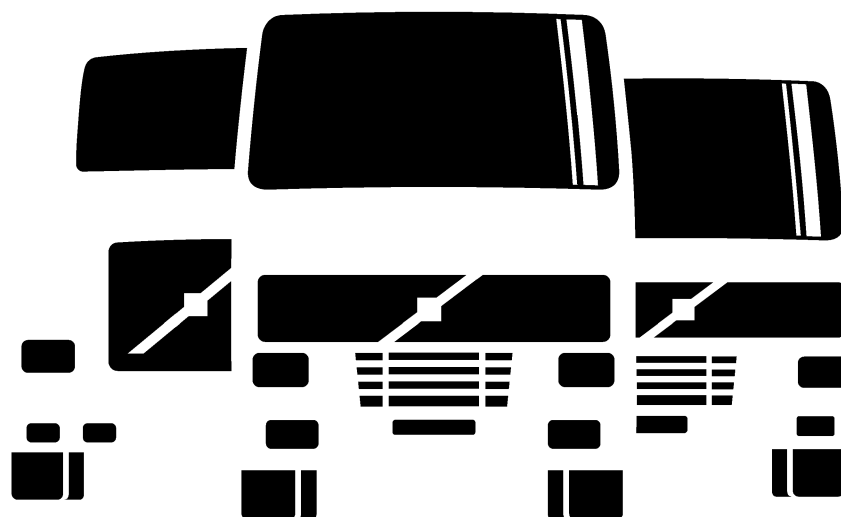


# Service Manual Trucks

Group **37**  
Release **03**

Wiring diagram  
FM, FH, NH12 VERSION2  
FM, FH CHID A622782–  
FM, FH CHID B433164–



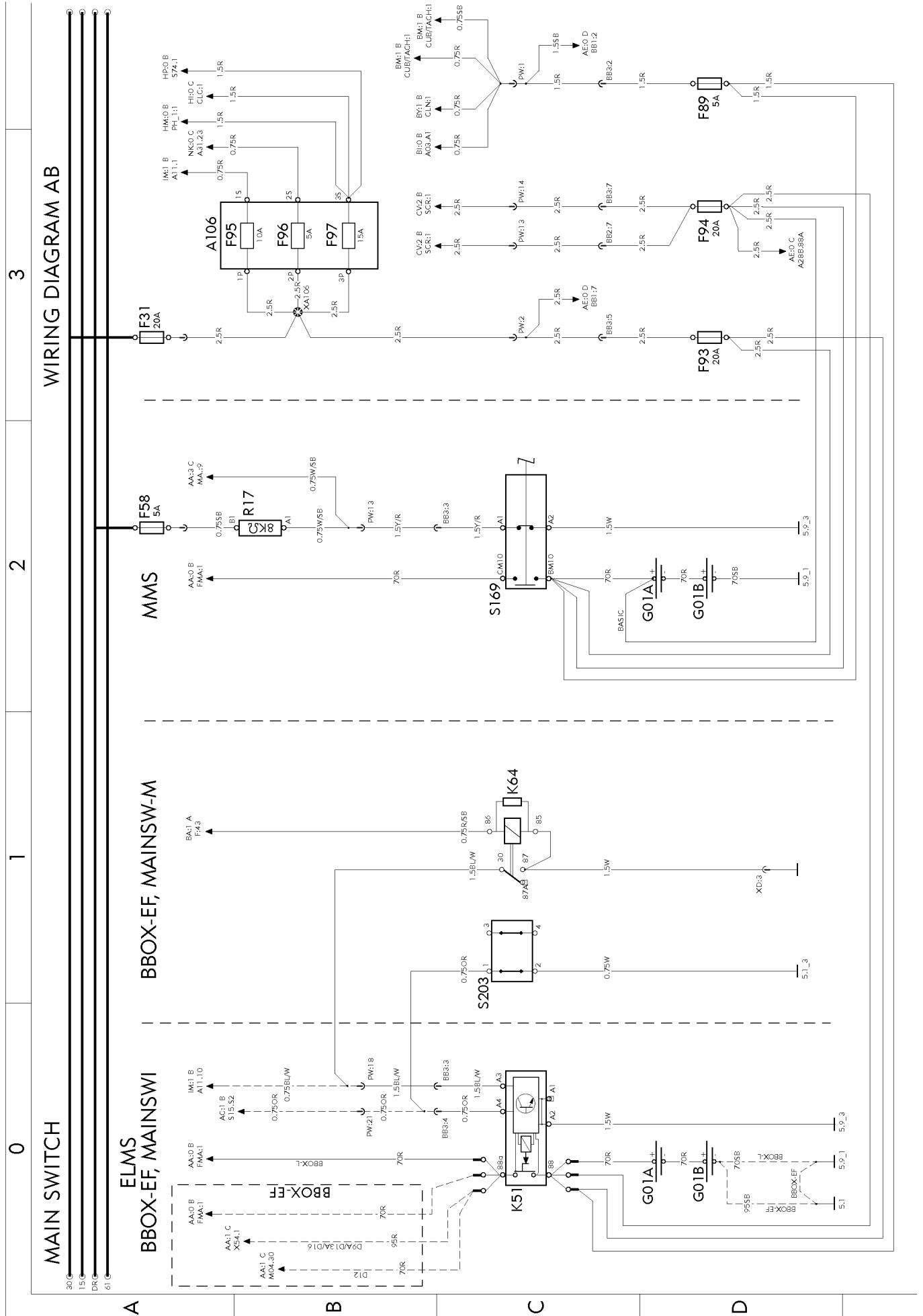
CLICK HERE TO **DOWNLOAD** THE COMPLETE MANUAL

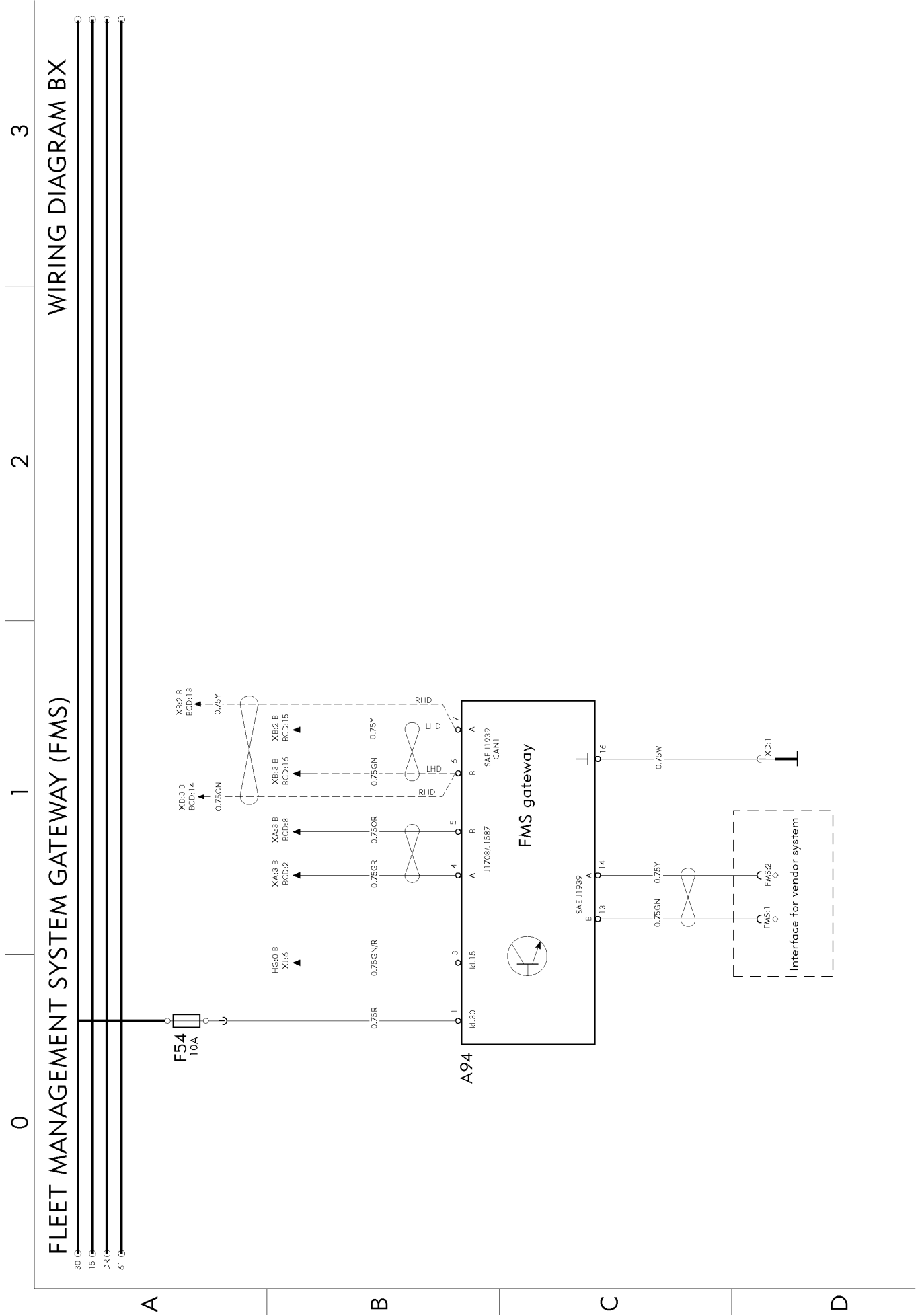
- Thank you very much for reading the preview of the manual.
- You can download the complete manual from: [www.heydownloads.com](http://www.heydownloads.com) by clicking the link below



- Please note: If there is no response to CLICKING the link, please download this PDF first and then click on it.

CLICK HERE TO **DOWNLOAD** THE COMPLETE MANUAL

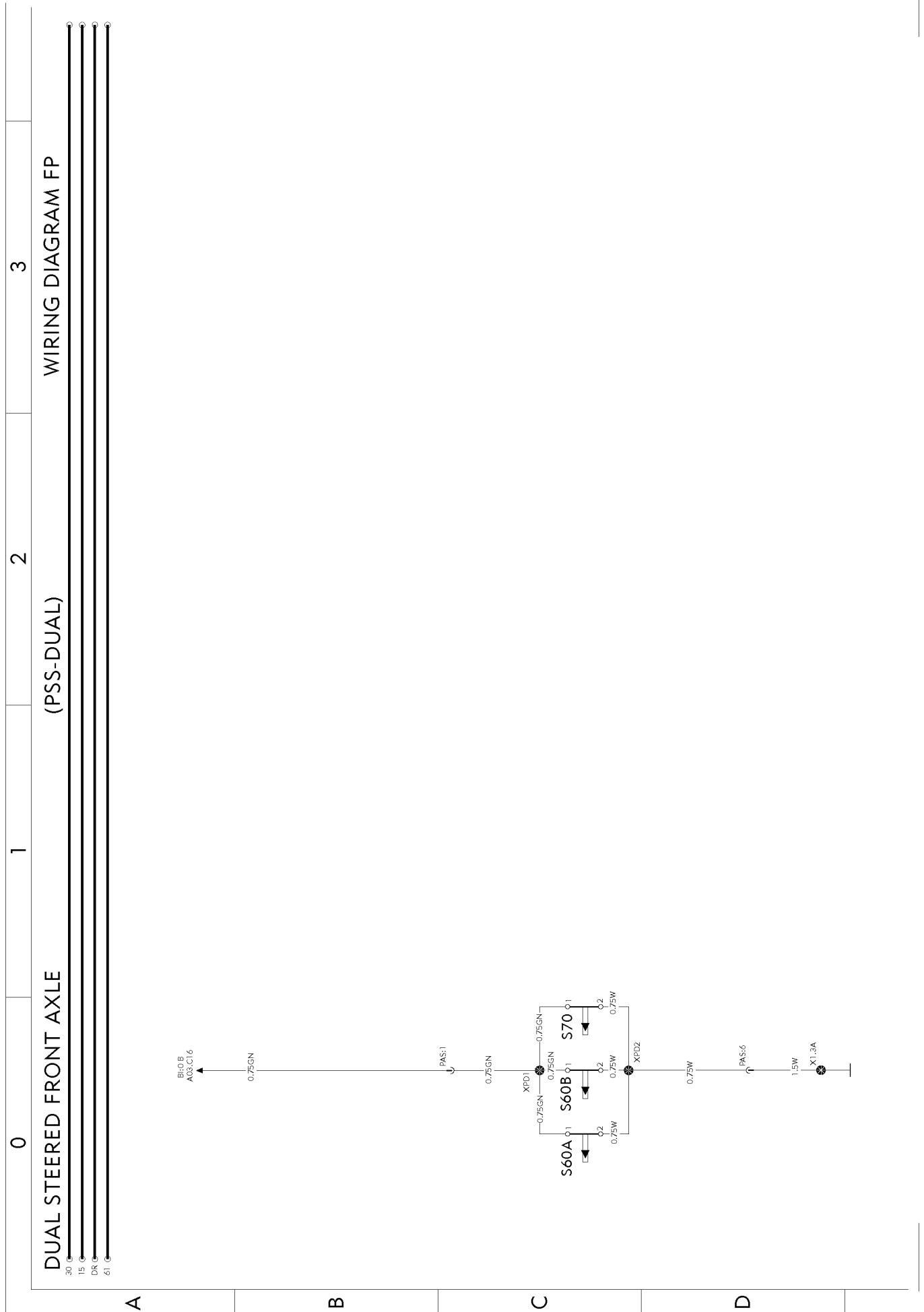






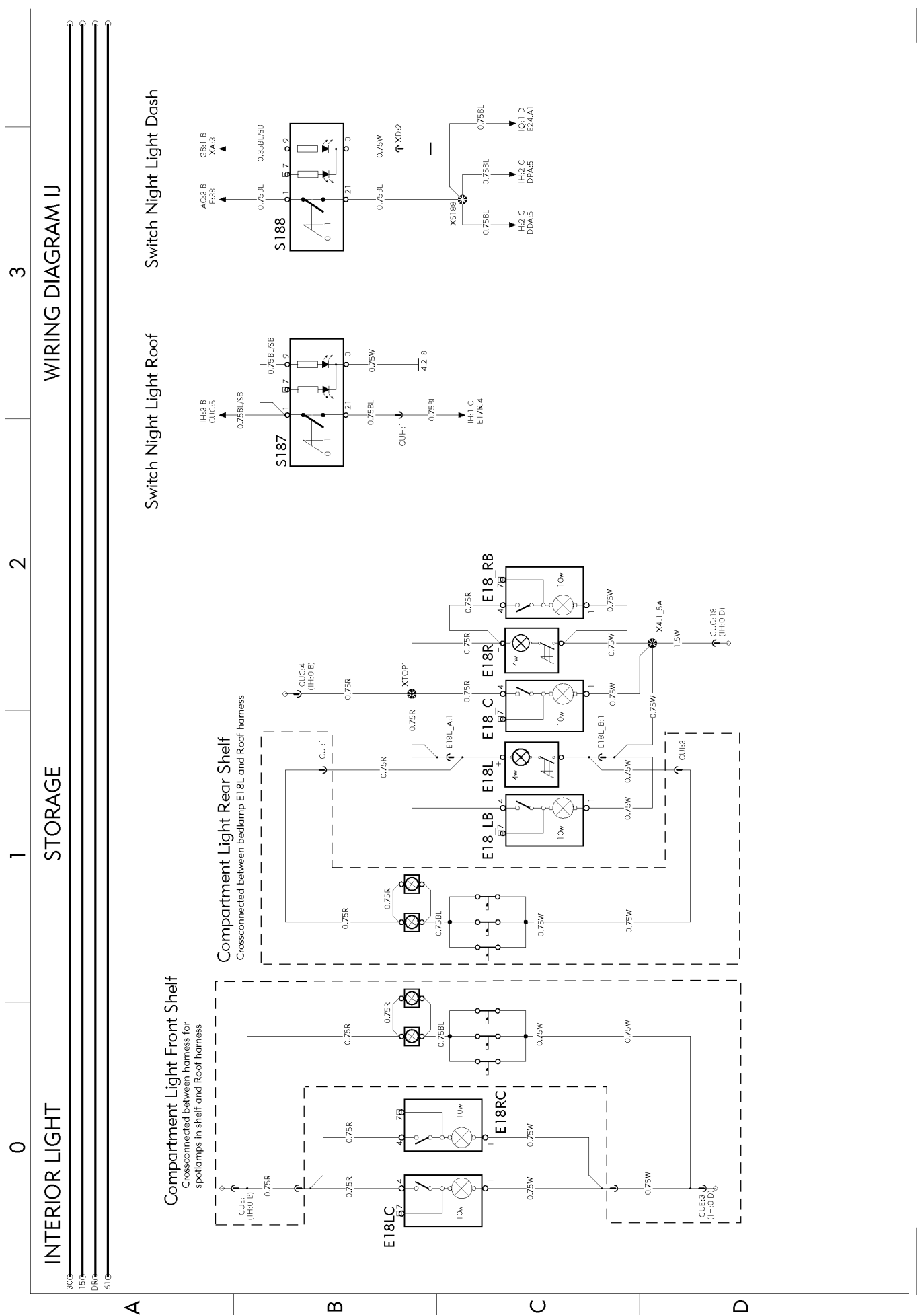


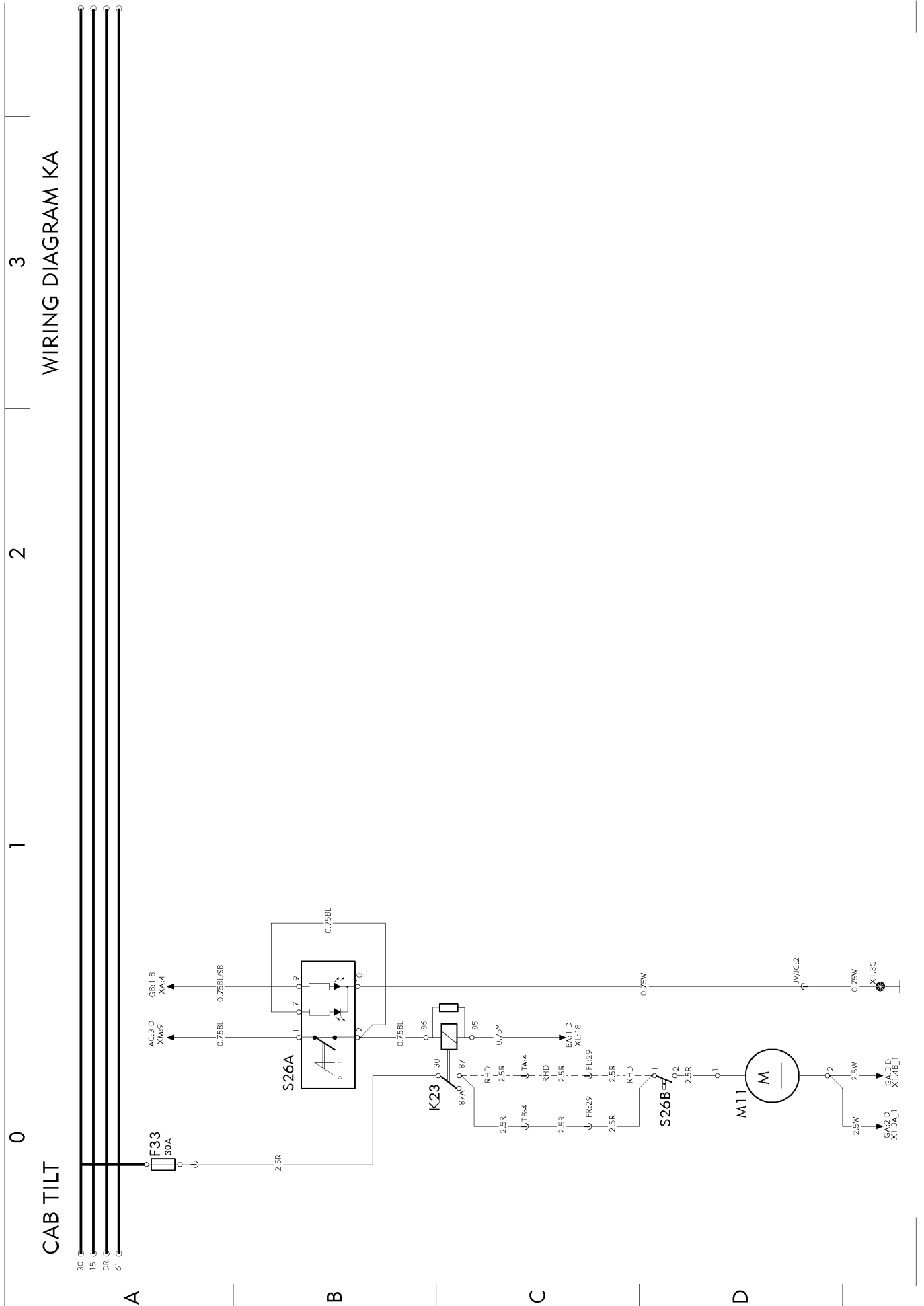














CLICK HERE TO **DOWNLOAD** THE COMPLETE MANUAL

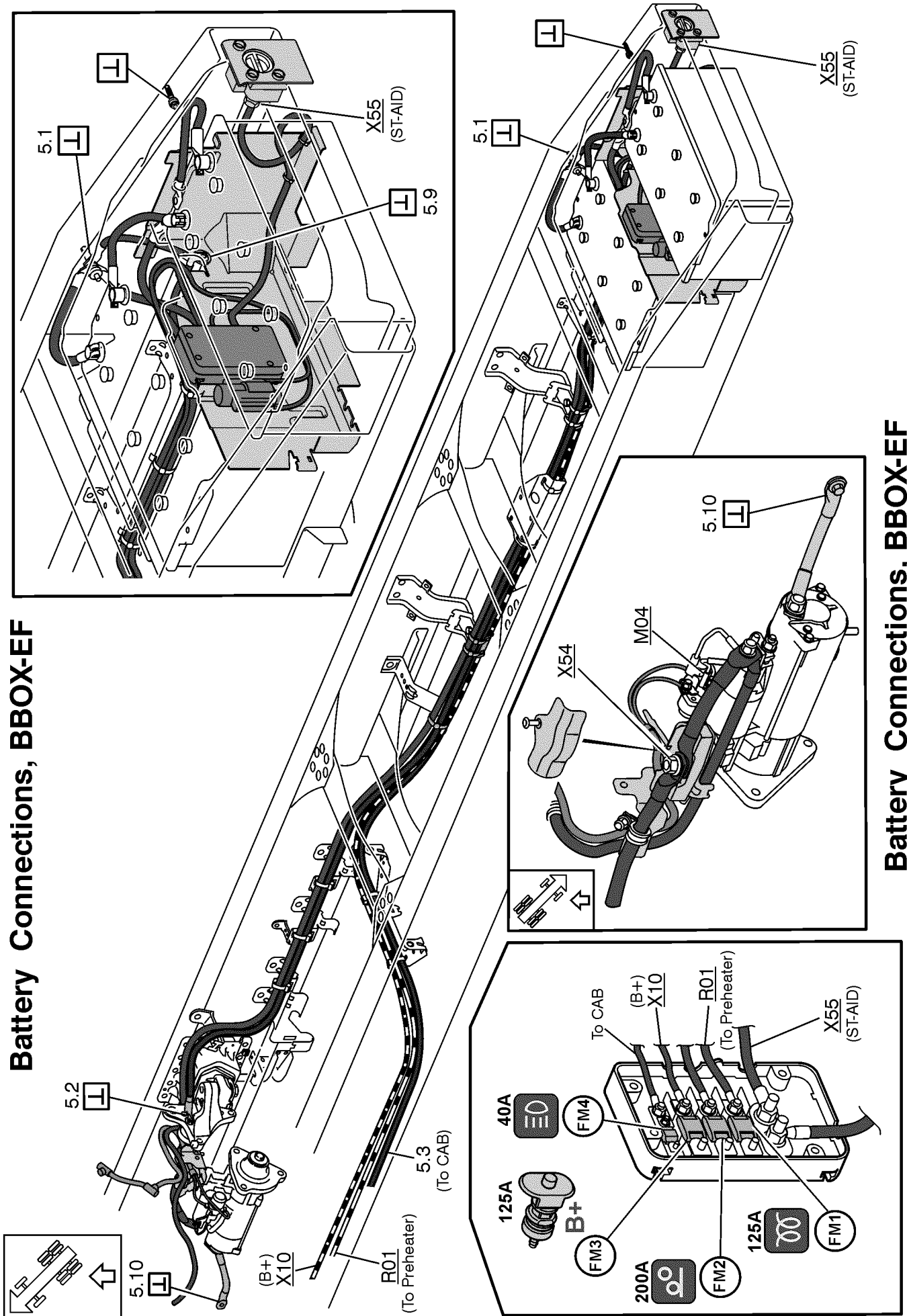
- Thank you very much for reading the preview of the manual.
- You can download the complete manual from: [www.heydownloads.com](http://www.heydownloads.com) by clicking the link below



- Please note: If there is no response to CLICKING the link, please download this PDF first and then click on it.

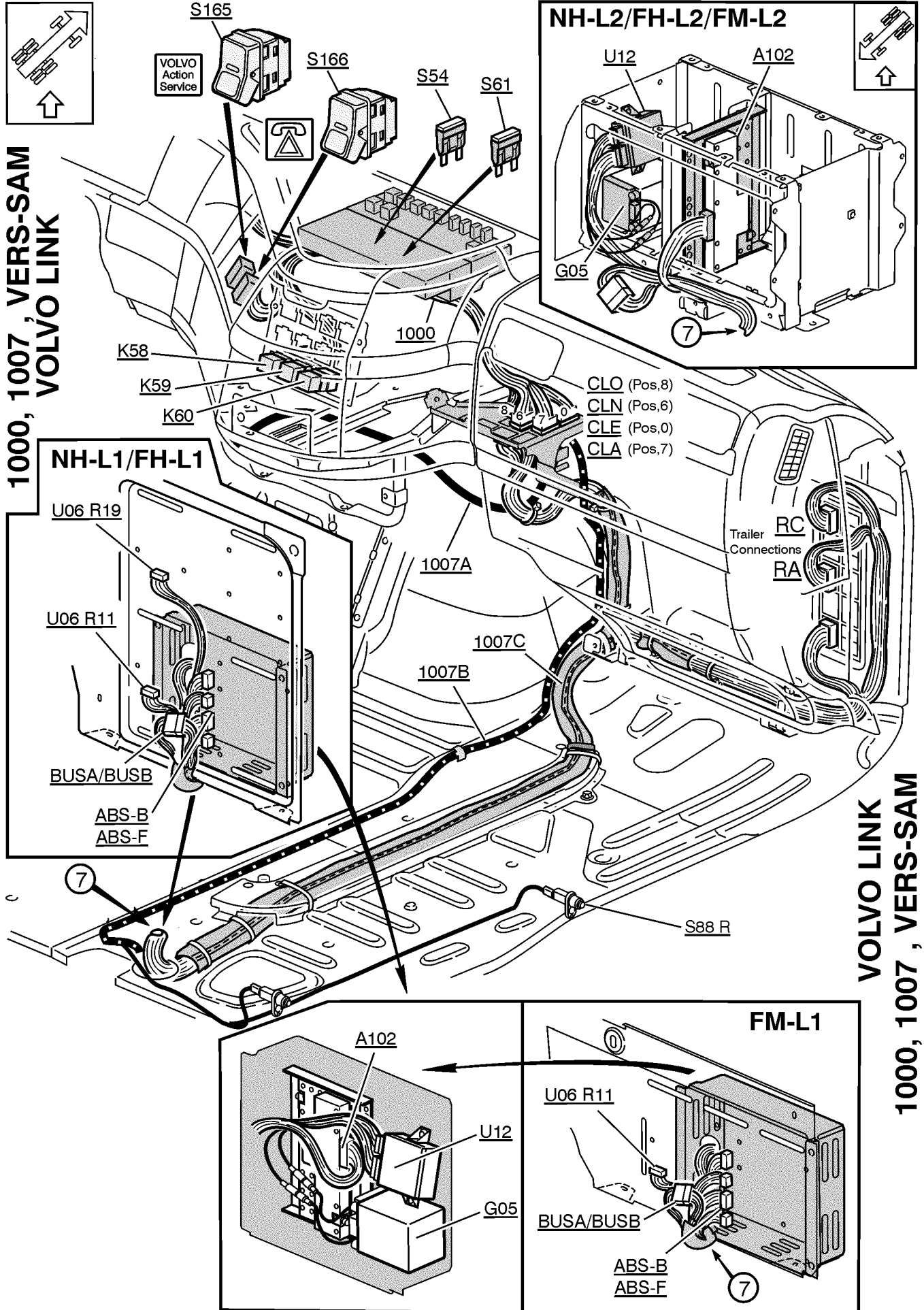
CLICK HERE TO **DOWNLOAD** THE COMPLETE MANUAL

# Battery Connections, BBOX-EF



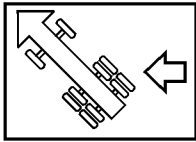
# Battery Connections, BBOX-EF



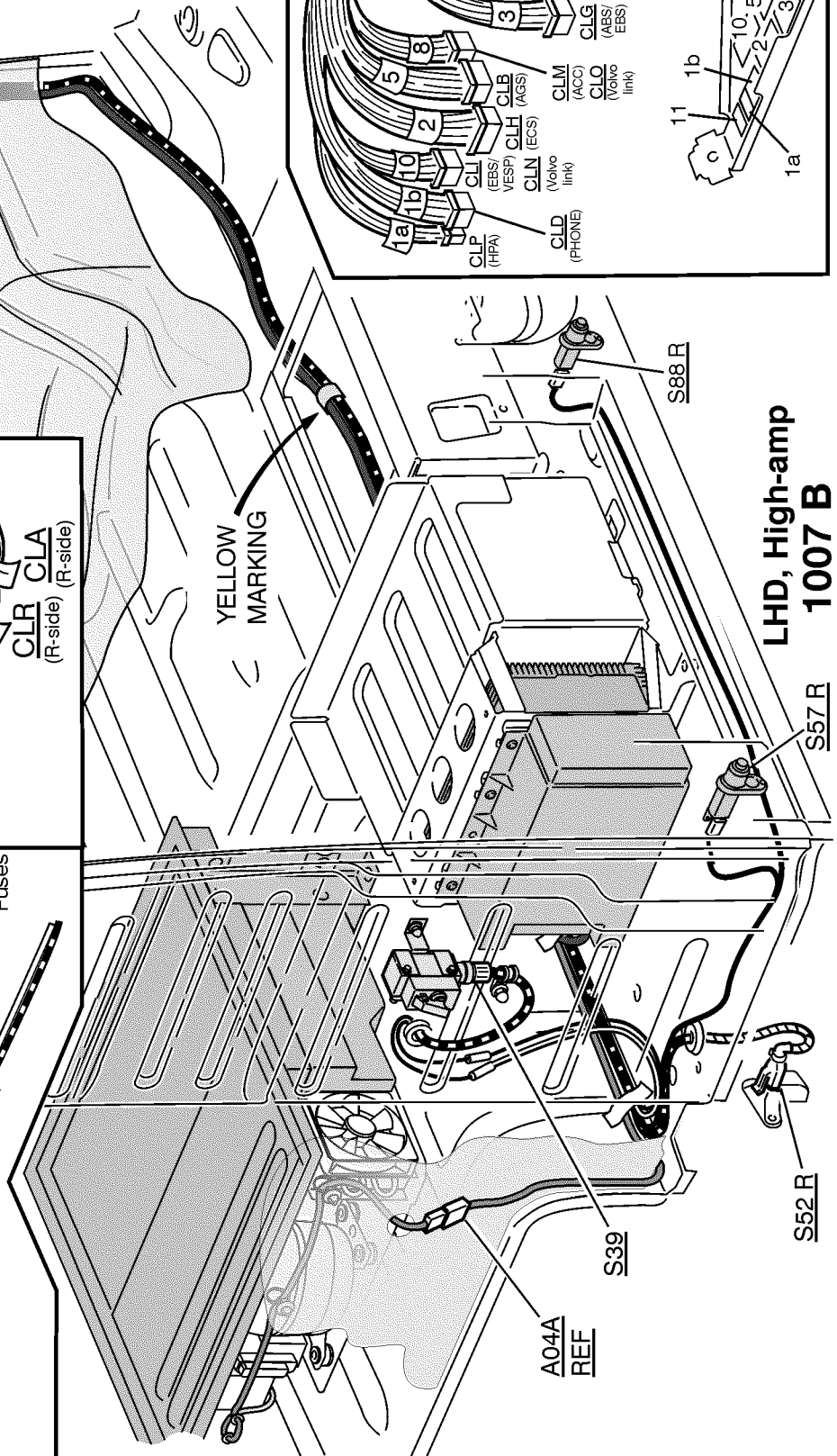
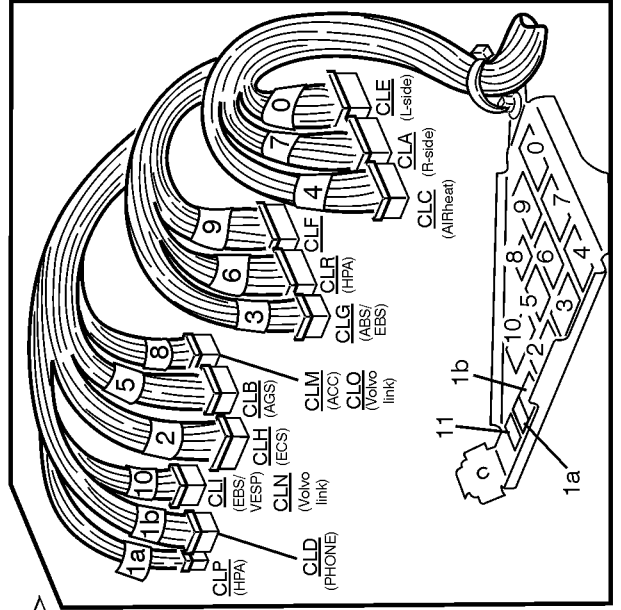
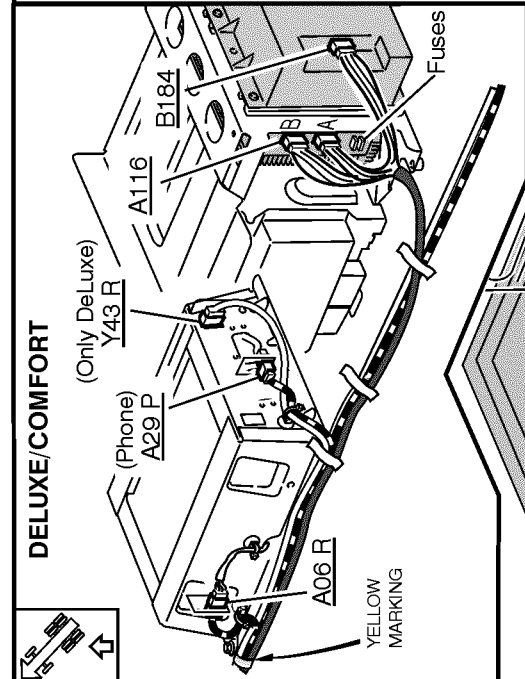
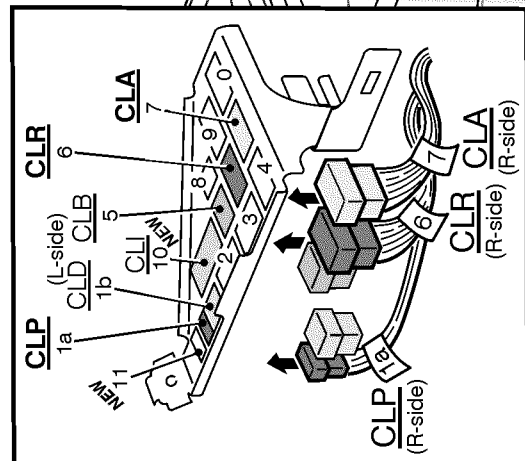


1000, 1007, VERS-SAM  
VOLVO LINK

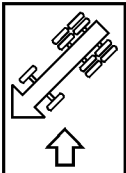
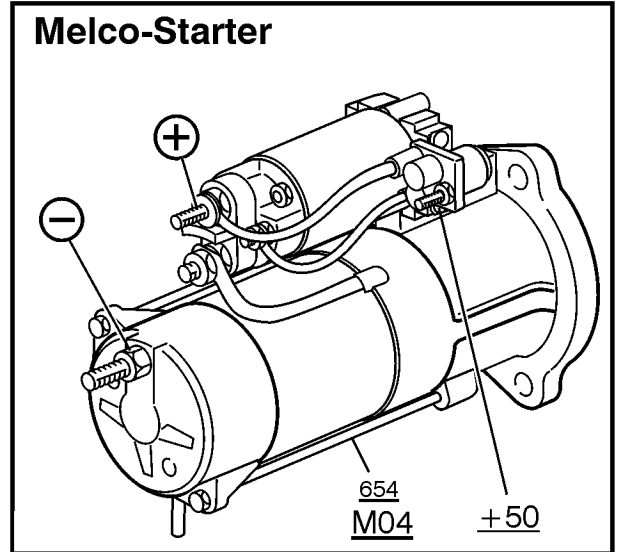
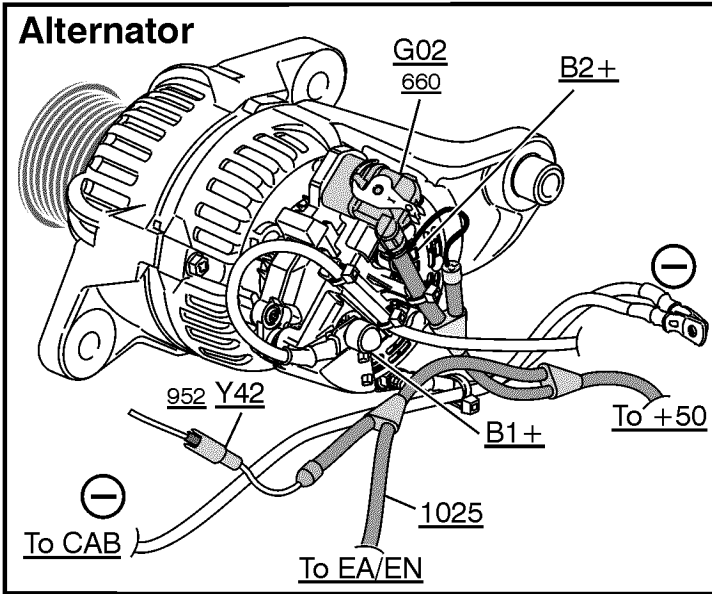
VOLVO LINK  
1000, 1007, VERS-SAM



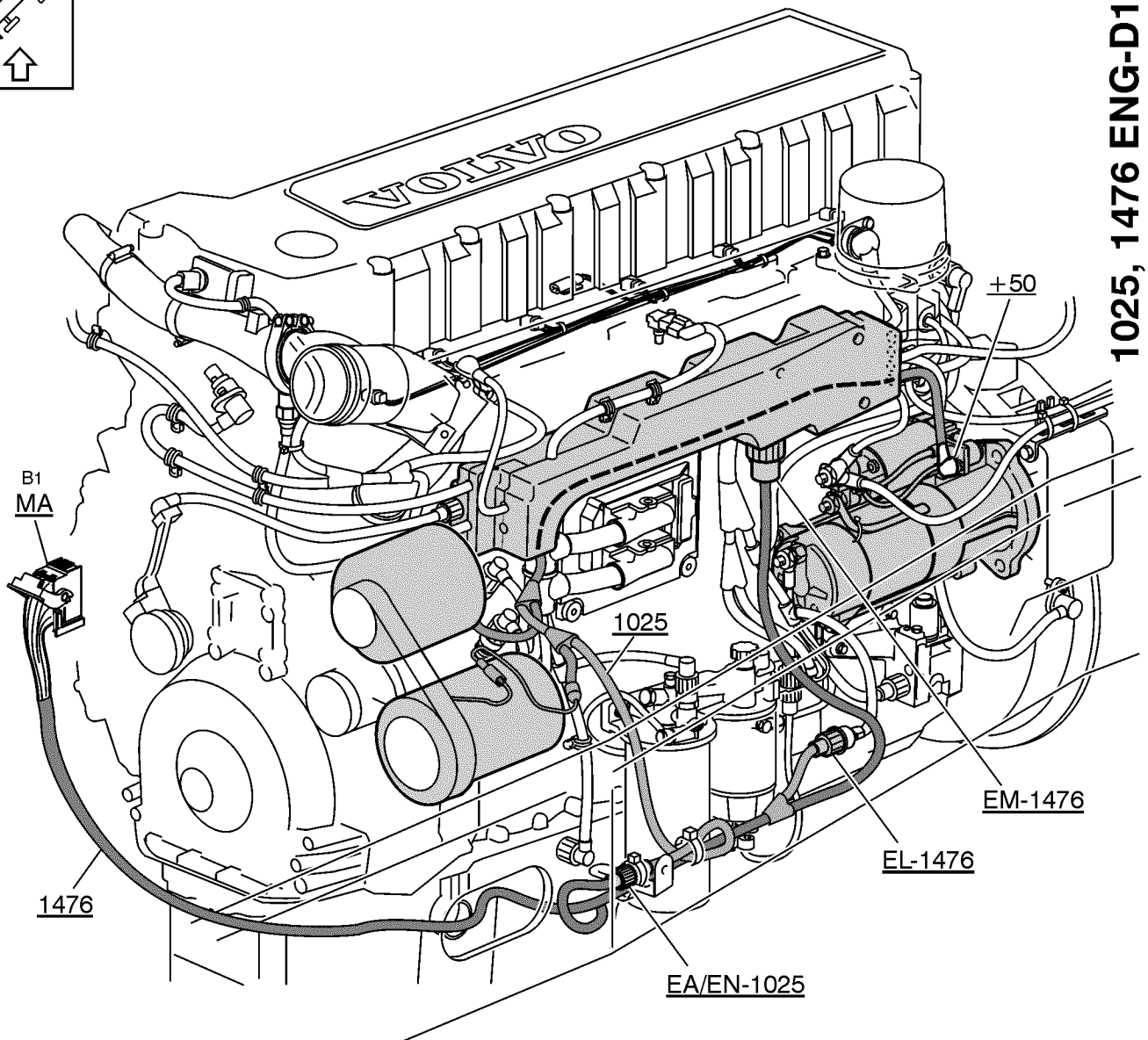
**1007 B**  
LHD, High-amp



**LHD, High-amp**  
**1007 B**



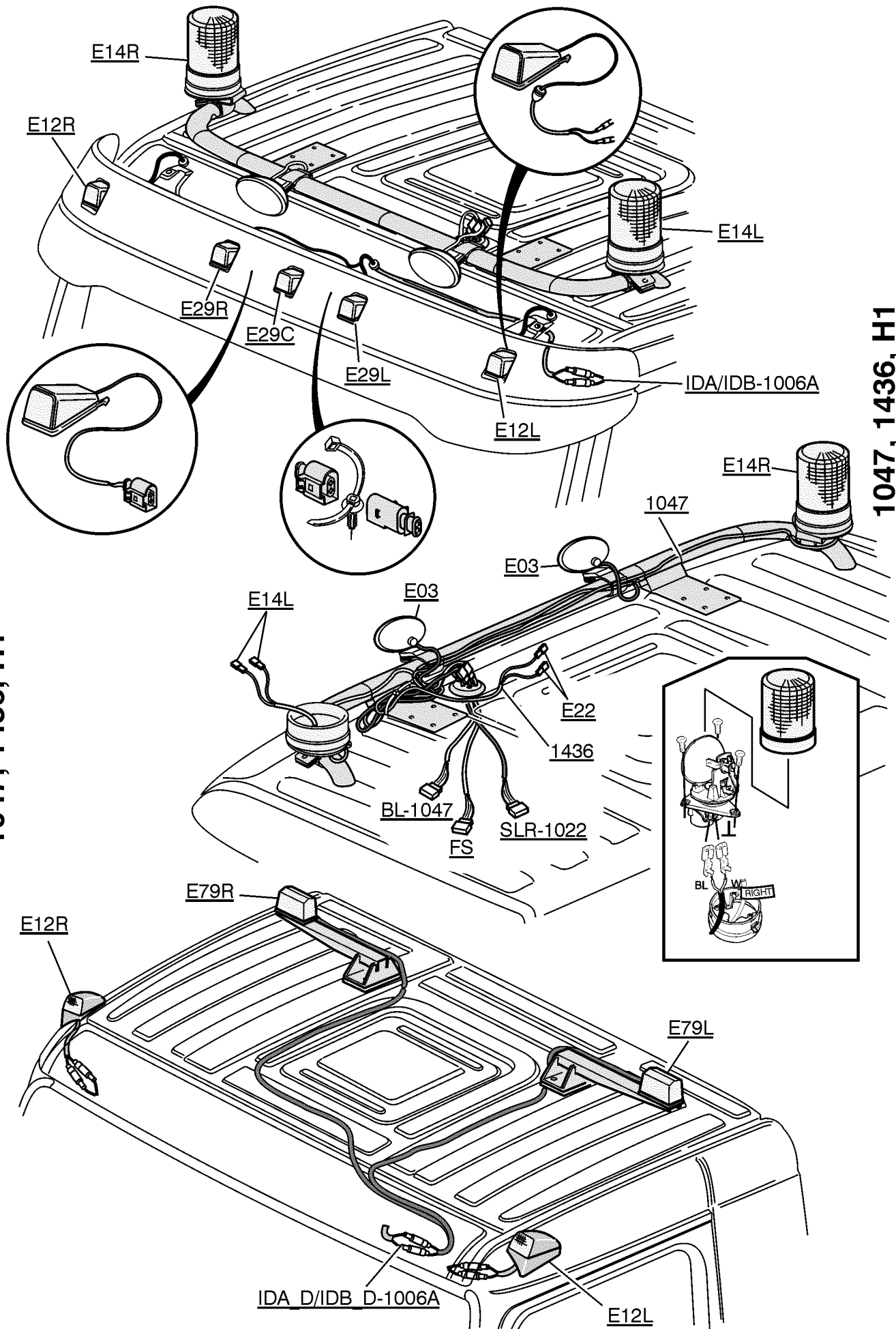
1025, 1476 ENG-D12F



1025, 1476 ENG-D12F

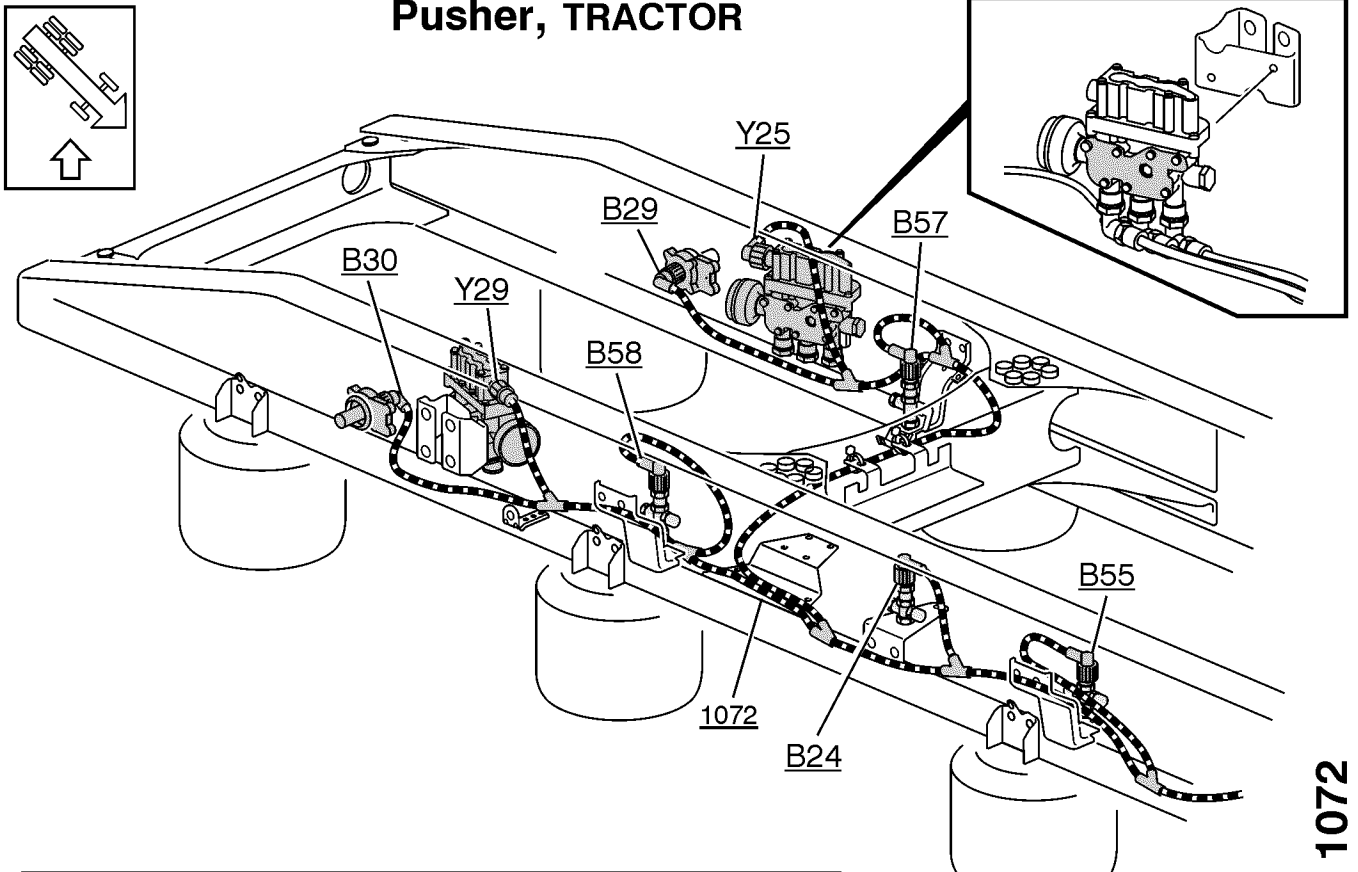
1047, 1436, H1

1047, 1436, H1



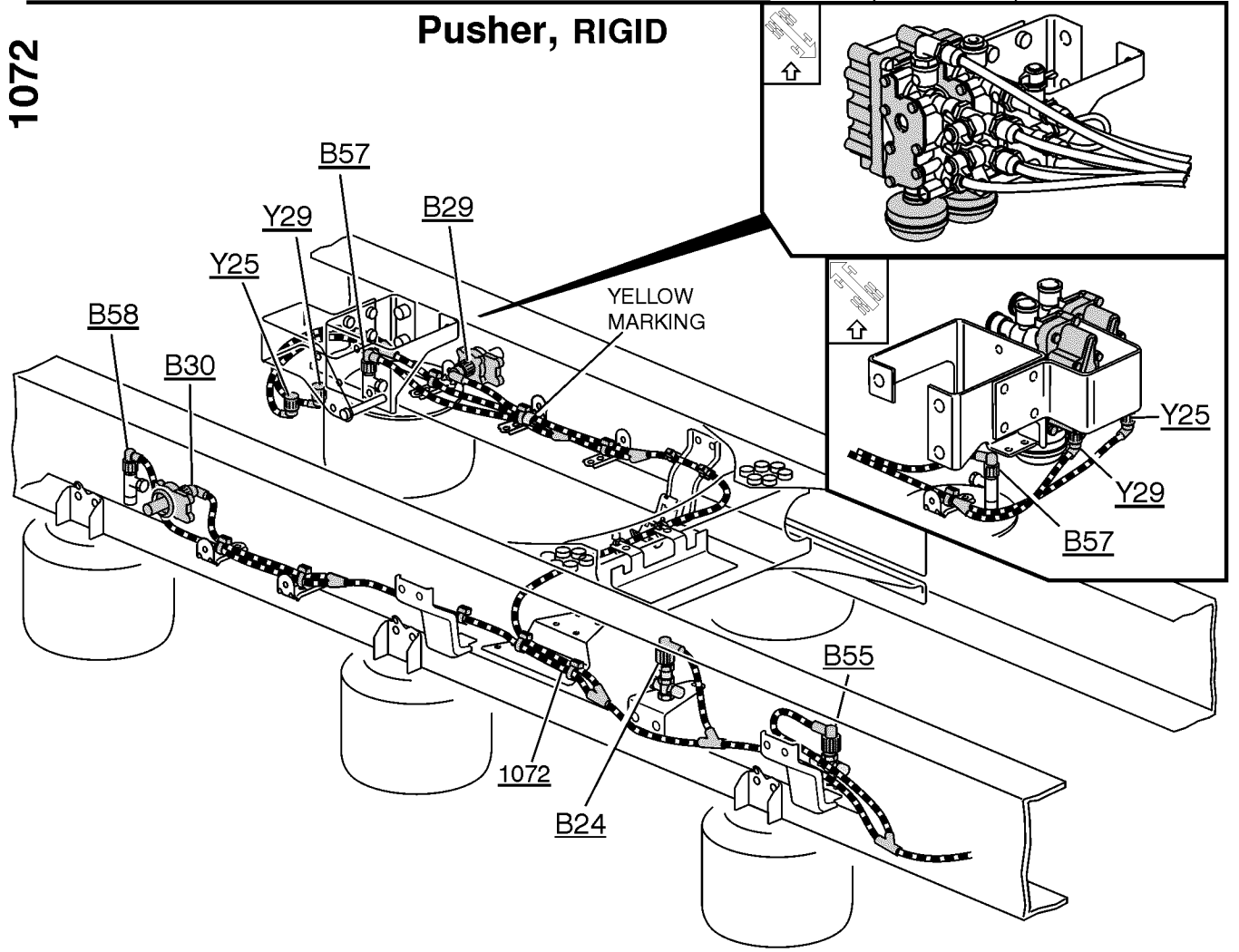
IDA D/IDB D-1006A

### Pusher, TRACTOR

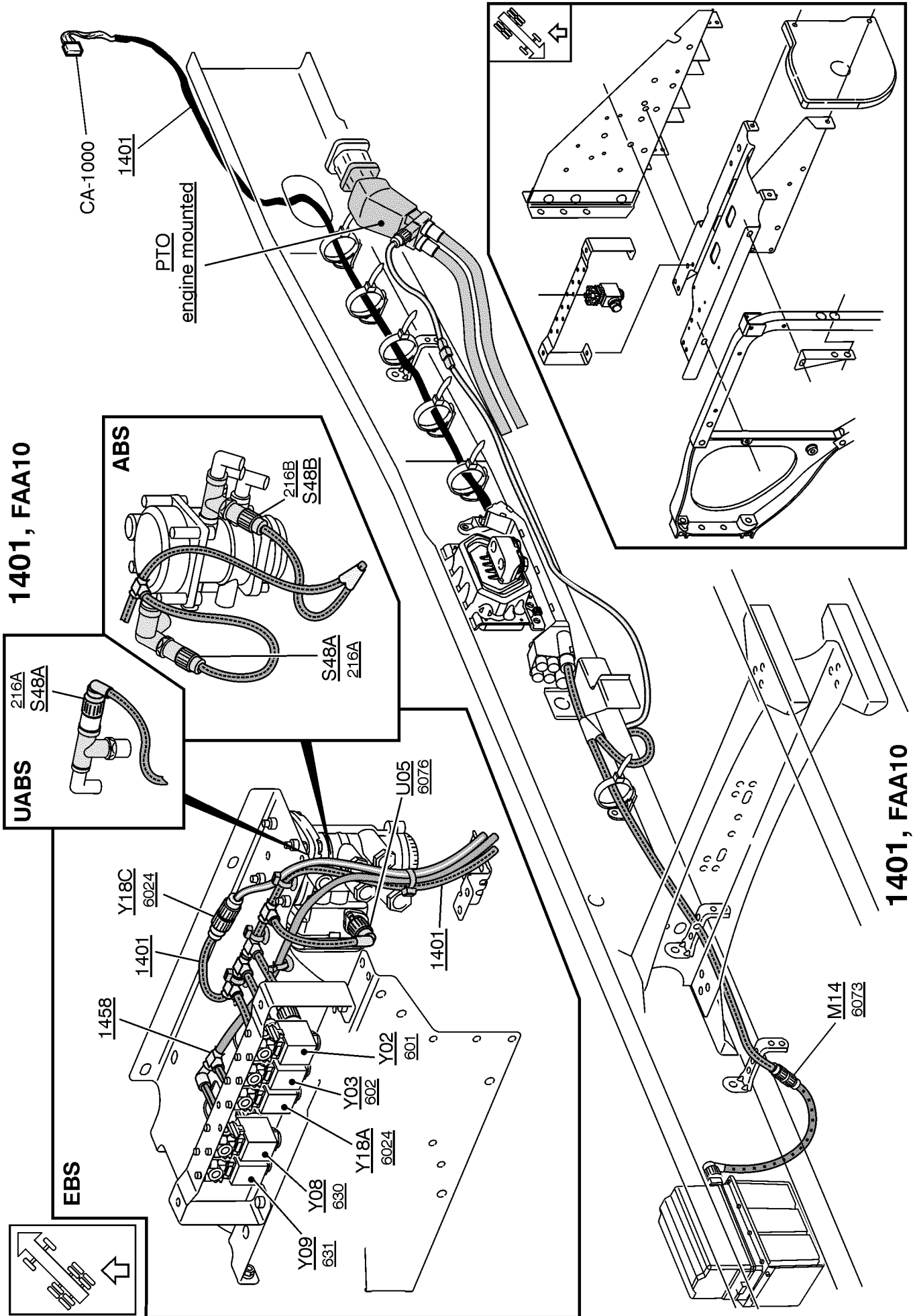


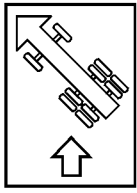
1072

### Pusher, RIGID



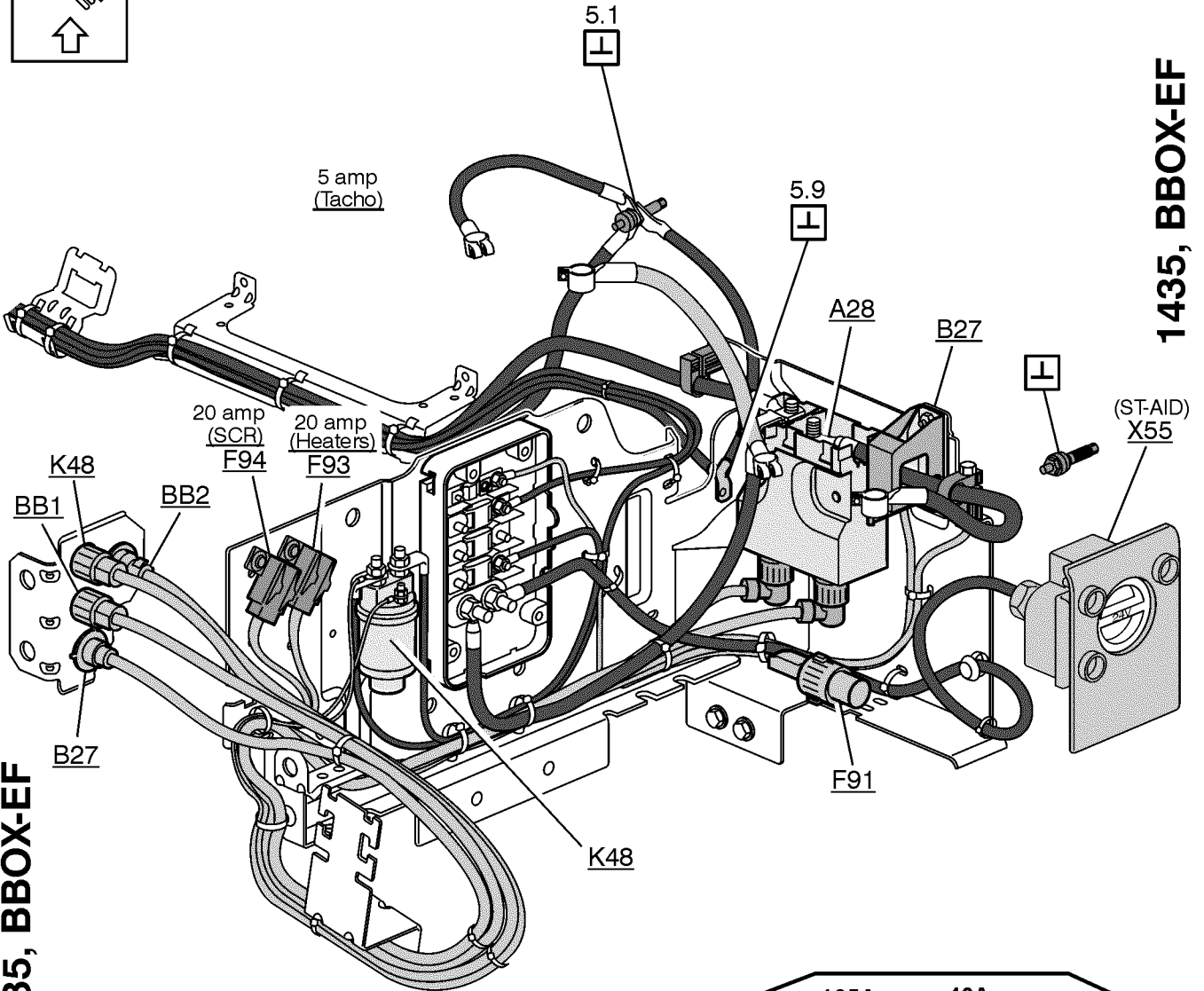
1072



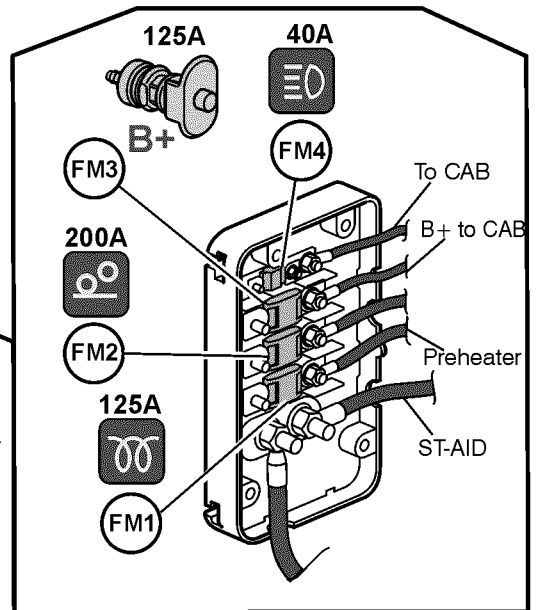
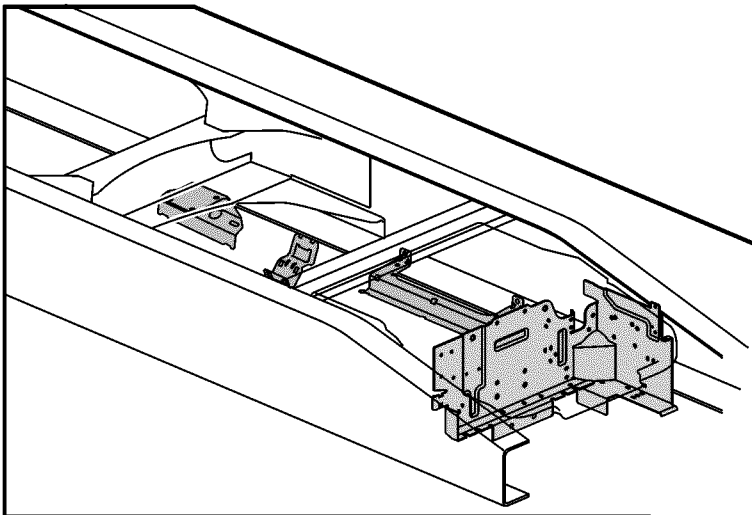


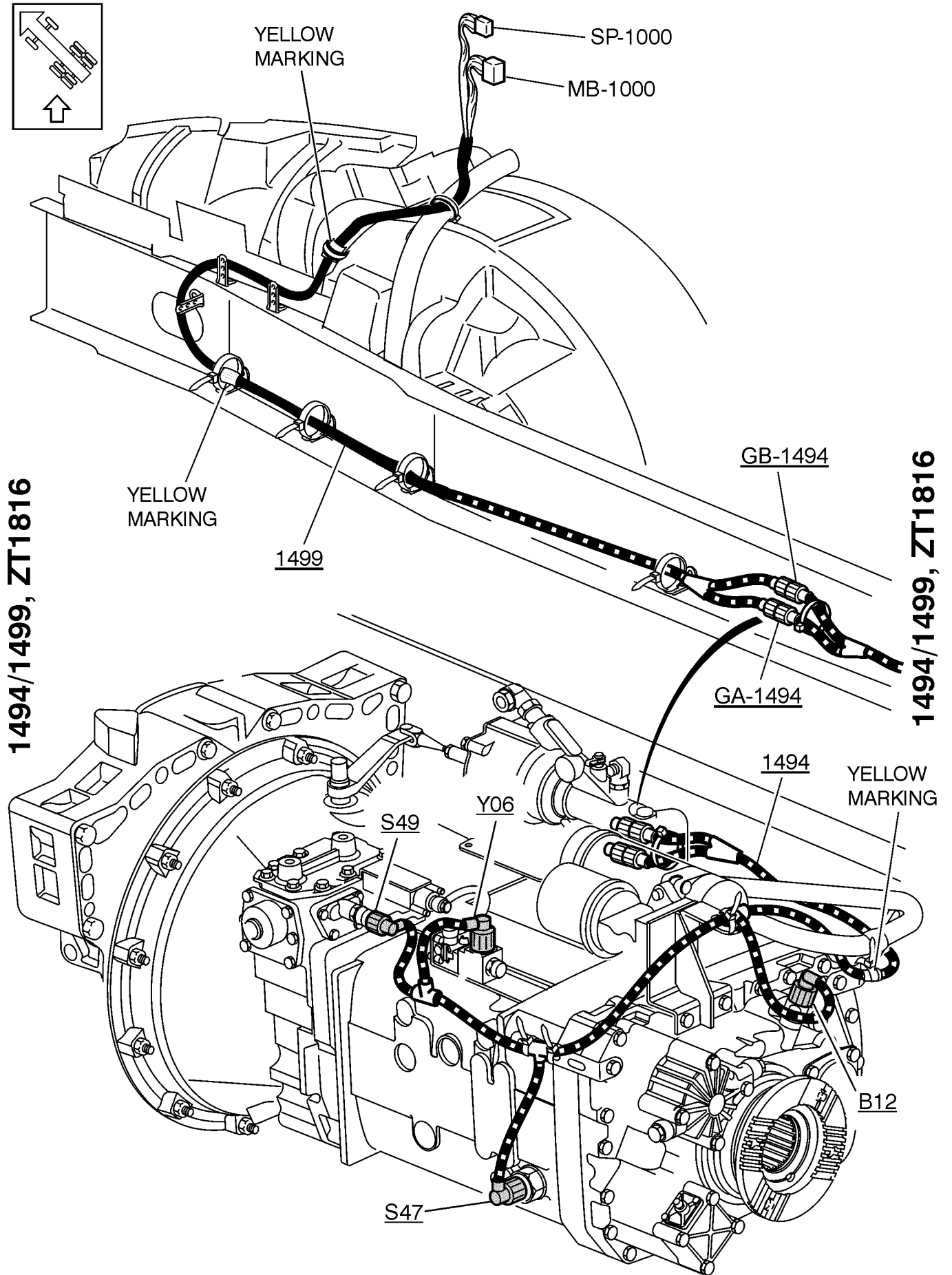
### ADR

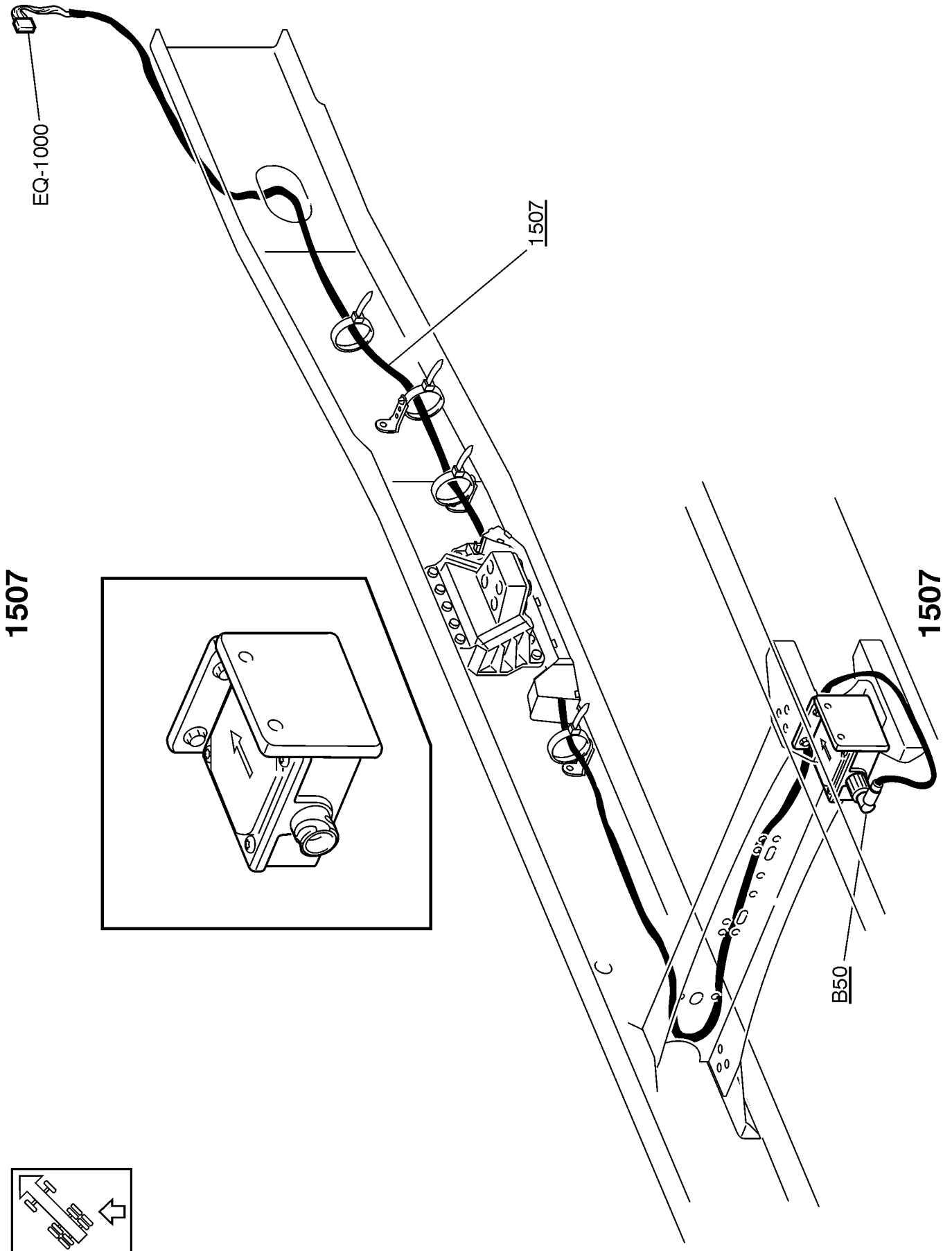
### 1435, BBOX-EF

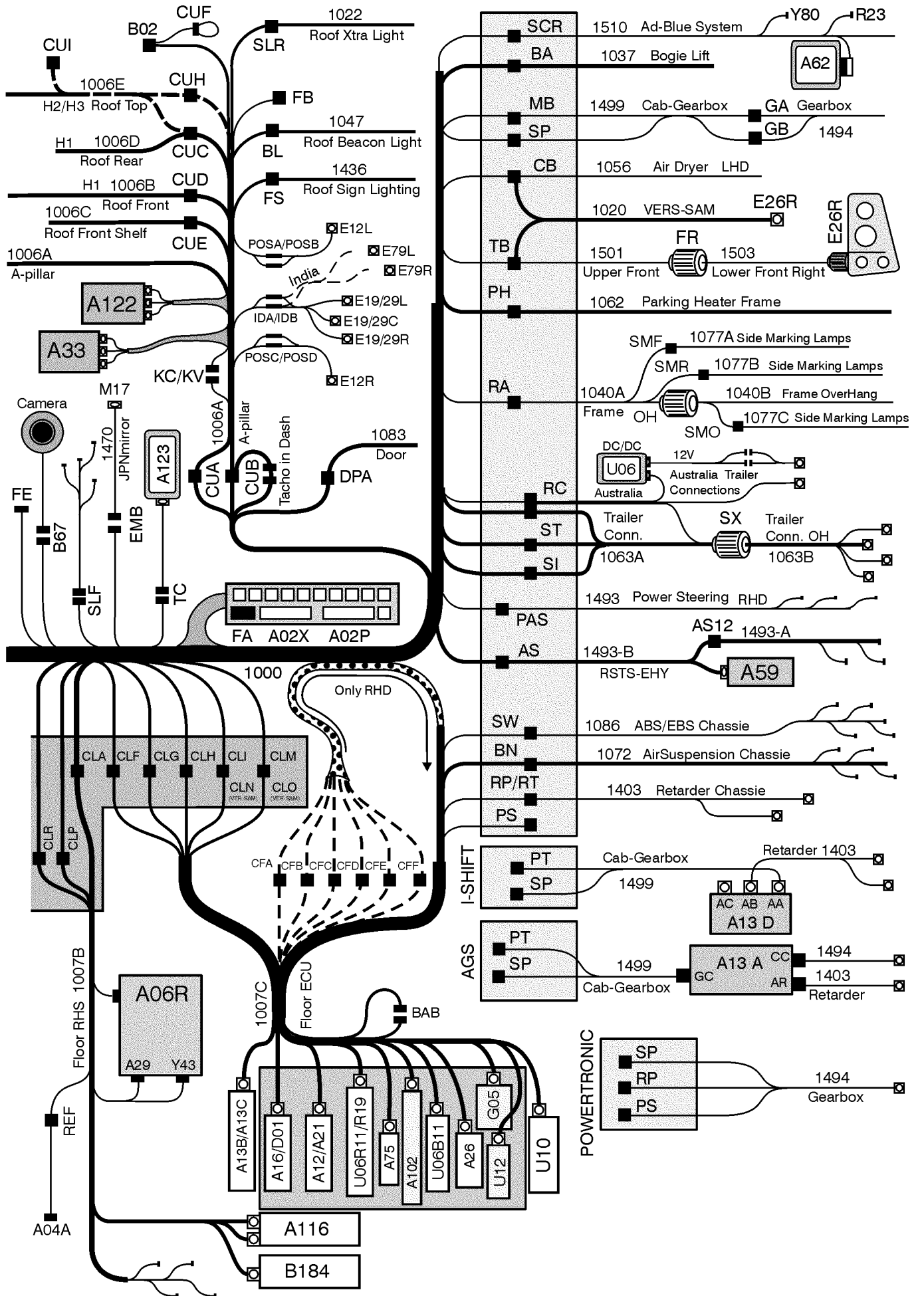


### 1435, BBOX-EF









OH:24	(GE:1 D)	PS:7	(DI:1 C)	PW:13	(CS:0 A)
PAS:1	(FP:0 C)	PS:8	(DI:1 C)	PW:14	(AE:2 D)
PAS:6	(FP:0 D)	PS:9	(DI:1 C)	PW:15	(CK:3 B)
PAS:6	(ZA RHD:1 B)	PS:14	(DI:1 C)	PW:15	(CLK:3 B)
PH_1:1	(HM:0 B)	PS:15	(DI:1 C)	PW:15	(CM:3 B)
PH_1:2	(HM:0 B)	PS:16	(DI:1 C)	PW:16	(CK:3 B)
PH_1:3	(HM:2 B)	PS:17	(DI:1 C)	PW:16	(CL:3 B)
PH_1:4	(HM:1 B)	PS:18	(DI:1 C)	PW:16	(CM:2 B)
PH_1:5	(HM:2 B)	PS:19	(DI:1 C)	PW:17	(CK:3 C)
PH_1:6	(HM:2 C)	PS:20	(DI:1 C)	PW:17	(CLK:3 C)
PH_1:7	(HM:2 D)	PS:21	(DI:1 C)	PW:17	(CM:2 C)
PH_1:8	(HM:0 D)	PS_2:1	(DI RHD:0 D)	PW:18	(AB:0 B)
PH_1:9	(HM:0 D)	PS_2:2	(DI RHD:0 D)	PW:19	(IQ:3 C)
PH_1:10	(HM:3 D)	PS_2:3	(DI RHD:1 D)	PW:20	(IQ:3 D)
PH_1:11	(HM:1 B)	PS_2:4	(DI RHD:1 D)	PW:21	(AB:0 B)
PH_2:1	(HP:0 B)	PS_2:5	(DI RHD:1 D)	R23:1	(CV:1 D)
PH_2:2	(HP:0 C)	PS_2:6	(DI RHD:1 D)	R23:2	(CV:2 D)
PH_2:3	(HP:0 D)	PS_2:7	(DI RHD:2 D)	R23:3	(CV:1 D)
PL:1	(NC:3 C)	PS_2:8	(DI RHD:1 D)	R23:4	(CV:2 D)
PL:2	(NA:1 C)	PS_2:9	(DI RHD:1 D)	R23:5	(CV:1 D)
PL:2	(NB:1 C)	PS_2:14	(DI RHD:1 D)	R23:6	(CV:3 D)
PL:3	(NA:1 C)	PS_2:15	(DI RHD:1 D)	RA:1	(GC:2 E)
PL:3	(NB:2 C)	PS_2:16	(DI RHD:1 D)	RA:2	(GC:1 B)
PL:4	(NA:1 C)	PS_2:17	(DI RHD:2 D)	RA:3	(GC:1 B)
PL:4	(NB:1 C)	PS_2:18	(DI RHD:2 D)	RA:4	(GC:1 B)
PL:5	(NA:2 C)	PS_2:19	(DI RHD:2 D)	RA:5	(GC:2 B)
PL:5	(NB:2 C)	PS_2:20	(DI RHD:2 D)	RA:6	(GC:2 B)
PL:6	(NA:3 C)	PS_2:21	(DI RHD:2 D)	RA:7	(GC:1 B)
PL:6	(NB:3 C)	PT:1	(DE:0 B)	RA:7	(GC RHD:1 C)
PL:7	(NC:1 C)	PT:1	(DN:1 B)	RA:8	(GC:1 B)
PL:7	(NU:1 C)	PT:1	(DP:0 B)	RA:9	(GC:2 B)
PL:8	(NA:4 C)	PT:2	(DE:0 B)	RA:10	(GC:2 B)
PL:8	(NB:4 C)	PT:2	(DN:1 B)	RA:10	(GC RHD:2 C)
PL:9	(NC:1 C)	PT:2	(DP:1 B)	RA:11	(GC:2 B)
PL:9	(NU:1 C)	PT:3	(DE:0 B)	RA:12	(BI:2 C)
PL:10	(NC:2 C)	PT:3	(DN:1 B)	RA:13	(BI:2 D)
PL:10	(NU:2 C)	PT:3	(DP:1 B)	RA:14	(DU:3 C)
PL:11	(NA:0 C)	PT:4	(DE:0 B)	RA:15	(HI:0 C)
PL:11	(NB:0 C)	PT:4	(DN:1 B)	RA:15	(HM:0 D)
PL:12	(NA:1 C)	PT:4	(DP:1 B)	RA:16	(HI:0 C)
PL:12	(NB:0 C)	PT:6	(DE:0 B)	RA:16	(HM:0 D)
PL:13	(NC:2 C)	PT:6	(DN:0 B)	RA:17	(DU:3 C)
PL:13	(NU:1 C)	PT:6	(DP:0 B)	RA:19	(BY:2 D)
PL:14	(NC:2 C)	PT:7	(DE:0 D)	RC:1	(BY:3 D)
PL:14	(NU:1 C)	PT:7	(DN:0 B)	RC:2	(GG:0 B)
PL:15	(NC:2 C)	PT:7	(DP:0 B)	RC:2	(GK:0 A)
PL:15	(NU:2 C)	PT:8	(DN:0 B)	RC:3	(GG:0 B)
PL:16	(NC:2 C)	PT:8	(XC:2 D)	RC:3	(GK:1 A)
PL:16	(NU:2 C)	PT:9	(DN:0 B)	RC:4	(GG:0 B)
PL:17	(NC:2 C)	PT:9	(XC:1 D)	RC:4	(GK:1 A)
PL:17	(NU:2 C)	PT:12	(XC:2 D)	RC:5	(GG:0 B)
PL:18	(NA:2 C)	PT:13	(XC:2 D)	RC:5	(GK:1 A)
PL:18	(NB:3 C)	PW:1	(AB:4 C)	RC:6	(GG:0 B)
PL:19	(NC:3 C)	PW:1	(CS:0 A)	RC:6	(GK:1 A)
PL:20	(NC:3 C)	PW:1	(ZA RHD:3 C)	RC:7	(GG:1 B)
PL:20	(NU:2 C)	PW:2	(AB:3 C)	RC:8	(BY:3 D)
PL:21	(NC:3 C)	PW:3	(AE:0 C)	RC:9	(GG:1 B)
PL:21	(NU:3 C)	PW:4	(AE:1 C)	RC:10	(GG:1 B)
POS_A:1	(GL:3 B)	PW:5	(AE:1 D)	RC:10	(GK:1 A)
POS_B:1	(GL:3 B)	PW:6	(AE:1 D)	RC:11	(GG:1 B)
POS_C:1	(GL:4 B)	PW:7	(AE:2 D)	RC:12	(GG:1 B)
POS_D:1	(GL:4 B)	PW:8	(AE:2 D)	RC:14	(GG:1 B)
PS:1	(DI:0 C)	PW:9	(BI:2 D)	RC:15	(GC:0 B)
PS:2	(DI:0 C)	PW:10	(BI:2 C)	RC:16	(GC:2 B)
PS:3	(DI:0 C)	PW:11	(BI:2 C)	RC:17	(GG:0 B)
PS:4	(DI:0 C)	PW:12	(CS:0 A)	RC:18	(GG:0 B)
PS:5	(DI:0 C)	PW:12	(GB:0 D)	RC:19	(GK:1 A)
PS:6	(DI:0 C)	PW:13	(AB:2 B)	RC:19	(KE:0 C)

CLICK HERE TO **DOWNLOAD** THE COMPLETE MANUAL

- Thank you very much for reading the preview of the manual.
- You can download the complete manual from: [www.heydownloads.com](http://www.heydownloads.com) by clicking the link below



- Please note: If there is no response to CLICKING the link, please download this PDF first and then click on it.

CLICK HERE TO **DOWNLOAD** THE COMPLETE MANUAL