

# 1 Current flow diagram - general information

- ◆ ⇒ [“1.1 Signal names”, page 1](#)
- ◆ ⇒ [“1.2 Wires”, page 10](#)
- ◆ ⇒ [“1.3 Fuse colours”, page 12](#)

## 1.1 Signal names

- ◆ ⇒ [“1.1.1 Signal names, from 2017”, page 1](#)
- ◆ ⇒ [“1.1.2 Signal names - DIN standard 72552”, page 5](#)
- ◆ ⇒ [“1.1.3 Signal names - supplement”, page 9](#)

### 1.1.1 Signal names, from 2017



Note

*These signal names will be used from 2017. You will find the old terminal designations in the chapters ⇒ [“1.1.2 Signal names - DIN standard 72552”, page 5](#) and ⇒ [“1.1.3 Signal names - supplement”, page 9](#)*

Signal names	Explanation
(S)	Shield for aerial or video wires
A~	Alternating current phase A
AIR	Air wire
ANT	Aerial wire
ANT-	Aerial wire, negative
ANT+	Aerial wire, positive
B~	Alternating current phase B
C~	Alternating current phase C
CAN-H	CAN bus, high
CAN-L	CAN bus, low
CRASH	Crash signal
CTRL	Activation for actuators
CTRL-	Activation, negative (for actuators)
CTRL+	Activation, positive (for actuators)
CTRL1-	Engine/motor activation 1, negative

CLICK HERE TO **DOWNLOAD** THE COMPLETE MANUAL

- Thank you very much for reading the preview of the manual.
- You can download the complete manual from: [www.heydownloads.com](http://www.heydownloads.com) by clicking the link below



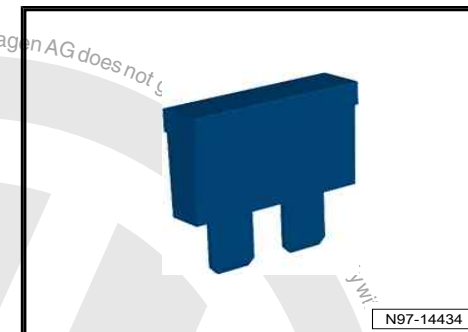
- Please note: If there is no response to CLICKING the link, please download this PDF first and then click on it.

CLICK HERE TO **DOWNLOAD** THE COMPLETE MANUAL

[Back to overview](#) ⇒ [page 1](#)

### 1.3.2 Fuse colours for ATO type

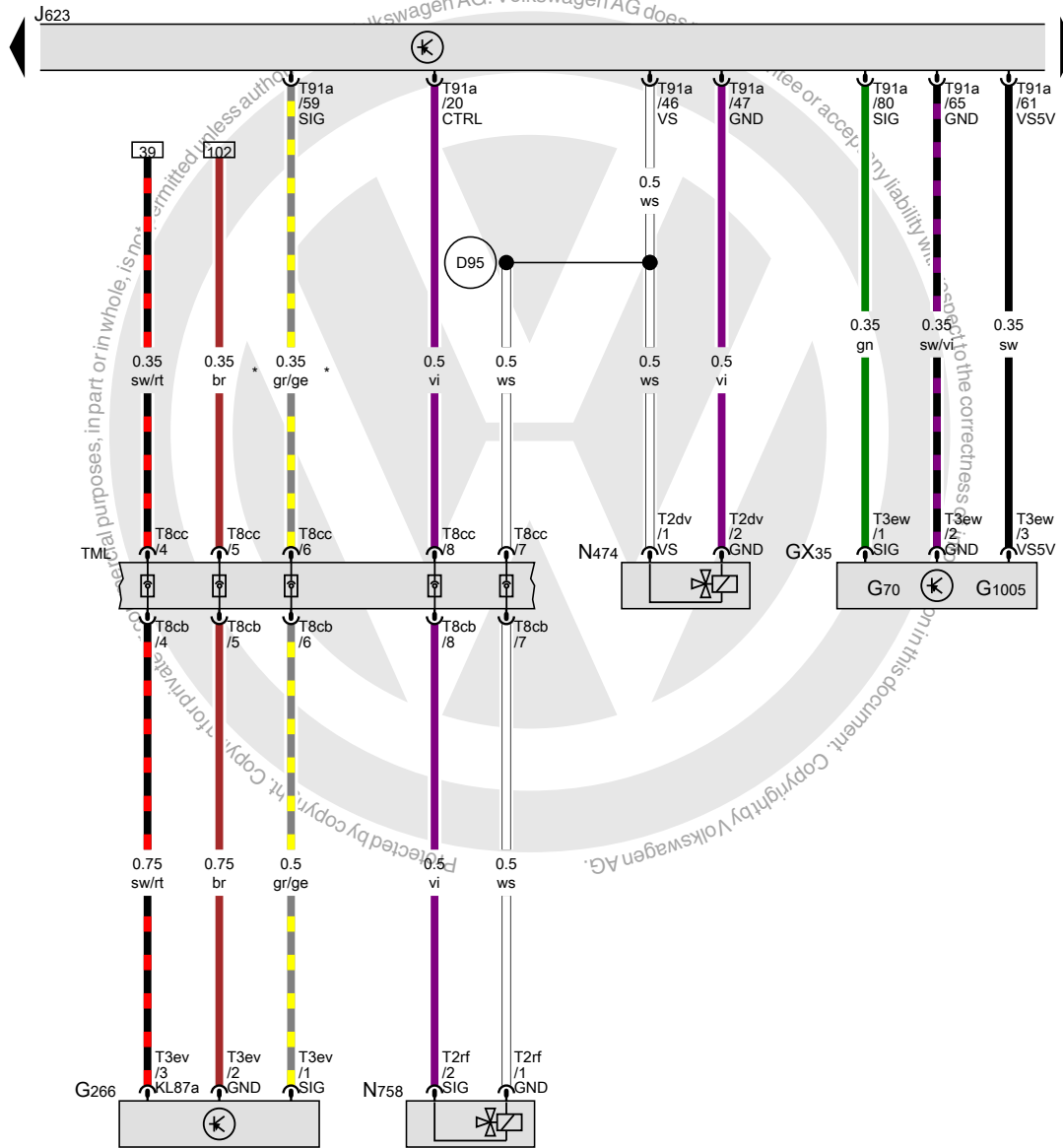
ATO type fuse



Nominal value	Fuse colour
1 A	black
2 A	grey
3 A	violet
4 A	pink
5 A	light brown
7.5 A	brown
10 A	red
15 A	light blue
20 A	yellow
25 A	white
30 A	light green
35 A	blue-green
40 A	orange

Air mass measurement module, Oil level and oil temperature sender, Engine/motor control unit, Injector for reducing agent, Injector 2 for reducing agent

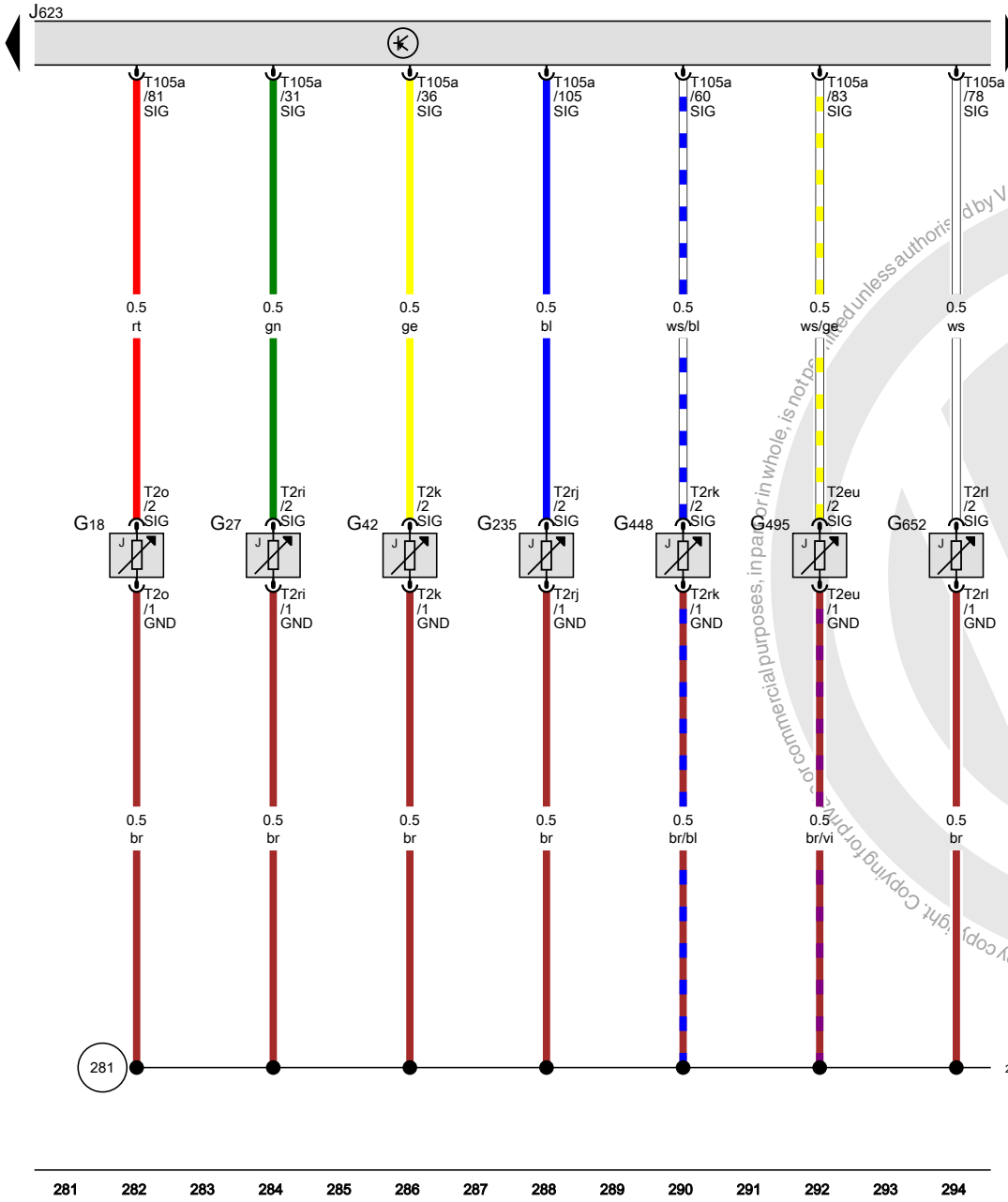
- GX35 Air mass measurement module
- G70 Air mass meter
- G266 Oil level and oil temperature sender
- G1005 Temperature sender in air mass meter
- J623 Engine/motor control unit
- N474 Injector for reducing agent
- N758 Injector 2 for reducing agent
- T2dv 2-pin connector, brown
- T2rf 2-pin connector, black
- T3ev 3-pin connector, black
- T3ew 3-pin connector, black
- T8cb 8-pin connector, black
- T8cc 8-pin connector, black
- T91a 91-pin connector, black
- TML Coupling point in engine compartment, left
- D95 Connection (injectors), in engine compartment wiring harness
- \* For models with extended service intervals (ESI)



- ws = white
- sw = black
- ro = red
- rt = red
- br = brown
- gn = green
- bl = blue
- gr = grey
- li = purple
- vi = purple
- ge = yellow
- or = orange
- rs = pink

113 114 115 116 117 118 119 120 121 122 123 124 125 126

[34H7-082101219]



Temperature sensor, Engine temperature sender, Intake air temperature sender, Exhaust gas temperature sender 1, Exhaust gas temperature sender 2, Exhaust gas temperature sender 3, Engine temperature sender 2, Engine/motor control unit

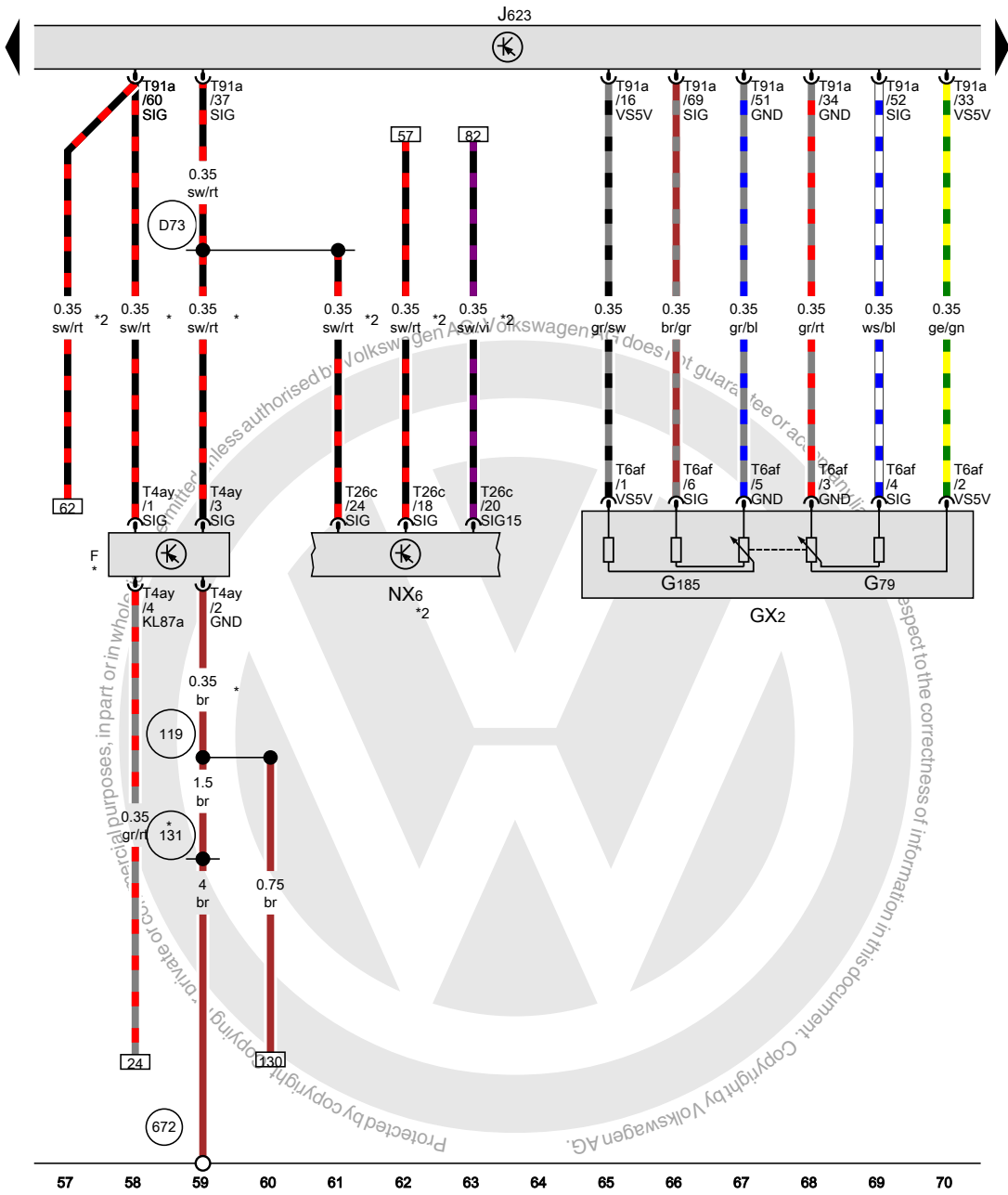
- G18 Temperature sensor
- G27 Engine temperature sender
- G42 Intake air temperature sender
- G235 Exhaust gas temperature sender 1
- G448 Exhaust gas temperature sender 2
- G495 Exhaust gas temperature sender 3
- G652 Engine temperature sender 2
- J623 Engine/motor control unit
- T2eu 2-pin connector, brown
- T2k 2-pin connector, black
- T2o 2-pin connector, black
- T2ri 2-pin connector, brown
- T2rj 2-pin connector, black
- T2rk 2-pin connector, grey
- T2rl 2-pin connector, brown
- T105a 105-pin connector, black
- 281 Earth point 1, engine prewiring harness

- ws = white
- sw = black
- ro = red
- rt = red
- br = brown
- gn = green
- bl = blue
- gr = grey
- li = purple
- vi = purple
- ge = yellow
- or = orange
- rs = pink

281 282 283 284 285 286 287 288 289 290 291 292 293 294

[347-082221219]

Brake light switch, Accelerator pedal module, Engine/motor control unit, Brake servo

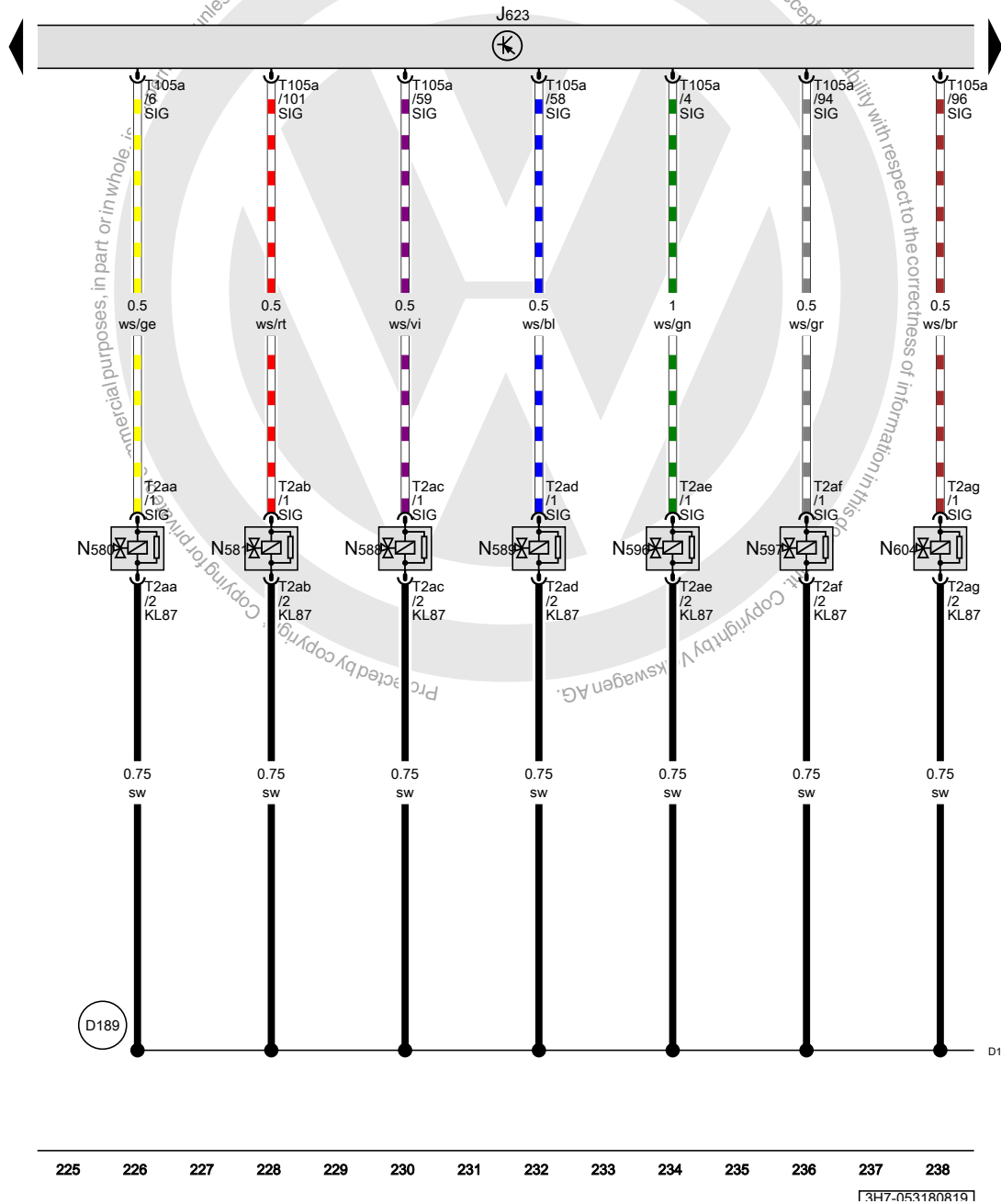


- F Brake light switch
- GX2 Accelerator pedal module
- G79 Accelerator position sender
- G185 Accelerator position sender 2
- J623 Engine/motor control unit
- NX6 Brake servo
- T4ay 4-pin connector, black
- T6af 6-pin connector, black
- T26c 26-pin connector, black
- T91a 91-pin connector, black

- 119 Earth connection 1, in headlight wiring harness
- 131 Earth connection 2, in engine compartment wiring harness
- 672 Earth point 2, on front of left longitudinal member
- D73 Positive connection (54), in engine compartment wiring harness
- \* For vehicles without electromechanical brake servo
- \*2 For vehicles with electromechanical brake servo

- ws = white
- sw = black
- ro = red
- rt = red
- br = brown
- gn = green
- bl = blue
- gr = grey
- li = purple
- vi = purple
- ge = yellow
- or = orange
- rs = pink

1347-053060819



Engine/motor control unit, Exhaust cam actuator A for cylinder 1, Exhaust cam actuator B for cylinder 1, Exhaust cam actuator A for cylinder 2, Exhaust cam actuator B for cylinder 2, Exhaust cam actuator A for cylinder 3, Exhaust cam actuator B for cylinder 3, Exhaust cam actuator A for cylinder 4

- J623 Engine/motor control unit
- N580 Exhaust cam actuator A for cylinder 1
- N581 Exhaust cam actuator B for cylinder 1
- N588 Exhaust cam actuator A for cylinder 2
- N589 Exhaust cam actuator B for cylinder 2
- N596 Exhaust cam actuator A for cylinder 3
- N597 Exhaust cam actuator B for cylinder 3
- N604 Exhaust cam actuator A for cylinder 4
- T2aa 2-pin connector, black
- T2ab 2-pin connector, black
- T2ac 2-pin connector, black
- T2ad 2-pin connector, black
- T2ae 2-pin connector, black
- T2af 2-pin connector, black
- T2ag 2-pin connector, black
- T105a 105-pin connector, black

D189 Connection (87a) in engine prewiring harness

- ws = white
- sw = black
- ro = red
- rt = red
- br = brown
- gn = green
- bl = blue
- gr = grey
- li = purple
- vi = purple
- ge = yellow
- or = orange
- rs = pink

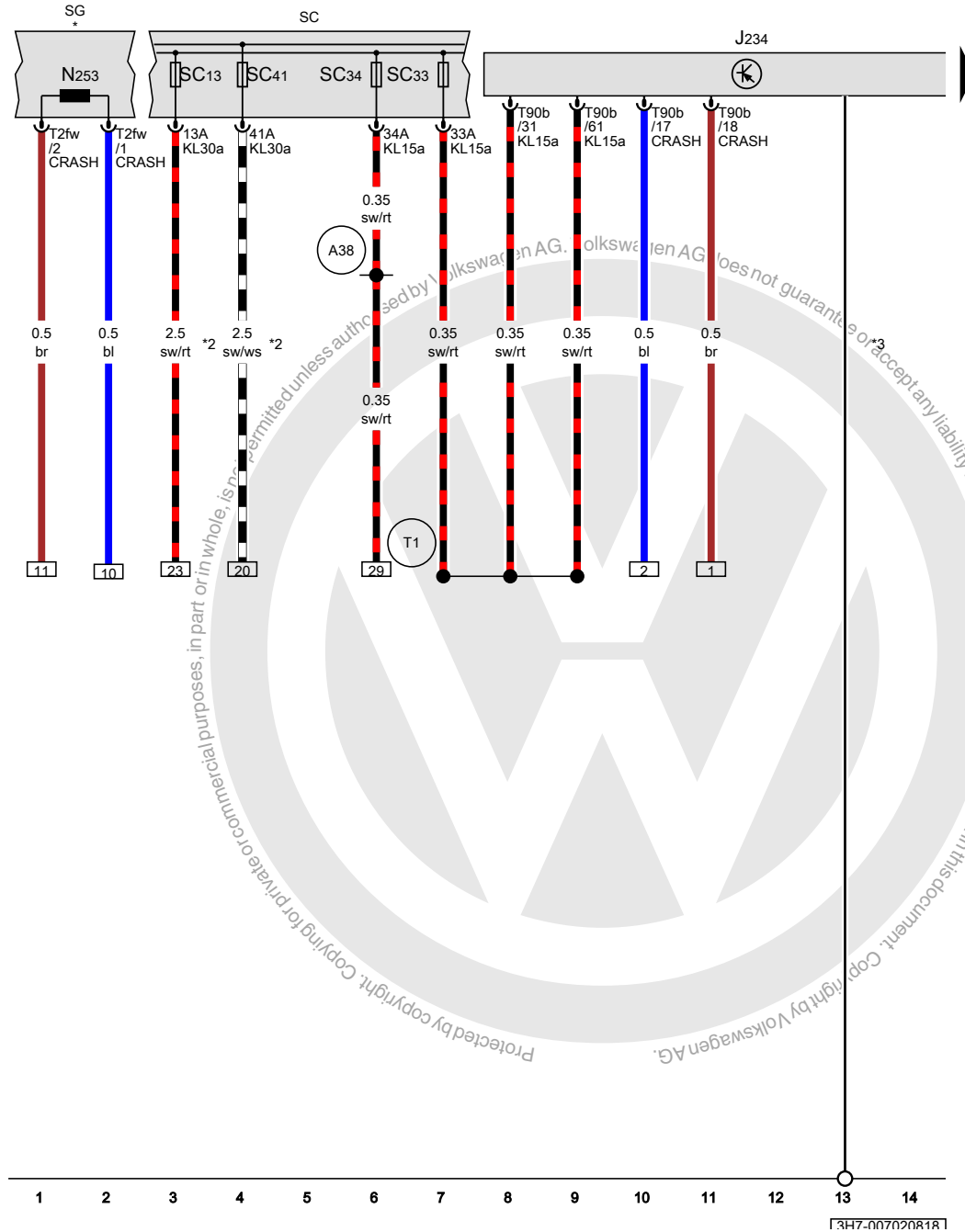
225 226 227 228 229 230 231 232 233 234 235 236 237 238

[34H7-053180R19]

**Actuator for structure-borne sound , (GM1)**

From March 2017



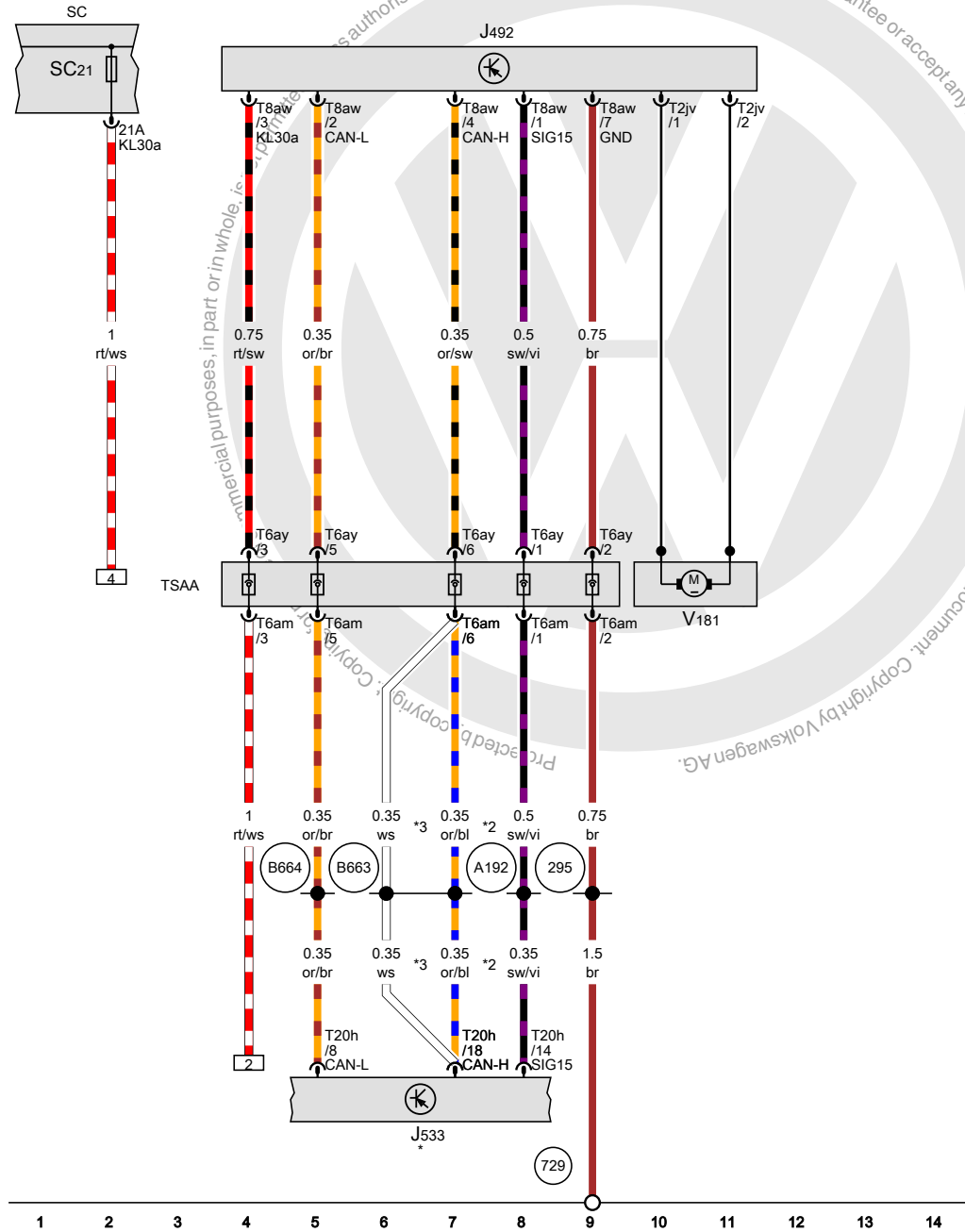


Airbag control unit, Fuse holder C, Fuse holder G

- J234 Airbag control unit
- N253 Battery isolation igniter
- SC Fuse holder C
- SC13 Fuse 13 on fuse holder C
- SC33 Fuse 33 on fuse holder C
- SC34 Fuse 34 on fuse holder C
- SC41 Fuse 41 on fuse holder C
- SG Fuse holder G
- T2fw 2-pin connector, yellow
- T90b 90-pin connector, yellow
- A38 Positive connection 2 (15a) in dash panel wiring harness
- T1 Positive connection 1, in airbag wiring harness
- \* see applicable current flow diagram for fuse assignment
- \*2 According to equipment
- \*3 Earth supply via housing

- ws = white
- sw = black
- ro = red
- rt = red
- br = brown
- gn = green
- bl = blue
- gr = grey
- li = purple
- vi = purple
- ge = yellow
- or = orange
- rs = pink

13H7-007020818



All-wheel drive control unit, Data bus diagnostic interface, Fuse holder C, All-wheel drive coupling pump

- J492 All-wheel drive control unit
- J533 Data bus diagnostic interface
- SC Fuse holder C
- SC21 Fuse 21 on fuse holder C
- T2jv 2-pin connector, black
- T6am 6-pin connector, black
- T6ay 6-pin connector, black
- T8aw 8-pin connector, black
- T20h 20-pin connector, red
- TSAA Coupling point for all-wheel drive
- V181 All-wheel drive coupling pump

- 295 Earth connection 10, in interior wiring harness
- 729 Earth point, on left rear wheel housing
- A192 Positive connection 3 (15a) in dash panel wiring harness
- B663 Connection (running gear sensors CAN bus, high), in main wiring harness
- B664 Connection (running gear sensors CAN bus, low), in main wiring harness
- \* Different connector colour possible
- \*2 Up to July 2018
- \*3 From July 2018

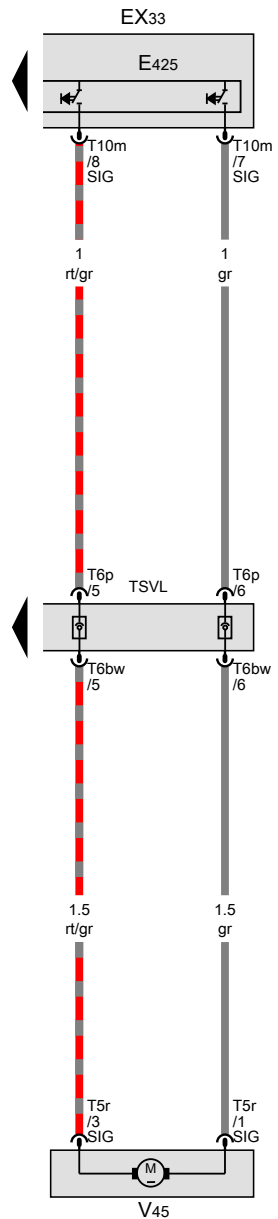
- ws = white
- sw = black
- ro = red
- rt = red
- br = brown
- gn = green
- bl = blue
- gr = grey
- li = purple
- vi = purple
- ge = yellow
- or = orange
- rs = pink

1347-037020818

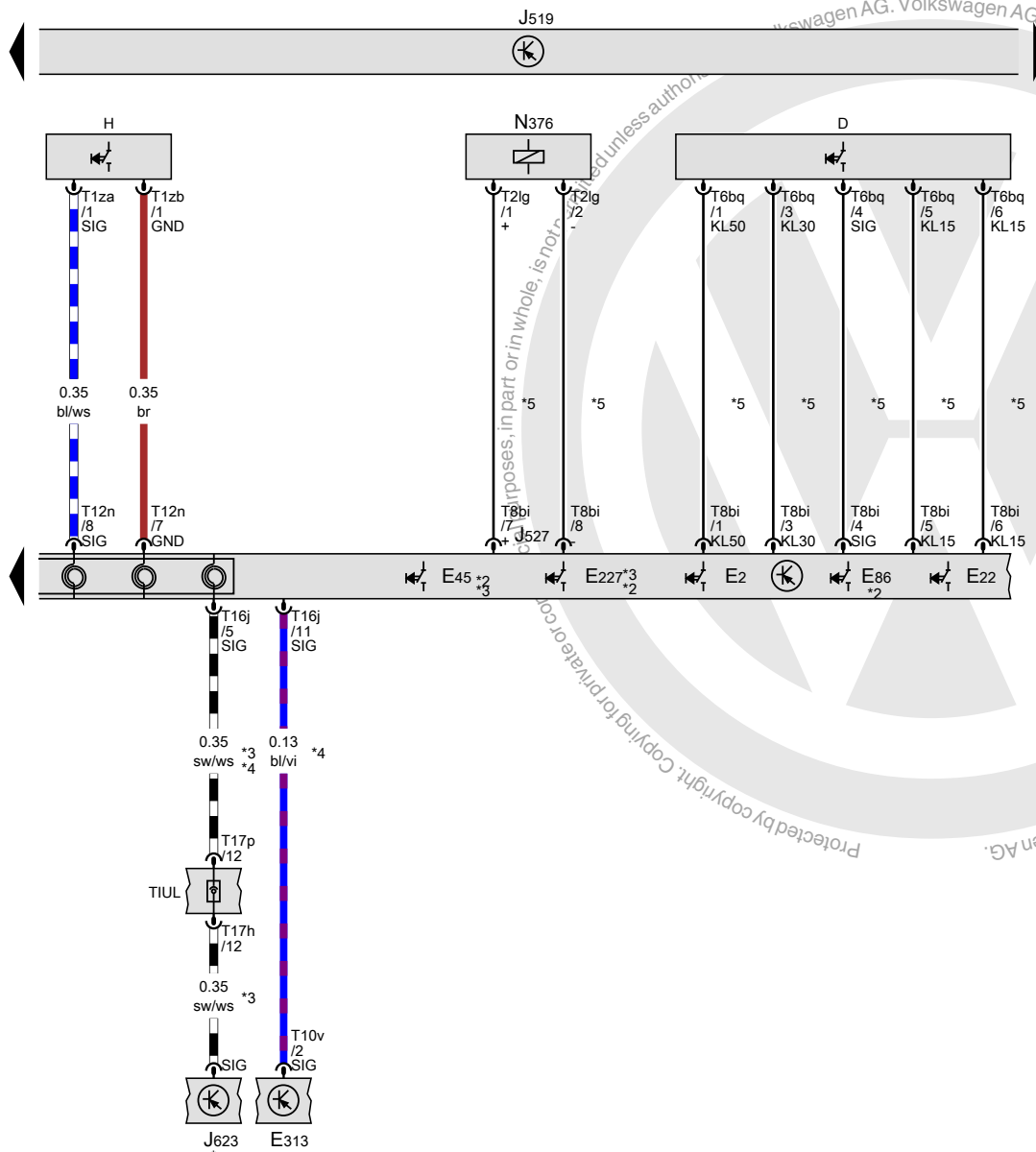


Operating unit for front left seat adjustment, Driver seat backrest adjustment motor

- EX33 Operating unit for front left seat adjustment
- E425 Backrest adjustment button
- T5r 5-pin connector, brown
- T6bw 6-pin connector, black
- T6p 6-pin connector, black
- T10m 10-pin connector, black
- TSVL Coupling point for front left seat
- V45 Driver seat backrest adjustment motor



- ws = white
- sw = black
- ro = red
- rt = red
- br = brown
- gn = green
- bl = blue
- gr = grey
- li = purple
- vi = purple
- ge = yellow
- or = orange
- rs = pink



Ignition/starter switch, Selector lever, Horn plate, Onboard supply control unit, Steering column electronics control unit, Engine/motor control unit, Ignition key withdrawal lock solenoid

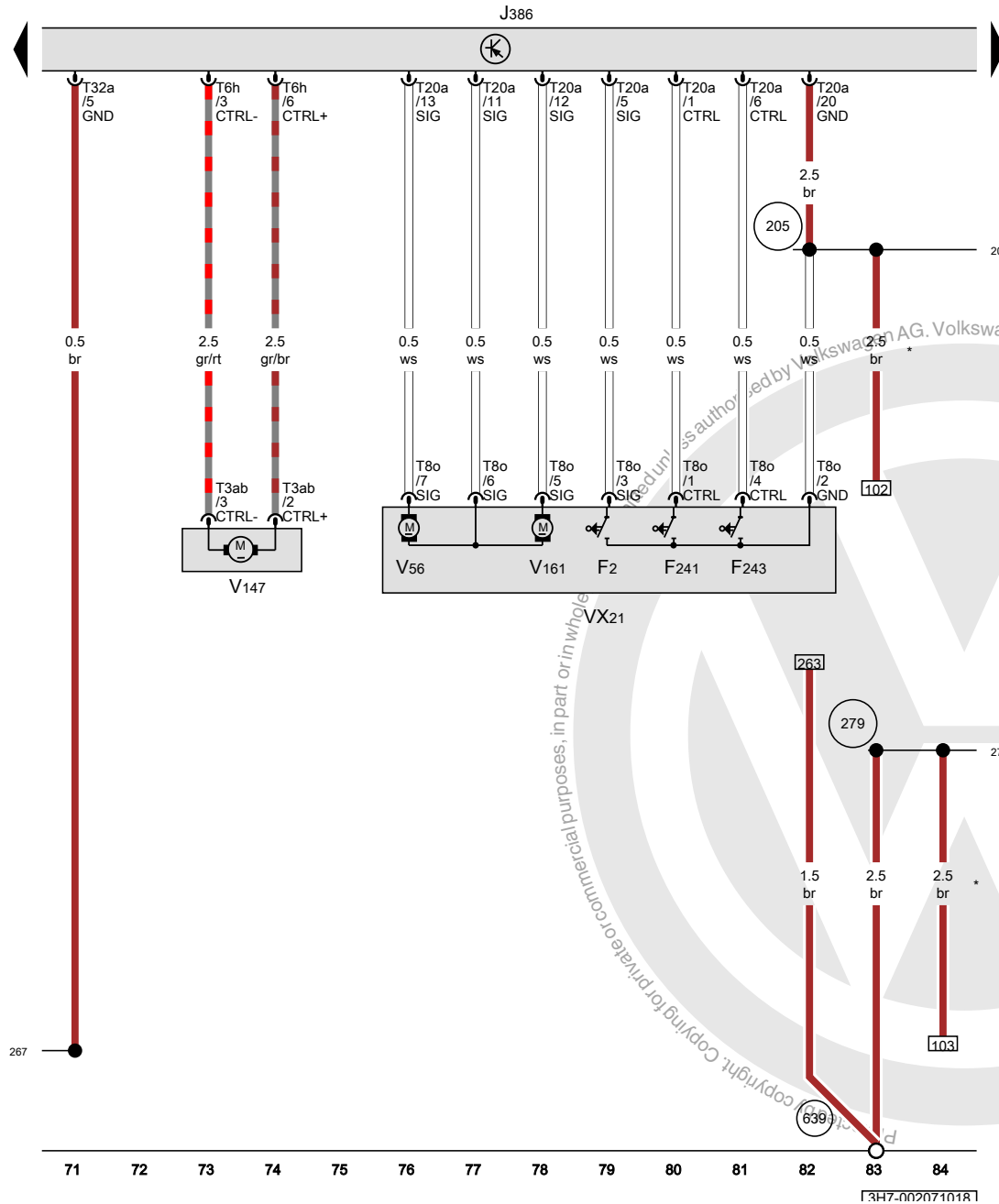
- D Ignition/starter switch
- E2 Turn signal switch, left
- E22 Intermittent wiper switch, right
- E45 Cruise control system switch, left
- E86 Multifunction display call-up button, right
- E227 Cruise control system (CCS) SET button, left
- E313 Selector lever
- H Horn plate
- J519 Onboard supply control unit
- J527 Steering column electronics control unit
- J623 Engine/motor control unit
- N376 Ignition key withdrawal lock solenoid
- T1za 1-pin connector, Terminal
- T1zb 1-pin connector, Terminal
- T2lg 2-pin connector, black
- T6bq 6-pin connector, black
- T8bi 8-pin connector, black
- T10v 10-pin connector, black
- T12n 12-pin connector, yellow
- T16j 16-pin connector, black
- T17h 17-pin connector, blue
- T17p 17-pin connector, blue
- TIUL Coupling point in interior, below left
- \* see applicable current flow diagram for engine
- \*2 For models with no multifunction steering wheel
- \*3 For models with cruise control system (CCS)
- \*4 For models with no heated steering wheel
- \*5 Adapter wire

- ws = white
- sw = black
- ro = red
- rt = red
- br = brown
- gn = green
- bl = blue
- gr = grey
- li = purple
- vi = purple
- ge = yellow
- or = orange
- rs = pink

141 142 143 144 145 146 147 148 149 150 151 152 153 154

[3H7-001120R1R]

Driver door control unit, Driver door lock unit, Driver side window regulator motor

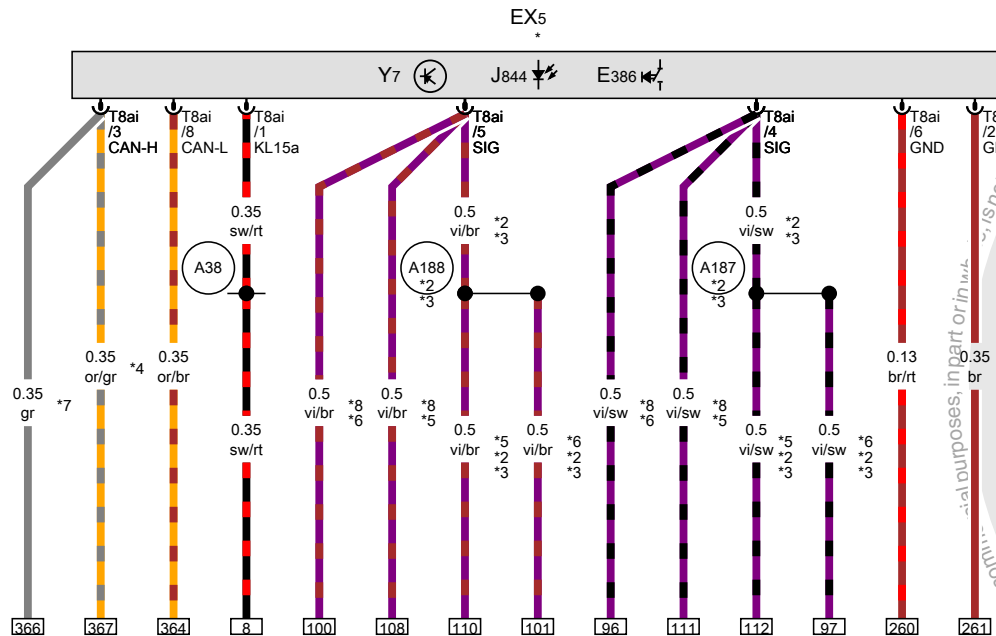


- F2 Driver door contact switch
- F241 Driver side contact switch in lock cylinder
- F243 Driver door central locking actuator for SAFELOCK function
- J386 Driver door control unit
- T3ab 3-pin connector, blue
- T6h 6-pin connector, black
- T8o 8-pin connector, black
- T20a 20-pin connector, black
- T32a 32-pin connector, blue
- VX21 Driver door lock unit
- V56 Driver door central locking motor
- V147 Driver side window regulator motor
- V161 Driver door central locking SAFELOCK function motor

- (205) Earth connection, in driver door wiring harness
- (267) Earth connection 2, in drive side door wiring harness
- (279) Earth connection 5, in interior wiring harness
- (639) Earth point, left A-pillar
- \* For models with overhead view camera

- ws = white
- sw = black
- ro = red
- rt = red
- br = brown
- gn = green
- bl = blue
- gr = grey
- li = purple
- vi = purple
- ge = yellow
- or = orange
- rs = pink

13H7-0020710181



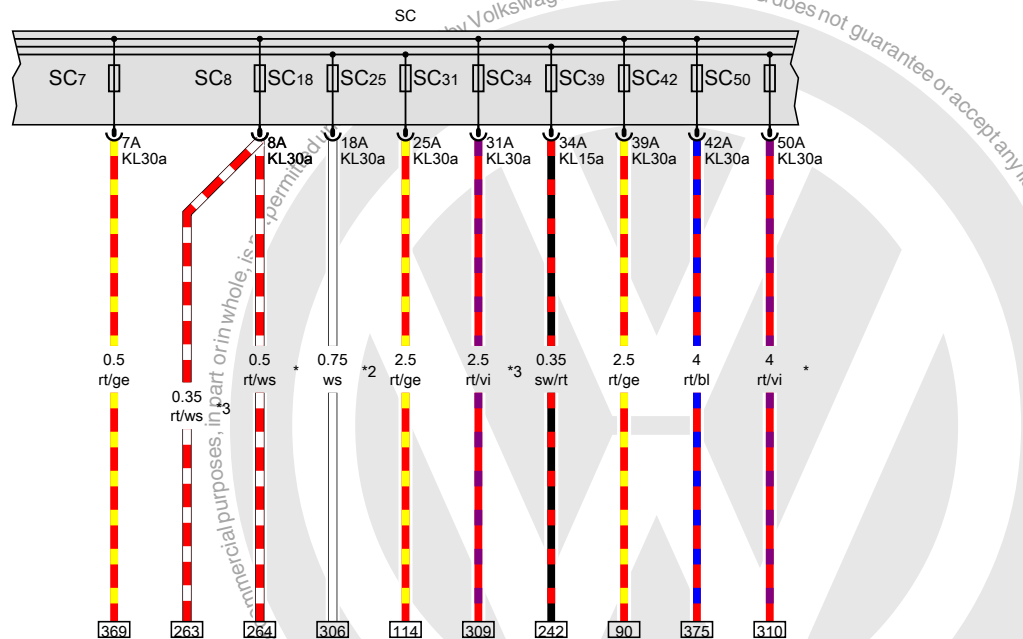
Interior mirror

- EX5 Interior mirror
- E386 Anti-dazzle interior mirror button
- J844 Main beam assist control unit
- T8ai 8-pin connector, black
- Y7 Automatic anti-dazzle interior mirror

- A38 Positive connection 2 (15a) in dash panel wiring harness
- A187 Connection 1 (automatic anti-dazzle interior mirror), in dash panel wiring harness
- A188 Connection 2 (automatic anti-dazzle interior mirror), in dash panel wiring harness

- \* For models with main beam assist
- \*2 According to equipment
- \*3 Up to November 2018
- \*4 Up to July 2018
- \*5 For models with overhead view camera
- \*6 For models with no overhead view camera
- \*7 From July 2018
- \*8 From November 2018

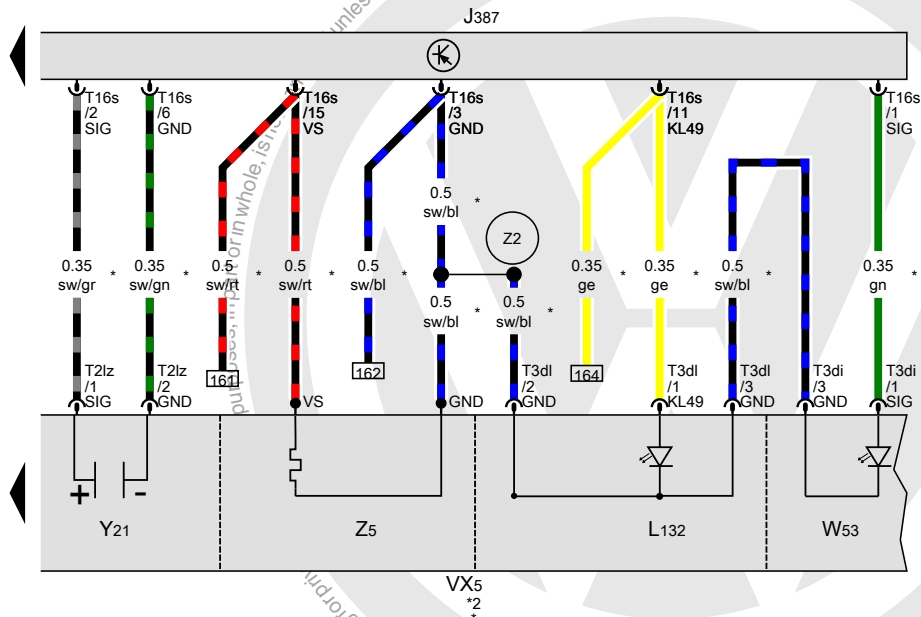
- ws = white
- sw = black
- ro = red
- rt = red
- br = brown
- gn = green
- bl = blue
- gr = grey
- li = purple
- vi = purple
- ge = yellow
- or = orange
- rs = pink



Fuse holder C

- SC Fuse holder C
- SC7 Fuse 7 on fuse holder C
- SC8 Fuse 8 on fuse holder C
- SC18 Fuse 18 on fuse holder C
- SC25 Fuse 25 on fuse holder C
- SC31 Fuse 31 on fuse holder C
- SC34 Fuse 34 on fuse holder C
- SC39 Fuse 39 on fuse holder C
- SC42 Fuse 42 on fuse holder C
- SC50 Fuse 50 on fuse holder C
- \* Up to July 2018
- \*2 For models with overhead view camera
- \*3 From July 2018

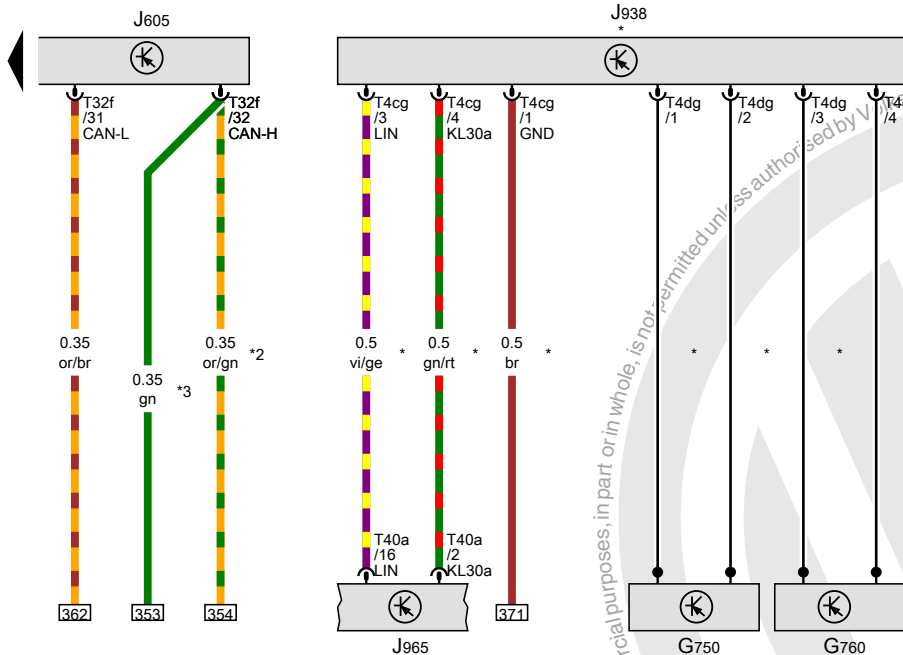
- ws = white
- sw = black
- ro = red
- rt = red
- br = brown
- gn = green
- bl = blue
- gr = grey
- li = purple
- vi = purple
- ge = yellow
- or = orange
- rs = pink



Front passenger door control unit, Passenger side exterior mirror

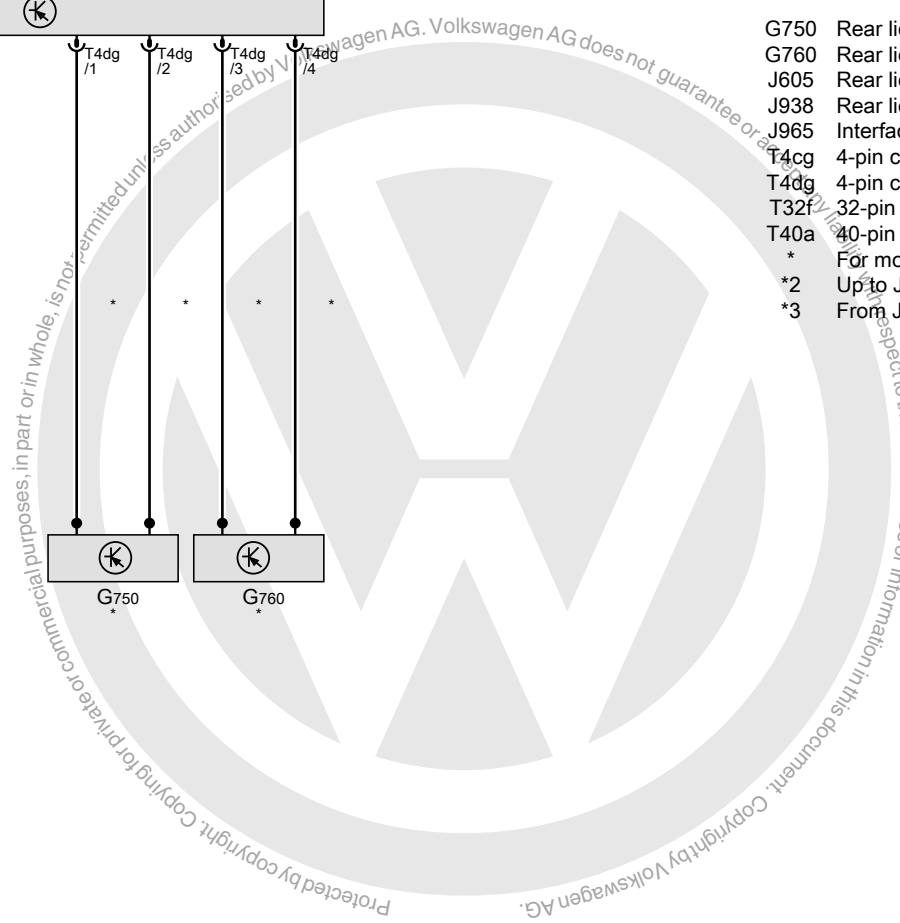
- J387 Front passenger door control unit
- L132 Front passenger side turn signal repeater bulb
- T2lz 2-pin connector, black
- T3di 3-pin connector, black
- T3dl 3-pin connector, black
- T16s 16-pin connector, black
- VX5 Passenger side exterior mirror
- W53 Entry light in exterior mirror, passenger side
- Y21 Automatic anti-dazzle exterior mirror, passenger side
- Z5 Heated exterior mirror on passenger side
- Z2 Connection 2, in mirror adjustment/heating wiring harness
- \* According to equipment
- \*2 Pre-wired component

- ws = white
- sw = black
- ro = red
- rt = red
- br = brown
- gn = green
- bl = blue
- gr = grey
- li = purple
- vi = purple
- ge = yellow
- or = orange
- rs = pink

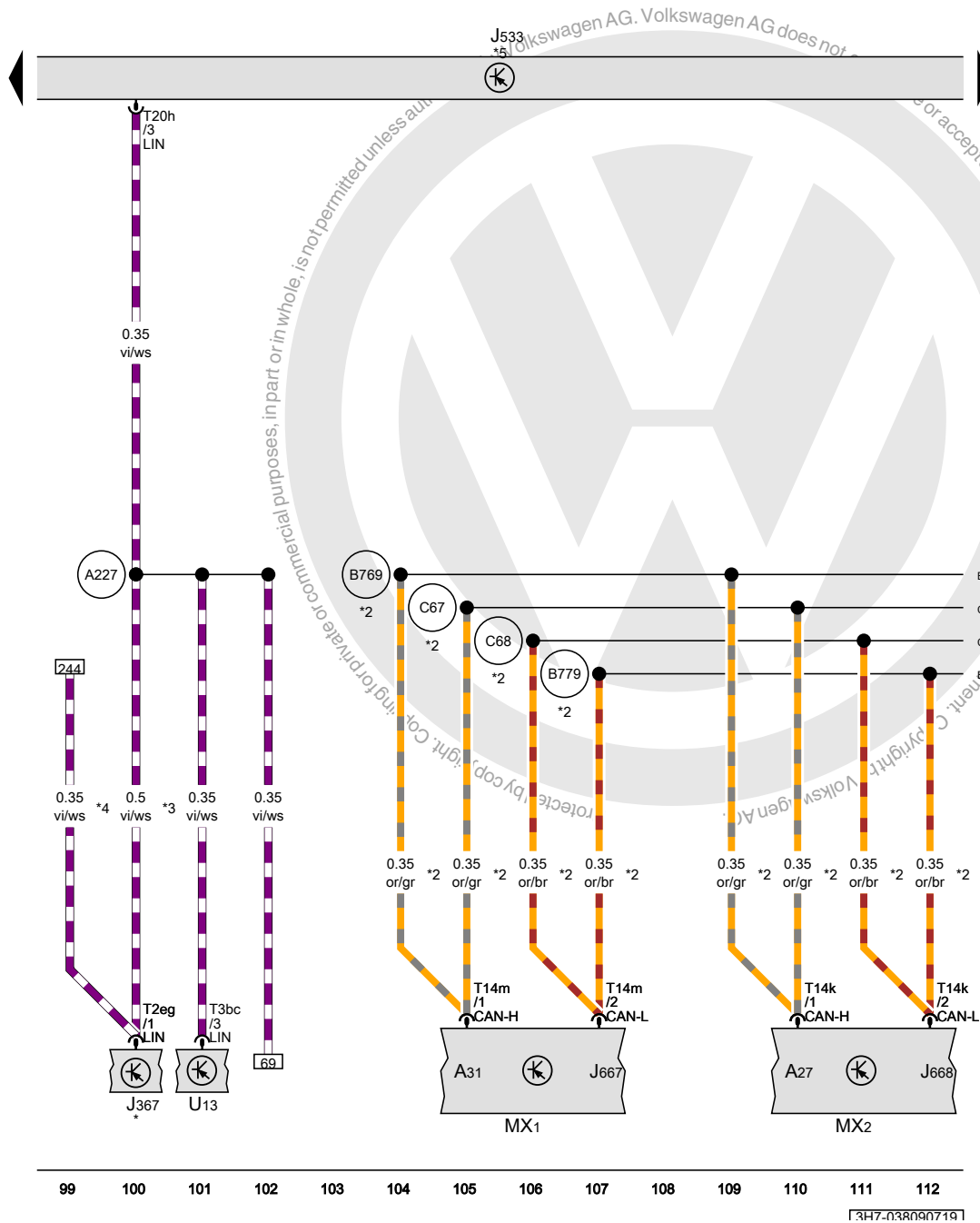


Rear lid power opening sender, Rear lid power opening sender 2, Rear lid control unit, Rear lid power opening control unit, Interface for entry and start system

- G750 Rear lid power opening sender
- G760 Rear lid power opening sender 2
- J605 Rear lid control unit
- J938 Rear lid power opening control unit
- J965 Interface for entry and start system
- T4cg 4-pin connector, black
- T4dg 4-pin connector, black
- T32f 32-pin connector, colourless
- T40a 40-pin connector, black
- \* For models with sensor-controlled rear lid opener
- \*2 Up to July 2018
- \*3 From July 2018



- ws = white
- sw = black
- ro = red
- rt = red
- br = brown
- gn = green
- bl = blue
- gr = grey
- li = purple
- vi = purple
- ge = yellow
- or = orange
- rs = pink



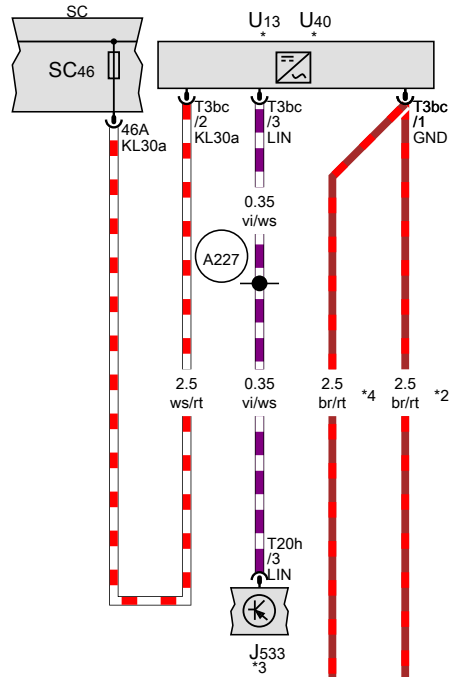
**Battery monitor control unit, Data bus diagnostic interface, Front left headlight, Front right headlight, DC/AC converter with socket, 12 V - 230 V**

- A27 Output module 1 for right LED headlight
- A31 Output module 1 for left LED headlight
- J367 Battery monitor control unit
- J533 Data bus diagnostic interface
- J667 Output module for left headlight
- J668 Output module for right headlight
- MX1 Front left headlight
- MX2 Front right headlight
- T2eg 2-pin connector, black
- T3bc 3-pin connector, black
- T14k 14-pin connector, black
- T14m 14-pin connector, black
- T20h 20-pin connector, red
- U13 DC/AC converter with socket, 12 V - 230 V

- (A227) Connection 2 (LIN bus) in dash panel wiring harness
- (B769) Connection 2 (CAN bus diagnosis, high), in main wiring harness
- (B779) Connection 2 (CAN bus diagnosis, low), in main wiring harness
- (C67) Connection (CAN bus, high), in headlight wiring harness
- (C68) Connection (CAN bus, low), in headlight wiring harness
- \* see applicable current flow diagram
- \*2 According to equipment
- \*3 For models with battery in luggage compartment
- \*4 For models with battery in engine compartment
- \*5 Different connector colour possible

- ws = white
- sw = black
- ro = red
- rt = red
- br = brown
- gn = green
- bl = blue
- gr = grey
- li = purple
- vi = purple
- ge = yellow
- or = orange
- rs = pink

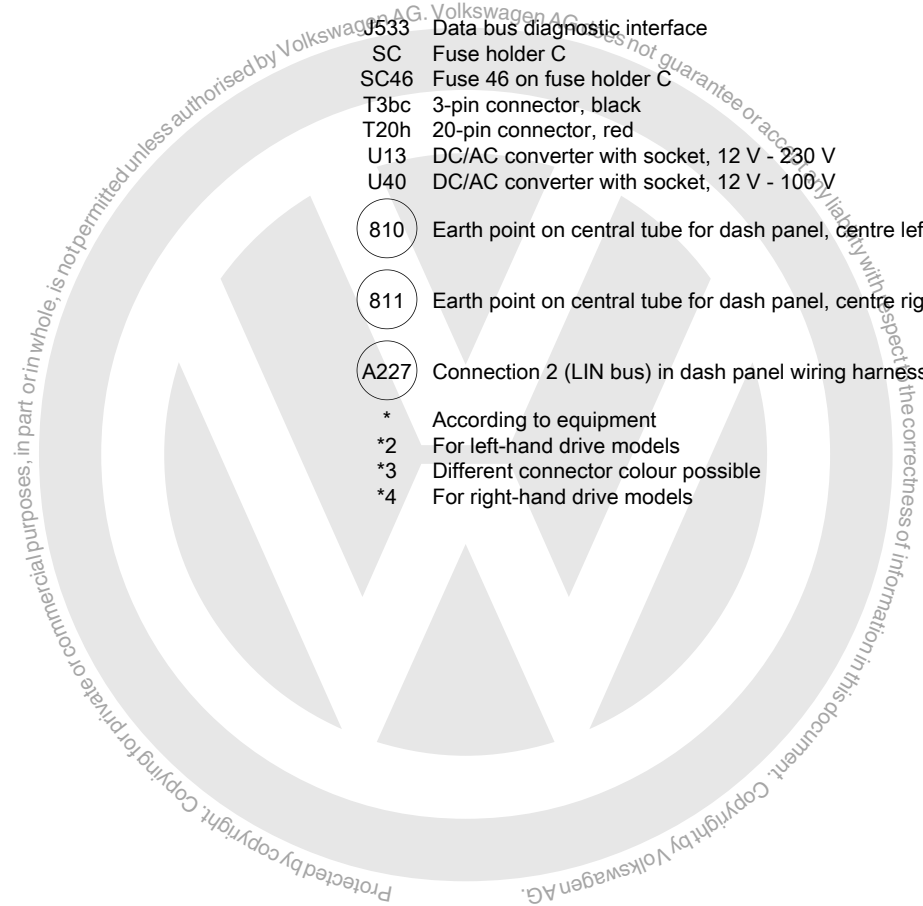
Data bus diagnostic interface, Fuse holder C, DC/AC converter with socket, 12 V - 230 V



- J533 Data bus diagnostic interface
- SC Fuse holder C
- SC46 Fuse 46 on fuse holder C
- T3bc 3-pin connector, black
- T20h 20-pin connector, red
- U13 DC/AC converter with socket, 12 V - 230 V
- U40 DC/AC converter with socket, 12 V - 100 V

- 810 Earth point on central tube for dash panel, centre left
- 811 Earth point on central tube for dash panel, centre right
- A227 Connection 2 (LIN bus) in dash panel wiring harness

- \* According to equipment
- \*2 For left-hand drive models
- \*3 Different connector colour possible
- \*4 For right-hand drive models



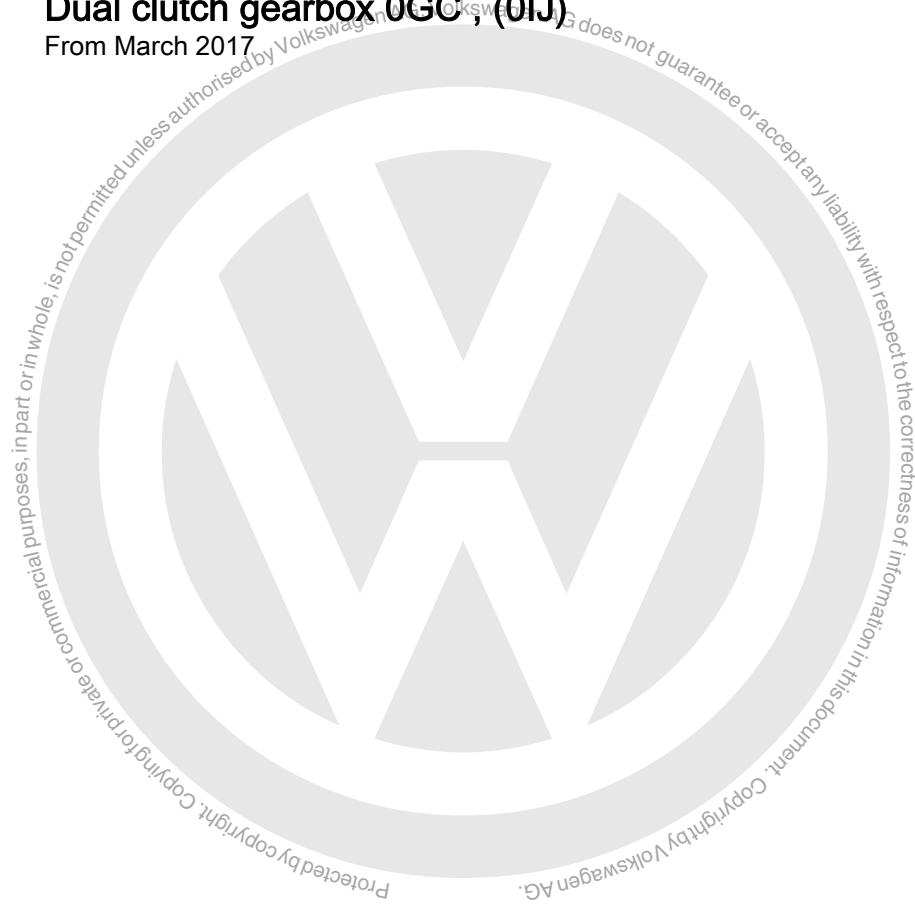
- ws = white
- sw = black
- ro = red
- rt = red
- br = brown
- gn = green
- bl = blue
- gr = grey
- li = purple
- vi = purple
- ge = yellow
- or = orange
- rs = pink



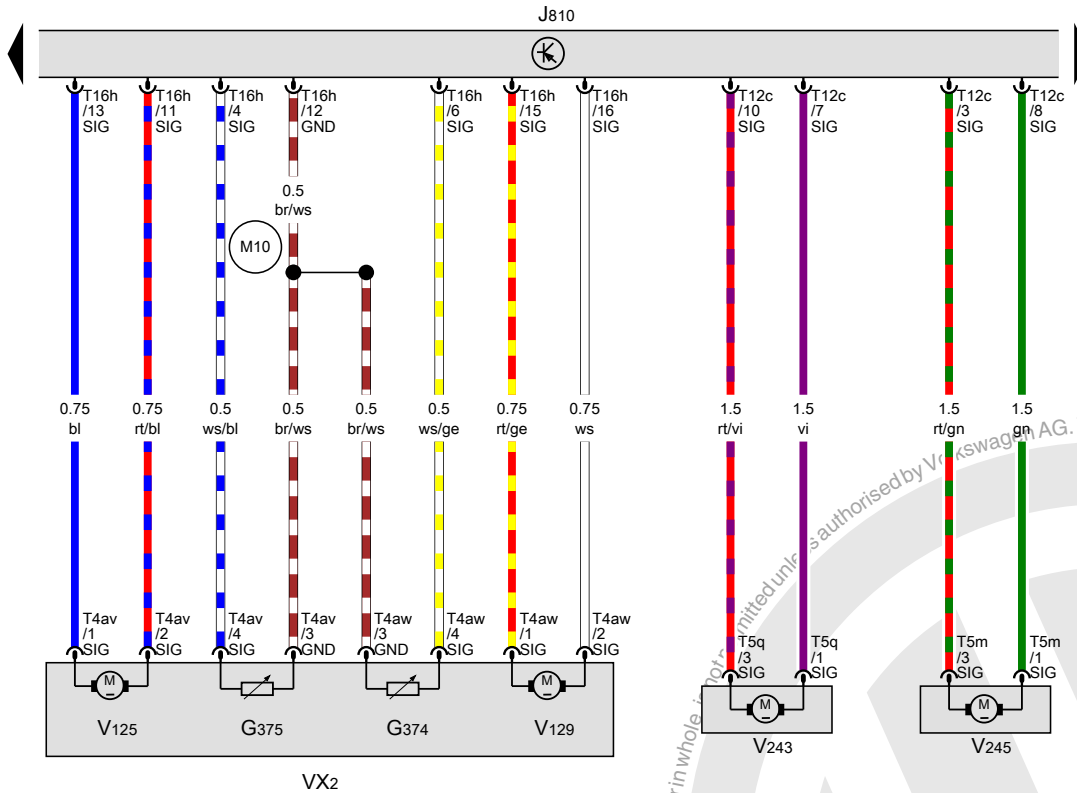
Γ347-045020118

**Dual clutch gearbox 0GC, (0IJ)**

From March 2017



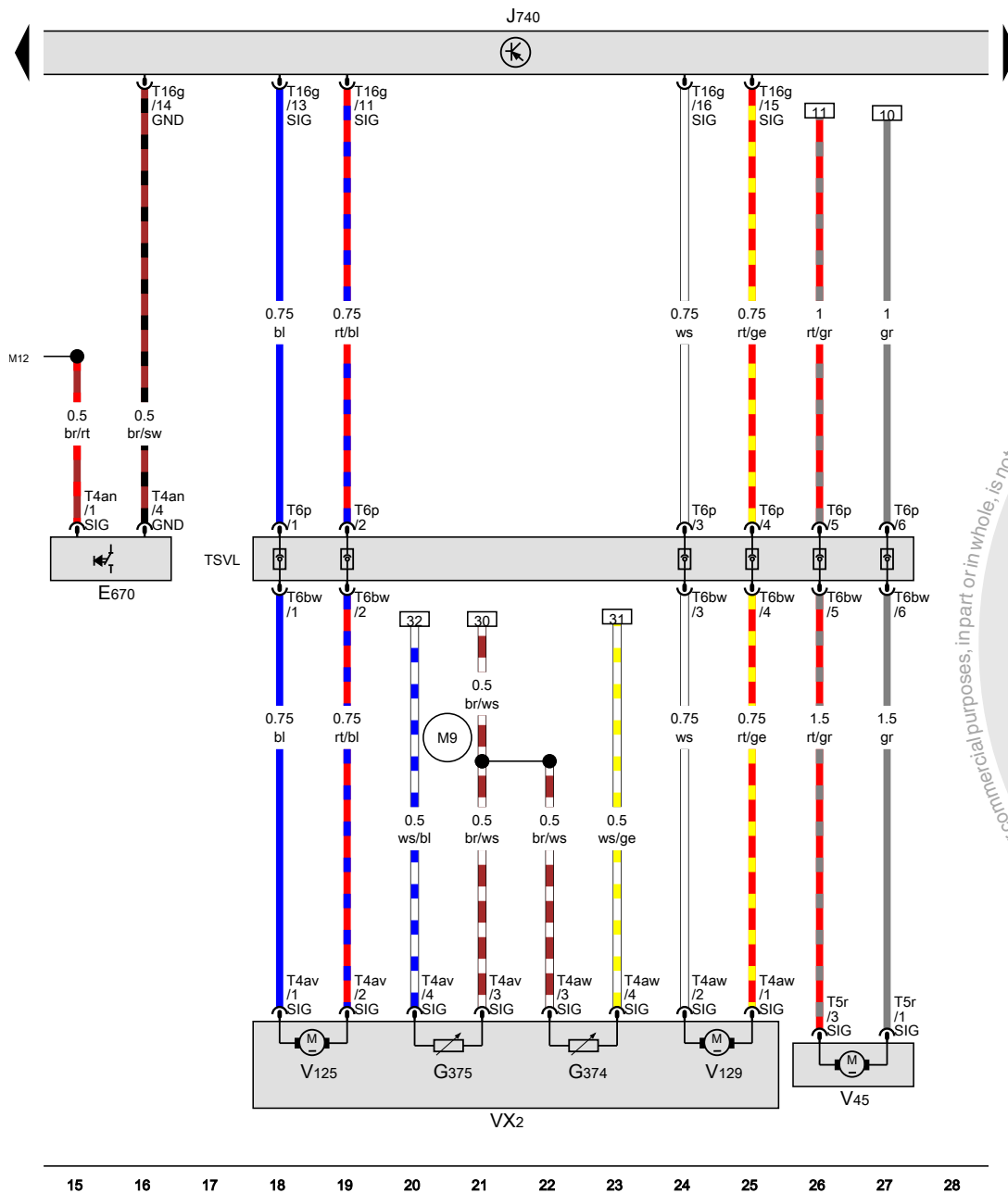
Driver seat adjustment control unit, Lumbar support for driver seat, Driver seat rake adjustment motor, Driver seat height adjustment motor



- G374 Lumbar support height adjustment sender
- G375 Lumbar support longitudinal adjustment sender
- J810 Driver seat adjustment control unit
- T4av 4-pin connector, black
- T4aw 4-pin connector, black
- T5m 5-pin connector, brown
- T5q 5-pin connector, brown
- T12c 12-pin connector, black
- T16h 16-pin connector, black
- VX2 Lumbar support for driver seat
- V125 Driver seat lumbar support longitudinal adjustment motor
- V129 Driver seat lumbar support height adjustment motor
- V243 Driver seat rake adjustment motor
- V245 Driver seat height adjustment motor

M10 Connection 1, in driver seat adjustment wiring harness

- ws = white
- sw = black
- ro = red
- rt = red
- br = brown
- gn = green
- bl = blue
- gr = grey
- li = purple
- vi = purple
- ge = yellow
- or = orange
- rs = pink



Driver seat massage function button, Massage control unit, Lumbar support for driver seat, Driver seat backrest adjustment motor

- E670 Driver seat massage function button
- G374 Lumbar support height adjustment sender
- G375 Lumbar support longitudinal adjustment sender
- J740 Massage control unit
- T4an 4-pin connector, black
- T4av 4-pin connector, black
- T4aw 4-pin connector, black
- T5r 5-pin connector, brown
- T6bw 6-pin connector, black
- T6p 6-pin connector, black
- T16g 16-pin connector, black
- TSVL Coupling point for front left seat
- VX2 Lumbar support for driver seat
- V45 Driver seat backrest adjustment motor
- V125 Driver seat lumbar support longitudinal adjustment motor
- V129 Driver seat lumbar support height adjustment motor

- (M9) Connection, in seat adjustment wiring harness
- (M12) Connection 3, in driver seat adjustment wiring harness

- ws = white
- sw = black
- ro = red
- rt = red
- br = brown
- gn = green
- bl = blue
- gr = grey
- li = purple
- vi = purple
- ge = yellow
- or = orange
- rs = pink

15 16 17 18 19 20 21 22 23 24 25 26 27 28

1347-014030618

**Entry and start authorisation , (4F2),(4I3),(4I6),(4I7),(4F6)**

From March 2017



Component	Chapter	Comment
Lambda probe 1 before catalytic converter -GX10-	⇒ <a href="#">"1.4.4 1.5l petrol engine, DADA, from rear", page 25</a>	
Lambda probe 1 before catalytic converter -GX10-	⇒ <a href="#">"1.5.7 2.0l petrol engine, CZPB, DJHC, DKZA, DLRB, DNUA, from rear", page 33</a>	
Lambda probe 1 before catalytic converter -GX10-	⇒ <a href="#">"1.6.4 2.0l diesel engine, CRGA, DBGA, DFGA, DFHA, from rear", page 37</a>	
Lambda probe 1 before catalytic converter -GX10-	⇒ <a href="#">"1.7.4 2.0l bi-turbo diesel engine, CUAU, from rear", page 41</a>	
Charge pressure sender -GX26-	⇒ <a href="#">"1.4.1 1.5l petrol engine, DADA, from front", page 21</a>	
Control unit for NOx sender -GX30-	⇒ <a href="#">"1.3.1 Front, view from right, part 1", page 19</a>	
Engine temperature regulation module -GX33-	⇒ <a href="#">"1.4.1 1.5l petrol engine, DADA, from front", page 21</a>	
Charge pressure control module -GX34-	⇒ <a href="#">"1.4.4 1.5l petrol engine, DADA, from rear", page 25</a>	
Charge pressure control module -GX34-	⇒ <a href="#">"1.5.4 2.0l petrol engine, CZPB, DKZA, from left", page 30</a>	
Charge pressure control module -GX34-	⇒ <a href="#">"1.5.5 2.0l petrol engine, DJHC, DLRB, DNUA, from left", page 31</a>	
Anti-theft alarm system horn -H8-	⇒ <a href="#">"1.3.2 Front, view from right, part 2", page 20</a>	For American markets
Alarm horn -H12-	⇒ <a href="#">"1.3.2 Front, view from right, part 2", page 20</a>	
Left horn -H33-	⇒ <a href="#">"1.1 Front, view from front", page 14</a>	
Right horn -H34-	⇒ <a href="#">"1.1 Front, view from front", page 14</a>	
ABS control unit -J104-	⇒ <a href="#">"1.2.2 Front, view from left, part 2", page 17</a>	
Automatic gearbox control unit -J217-	⇒ <a href="#">"1.3.2 Front, view from right, part 2", page 20</a>	For American markets
Vacuum pump relay -J318-	⇒ <a href="#">"1.4.1 1.5l petrol engine, DADA, from front", page 21</a>	Up to July 2018 From July 2018, see Fitting locations: Relays
Auxiliary heater control unit -J364-	⇒ <a href="#">"1.3.1 Front, view from right, part 1", page 19</a>	
Battery monitor control unit -J367-	⇒ <a href="#">"1.2.2 Front, view from left, part 2", page 17</a>	for models with battery in engine compartment
Wiper motor control unit -J400-	⇒ <a href="#">"1.2.1 Front, view from left, part 1", page 16</a>	
Adaptive cruise control unit -J428-	⇒ <a href="#">"1.1 Front, view from front", page 14</a>	
Power steering control unit -J500-	⇒ <a href="#">"1.2.2 Front, view from left, part 2", page 17</a>	
Engine/motor control unit -J623-	⇒ <a href="#">"1.3.2 Front, view from right, part 2", page 20</a>	
Turbocharger 1 control unit -J724-	⇒ <a href="#">"1.7.4 2.0l bi-turbo diesel engine, CUAU, from rear", page 41</a>	
Mechatronic unit for dual clutch gearbox -J743-	⇒ <a href="#">"1.8.1 Dual clutch gearbox 0GC", page 42</a>	
Mechatronic unit for dual clutch gearbox -J743-	⇒ <a href="#">"1.8.2 Dual clutch gearbox 0DL", page 43</a>	
Mechatronic unit for dual clutch gearbox -J743-	⇒ <a href="#">"1.8.3 Dual clutch gearbox 0D9", page 44</a>	
Control unit for structure-borne sound -J869-	⇒ <a href="#">"1.3.1 Front, view from right, part 1", page 19</a>	

◆ ⇒ "1.3.2 Front, view from right, part 2", page 20

### 1.3.1 Front, view from right, part 1

A - 6-pin connector -T6ab- , black/  
6-pin connector -T6ba- , black

- For models with high-power engine

1 - Trigger 2 for pedestrian protection -G599-

2 - Heated windscreen -Z2-

- Connection on right
- 1-pin connector -T1ex-
- Fitting location of connection on left ⇒ [Item 5 \(page 19\)](#)

3 - Actuator for structure-borne sound -R214-

4 - Control unit for structure-borne sound -J869-

5 - Heated windscreen -Z2-

- Connection on left
- 1-pin connector -T1ew-
- Fitting location of connection on right ⇒ [Item 2 \(page 19\)](#)

6 - Control unit for NOx sender -GX30-

7 - Actuator for engine temperature regulation -N493-

8 - Auxiliary heater control unit -J364-

9 - Pressure sender for refrigerant circuit -G805-

10 - Front right vehicle level sender -G289-

11 - Front right brake pad wear sender -G35-

12 - Front right shock absorber damping adjustment valve -N337-

13 - Front right speed sensor -G45-

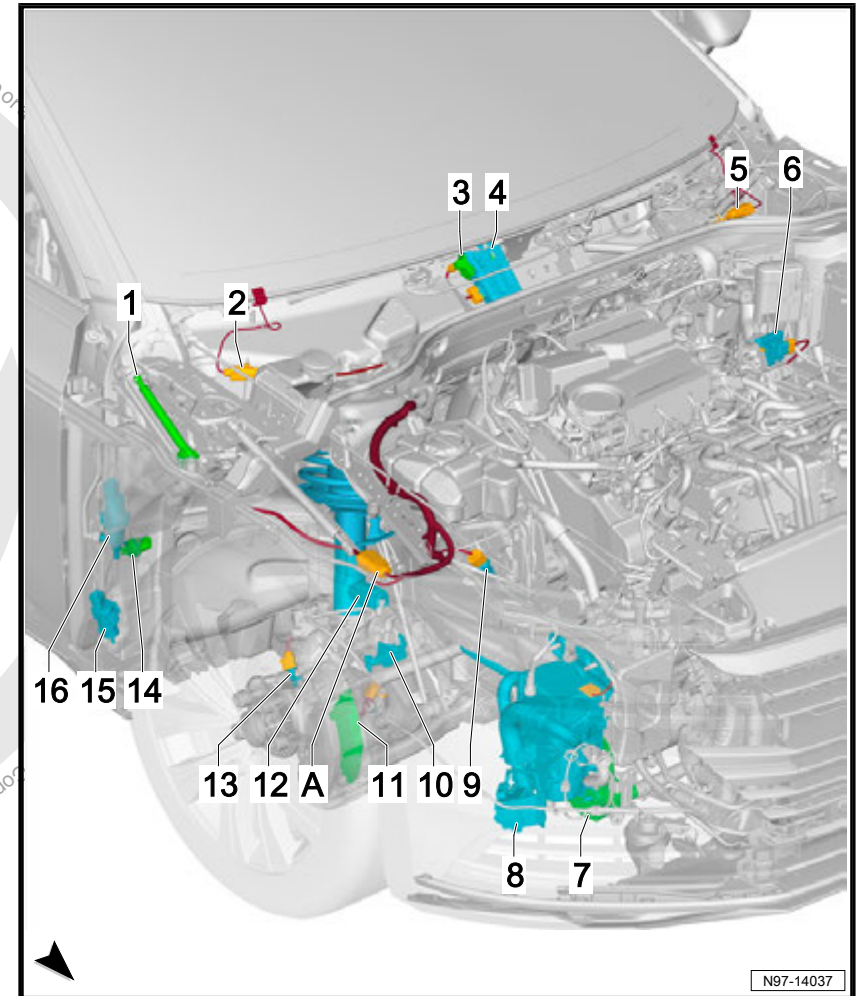
14 - Windscreen washer fluid level sender -G33-

- For models with high-power engine
- Fitting location for models with no high-power engine ⇒ [Item 9 \(page 18\)](#)

15 - Washer pump -V5-

- For models with high-power engine
- Fitting location for models with no high-power engine ⇒ [Item 8 \(page 18\)](#)

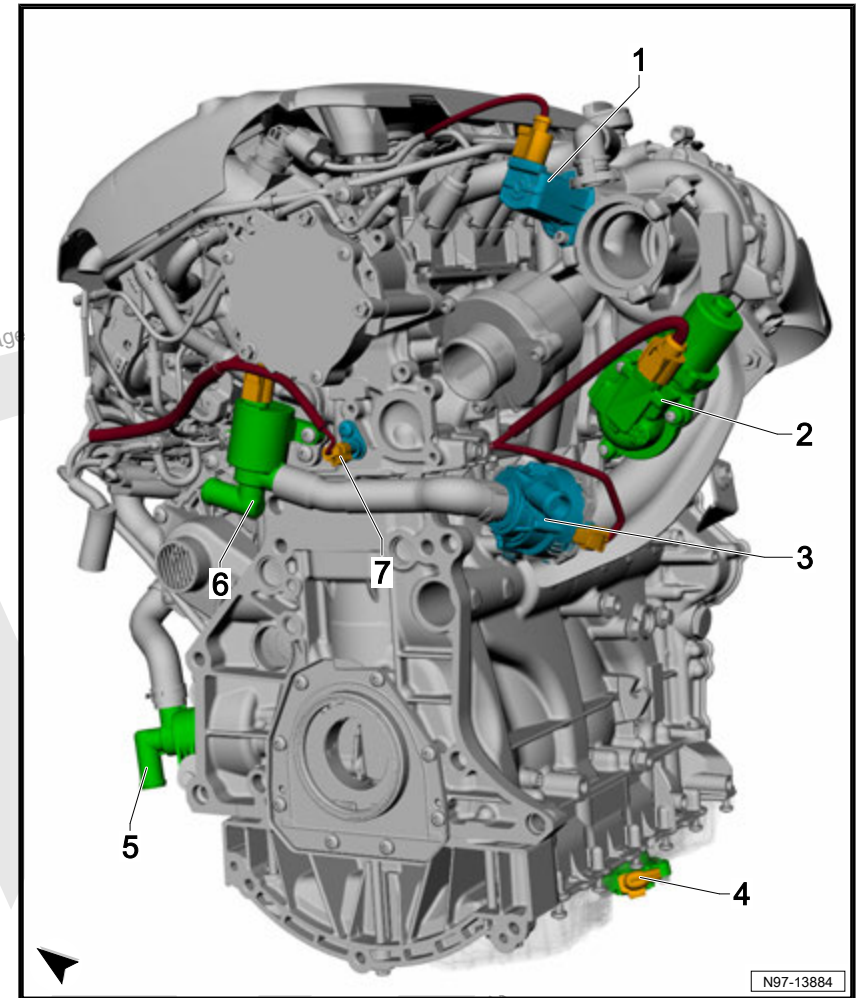
16 - Headlight washer system pump -V11-



Back to overview ⇒ [page 1](#)

1.5.5 2.0l petrol engine, DJHC, DLRB, DNUA, from left

- 1 - Turbocharger air recirculation valve -N249-
- 2 - Charge pressure control module -GX34-
- 3 - Auxiliary pump for heating -V488-
- 4 - Oil level and oil temperature sender -G266-
- 5 - Auxiliary hydraulic pump 1 for gearbox oil -V475-
- 6 - Coolant shut-off valve -N82-
- 7 - Coolant temperature sender -G62-

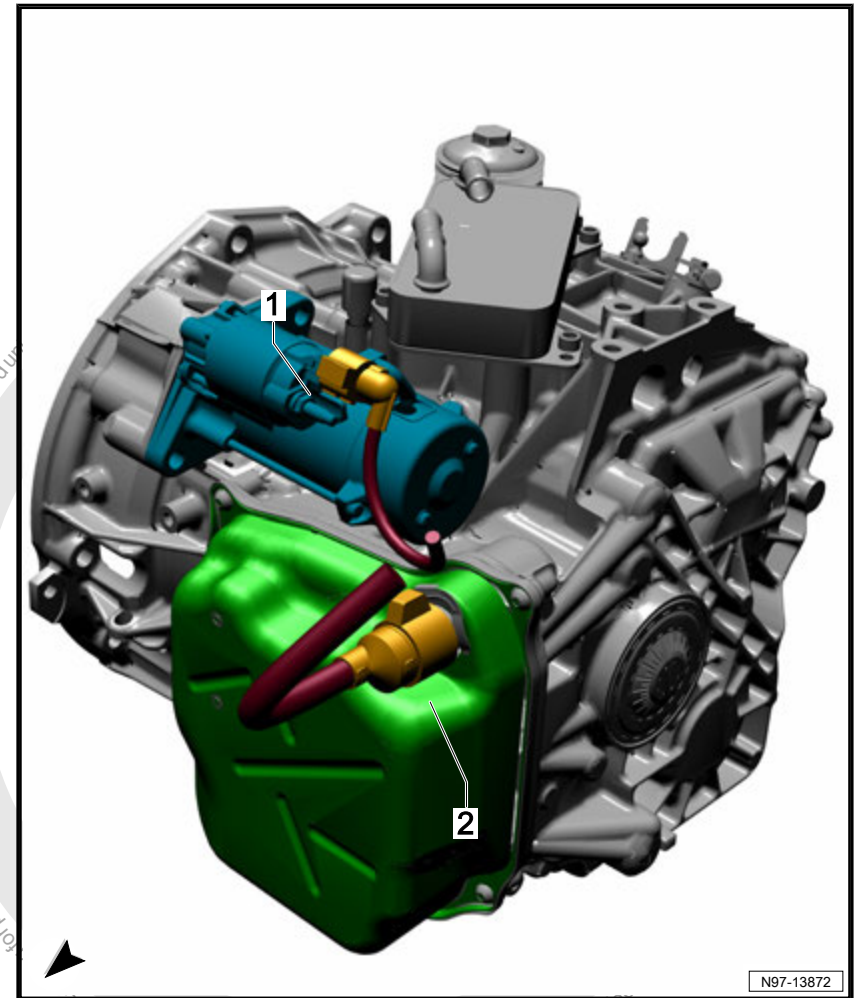


Back to overview ⇒ [page 1](#)

### 1.8.2 Dual clutch gearbox, 0DL

1 - Starter -B-

2 - Mechatronic unit for dual clutch gearbox -J743-

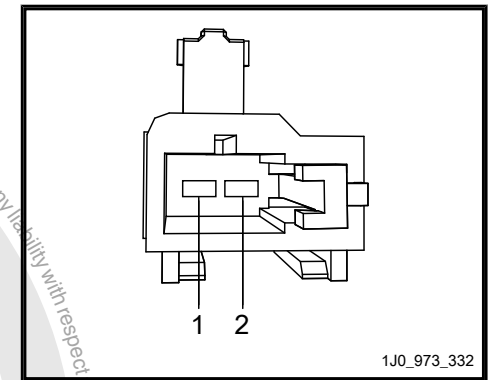
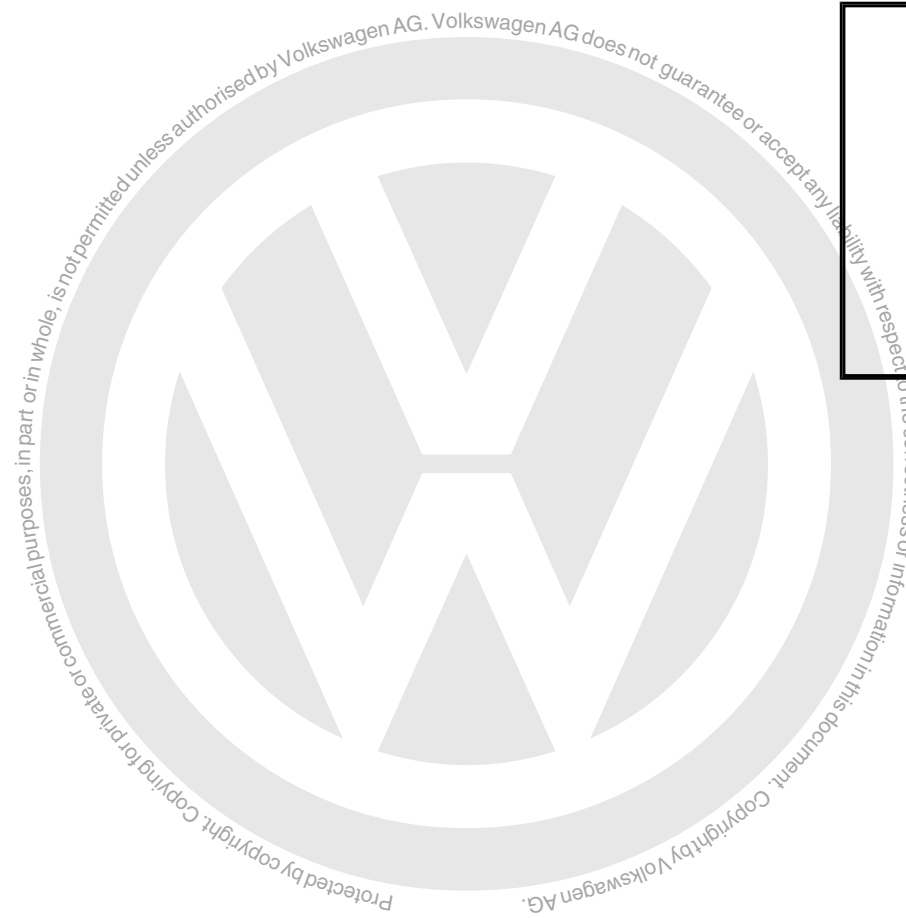


**2 Driver side belt switch -E24-**

◆ ⇒ ["2.1 Connector T2jx", page 3](#)

**2.1 Connector -T2jx-**

Connector -T2jx-



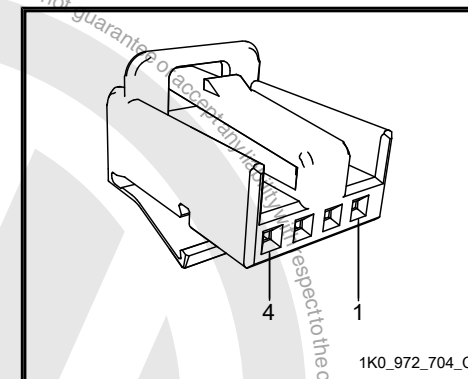
1J0\_973\_332

14 Electric hinged tow coupling attachment button -E474-

◆ ⇒ ["14.1 Connector T4cb", page 15](#)

14.1 Connector -T4cb-

Connector -T4cb-



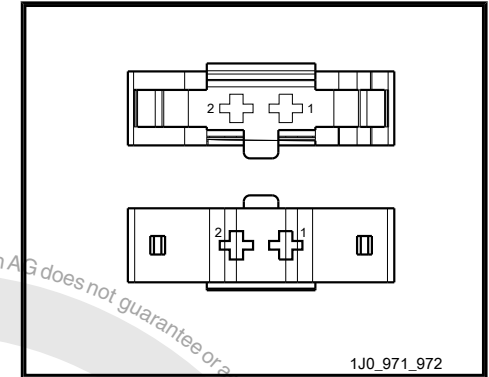
Protected by copyright. Copying for private or commercial purposes, in part or in whole, is not permitted unless authorised by Volkswagen AG. Volkswagen AG does not guarantee the correctness of information in this document. Copyright by Volkswagen AG.

25 Driver exterior door handle -EX6-

- ◆ ⇒ "25.1 Connector T2li", page 27
- ◆ ⇒ "25.2 Connector T4cz", page 27

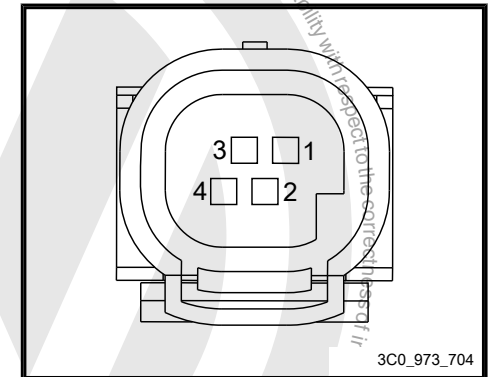
25.1 Connector -T2li-

Connector -T2li-



25.2 Connector -T4cz-

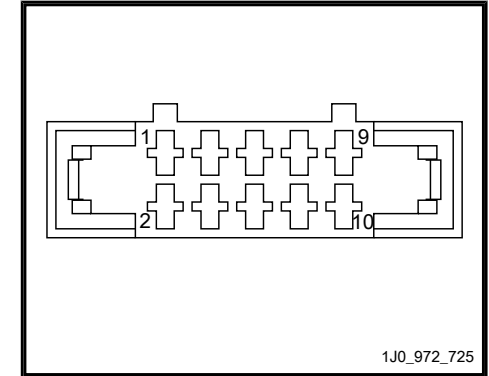
Connector -T4cz-



Protected by copyright. Copying for private or commercial purposes, in part or in whole, is not permitted unless authorised by Volkswagen AG. Volkswagen AG does not guarantee or accept any liability with respect to the correctness of information in this document. Copyright by Volkswagen AG.

35.3 Connector -T10o-

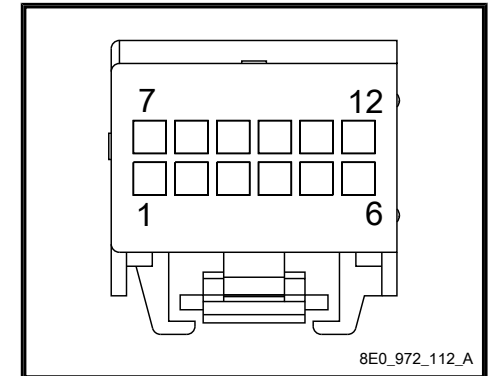
Connector -T10o-



1J0\_972\_725

35.4 Connector -T12b-

Connector -T12b-



8E0\_972\_112\_A

Protected by copyright. Copying for private or commercial purposes, in part or in whole, is not permitted unless authorised by Volkswagen AG. Volkswagen AG does not guarantee or accept any liability with respect to the correctness of information in this document. Copyright by Volkswagen AG.

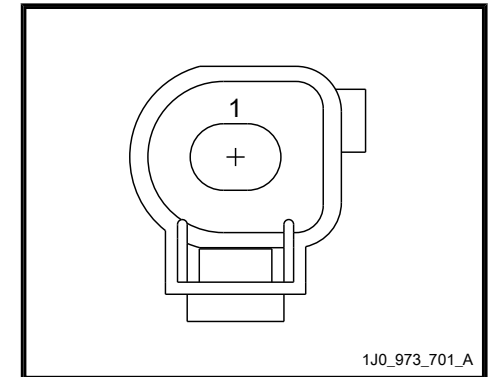
3 Oil pressure switch -F1-

◆ ⇒ ["3.1 Connector T1ab", page 3](#)

◆ ⇒ ["3.2 Connector T2g", page 3](#)

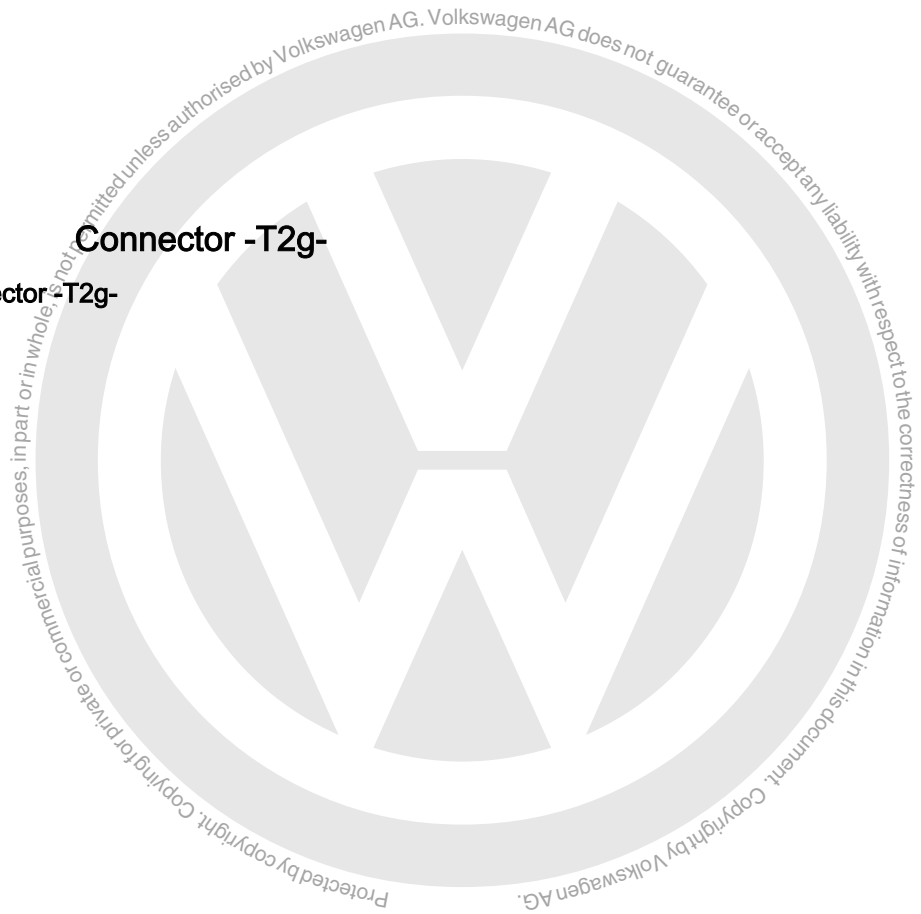
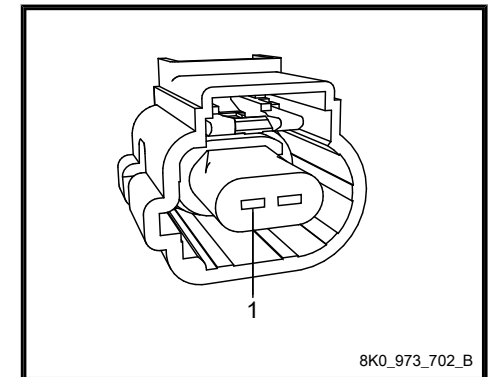
3.1 Connector -T1ab-

Connector -T1ab-



3.2 Connector -T2g-

Connector -T2g-



**1 Connector views: parts with prefix G**

- ◆ ⇒ [“2 Oil pressure sender G10”, page 5](#)
- ◆ ⇒ [“3 Ambient temperature sensor G17”, page 6](#)
- ◆ ⇒ [“4 Engine speed sender G28”, page 7](#)
- ◆ ⇒ [“5 Charge pressure sender G31”, page 9](#)
- ◆ ⇒ [“6 Coolant shortage indicator sender G32”, page 11](#)
- ◆ ⇒ [“7 Windscreen washer fluid level sender G33”, page 12](#)
- ◆ ⇒ [“8 Front right brake pad wear sender G35”, page 13](#)
- ◆ ⇒ [“9 Hall sender G40”, page 14](#)
- ◆ ⇒ [“10 Intake air temperature sender G42”, page 15](#)
- ◆ ⇒ [“11 Rear right speed sensor G44”, page 16](#)
- ◆ ⇒ [“12 Front right speed sensor G45”, page 17](#)
- ◆ ⇒ [“13 Rear left speed sensor G46”, page 18](#)
- ◆ ⇒ [“14 Front left speed sensor G47”, page 19](#)
- ◆ ⇒ [“15 Knock sensor 1 G61”, page 20](#)
- ◆ ⇒ [“16 Coolant temperature sender G62”, page 21](#)
- ◆ ⇒ [“17 Water separator sender G63”, page 23](#)
- ◆ ⇒ [“18 Air mass meter G70”, page 24](#)
- ◆ ⇒ [“19 Rear left vehicle level sender G76”, page 25](#)
- ◆ ⇒ [“20 Front left vehicle level sender G78”, page 26](#)
- ◆ ⇒ [“21 Fuel temperature sender G81”, page 27](#)
- ◆ ⇒ [“22 Engine outlet coolant temperature sender G82”, page 28](#)
- ◆ ⇒ [“23 Radiator outlet coolant temperature sender G83”, page 29](#)
- ◆ ⇒ [“24 Sunlight penetration photosensor G107”, page 30](#)
- ◆ ⇒ [“25 Seat occupied sensor, front passenger side G128”, page 31](#)
- ◆ ⇒ [“26 Left vent temperature sender G150”, page 32](#)

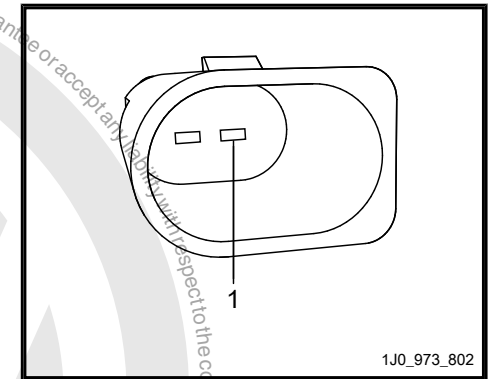


8 Front right brake pad wear sender -G35-

◆ ⇒ ["8.1 Connector T2fc", page 13](#)

8.1 Connector -T2fc-

Connector -T2fc-



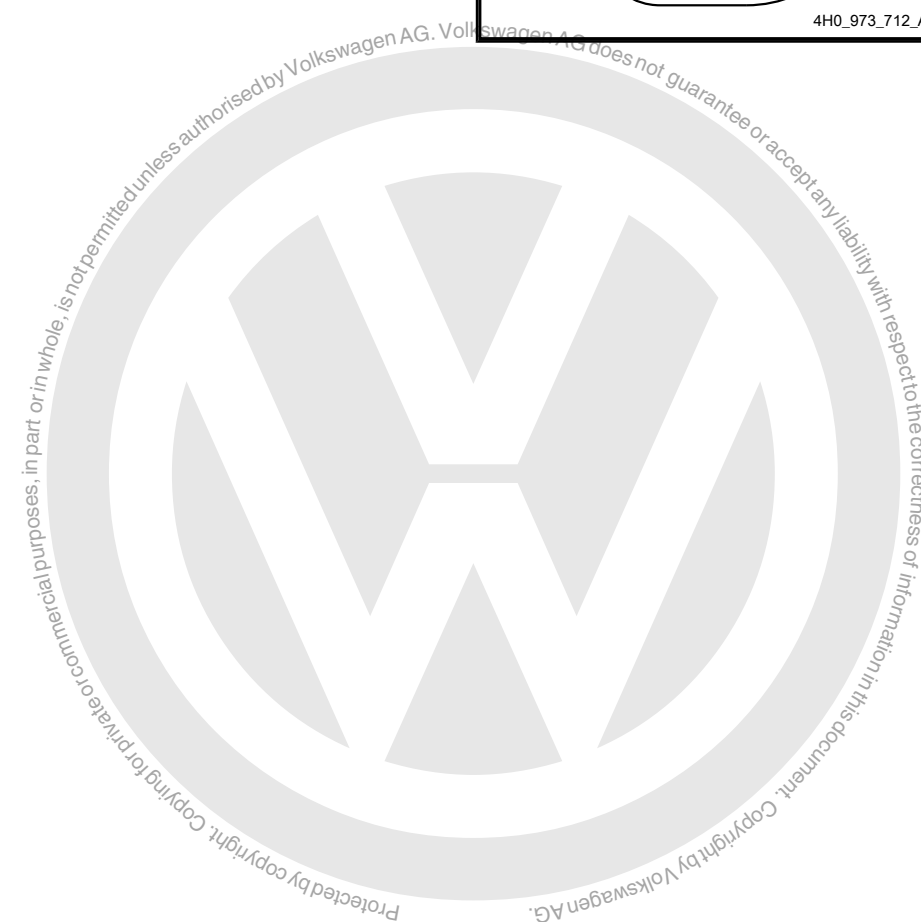
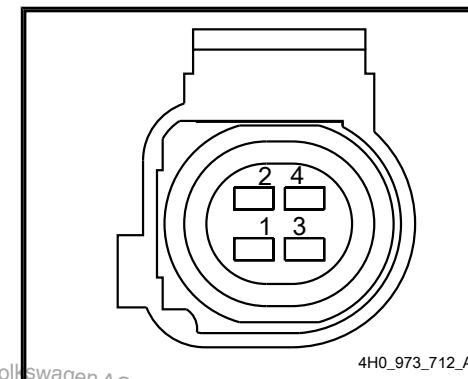
Protected by copyright. Copying for private or commercial purposes, in part or in whole, is not permitted unless authorised by Volkswagen AG. Volkswagen AG does not guarantee the correctness of information in this document. Copyright by Volkswagen AG.

19 Rear left vehicle level sender -G76-

◆ ⇒ ["19.1 Connector T4bt", page 25](#)

19.1 Connector -T4bt-

Connector -T4bt-

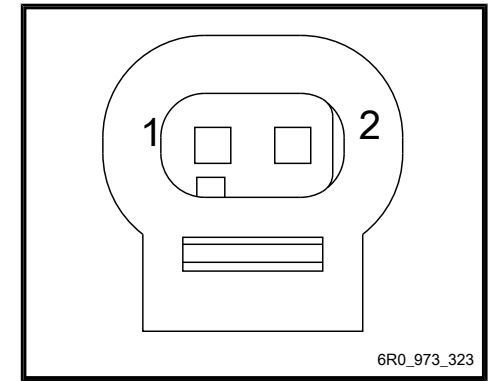


31 Side airbag crash sensor on front passenger side -G180-

◆ ⇒ ["31.1 Connector T2cb", page 37](#)

31.1 Connector -T2cb-

Connector -T2cb-

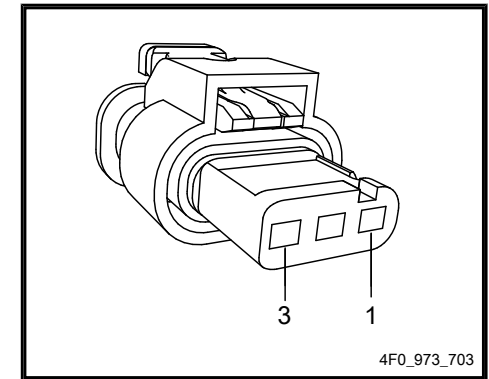


43 Front left parking aid sender -G255-

◆ ⇒ ["43.1 Connector T3aa", page 49](#)

43.1 Connector -T3aa-

Connector -T3aa-



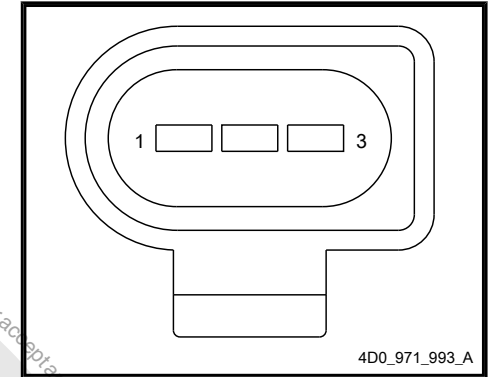
55 Fuel pressure sender for low pressure -G410-

◆ ⇒ ["55.1 Connector T3k", page 61](#)

◆ ⇒ ["55.2 Connector T4h", page 61](#)

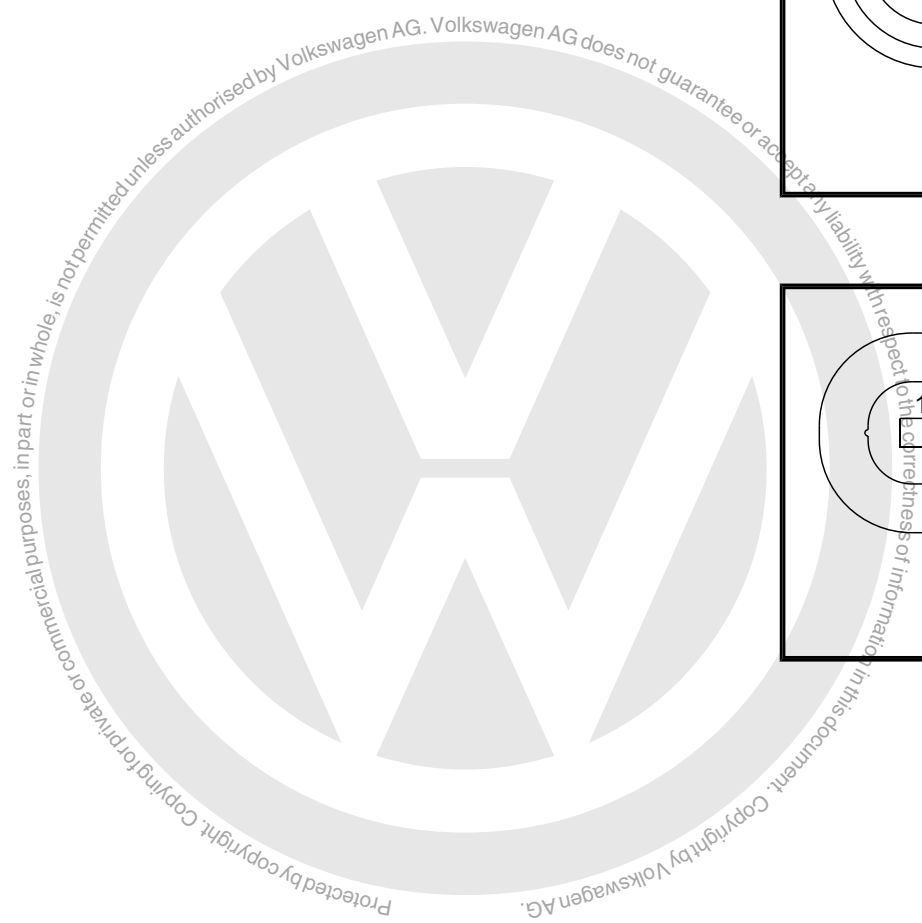
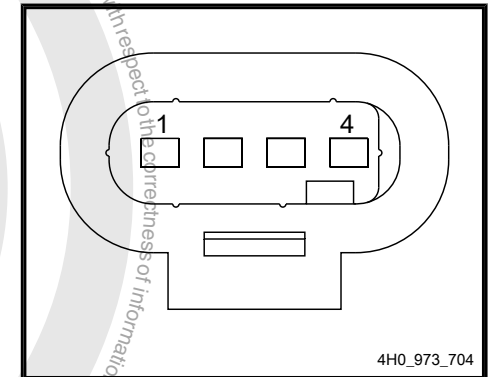
55.1 Connector -T3k-

Connector -T3k-



55.2 Connector -T4h-

Connector -T4h-

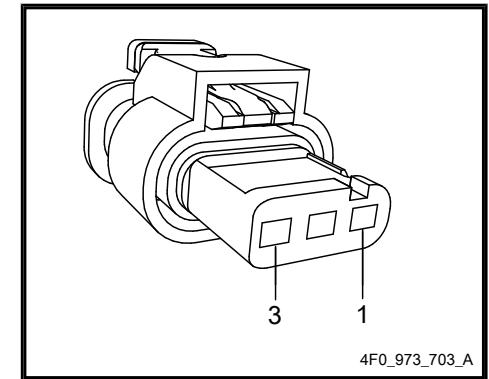


66 Front right sender for park assist steering on right side of vehicle -G569-

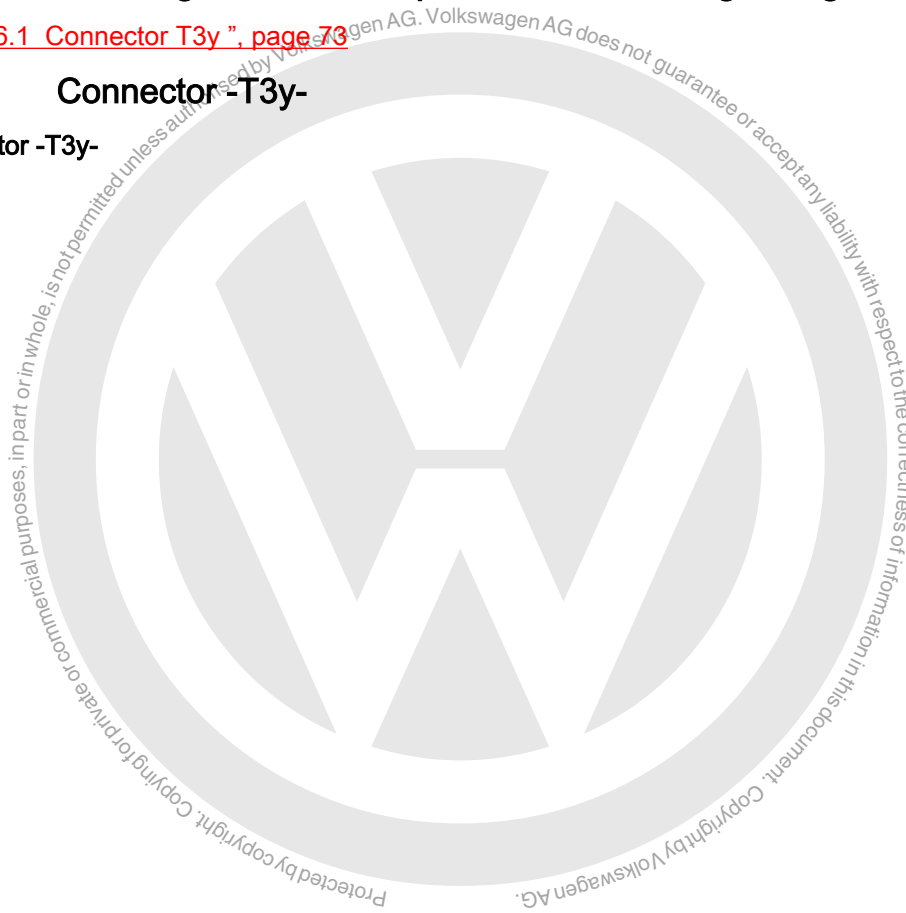
◆ ⇒ "66.1 Connector T3y", page 73

66.1 Connector -T3y-

Connector -T3y-



4F0\_973\_703\_A

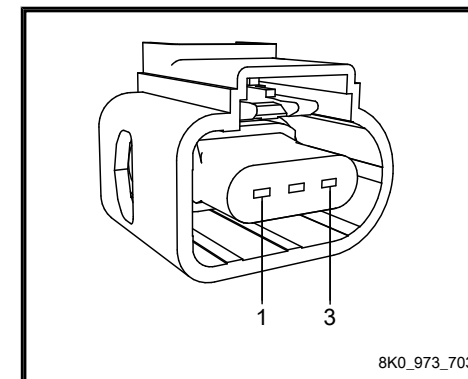


**78 Pressure sender 2 for exhaust gas recirculation -G692-**

◆ ⇒ ["78.1 Connector T3d", page 85](#)

**78.1 Connector -T3d-**

Connector -T3d-



8K0\_973\_703



90 Fuel delivery unit -GX1-

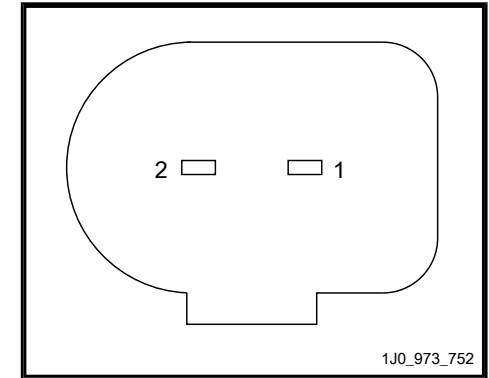
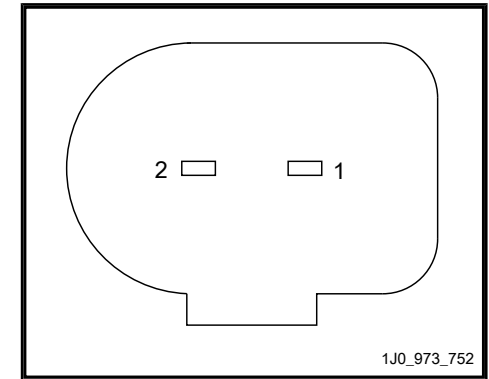
- ◆ ⇒ [“90.1 Connector T2gd”, page 97](#)
- ◆ ⇒ [“90.2 Connector T2re”, page 97](#)
- ◆ ⇒ [“90.3 Connector T3bg”, page 98](#)
- ◆ ⇒ [“90.4 Connector T4bx”, page 98](#)
- ◆ ⇒ [“90.5 Connector T5ad”, page 99](#)
- ◆ ⇒ [“90.6 Connector T6cb”, page 99](#)

90.1 Connector -T2gd-

Connector -T2gd-

90.2 Connector -T2re-

Connector -T2re-

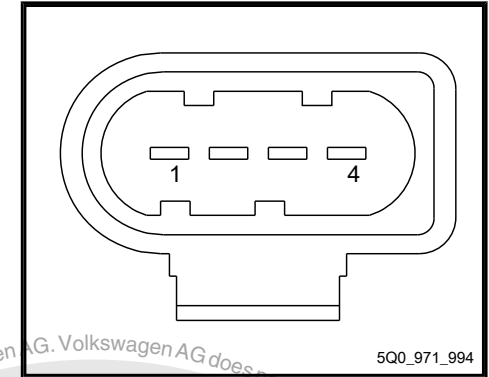


98 Delivery unit for reducing agent metering system -GX19-

- ◆ ⇒ ["98.1 Connector T4cf", page 109](#)
- ◆ ⇒ ["98.2 Connector T5ag", page 109](#)

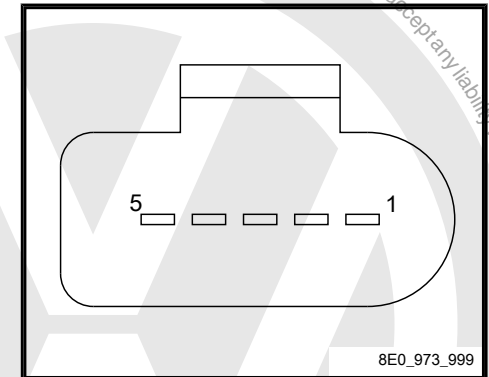
98.1 Connector -T4cf-

Connector -T4cf-



98.2 Connector -T5ag-

Connector -T5ag-



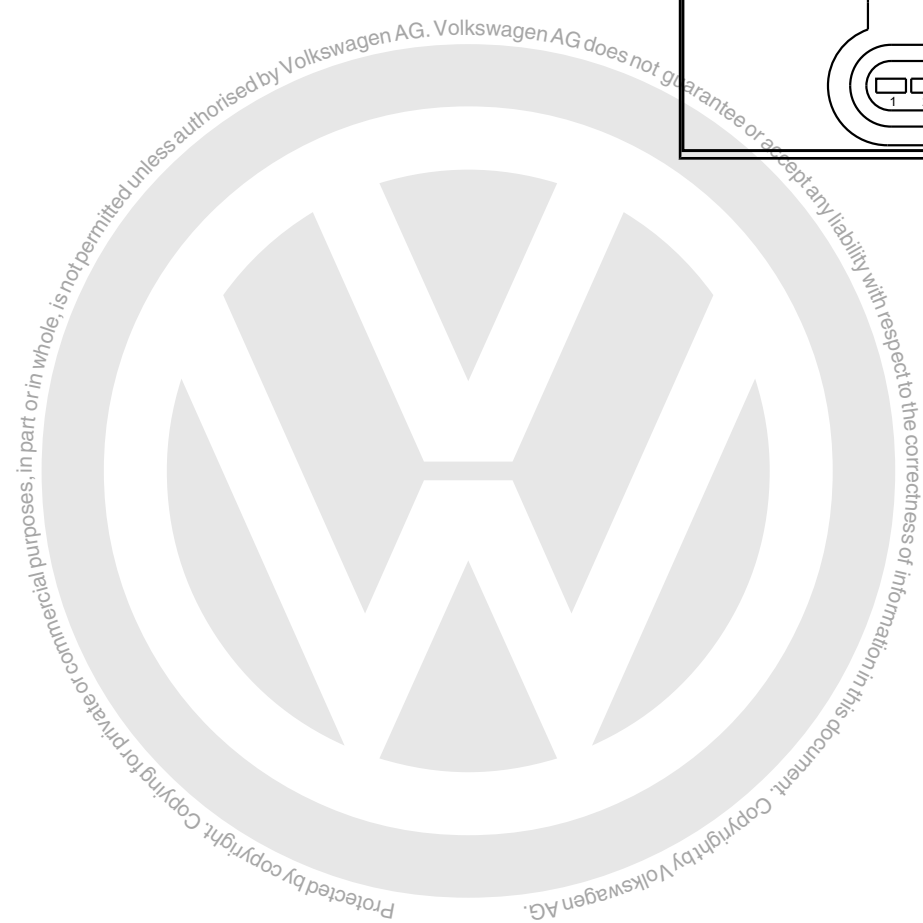
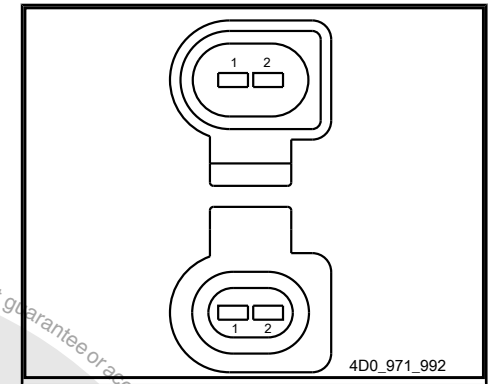
Protected by copyright. Copying for private or commercial purposes, in part or in whole, is not permitted unless authorised by Volkswagen AG. Volkswagen AG does not guarantee or accept any liability with respect to the correctness of information in this document. Copyright by Volkswagen AG.

7 Left horn -H33-

◆ ⇒ ["7.1 Connector T2ec", page 7](#)

7.1 Connector -T2ec-

Connector -T2ec-

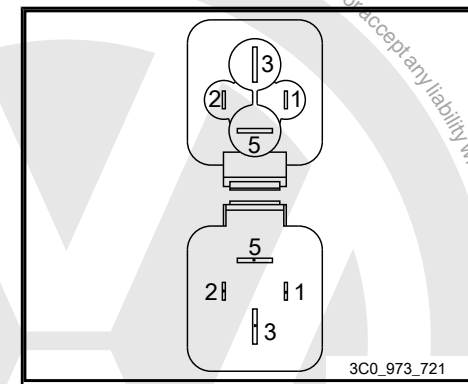


8 Vacuum pump relay -J318-

◆ ⇒ ["8.1 Connector T4eb", page 11](#)

8.1 Connector -T4eb-

Connector -T4eb-



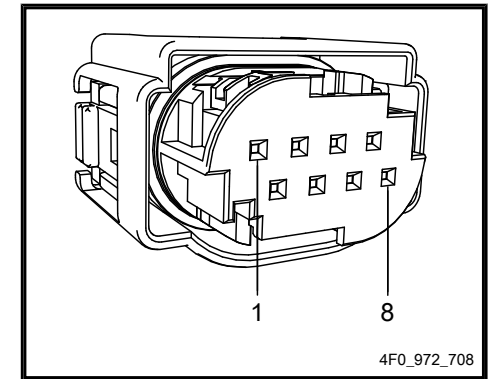
Protected by copyright. Copying for private or commercial purposes, in part or in whole, is not permitted unless authorised by Volkswagen AG. Volkswagen AG does not guarantee or accept any liability with respect to the correctness of information in this document. Copyright by Volkswagen AG.

15 Adaptive cruise control unit -J428-

◆ ⇒ ["15.1 Connector T8a", page 23](#)

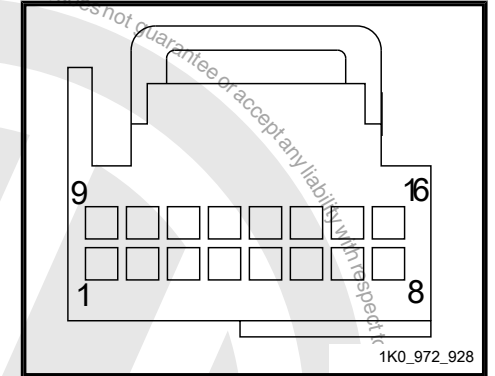
15.1 Connector -T8a-

Connector -T8a-



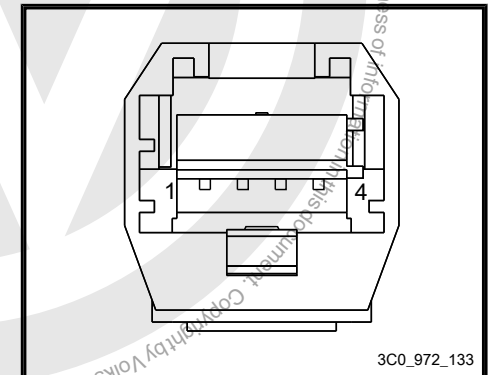
24.3 Connector -T16j-

Connector -T16j-



24.4 Connector -T4bl-

Connector -T4bl-

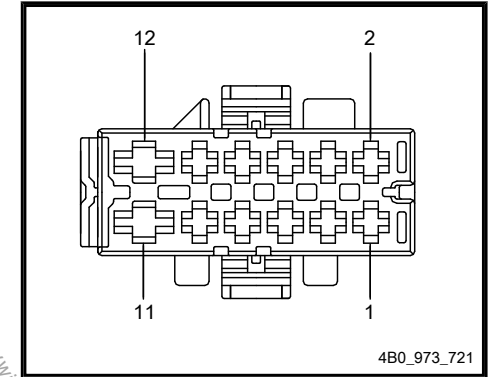


33 Massage control unit -J740-

- ◆ ⇒ ["33.1 Connector T12a", page 47](#)
- ◆ ⇒ ["33.2 Connector T16g", page 47](#)

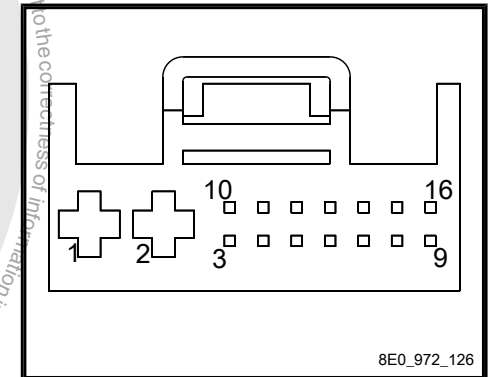
33.1 Connector -T12a-

Connector -T12a-



33.2 Connector -T16g-

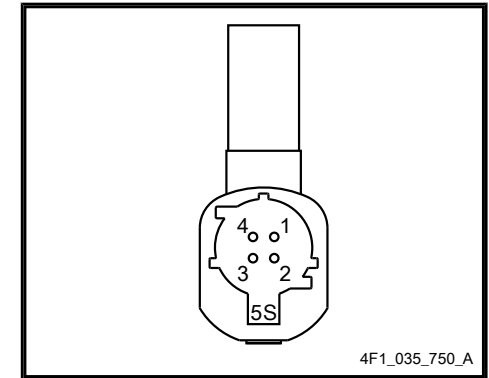
Connector -T16g-



Protected by copyright. Copying for private or commercial purposes, in part or in whole, is not permitted unless authorised by Volkswagen AG. Volkswagen AG does not guarantee or accept any liability with respect to the correctness of information in this document. Copyright by Volkswagen AG.

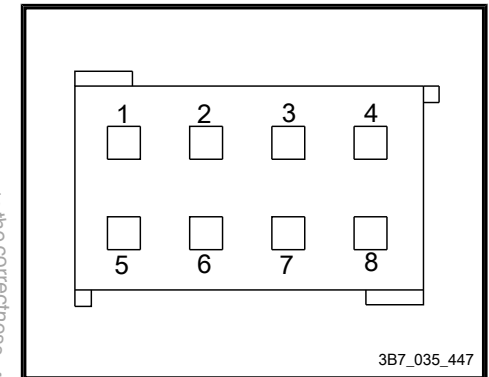
**39.12 Connector -T5ar-**

Connector -T5ar-



**39.13 Connector -T8ac-**

Connector -T8ac-



**45 Control unit for reducing agent heater -J891-**

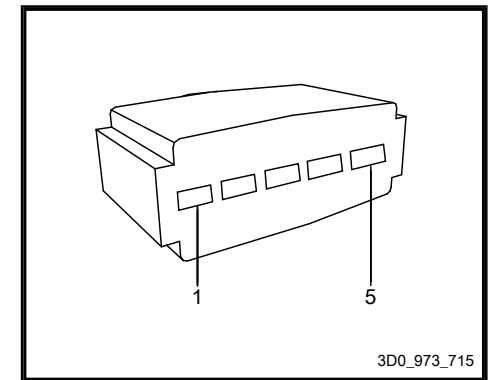
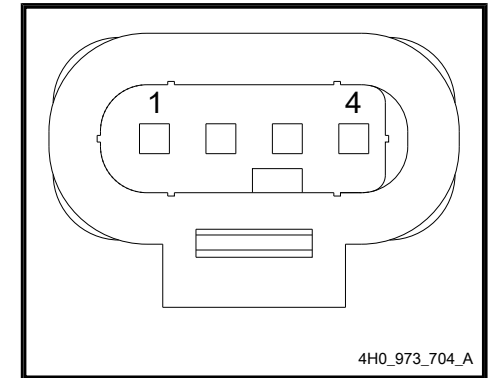
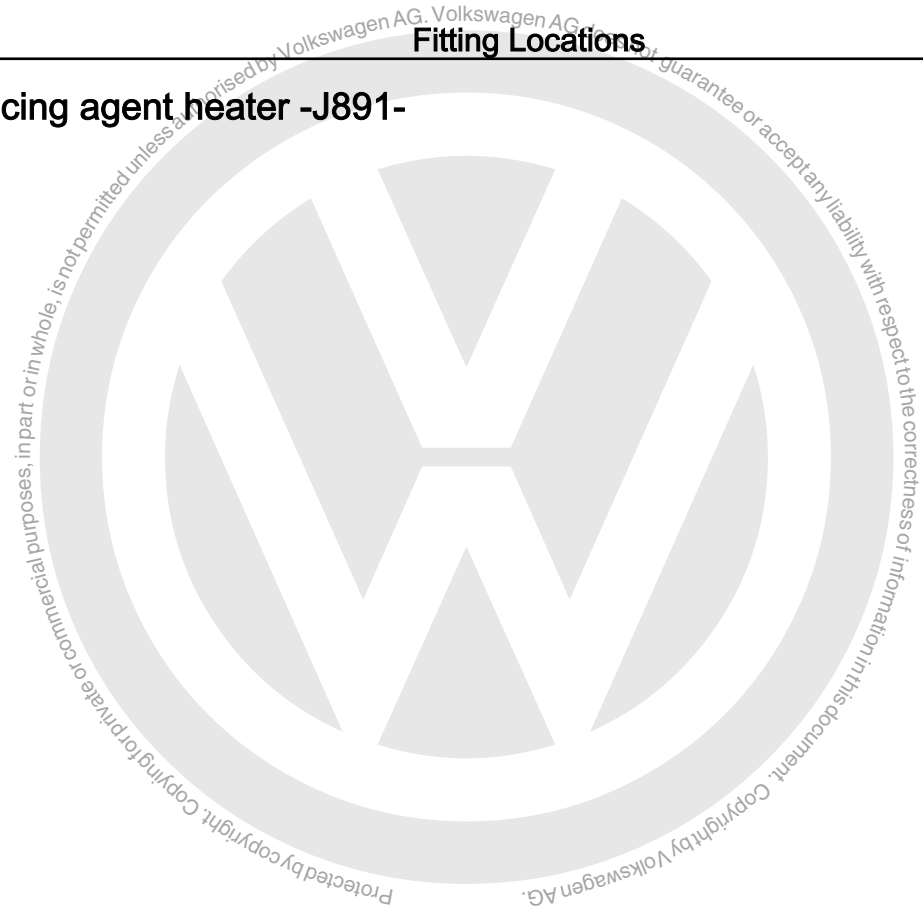
- ◆ ⇒ [“45.1 Connector T4dt”, page 71](#)
- ◆ ⇒ [“45.2 Connector T5af”, page 71](#)
- ◆ ⇒ [“45.3 Connector T5bw”, page 72](#)

**45.1 Connector -T4dt-**

Connector -T4dt-

**45.2 Connector -T5af-**

Connector -T5af-

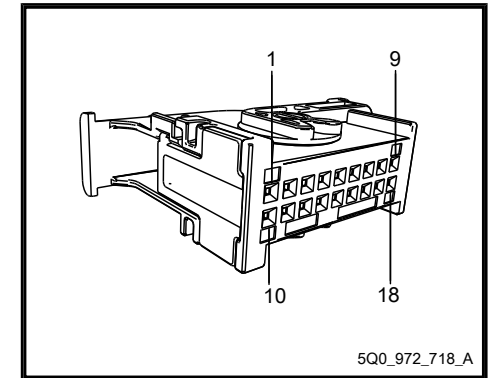


50 Control unit for overhead view camera -J928-

- ◆ ⇒ ["50.1 Connector T18c", page 83](#)
- ◆ ⇒ ["50.2 Connector T2fe", page 83](#)
- ◆ ⇒ ["50.3 Connector T5al", page 84](#)
- ◆ ⇒ ["50.4 Connector T5at", page 84](#)
- ◆ ⇒ ["50.5 Connector T5ay", page 85](#)
- ◆ ⇒ ["50.6 Connector T5az", page 85](#)

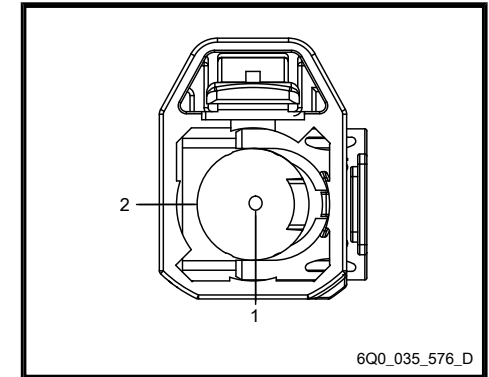
50.1 Connector -T18c-

Connector -T18c-



50.2 Connector -T2fe-

Connector -T2fe-



CLICK HERE TO **DOWNLOAD** THE COMPLETE MANUAL

- Thank you very much for reading the preview of the manual.
- You can download the complete manual from: [www.heydownloads.com](http://www.heydownloads.com) by clicking the link below



- Please note: If there is no response to CLICKING the link, please download this PDF first and then click on it.

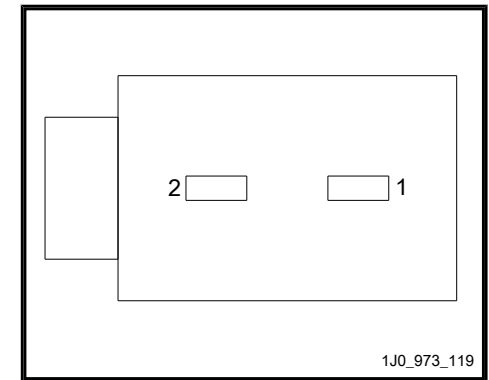
CLICK HERE TO **DOWNLOAD** THE COMPLETE MANUAL

2 Central locking SAFELOCK function warning lamp -K133-

◆ ⇒ ["2.1 Connector T2cn", page 3](#)

2.1 Connector -T2cn-

Connector -T2cn-



13 Light 2 for front left door background lighting -L203-

◆ ⇒ "13.1 Connector T2cp", page 15

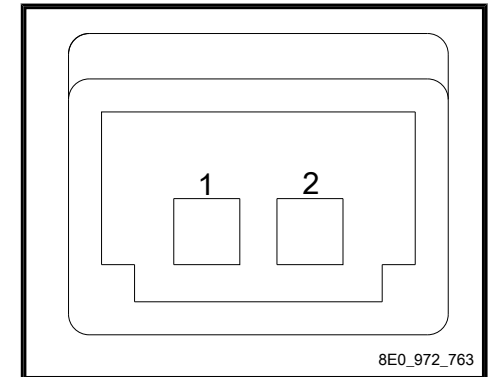
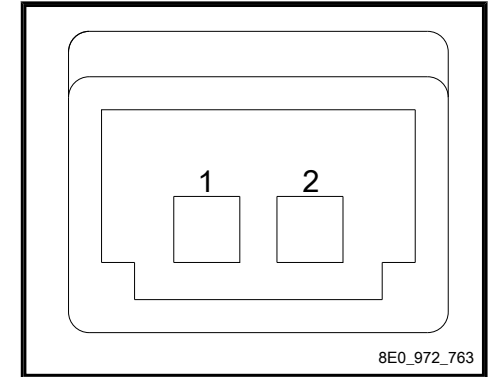
◆ ⇒ "13.2 Connector T2pi", page 15

13.1 Connector -T2cp-

Connector -T2cp-

13.2 Connector -T2pi-

Connector -T2pi-

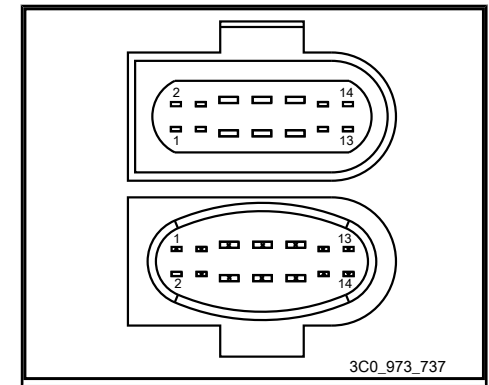


25 Front right headlight -MX2-

◆ ⇒ ["25.1 Connector T14k", page 27](#)

25.1 Connector -T14k-

Connector -T14k-

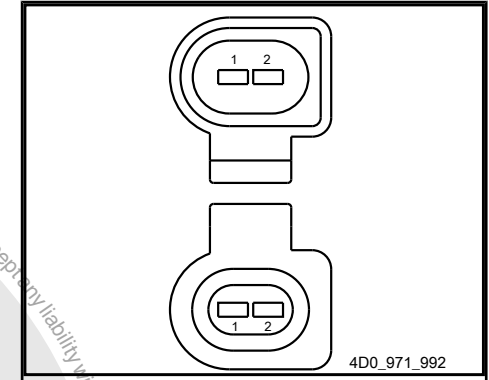


2 Injector, cylinder 1 -N30-

- ◆ ⇒ [“2.1 Connector T2b”, page 4](#)
- ◆ ⇒ [“2.2 Connector T2jm”, page 4](#)
- ◆ ⇒ [“2.3 Connector T2kl”, page 5](#)
- ◆ ⇒ [“2.4 Connector T2oz”, page 5](#)

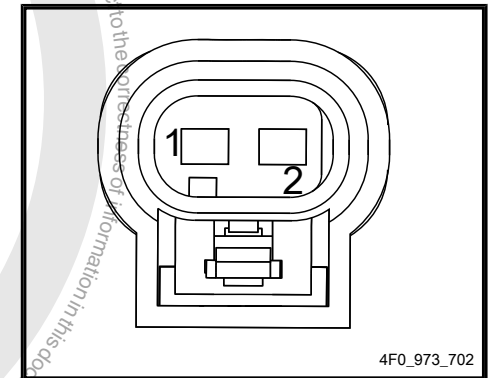
2.1 Connector -T2b-

Connector -T2b-



2.2 Connector -T2jm-

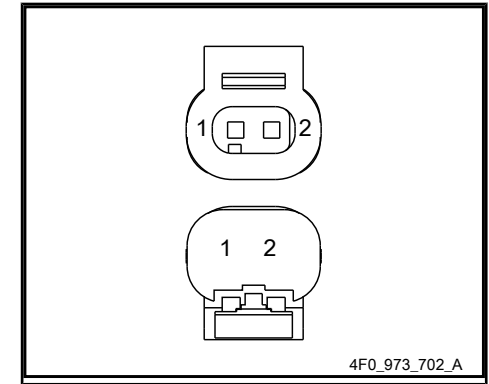
Connector -T2jm-



Protected by copyright. Copying for private or commercial purposes, in part or in whole, is not permitted unless authorised by Volkswagen AG. Volkswagen AG does not guarantee or accept any liability with respect to the correctness of information in this document. Copyright by Volkswagen AG.

9.3 Connector -T2r-

Connector -T2r-

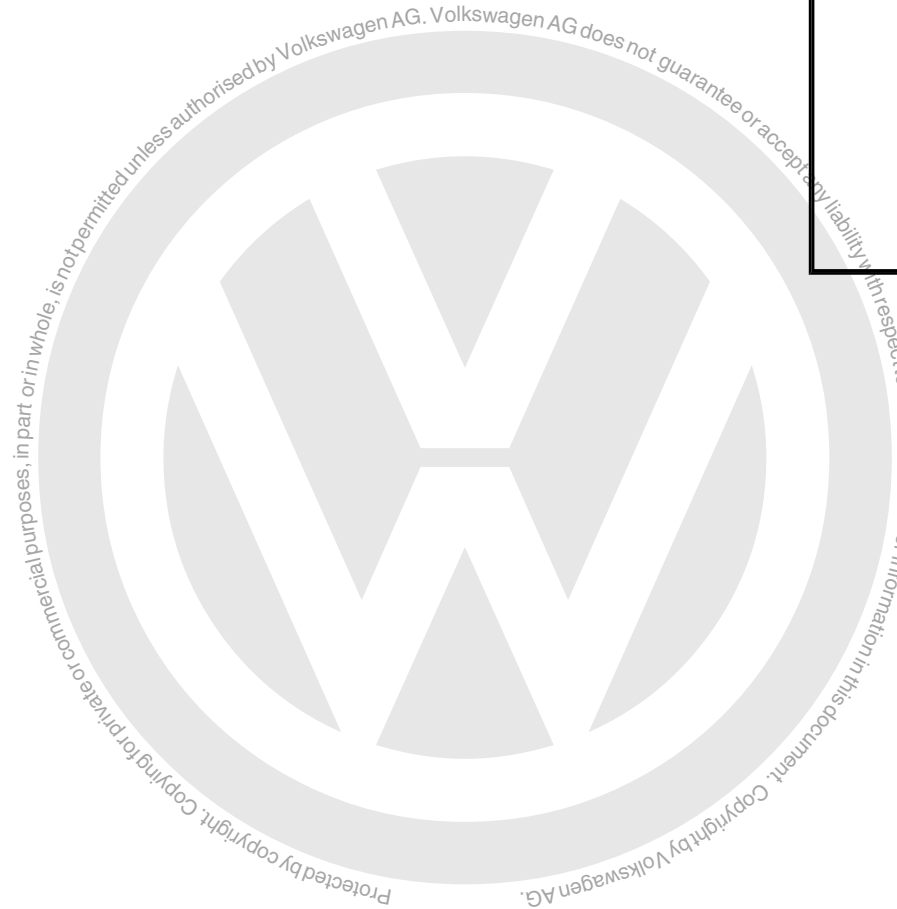
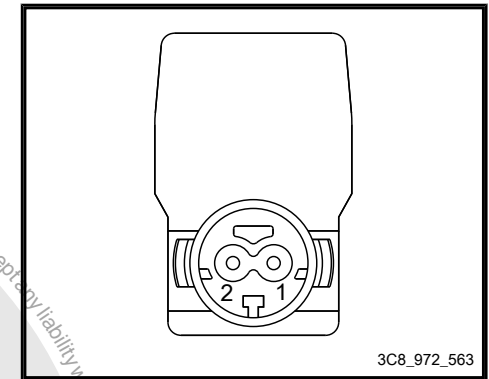


21 Rear side airbag igniter on passenger side -N202-

◆ ⇒ ["21.1 Connector T3bh", page 28](#)

21.1 Connector -T3bh-

Connector -T3bh-

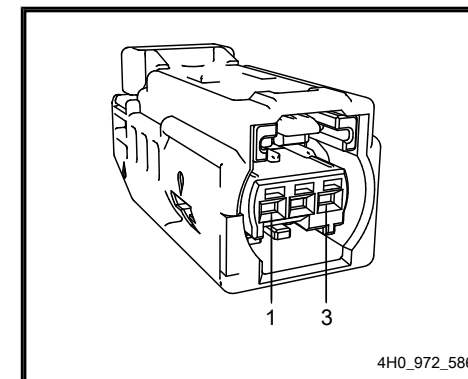


33 Igniter for driver side seat belt tensioner 2 -N297-

◆ ⇒ ["33.1 Connector T3ed", page 40](#)

33.1 Connector -T3ed-

Connector -T3ed-

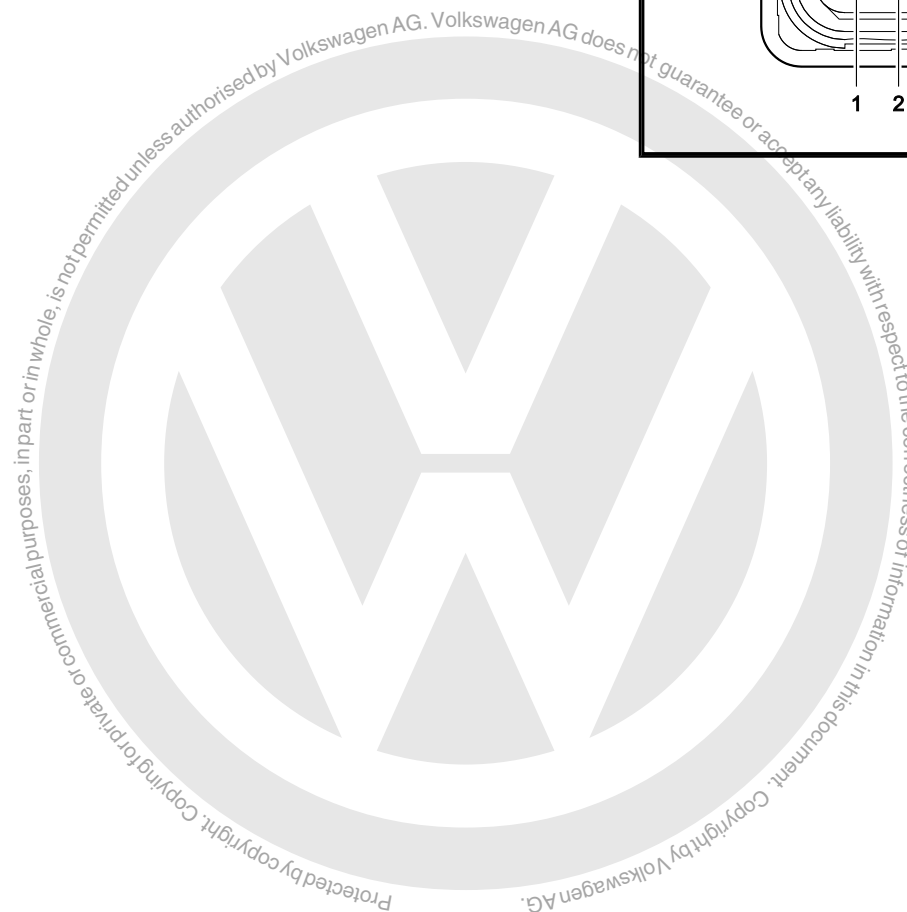
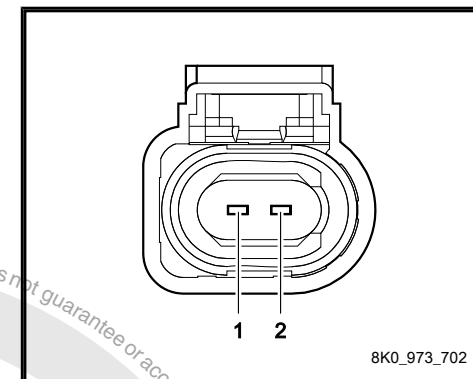


44 Coolant valve for gearbox -N488-

◆ ⇒ ["44.1 Connector T2ap", page 52](#)

44.1 Connector -T2ap-

Connector -T2ap-

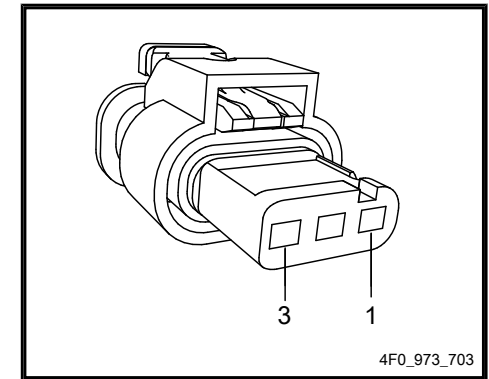


56 Inlet cam actuator for cylinder 2 -N583-

◆ ⇒ ["56.1 Connector T3dv"](#), page 64

56.1 Connector -T3dv-

Connector -T3dv-

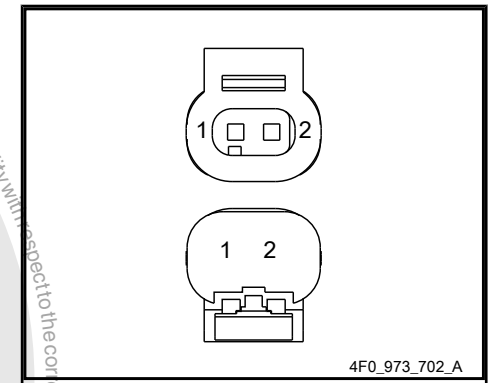
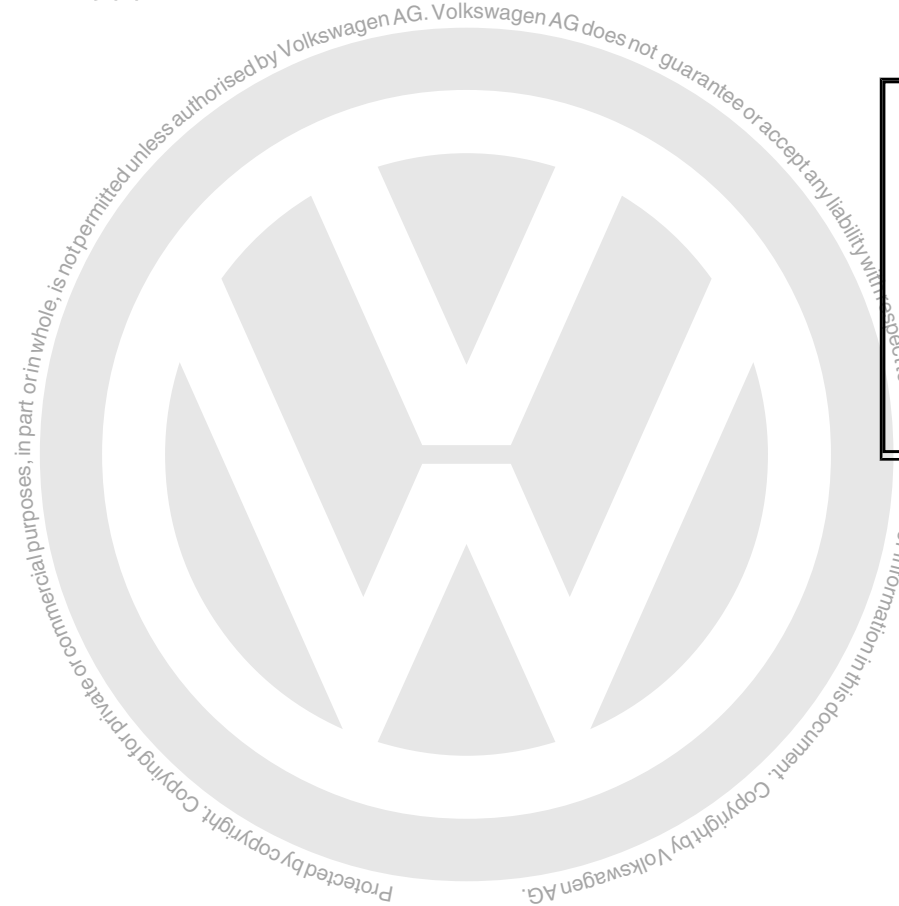


68 Inlet cam actuator A for cylinder 4 -N600-

◆ ⇒ ["68.1 Connector T2kv", page 76](#)

68.1 Connector -T2kv-

Connector -T2kv-



77 Front right seat belt -NX11-

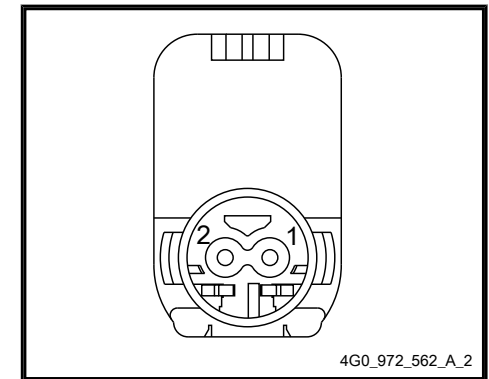
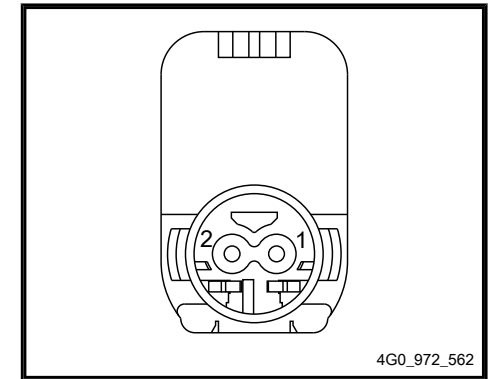
- ◆ ⇒ [“77.1 Connector T2gp”, page 88](#)
- ◆ ⇒ [“77.2 Connector T2of”, page 88](#)
- ◆ ⇒ [“77.3 Connector T2pn”, page 89](#)
- ◆ ⇒ [“77.4 Connector T5ai”, page 89](#)
- ◆ ⇒ [“77.5 Connector T5bt”, page 90](#)

77.1 Connector -T2gp-

Connector -T2gp-

77.2 Connector -T2of-

Connector -T2of-



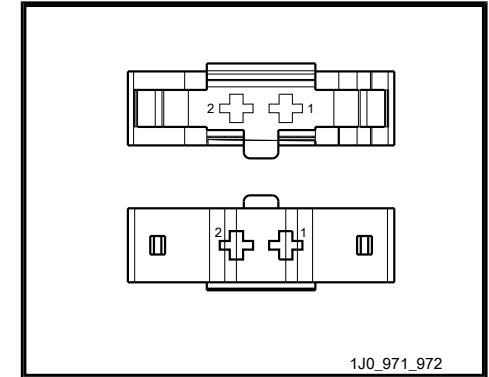
### 3 Rear left treble loudspeaker -R14-

◆ ⇒ [“3.1 Connector T2cg”, page 4](#)

◆ ⇒ [“3.2 Connector T2dc”, page 4](#)

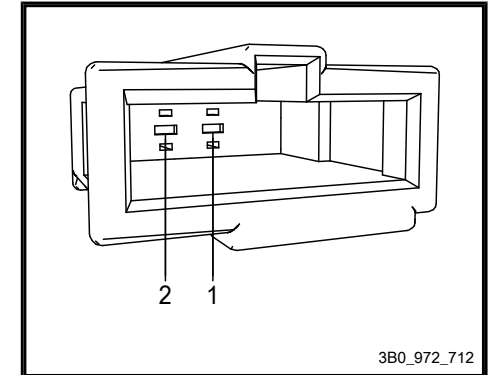
#### 3.1 Connector -T2cg-

Connector -T2cg-



#### 3.2 Connector -T2dc-

Connector -T2dc-

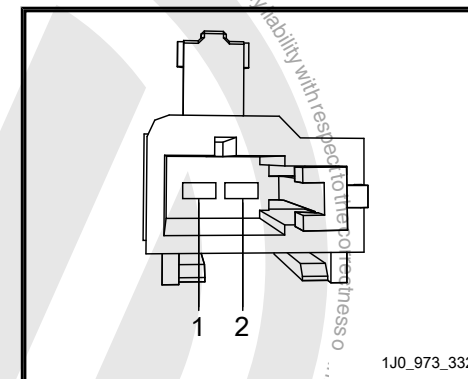


15 Front right mid-range loudspeaker -R104-

◆ ⇒ ["15.1 Connector T2cy", page 16](#)

15.1 Connector -T2cy-

Connector -T2cy-



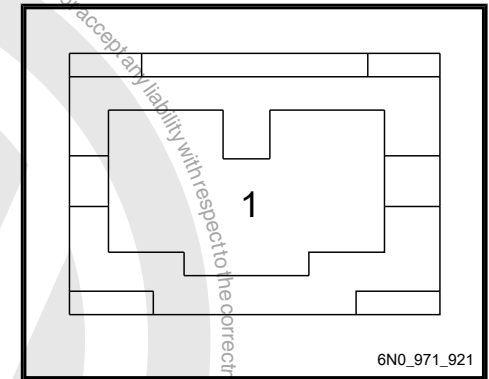
Protected by copyright. Copying for private or commercial purposes, in part or in whole, is not permitted unless authorised by Volkswagen AG. Volkswagen AG does not guarantee or accept any liability with respect to information in this document. Copyright by Volkswagen AG.

25 Frequency modulation (FM) frequency filter in positive wire -R179-

◆ ⇒ ["25.1 Connector T1ax"](#), page 28

25.1 Connector -T1ax-

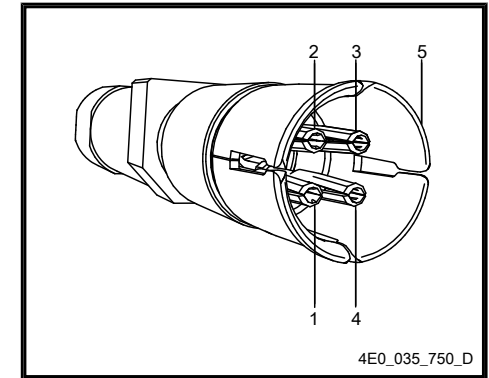
Connector -T1ax-



Protected by copyright. Copying for private or commercial purposes, in part or in whole, is not permitted unless authorised by Volkswagen AG. Volkswagen AG does not guarantee or accept any liability with respect to the correctness of information in this document. Copyright by Volkswagen AG.

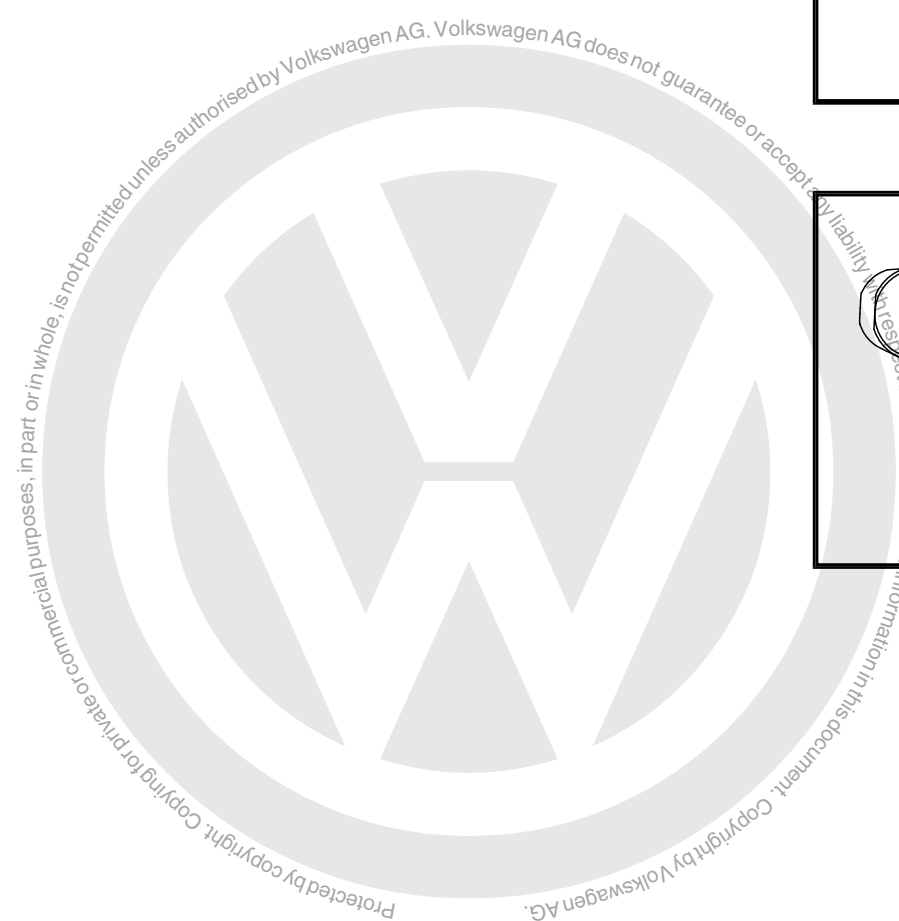
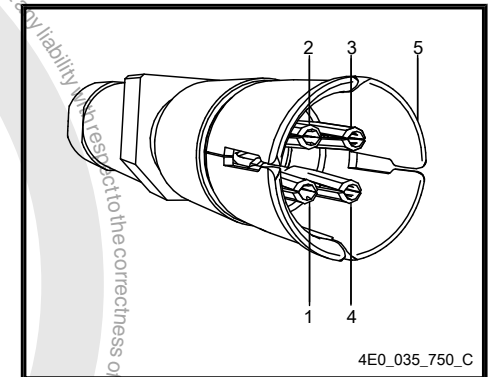
34.2 Connector -T5an-

Connector -T5an-



34.3 Connector -T5ba-

Connector -T5ba-



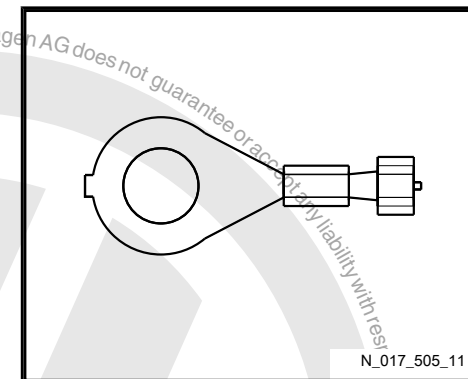
2 Fuse holder G -SG-

◆ ⇒ ["2.1 Connector T1mz", page 3](#)

◆ ⇒ ["2.2 Connector T2fw", page 3](#)

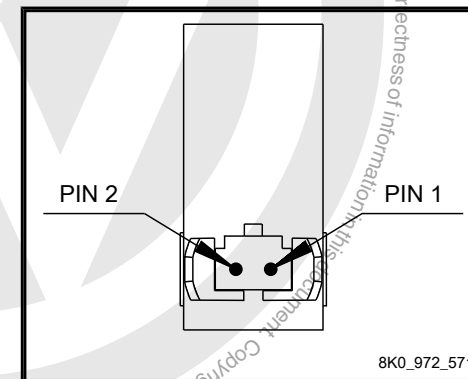
2.1 Connector -T1mz-

Connector -T1mz-



2.2 Connector -T2fw-

Connector -T2fw-

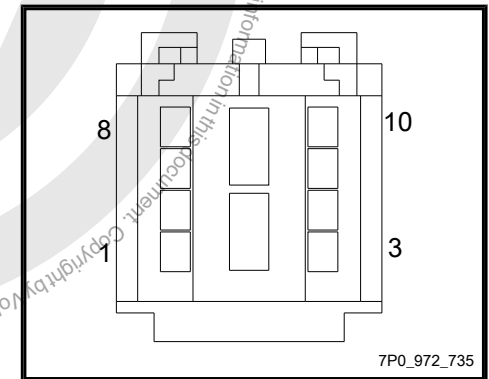


8 Coupling point on rear lid, right -THKR-

- ◆ ⇒ [“8.1 Connector T10af”, page 15](#)
- ◆ ⇒ [“8.2 Connector T10d”, page 16](#)
- ◆ ⇒ [“8.3 Connector T2bq”, page 16](#)
- ◆ ⇒ [“8.4 Connector T2br”, page 17](#)
- ◆ ⇒ [“8.5 Connector T2bv”, page 17](#)
- ◆ ⇒ [“8.6 Connector T2gr”, page 18](#)
- ◆ ⇒ [“8.7 Connector T2ht”, page 18](#)
- ◆ ⇒ [“8.8 Connector T2it”, page 19](#)
- ◆ ⇒ [“8.9 Connector T2iu”, page 19](#)
- ◆ ⇒ [“8.10 Connector T2kx”, page 20](#)
- ◆ ⇒ [“8.11 Connector T4cq”, page 20](#)
- ◆ ⇒ [“8.12 Connector T4t”, page 21](#)
- ◆ ⇒ [“8.13 Connector T5au”, page 21](#)
- ◆ ⇒ [“8.14 Connector T5i”, page 22](#)

8.1 Connector -T10af-

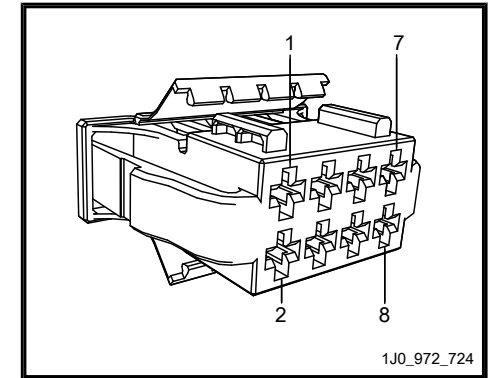
Connector -T10af-



Protected by copyright. Copying for private or commercial purposes, in part or in whole, is not permitted unless authorised by Volkswagen AG. Volkswagen AG does not guarantee or accept any liability with respect to the correctness of the information in this document. Copyright by Volkswagen AG.

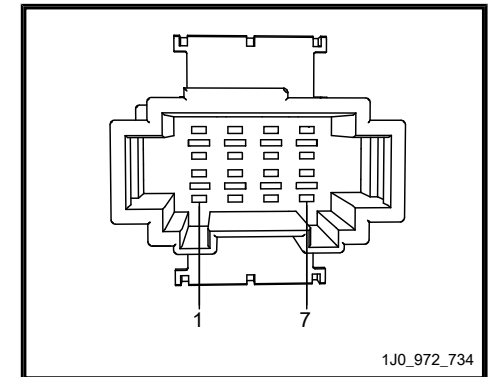
11.3 Connector -T8ae-

Connector -T8ae-



11.4 Connector -T8at-

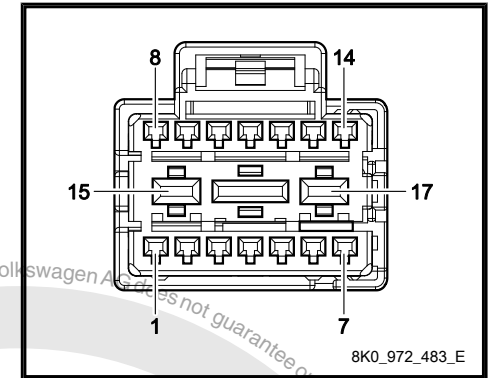
Connector -T8at-



Protected by copyright. Copying for private or commercial purposes, in part or in whole, is not permitted unless authorised by Volkswagen AG. Volkswagen AG does not guarantee or accept any liability with respect to the correctness of information in this document. Copyright by Volkswagen AG.

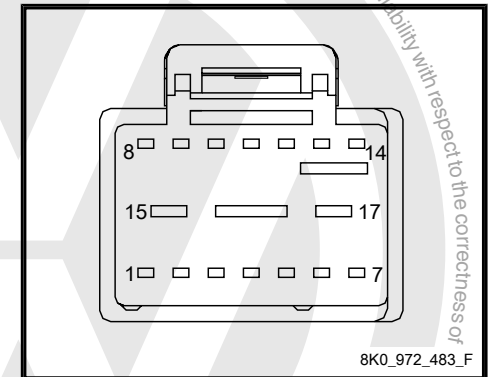
16.11 Connector -T17q-

Connector -T17q-



16.12 Connector -T17r-

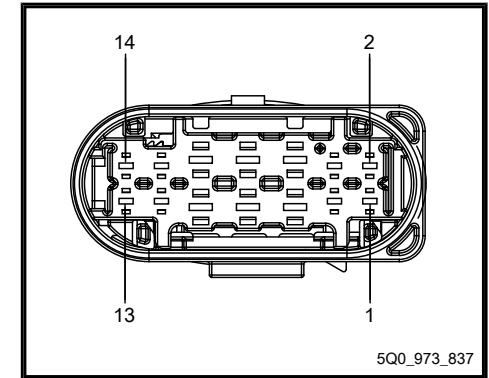
Connector -T17r-



Protected by copyright. Copying for private or commercial purposes, in part or in whole, is not permitted unless authorised by Volkswagen AG. Volkswagen AG does not guarantee or accept any liability with respect to the correctness of information in this document. Copyright by Volkswagen AG.

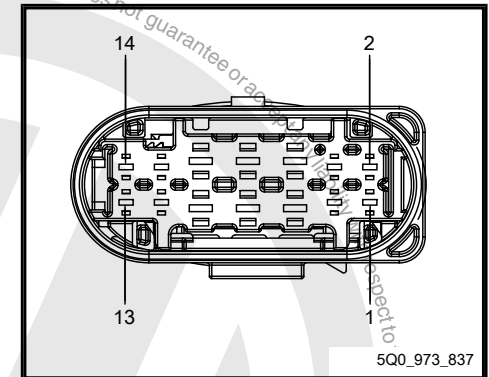
19.9 Connector -T14a-

Connector -T14a-



19.10 Connector -T14as-

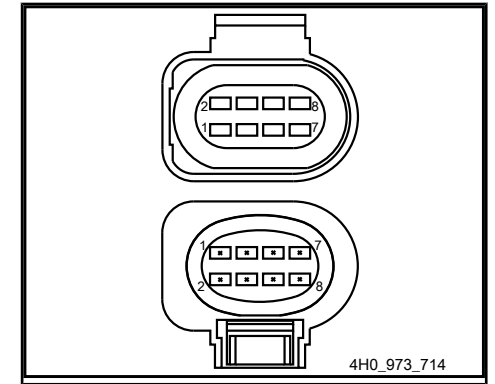
Connector -T14as-



Protected by copyright. Copying for private or commercial purposes, in part or in whole, is not permitted unless authorised by Volkswagen AG. Volkswagen AG does not guarantee or accept responsibility for the correctness of information in this document. Copyright by Volkswagen AG.

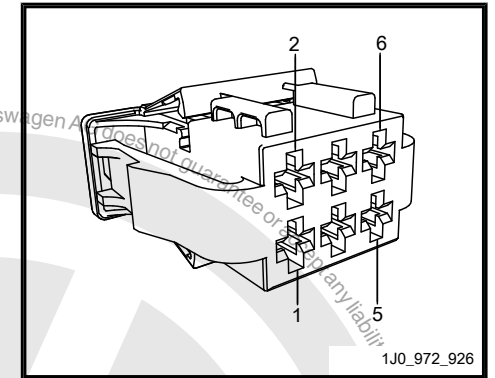
20.5 Connector -T8e-

Connector -T8e-



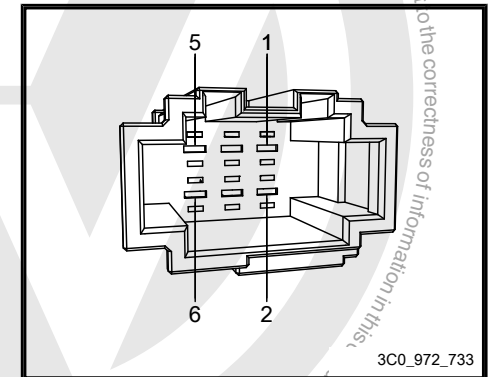
25.12 Connector -T6bw-

Connector -T6bw-



25.13 Connector -T6p-

Connector -T6p-

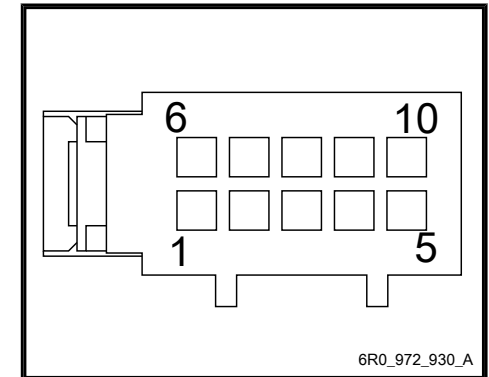
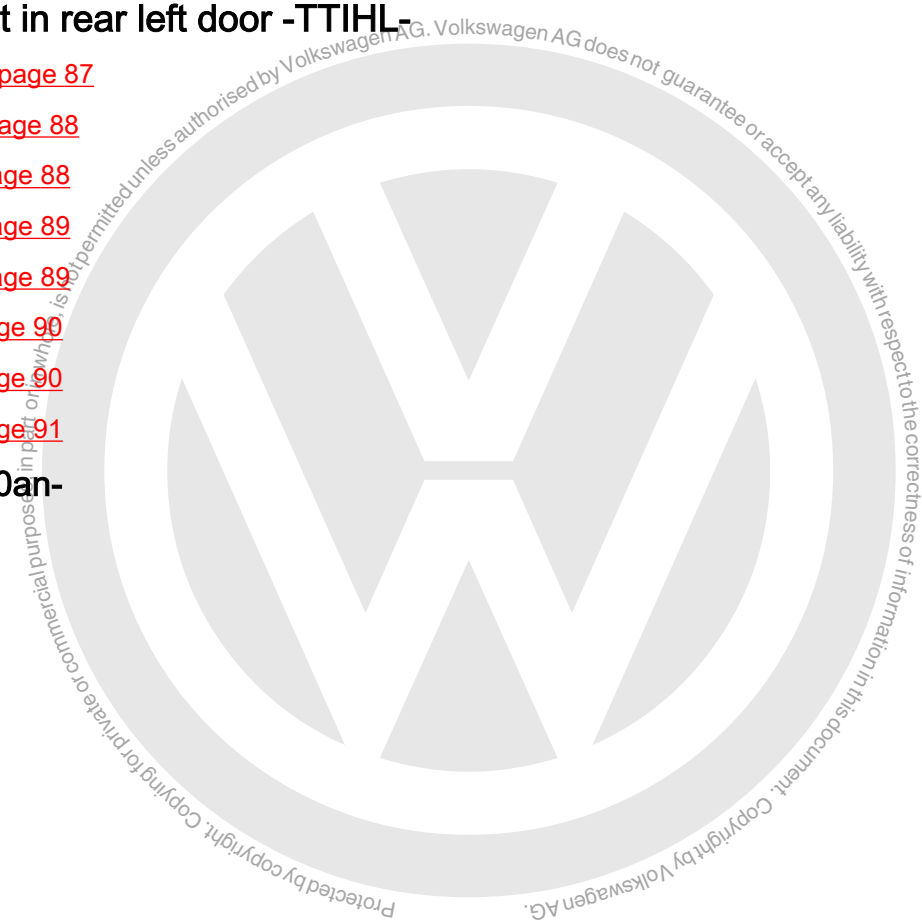


29 Coupling point in rear left door -TTIHL-

- ◆ ⇒ [“29.1 Connector T10an”, page 87](#)
- ◆ ⇒ [“29.2 Connector T10h”, page 88](#)
- ◆ ⇒ [“29.3 Connector T2In”, page 88](#)
- ◆ ⇒ [“29.4 Connector T2lo”, page 89](#)
- ◆ ⇒ [“29.5 Connector T4ai”, page 89](#)
- ◆ ⇒ [“29.6 Connector T4x”, page 90](#)
- ◆ ⇒ [“29.7 Connector T8s”, page 90](#)
- ◆ ⇒ [“29.8 Connector T8x”, page 91](#)

29.1 Connector -T10an-

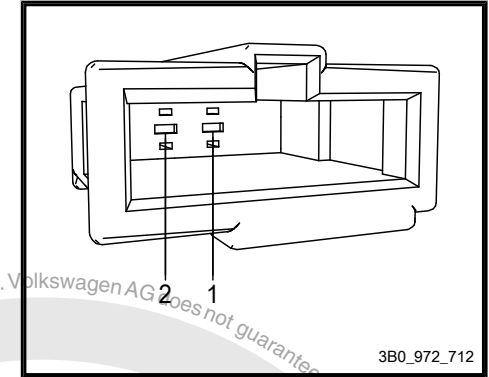
Connector -T10an-



6R0\_972\_930\_A

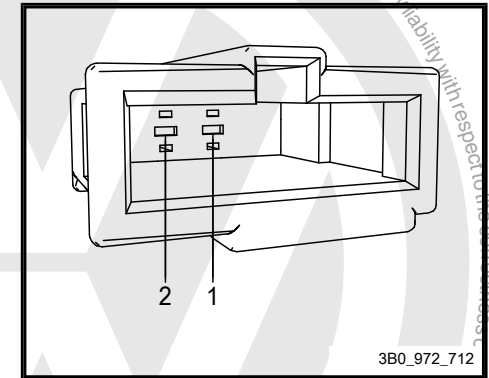
31.4 Connector -T2cc-

Connector -T2cc-



31.5 Connector -T2cm-

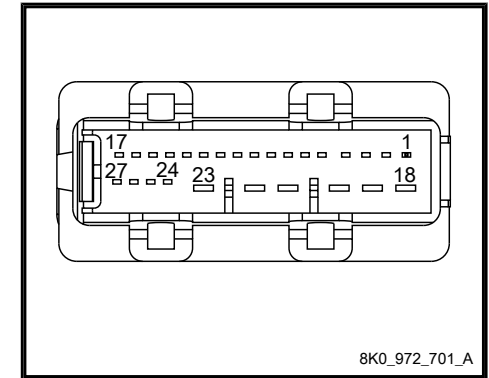
Connector -T2cm-



Protected by copyright. Copying for private or commercial purposes, in part or in whole, is not permitted unless authorised by Volkswagen AG. Volkswagen AG does not guarantee or accept any liability with respect to information in this document. Copyright by Volkswagen AG.

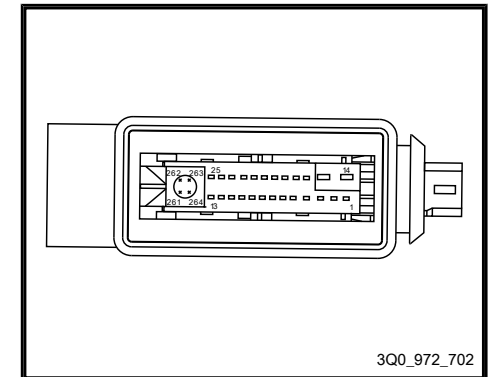
34.3 Connector -T27j-

Connector -T27j-



34.4 Connector -T29b-

Connector -T29b-



Protected by copyright. Copying for private or commercial purposes, in part or in whole, is not permitted unless authorised by Volkswagen AG. Volkswagen AG does not guarantee or accept any liability with respect to the correctness of information in this document. Copyright by Volkswagen AG.

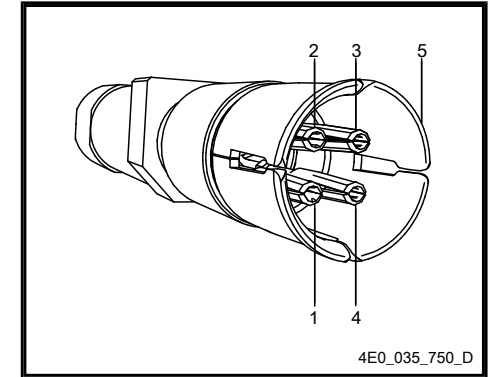
44 USB connection 2 -U42-

◆ ⇒ "44.1 Connector T5bc", page 123

◆ ⇒ "44.2 Connector T7e", page 123

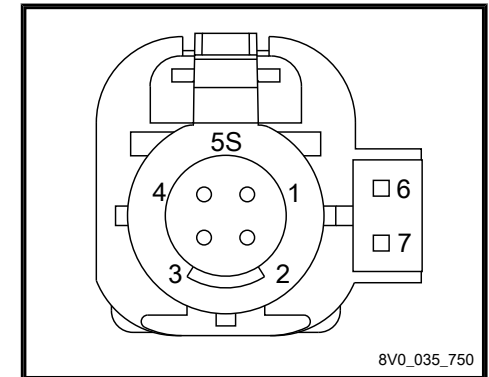
44.1 Connector -T5bc-

Connector -T5bc-



44.2 Connector -T7e-

Connector -T7e-

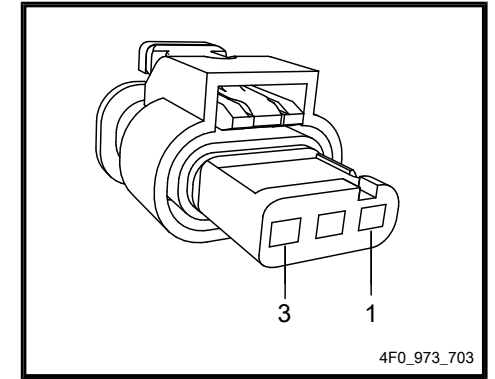
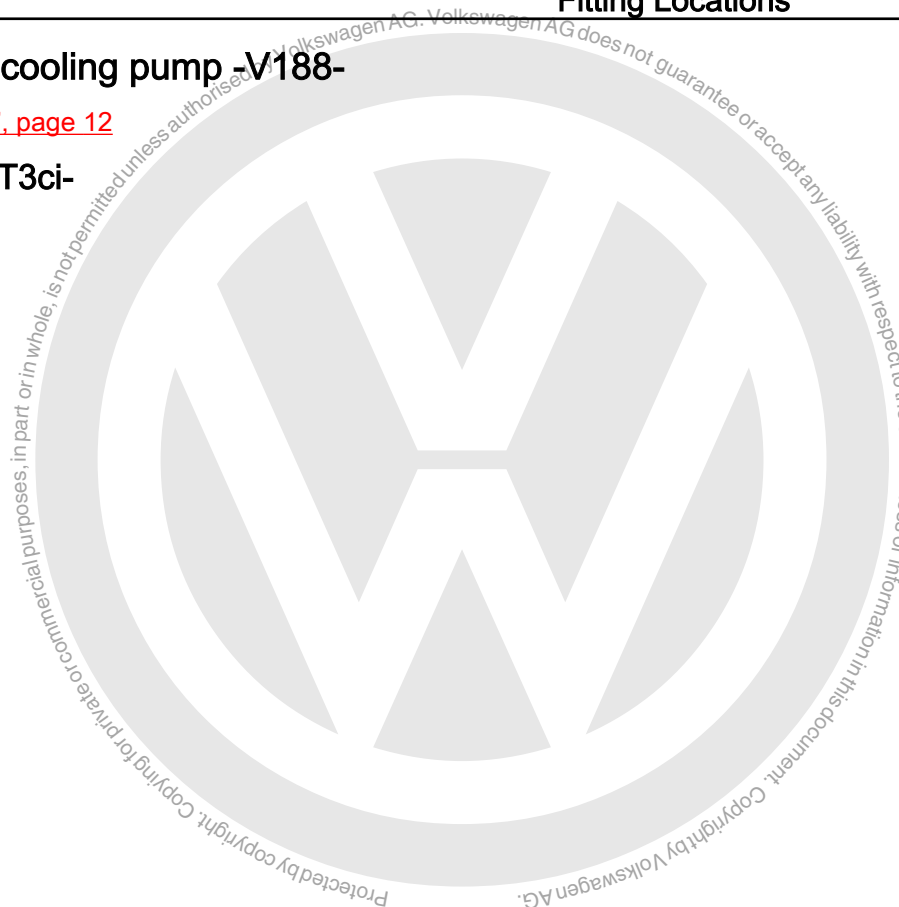


11 Charge air cooling pump -V188-

◆ ⇒ "11.1 Connector T3ci", page 12

11.1 Connector -T3ci-

Connector -T3ci-

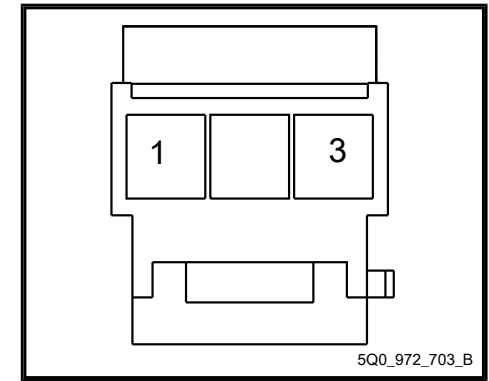


23 Rear passenger side window regulator motor -V472-

◆ ⇒ ["23.1 Connector T3ad", page 24](#)

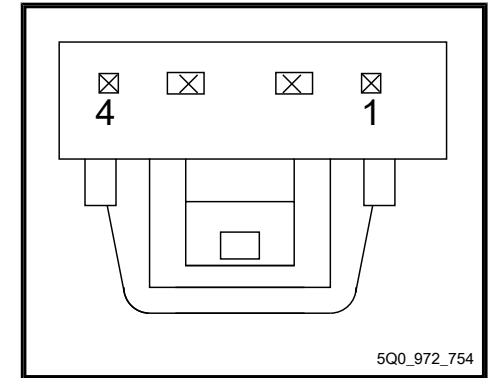
23.1 Connector -T3ad-

Connector -T3ad-



30.8 Connector -T4ek-

Connector -T4ek-



5Q0\_972\_754

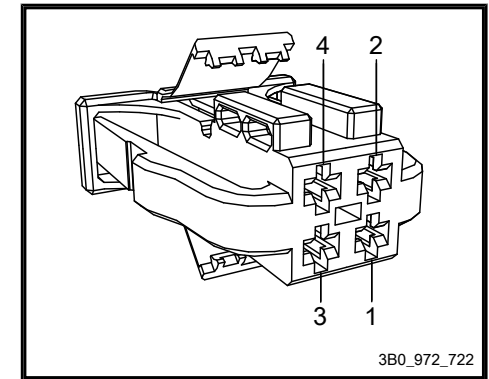
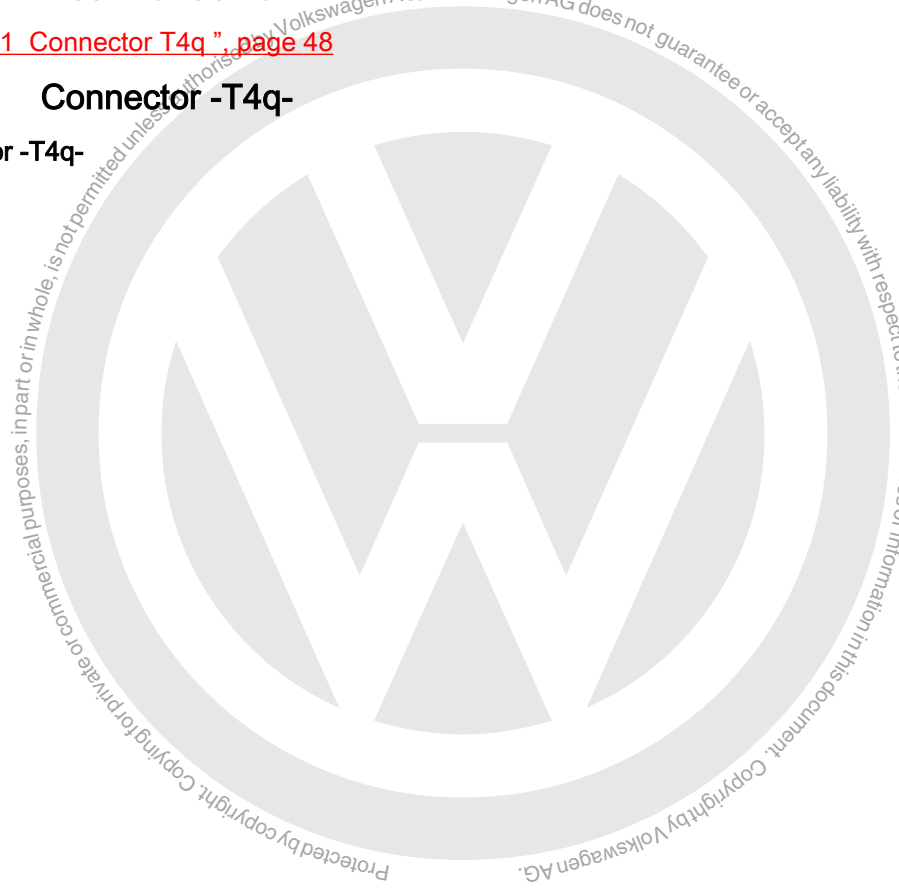


40 Rear lid lock unit -VX25-

◆ ⇒ "40.1 Connector T4q", page 48

40.1 Connector -T4q-

Connector -T4q-

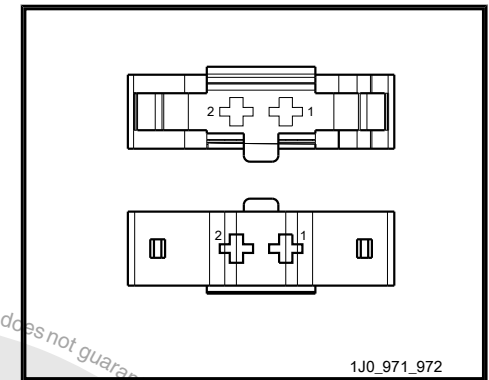


3 Glove compartment light -W6-

◆ ⇒ ["3.1 Connector T2fl", page 4](#)

3.1 Connector -T2fl-

Connector -T2fl-

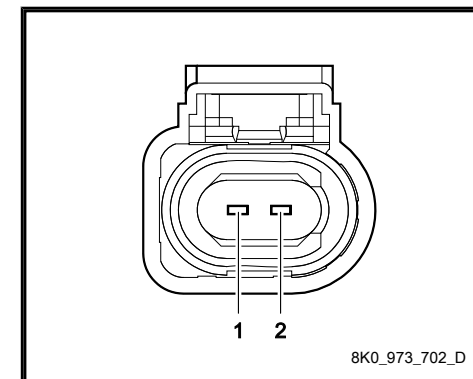
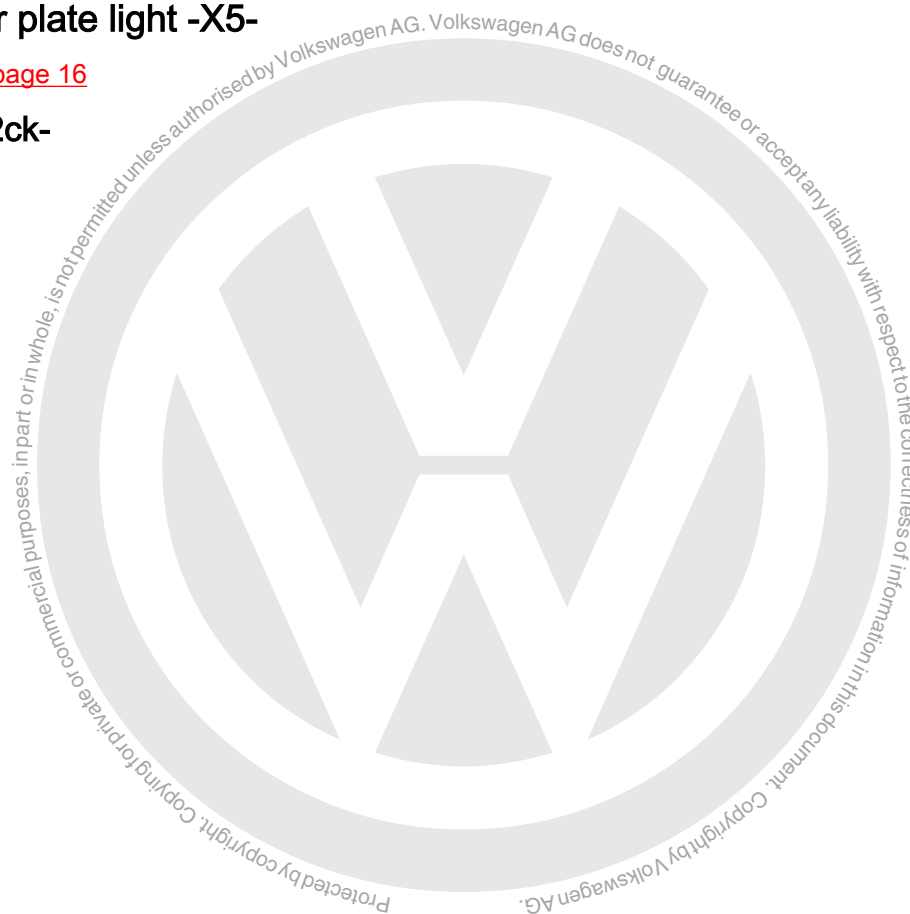


15 Right number plate light -X5-

◆ ⇒ ["15.1 Connector T2ck", page 16](#)

15.1 Connector -T2ck-

Connector -T2ck-

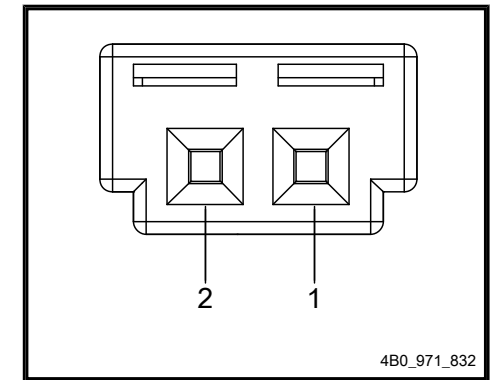


27 Windscreen heater for front sensors -Z113-

◆ ⇒ [“27.1 Connector T2gk”, page 28](#)

27.1 Connector -T2gk-

Connector -T2gk-



1.1.7 Automatic gearbox, 09P

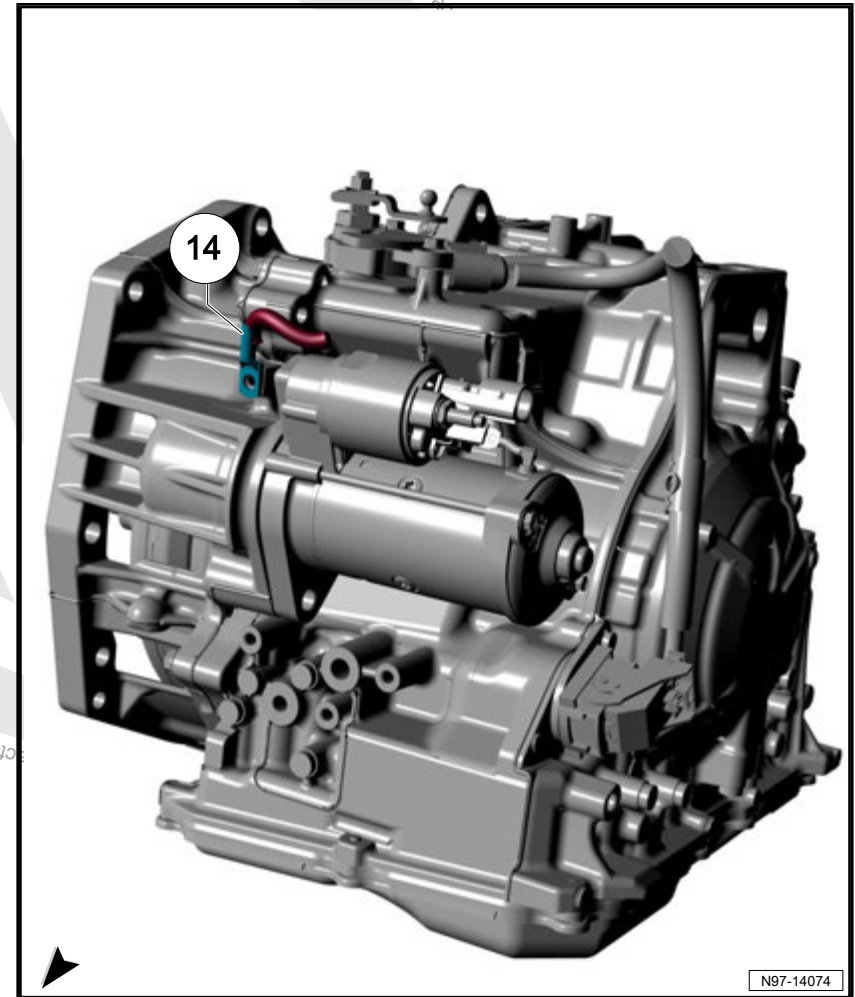


Note

For models with automatic gearbox, 09P

14 - Earth point, on gearbox

- Torque 20 Nm



N97-14074

Back to overview ⇒ [page 1](#)

1.1.2 Fuse assignment for multifuse fuse strip on fuse holder B -SB- , battery at front, from March 2017



Note

for models with battery in engine compartment

Slot	Current flow diagram designation	Nominal value	Function / component	Terminal
SBJ	Fuse J on fuse holder B -SBJ-	125 A	Fuse holder C -SC- ◆ Fuse 4 on fuse holder C -SC4- - fuse 14 on fuse holder C -SC14- ◆ Fuse 22 on fuse holder C -SC22- ◆ Fuse 31 on fuse holder C -SC31- ◆ Fuse 38 on fuse holder C -SC38- - fuse 42 on fuse holder C -SC42- ◆ Fuse 53 on fuse holder C -SC53- ◆ Terminal 15 voltage supply relay -J329- ◆ Relay for power sockets -J807-	30
SBG	Fuse G on fuse holder B -SBG-	400 A	Alternator -C-	30
508	<sup>508</sup> Threaded connection (30), on E-box	-	Battery -A-	30
SBE	Fuse E on fuse holder B -SBE-	80 A	Power steering control unit -J500-	30
SBK	Fuse K on fuse holder B -SBK-	80 A	Fuse holder C -SC- ◆ Fuse 1 on fuse holder C -SC1- - fuse 3 on fuse holder C -SC3- ◆ Fuse 15 on fuse holder C -SC15- - fuse 30 on fuse holder C -SC30- ◆ Fuse 43 on fuse holder C -SC43- - fuse 46 on fuse holder C -SC46- ◆ Fuse 50 on fuse holder C -SC50- - fuse 52 on fuse holder C -SC52-	30
SBL	Fuse L on fuse holder B -SBL-	50 A	Radiator fan -VX57-	30

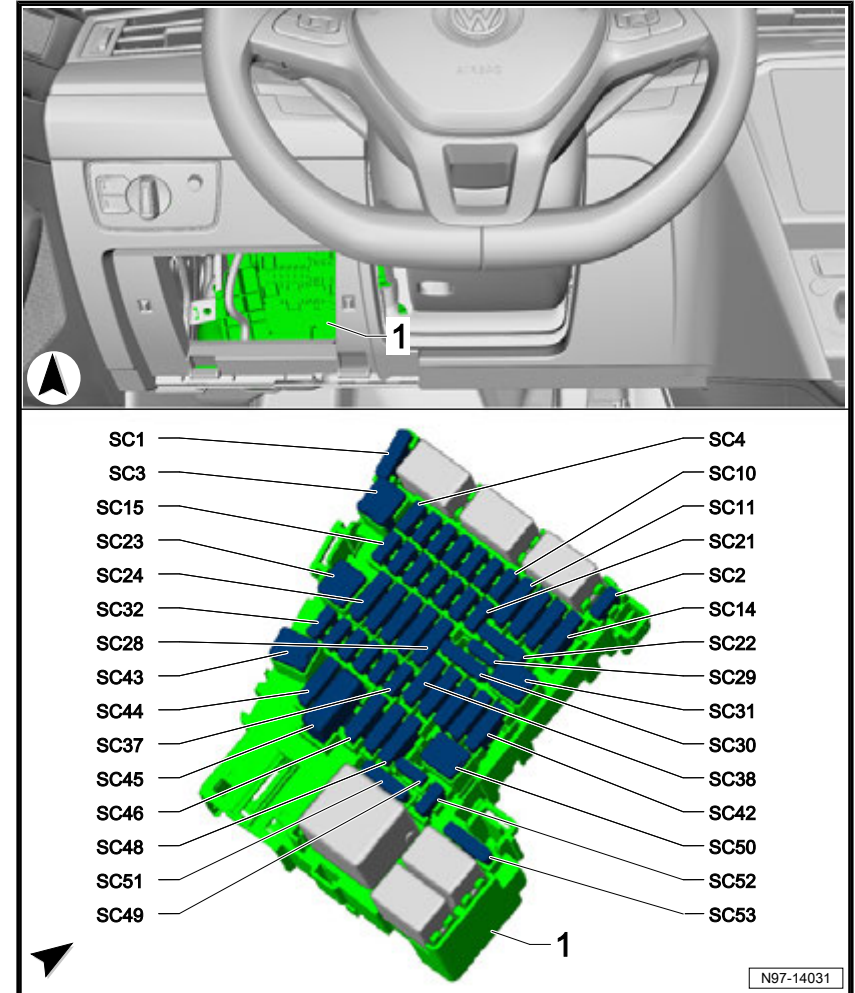
- ◆ 30 A - light green
- ◆ 25 A - natural (white)
- ◆ 20 A - yellow
- ◆ 15 A - light blue
- ◆ 10 A - red
- ◆ 7.5 A - brown
- ◆ 5 A - light brown
- ◆ 1 A - black

[Back to overview](#) ⇒ [page 1](#)

### 1.4.2 Fuse assignment for fuse holder B -SB- , from July 2018

Slot	Current flow diagram designation	Nominal value	Function / component	Terminal
SB1	Fuse 1 on fuse holder B -SB1-	25 A	ABS control unit -J104-	30
SB2	Fuse 2 on fuse holder B -SB2-	40 A 60 A 6)	ABS control unit -J104- ◆ ABS hydraulic pump -V64-	30
SB3	Fuse 3 on fuse holder B -SB3-	15 A 1) 30 A 2)	Engine/motor control unit -J623-	87
SB4	Fuse 4 on fuse holder B -SB4-	7.5 A 2) 10 A 1)	Radiator fan -VX57- 4)  High heat output relay -J360- Low heat output relay -J359- 2), 4) Valve for oil pressure control -N428- 1), 4) Turbocharger air recirculation valve -N249- 1), 4) Intake manifold flap valve -N316- 1), 4) Piston cooling jet control valve -N522- 1), 4) Oil level and oil temperature sender -G266- Turbine changeover valve -N529- 1), 4)	87

1 - Fuse holder C -SC-



Fuse colours for J-Case fuse:

- ◆ 50 A - red
- ◆ 40 A - green
- ◆ 30 A - pink

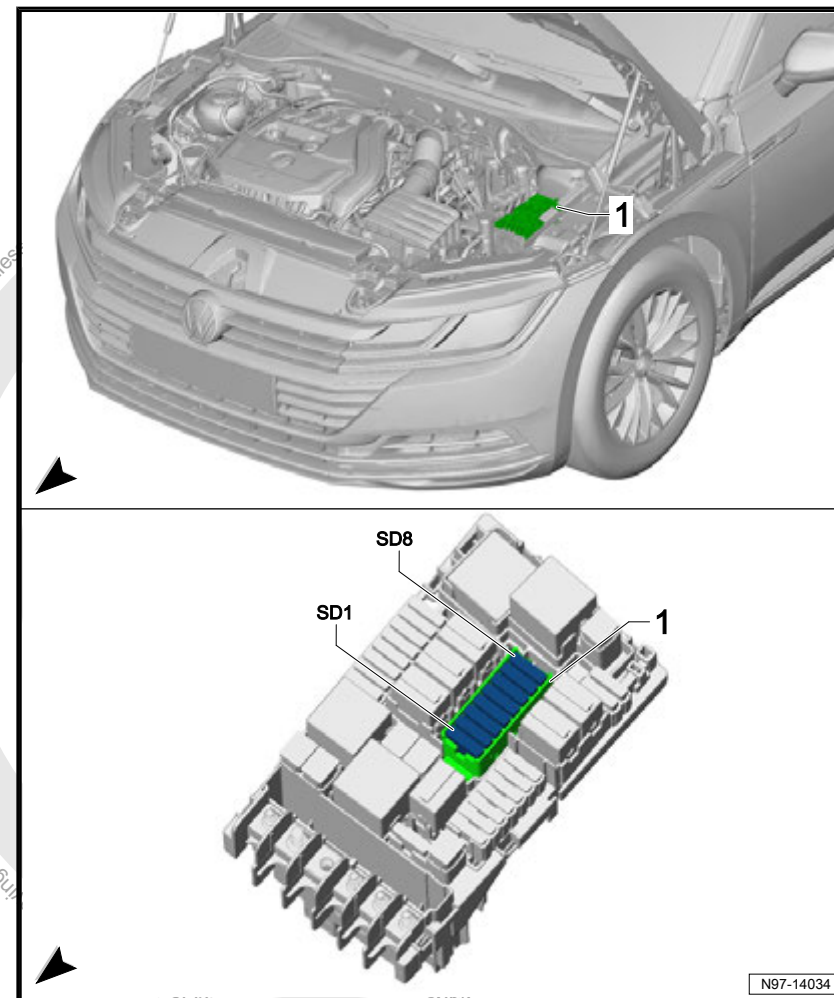
Fuse colours for ATO flat fuse:

- ◆ 40 A - orange

Protected by copyright. Copying for private or commercial purposes, in part or in whole, is not permitted unless authorised by Volkswagen AG. Volkswagen AG does not guarantee or accept any liability with respect to the correctness of information in this document. Copyright by Volkswagen AG.

Slot	Current flow diagram designation	Nominal value	Function / component	Terminal
SC4	Fuse 4 on fuse holder C -SC4-	7.5 A <sup>2)</sup> 10 A <sup>3)</sup>	Alarm horn -H12-	30
SC5	Fuse 5 on fuse holder C -SC5-	7.5 A	Data bus diagnostic interface -J533-	30
SC6	Fuse 6 on fuse holder C -SC6-	7.5 A	Selector lever -E313-	30
SC7	Fuse 7 on fuse holder C -SC7-	10 A	Heater and air conditioning controls -EX21- Operating and display unit for rear air conditioning system -E265- Remote control receiver for auxiliary coolant heater -R149- Heated rear window relay -J9- Analogue clock -Y- Tyre Pressure Monitoring System control unit -J502-	30
SC8	Fuse 8 on fuse holder C -SC8-	7.5 A	Rotary light switch -EX1- Electromechanical parking brake button -E538- Rain and light sensor -G397- Diagnostic connection -U31- Anti-theft alarm sensor -G578- Left background lighting LED -L181- Right background lighting LED -L182- Front interior light -WX1- Anti-theft alarm sensor -G578- Control unit for cornering light and headlight range control -J745- Light for front left door contour lighting -L251- Light for rear left door contour lighting -L253- Light for front right door contour lighting -L252- Light for rear right door contour lighting -L254-	30
SC9	Fuse 9 on fuse holder C -SC9-	7.5 A	Steering column electronics control unit -J527-	30
SC10	Fuse 10 on fuse holder C -SC10-	10 A	Display unit for front information display and operating unit control unit -J685- Control unit for Head-up Display -J898-	30
SC11	Fuse 11 on fuse holder C -SC11-	40 A	Onboard supply control unit -J519-	30
SC12	Fuse 12 on fuse holder C -SC12-	20 A	Control unit 1 for information electronics -J794- Control unit for navigation system -J856- 1)	30
SC13	Fuse 13 on fuse holder C -SC13-	25 A	Front left seat belt -NX10-	30
SC14	Fuse 14 on fuse holder C -SC14-	40 A	Fresh air blower control unit -J126-	30

1 - Fuse holder D -SD-



Fuse colours for ATO flat fuse:

- ◆ 40 A - orange
- ◆ 30 A - light green
- ◆ 25 A - natural (white)
- ◆ 20 A - yellow

Slot	Current flow diagram designation	Nominal value	Function / component	Terminal
G	not assigned	-		-
H	USB charging socket fuse -S356-	7.5 A	USB charging socket 1 -U37-	15
I	not assigned	-		-
J	not assigned	-		-
K	not assigned	-		-
L	not assigned	-		-
M	not assigned	-		-
N	not assigned	-		-

**Back to overview** ⇒ [page 1](#)

## 1.14 Individual fuses, from November 2018

- ◆ ⇒ [“1.14.1 Fitting location of individual fuses, LHD models, from November 2018”, page 64](#)
- ◆ ⇒ [“1.14.2 Fitting location of individual fuses, RHD models, from November 2018”, page 66](#)
- ◆ ⇒ [“1.14.3 Fuse assignment of individual fuses, LHD models, from November 2018”, page 67](#)
- ◆ ⇒ [“1.14.4 Fuse assignment of individual fuses, RHD models, from November 2018”, page 67](#)

### 1.14.1 Fitting location of individual fuses, LHD models, from November 2018



**Note**

*For left-hand drive models*

Back to overview ⇒ [page 1](#)

## 1.4 Relay and fuse carrier 1 -SR1- , from March 2017

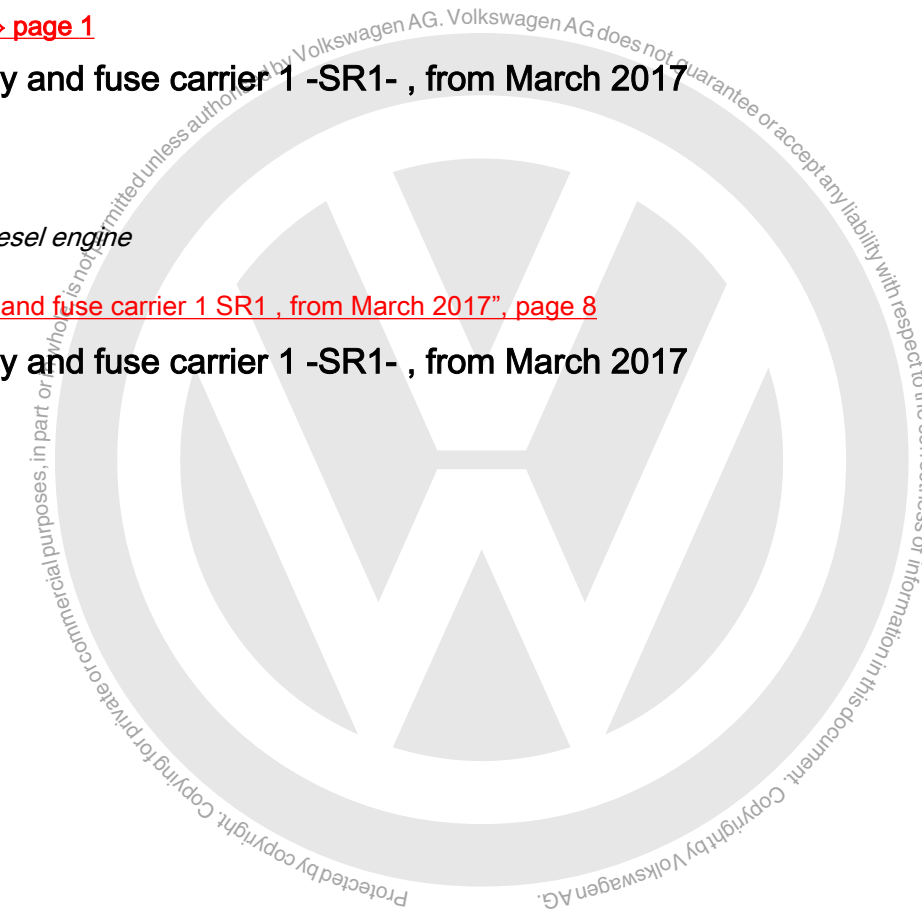


Note

*For models with diesel engine*

◆ ⇒ ["1.4.1 Relay and fuse carrier 1 SR1 , from March 2017", page 8](#)

### 1.4.1 Relay and fuse carrier 1 -SR1- , from March 2017



Component	Chapter	Comment
Rear belt tensioner igniter on driver side -N196-	⇒ <a href="#">"1.2.1 Rear interior, view from left", page 47</a>	For right-hand drive models
Rear belt tensioner igniter on driver side -N196-	⇒ <a href="#">"1.2.2 Rear interior, view from right", page 49</a>	For left-hand drive models
Rear belt tensioner igniter on passenger side -N197-	⇒ <a href="#">"1.2.1 Rear interior, view from left", page 47</a>	For left-hand drive models
Rear belt tensioner igniter on passenger side -N197-	⇒ <a href="#">"1.2.2 Rear interior, view from right", page 49</a>	For right-hand drive models
Side airbag igniter on driver side -N199-	⇒ <a href="#">"1.1.13 Left front seat", page 41</a>	For left-hand drive models
Side airbag igniter on driver side -N199-	⇒ <a href="#">"1.1.14 Right front seat", page 44</a>	For right-hand drive models
Side airbag igniter on front passenger side -N200-	⇒ <a href="#">"1.1.13 Left front seat", page 41</a>	For right-hand drive models
Side airbag igniter on front passenger side -N200-	⇒ <a href="#">"1.1.14 Right front seat", page 44</a>	For left-hand drive models
Rear side airbag igniter on driver side -N201-	⇒ <a href="#">"1.2.1 Rear interior, view from left", page 47</a>	For right-hand drive models
Rear side airbag igniter on driver side -N201-	⇒ <a href="#">"1.2.2 Rear interior, view from right", page 49</a>	For left-hand drive models
Rear side airbag igniter on passenger side -N202-	⇒ <a href="#">"1.2.1 Rear interior, view from left", page 47</a>	For left-hand drive models
Rear side airbag igniter on passenger side -N202-	⇒ <a href="#">"1.2.2 Rear interior, view from right", page 49</a>	For right-hand drive models
Driver side curtain airbag igniter -N251-	⇒ <a href="#">"1.1.1 Front left of interior, LHD models", page 14</a>	For left-hand drive models
Driver side curtain airbag igniter -N251-	⇒ <a href="#">"1.1.6 Front right of interior, RHD models", page 29</a>	For right-hand drive models
Front passenger side curtain airbag igniter -N252-	⇒ <a href="#">"1.1.2 Front left of interior, RHD models", page 18</a>	For right-hand drive models
Front passenger side curtain airbag igniter -N252-	⇒ <a href="#">"1.1.5 Front right of interior, LHD models", page 26</a>	For left-hand drive models
Driver side knee airbag igniter -N295-	⇒ <a href="#">"1.1.3 Left footwell, LHD models", page 22</a>	For left-hand drive models
Driver side knee airbag igniter -N295-	⇒ <a href="#">"1.1.4 Right footwell, RHD models", page 24</a>	For right-hand drive models
Front passenger side knee airbag igniter -N296-	⇒ <a href="#">"1.1.5 Front right of interior, LHD models", page 26</a>	For left-hand drive models
Igniter for driver side seat belt tensioner 2 -N297-	⇒ <a href="#">"1.1.1 Front left of interior, LHD models", page 14</a>	For left-hand drive models
Igniter for front passenger side seat belt tensioner 2 -N298-	⇒ <a href="#">"1.1.5 Front right of interior, LHD models", page 26</a>	For left-hand drive models
Rear left shock absorber damping adjustment valve -N338-	⇒ <a href="#">"1.2.1 Rear interior, view from left", page 47</a>	
Rear right shock absorber damping adjustment valve -N339-	⇒ <a href="#">"1.2.2 Rear interior, view from right", page 49</a>	
Ignition key withdrawal lock solenoid -N376-	⇒ <a href="#">"1.1.10 Steering column", page 36</a>	
Front passenger airbag unit -NX3-	⇒ <a href="#">"1.1.5 Front right of interior, LHD models", page 26</a>	For left-hand drive models
Front left seat belt -NX10-	⇒ <a href="#">"1.1.1 Front left of interior, LHD models", page 14</a>	For left-hand drive models
Front left seat belt -NX10-	⇒ <a href="#">"1.1.2 Front left of interior, RHD models", page 18</a>	For right-hand drive models
Front right seat belt -NX11-	⇒ <a href="#">"1.1.5 Front right of interior, LHD models", page 26</a>	For left-hand drive models
Front right seat belt -NX11-	⇒ <a href="#">"1.1.6 Front right of interior, RHD models", page 29</a>	For right-hand drive models
Rear left treble loudspeaker -R14-	⇒ <a href="#">"1.4.5 Rear left door", page 67</a>	
Rear left bass loudspeaker -R15-	⇒ <a href="#">"1.4.5 Rear left door", page 67</a>	

**5 - Left vent temperature sender -G150-**

- For right-hand drive models
- Fitting location for left-hand drive models ⇒ [Item 4 \(page 22\)](#)

**6 - Airbag igniter 1 on front passenger side -N131-**

- For right-hand drive models
- Fitting location for left-hand drive models ⇒ [Item 1 \(page 27\)](#)

**7 - Toll collection sender -G459-**

- For models with equipment for Japan

**8 - Control unit 1 for information electronics -J794-**

- For right-hand drive models
- Fitting location for left-hand drive models ⇒ [Item 2 \(page 27\)](#)

**9 - Front parking aid warning buzzer -H22-**

- For right-hand drive models
- Fitting location for left-hand drive models ⇒ [Item 7 \(page 22\)](#)

**10 - Chip card reader control unit -J676-**

- For models with equipment for Japan

**11 - Glove compartment light -W6-**

- For right-hand drive models
- Fitting location for left-hand drive models ⇒ [Item 7 \(page 27\)](#)

**12 - Glove compartment light switch -E26-**

- For right-hand drive models
- Fitting location for left-hand drive models ⇒ [Item 8 \(page 27\)](#)

**13 - Onboard supply control unit -J519-**

- For right-hand drive models
- Fitting location for left-hand drive models ⇒ [Item 6 \(page 22\)](#)

**14 - Front left footwell light -K268-**

- For right-hand drive models
- Fitting location for left-hand drive models ⇒ [Item 16 \(page 23\)](#)

**15 - Digital sound package control unit -J525-**

- For right-hand drive models
- Fitting location for left-hand drive models ⇒ [Item 2 \(page 16\)](#)

**16 - Front left seat belt -NX10-**

- For right-hand drive models

**9 - Airbag control unit -J234-**

- For left-hand drive models
- Fitting location for right-hand drive models ⇒ [Item 2 \(page 39\)](#)

**10 - Heater and air conditioning controls -EX21-**

- For left-hand drive models
- Fitting location for right-hand drive models ⇒ [Item 10 \(page 34\)](#)

**11 - Storage compartment with interface for mobile telephone -R265-**

- For left-hand drive models
- Fitting location for right-hand drive models ⇒ [Item 11 \(page 34\)](#)

**12 - Display unit for front information display and operating unit control unit -J685-**

- For left-hand drive models
- Fitting location for right-hand drive models ⇒ [Item 9 \(page 34\)](#)

**13 - Dash panel insert -KX2-**

- For left-hand drive models
- Fitting location for right-hand drive models ⇒ [Item 8 \(page 33\)](#)



Back to overview ⇒ [page 1](#)

### 1.1.14 Right front seat

A - 2-pin connector -T2dq-, black/  
2-pin connector -T2me-, black

B - 6-pin connector -T6n-, black/  
6-pin connector -T6y-, black

**1 - Side airbag igniter on driver side -N199-**

- For right-hand drive models
- Fitting location for left-hand drive models ⇒ [Item 4 \(page 41\)](#)

**1 - Side airbag igniter on front passenger side -N200-**

- For left-hand drive models
- Fitting location for right-hand drive models ⇒ [Item 4 \(page 41\)](#)

**2 - Front right seat backrest fan 1 -V516-**

**3 - Lumbar support for driver seat -VX2-**

- For right-hand drive models
- Fitting location for left-hand drive models ⇒ [Item 2 \(page 41\)](#)

**3 - Lumbar support for front passenger seat -VX3-**

- For left-hand drive models
- Fitting location for right-hand drive models ⇒ [Item 2 \(page 41\)](#)

**4 - Driver seat backrest adjustment motor -V45-**

- For right-hand drive models
- Fitting location for left-hand drive models ⇒ [Item 1 \(page 41\)](#)

**4 - Front passenger seat backrest adjustment motor -V46-**

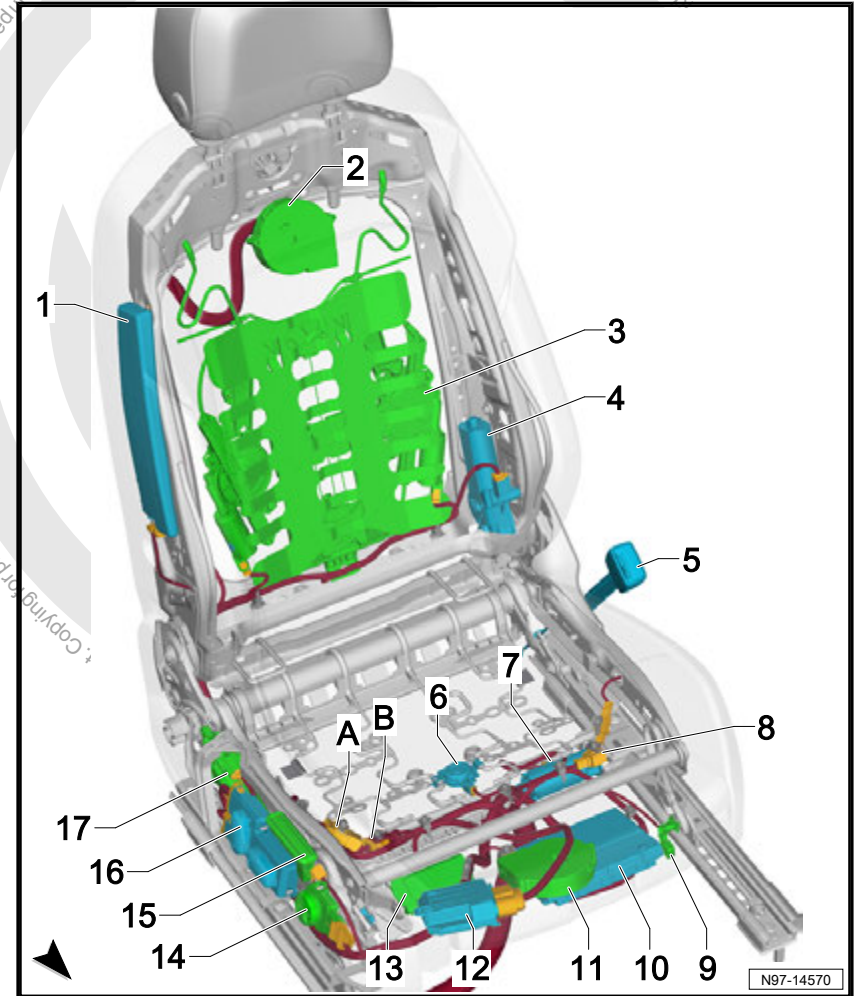
- For left-hand drive models
- Fitting location for right-hand drive models ⇒ [Item 1 \(page 41\)](#)

**5 - Driver side belt switch -E24-**

- For right-hand drive models
- Fitting location for left-hand drive models ⇒ [Item 16 \(page 43\)](#)

**5 - Front passenger side belt switch -E25-**

- For left-hand drive models
- Fitting location for right-hand drive models ⇒ [Item 16 \(page 43\)](#)



**A - 2-pin connector -T2bx-, black/  
2-pin connector -T2cm-, black**

- For models with no ambient lighting
- Fitting location in front passenger door for right-hand drive models ⇒ [Item B \(page 65\)](#)

**A - 8-pin connector -T8n-, black/  
8-pin connector -T8v-, black**

- For models with ambient lighting, version 2
- Fitting location in front passenger door for right-hand drive models ⇒ [Item B \(page 65\)](#)

**B - 27-pin connector -T27a-, black**

- For models with no overhead view camera
- Fitting location in front passenger door for right-hand drive models ⇒ [Item A \(page 65\)](#)

**B - 29-pin connector -T29a-, white**

- For models with overhead view camera
- Fitting location in front passenger door for right-hand drive models ⇒ [Item A \(page 65\)](#)

**C - 10-pin connector -T10f-, red/  
10-pin connector -T10al-, red**

- Fitting location in front passenger door for right-hand drive models ⇒ [Item C \(page 65\)](#)

**1 - Light for front left door contour lighting -L251-**

- For left-hand drive models
- Fitting location in front passenger door for right-hand drive models ⇒ [Item 1 \(page 65\)](#)
- Not for American markets

**1 - Light for driver door background lighting -W86-**

- For left-hand drive models
- For American markets

**2 - Light for driver side interior door handle illumination -L219-**

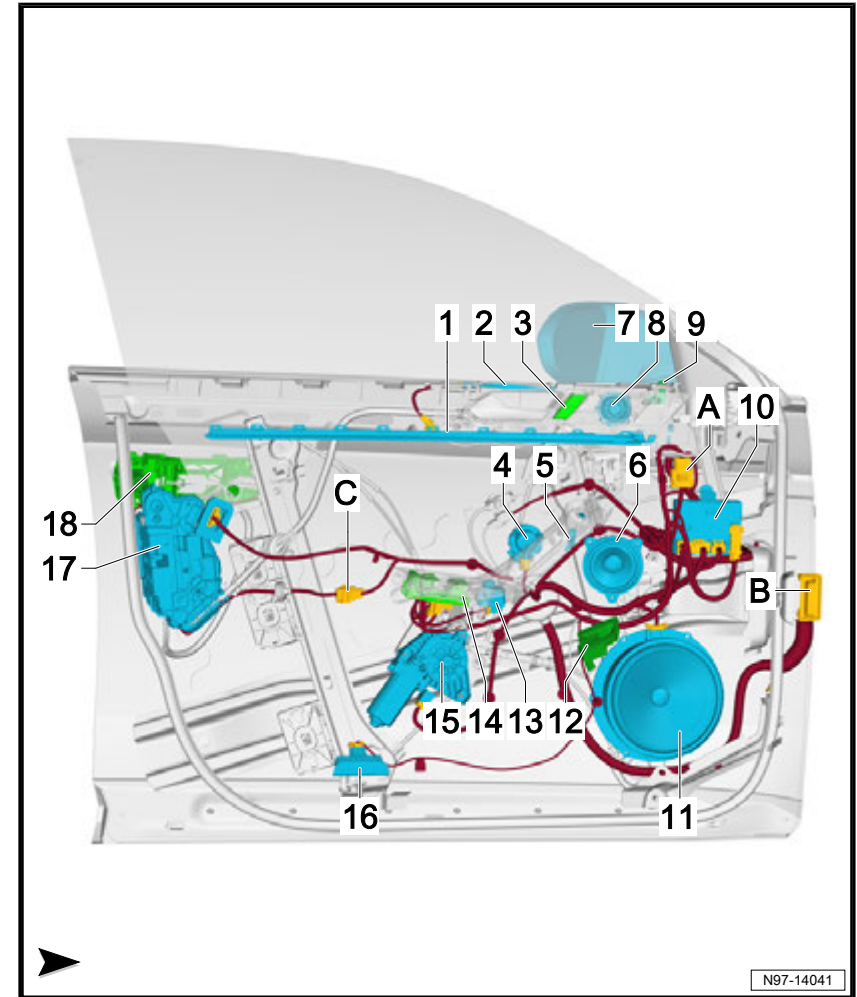
- For left-hand drive models
- Fitting location for right-hand drive models ⇒ [Item 5 \(page 60\)](#)

**3 - Driver side interior locking button for central locking system -E308-**

- For left-hand drive models
- Fitting location for right-hand drive models ⇒ [Item 4 \(page 60\)](#)

**4 - Side airbag crash sensor on driver side -G179-**

- For left-hand drive models
- Fitting location for right-hand drive models ⇒ [Item 15 \(page 61\)](#)



**9 - Rear driver side window regulator button -E711-**

- For left-hand drive models
- Fitting location for right-hand drive models ⇒ [Item 8 \(page 70\)](#)

**9 - Rear passenger side window regulator button -E713-**

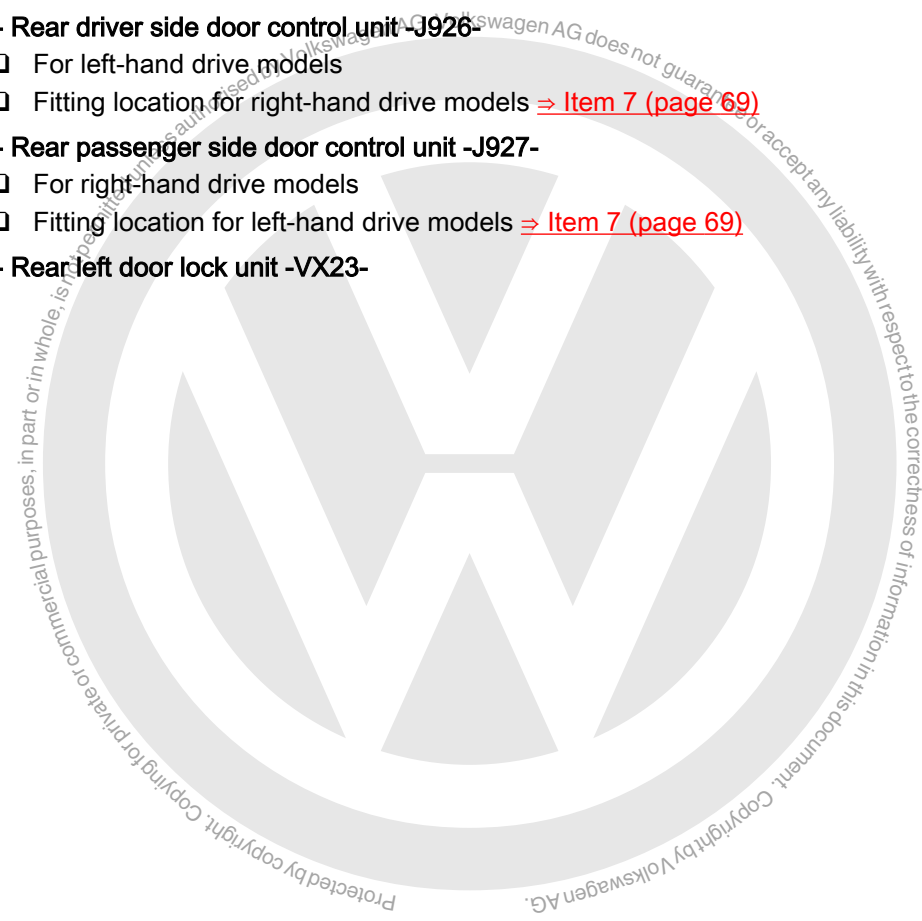
- For right-hand drive models
- Fitting location for left-hand drive models ⇒ [Item 8 \(page 70\)](#)

**10 - Rear driver side door control unit -J926-**

- For left-hand drive models
- Fitting location for right-hand drive models ⇒ [Item 7 \(page 69\)](#)

**10 - Rear passenger side door control unit -J927-**

- For right-hand drive models
- Fitting location for left-hand drive models ⇒ [Item 7 \(page 69\)](#)

**11 - Rear left door lock unit -VX23-**

Back to overview ⇒ [page 1](#)

### 1.3 Rear side, view from left

A - 2-pin connector -T2gr-, green/  
2-pin connector -T2bq-, green

B - 2-pin connector -T2iu-, yellow/  
2-pin connector -T2kx-, yellow

☐ For models with TV tuner

C - 2-pin connector -T2ht-, yellow/  
2-pin connector -T2br-, yellow

C - 2-pin connector -T2it-, purple/  
2-pin connector -T2bv-, purple

☐ For models with TV tuner

D - 10-pin connector -T10af-, black/  
10-pin connector -T10d-, black

E - 4-pin connector -T4cq-, yellow/  
4-pin connector -T4t-

☐ For models with TV tuner

1 - Rear parking aid warning buzzer -H15-

2 - -nicht verbaut-

3 - Two-way signal amplifier for mobile telephone/data services -J984-

4 - Remote control receiver for auxiliary coolant heater -R149-

5 - Luggage compartment light -W3-

6 - Electric hinged tow coupling attachment button -E474-

7 - TV tuner -RX6-

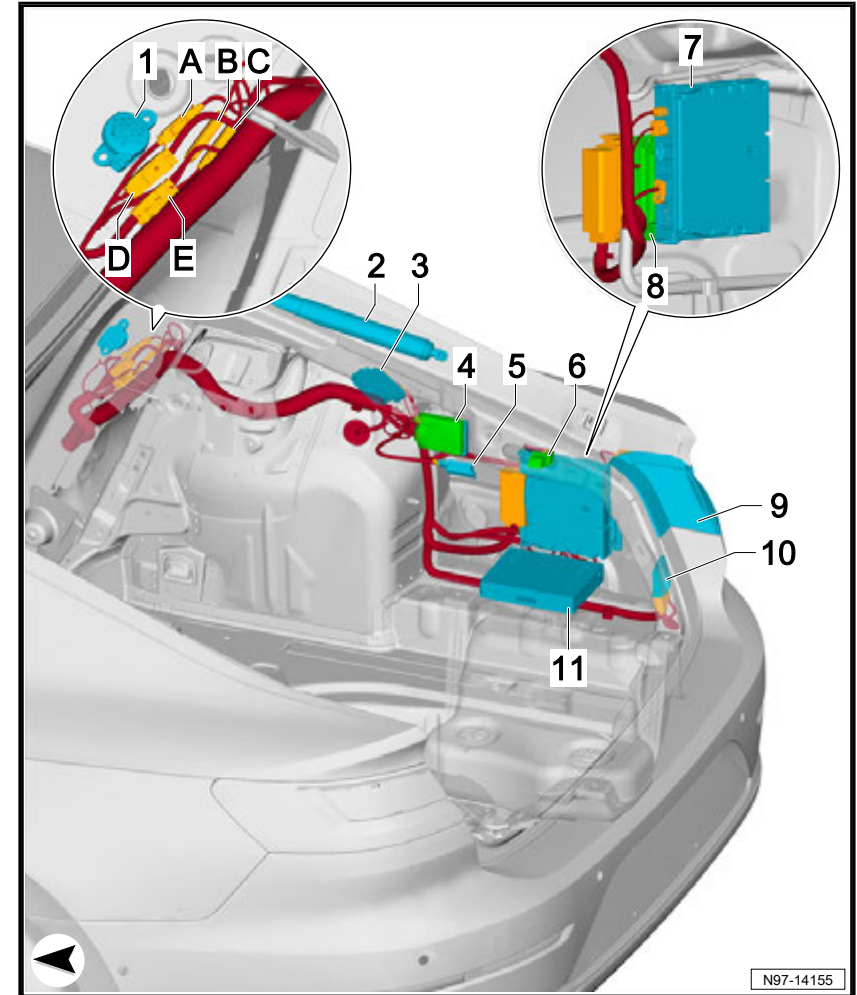
8 - Electronically controlled damping control unit -J250-

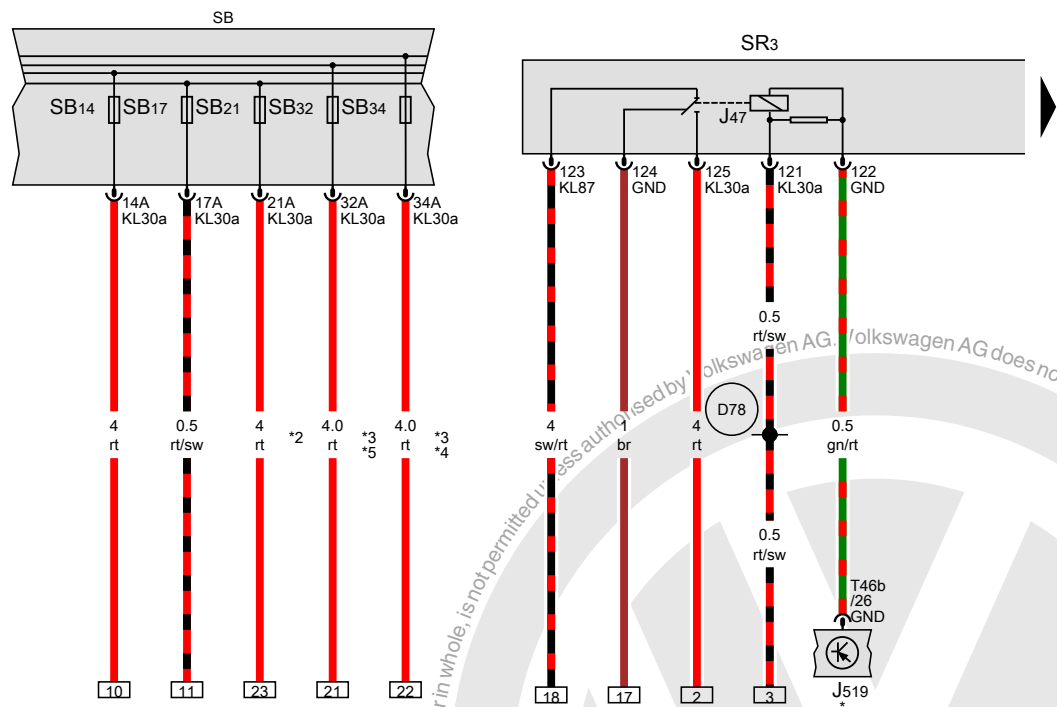
9 - Right tail light -MX4-

10 - Control unit for reducing agent heater -J891-

11 - Control unit for navigation system -J856-

☐ For models with equipment for Korea





Heated windscreen relay, Onboard supply control unit, Fuse holder B, Relay and fuse carrier 3

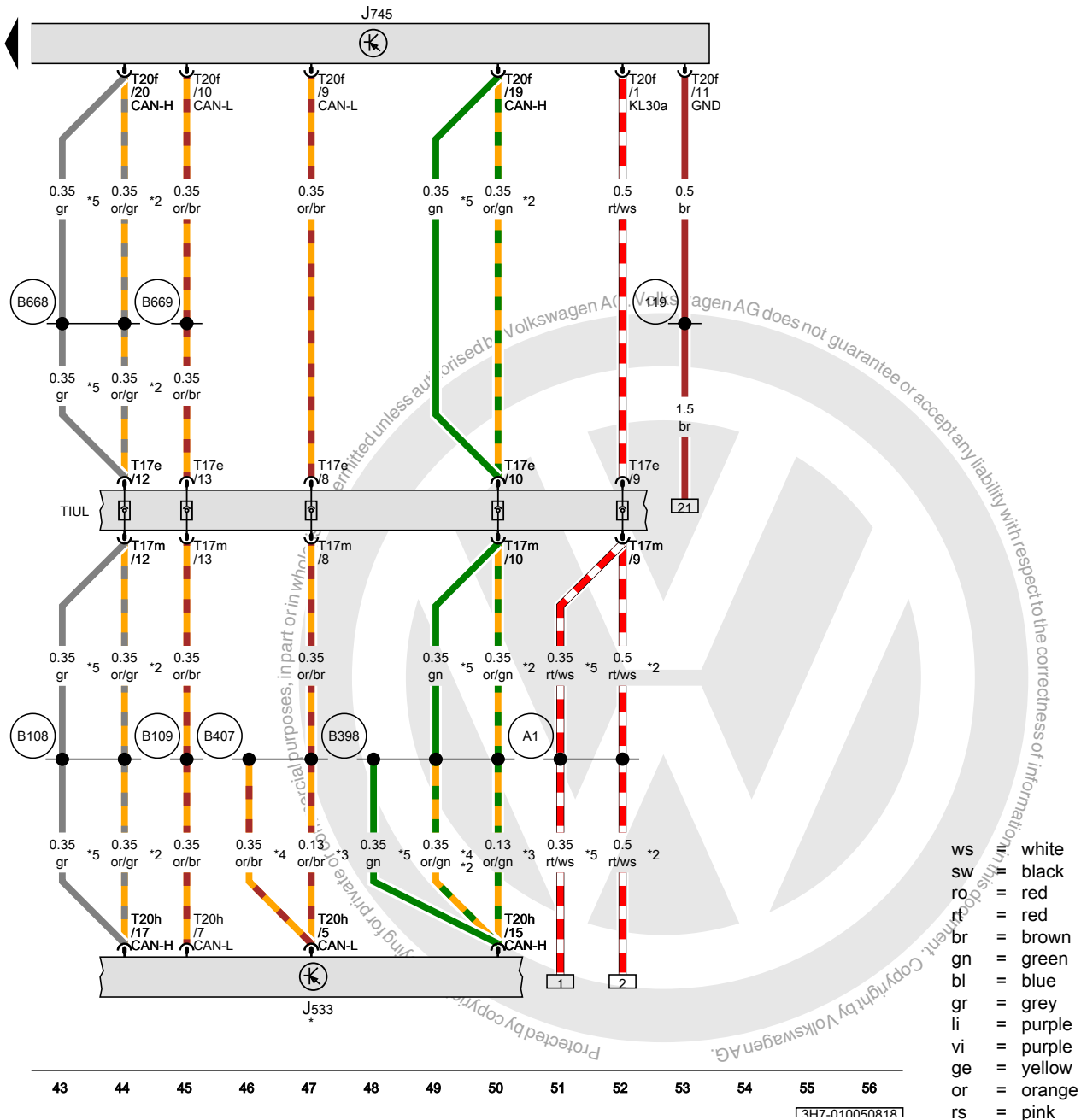
- J47 Heated windscreen relay
- J519 Onboard supply control unit
- SB Fuse holder B
- SR3 Relay and fuse carrier 3
- SB14 Fuse 14 on fuse holder B
- SB17 Fuse 17 on fuse holder B
- SB21 Fuse 21 on fuse holder B
- SB32 Fuse 32 on fuse holder B
- SB34 Fuse 34 on fuse holder B
- T46b 46-pin connector, black

D78 Positive connection 1 (30a), in engine compartment wiring harness

- \* Activation via menu in infotainment system
- \*2 Up to July 2018
- \*3 From July 2018
- \*4 For models with battery in engine compartment
- \*5 For models with battery in luggage compartment

- ws = white
- sw = black
- ro = red
- rt = red
- br = brown
- gn = green
- bl = blue
- gr = grey
- li = purple
- vi = purple
- ge = yellow
- or = orange
- rs = pink

Data bus diagnostic interface, Control unit for cornering light and headlight range control



- J533 Data bus diagnostic interface
  - J745 Control unit for cornering light and headlight range control
  - T17e 17-pin connector, black
  - T17m 17-pin connector, black
  - T20f 20-pin connector, brown
  - T20h 20-pin connector, red
  - TIUL Coupling point in interior, below left
- (119) Earth connection 1, in headlight wiring harness
  - (A1) Positive connection (30a), in dash panel wiring harness
  - (B108) Connection 1 (CAN bus extended high), in main wiring harness
  - (B109) Connection 1 (CAN bus extended low), in main wiring harness
  - (B398) Connection 2 (convenience CAN bus, high), in main wiring harness
  - (B407) Connection 2 (convenience CAN bus, low), in main wiring harness
  - (B668) Connection 2 (CAN bus extended high), in main wiring harness
  - (B669) Connection 2 (CAN bus extended low), in main wiring harness
- \* Different connector colour possible
  - \*2 Up to July 2018
  - \*3 Up to November 2017
  - \*4 From November 2017
  - \*5 From July 2018

13H7-010050R18

CLICK HERE TO **DOWNLOAD** THE COMPLETE MANUAL

- Thank you very much for reading the preview of the manual.
- You can download the complete manual from: [www.heydownloads.com](http://www.heydownloads.com) by clicking the link below



- Please note: If there is no response to CLICKING the link, please download this PDF first and then click on it.

CLICK HERE TO **DOWNLOAD** THE COMPLETE MANUAL