



BOMAG
FAYAT GROUP

Bomag GmbH

Industriegebiet Hellerwald
D-56154 Boppard



0	1	2	3	4	5	6	7	8	9
Created Erstellt	M. Vogt 17.09.2013	BW 145-177 D/DH-5		BOMAG FAYAT GROUP	Cover sheet Deckblatt			Higher-level function Anlage =	Page Blatt 1 from von 72
Checked Geprüft	D. Nallin 17.09.2013							Function Funktion ==	232
								Mounting location Einbauort +	EPE / 000 / 00

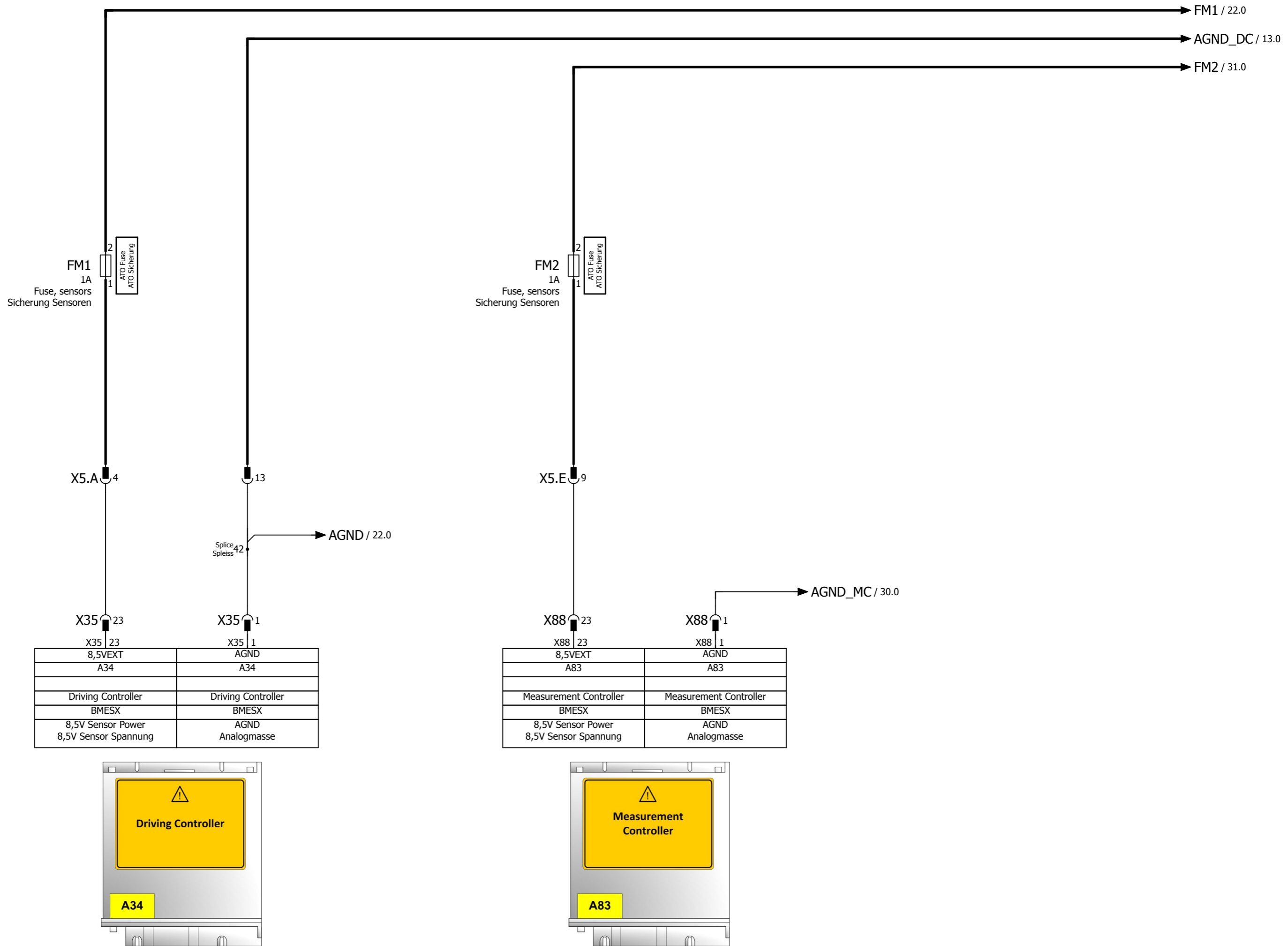
CLICK HERE TO **DOWNLOAD** THE COMPLETE MANUAL

- Thank you very much for reading the preview of the manual.
- You can download the complete manual from: www.heydownloads.com by clicking the link below

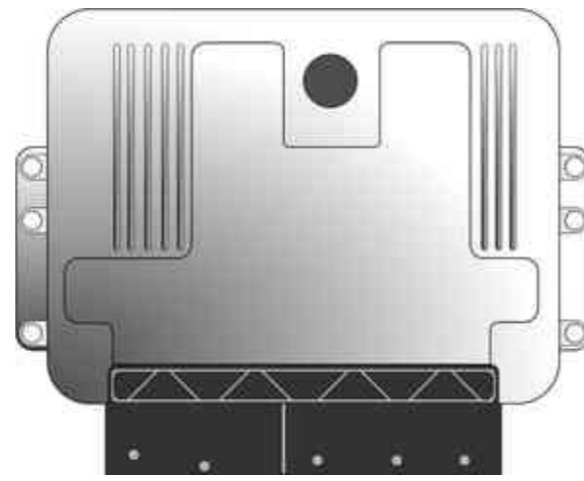


- Please note: If there is no response to CLICKING the link, please download this PDF first and then click on it.

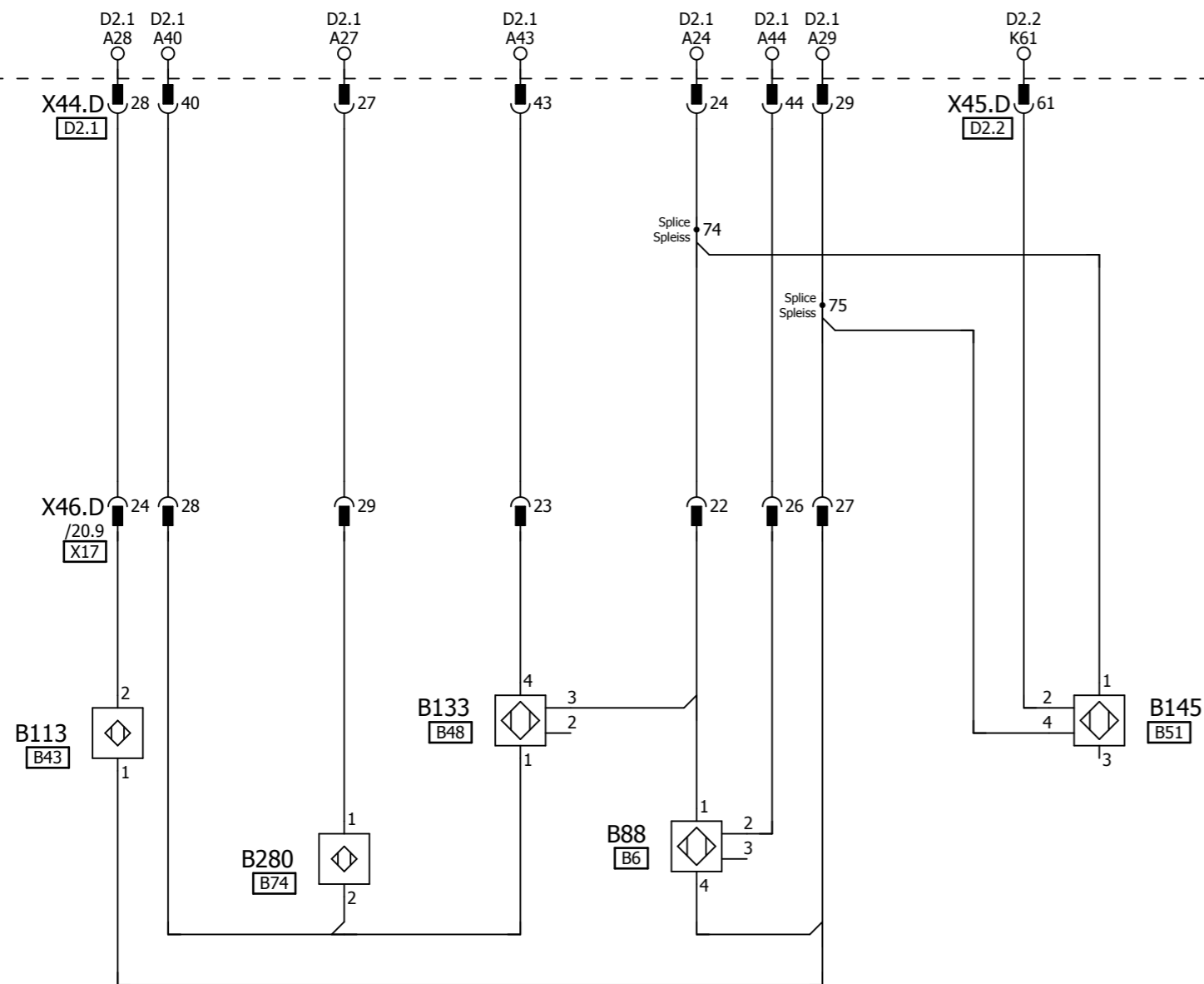
CLICK HERE TO **DOWNLOAD** THE COMPLETE MANUAL



A48.D
 Engine-controller EMR4 (EDC 17-CV54)
 Motorsteuergerät EMR4 (EDC 17-CV54)



Plug, engine-controller motor-part Stecker Motorsteuergerät Motorseite = X44.D
 Plug, engine-controller machine-part X45.D = Stecker Motorsteuergerät Maschinenseite



EMR Temperature sensor, coolant
 EMR Temperatursensor Kühlmittel

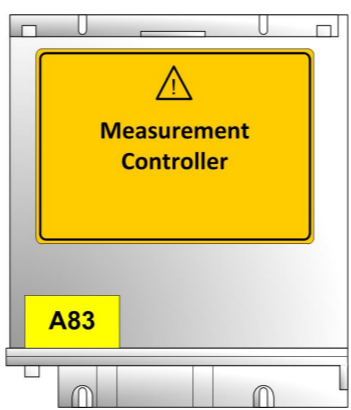
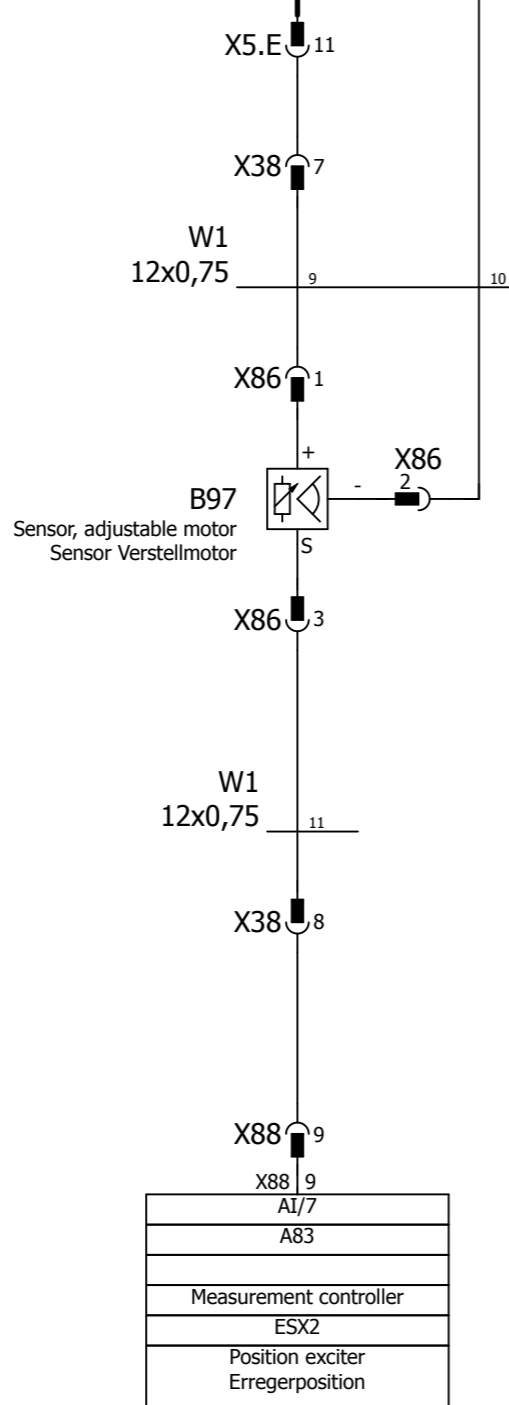
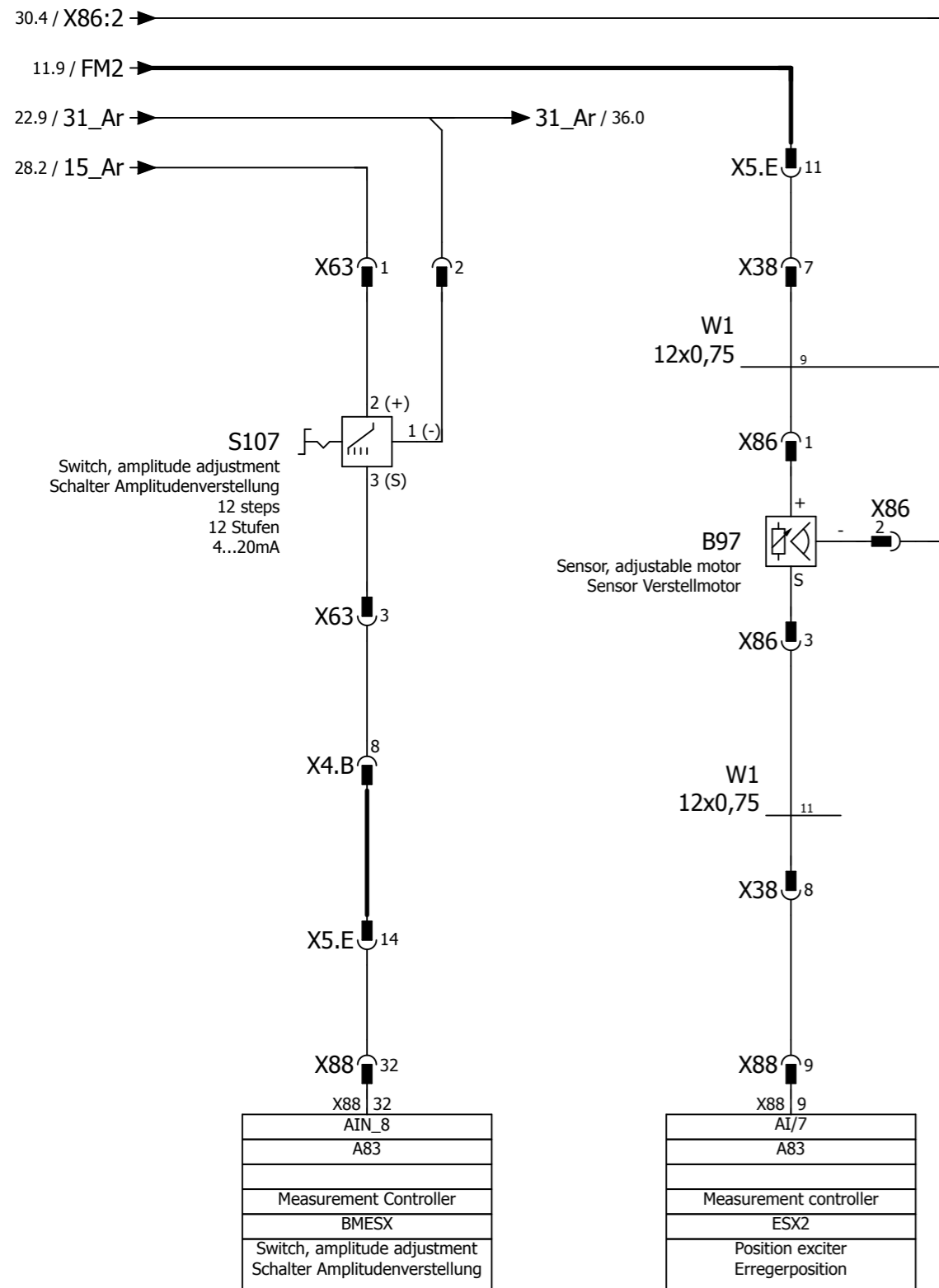
EMR Temperature sensor, air inlet
 EMR Temperatursensor Lufteinlass

EMR Sensor, charging air pressure / -temperature
 EMR Sensor Ladeluftdruck / -temperatur

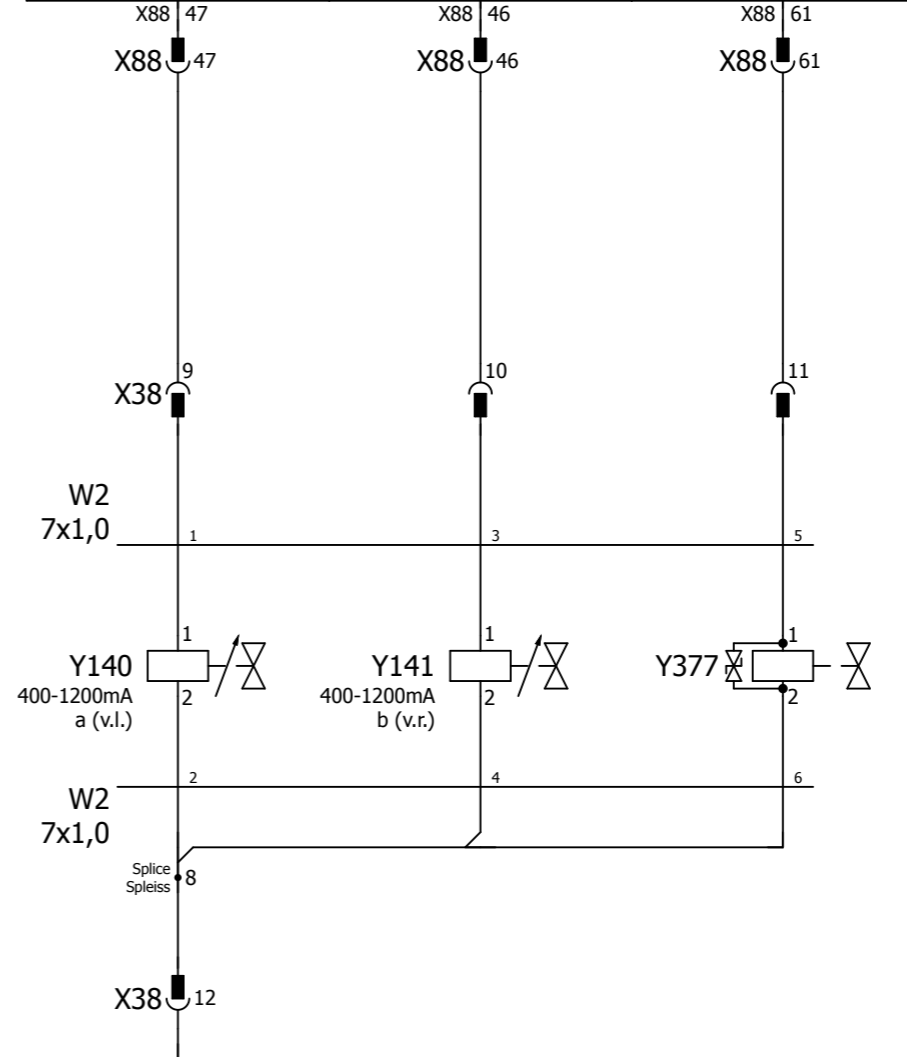
EMR Engine oil pressure
 EMR Motoröldruck

EMR Pressure sensor, low pressure fuel
 Sensor Niederdruck Kraftstoff

0	1	2	3	4	5	6	7	8	9			
Created Erstellt	M. Vogt 17.09.2013			Engine - Deutz EMR 4 Motor-part					Higher-level function Anlage	=	Page Blatt 21	from von 72
Checked Geprüft	D. Nallin 17.09.2013			Motor - Deutz EMR 4 Motorseite					Function Funktion	==	232	
	BW 145-177 D/DH-5								Mounting location Einbauort	+	EPE / 000 / 00	



Exciter up Erreger auf ESX2	Exciter down Erreger ab ESX2	Exciter priority Erreger Priorität BMESX
Measurement controller	Measurement controller	Measurement Controller
A83	A83	A83
DO(PWM)/2	DO(PWM)/1	DO_5



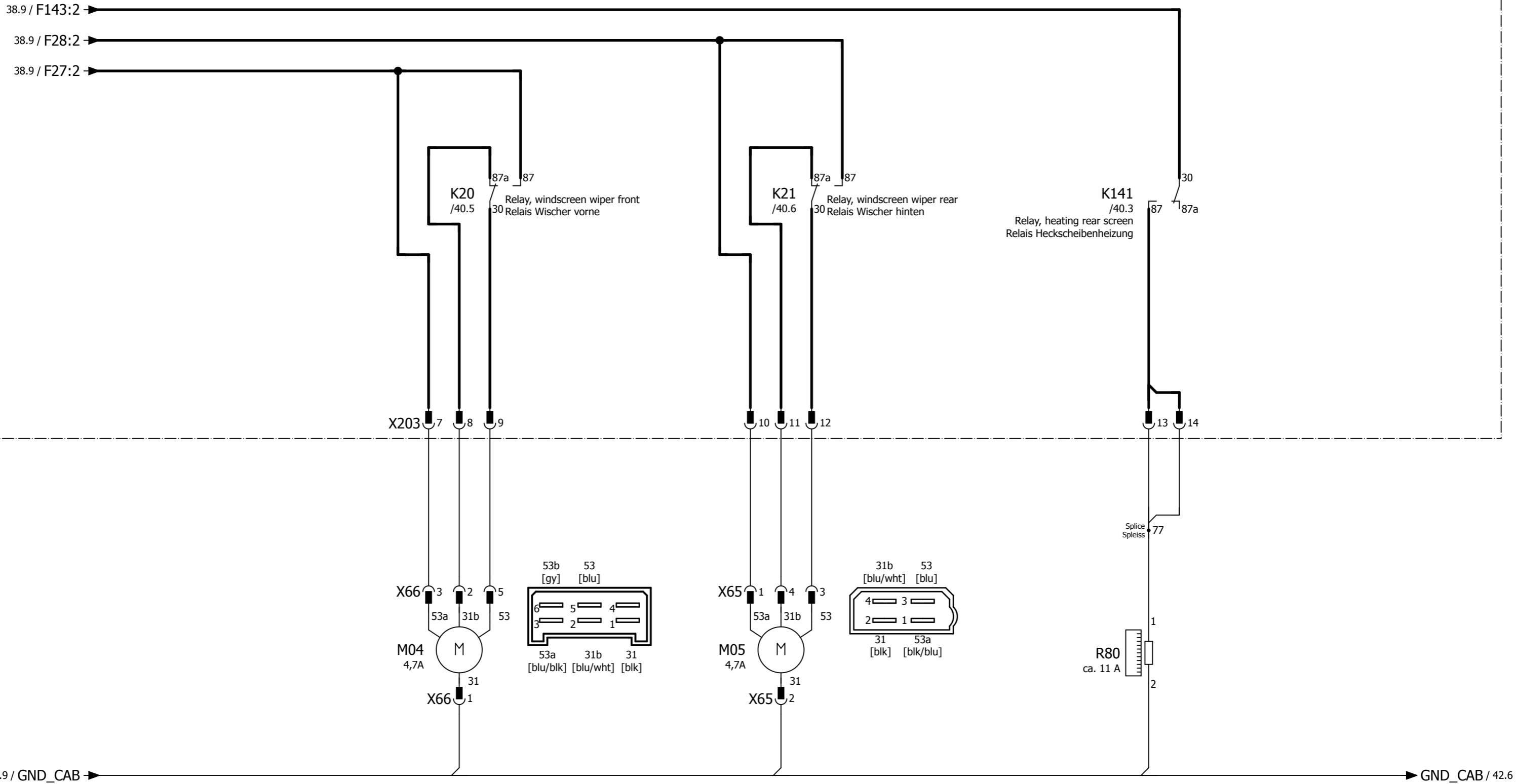
Solenoid valve, exciter up
Magnetventil Erreger auf

Solenoid valve, exciter down
Magnetventil Erreger ab

Solenoid valve, exciter priority
Magnetventil Erreger Priorität

10.9 / 31_MCtrl → BN 1,5 mm²

Console terminal cabin
Bedienkonsole Kabine



Motor, windscreen wiper front
Scheibenwischemotor vorne

Motor, windscreen wiper rear
Scheibenwischemotor hinten

Rear window heater
Heizung Heckscheibe

0	1	2	3	4	5	6	7	8	9	
Created Erstellt M. Vogt 17.09.2013	BW 145-177 D/DH-5		BOMAG FAYAT GROUP	Cabin - Cabin equipment Kabine - Kabinenausüstung					Higher-level function Anlage =	Page Blatt 41 from von 72
Checked Geprüft D. Nallin 17.09.2013						Function Funktion ==	232			
					Mounting location Einbauort +	EPE / 000 / 00				

Device tag list

Betriebsmittelliste

Device tag BMK	Page Blatt	Path Pfad	Mounting location Einbauort	Higher-level function Anlage	Function text	Funktionstext	characteristics Techn.-Kenngrößen
R82	8	2			Glow plug 2	Glühstiftkerze 2	
R83	8	3			Glow plug 3	Glühstiftkerze 3	
R84	8	3			Glow plug 4	Glühstiftkerze 4	
S00	5	7			Ignition switch	Startschalter	
S01	6	4			Switch, emergency off	Schalter NOT AUS	
S06	22	3			Switch, seat contact	Schalter Sitzkontakt	
S09	28	4			Switch, vibration front	Schalter Vibration vorne	
S14	34	5			Switch, hazard light	Warnblinkschalter	
S15	34	2			Switch, lighting StVZO	Schalter Beleuchtung StVZO	
S25	36	7			Switch, heater seat	Schalter Sitzheizung	
S26	33	5			Switch, working lights	Schalter Arbeitsbeleuchtung	
S29	36	5			Switch, suspension seat	Schalter Luftfedersitz	
S30	5	2			Disconnect switch, battery	Batterietrennschalter	250A
S35	28	6			Switch, vibration low / high	Schalter Vibration klein / gross	
S37	34	8			Switch, indicator	Schalter Blinker	
S42	28	1			Switch, speed range selector	Schalter Fahrstufen	
S55	12	8			Travel lever	Fahrhebel	
S107	31	1			Switch, amplitude adjustment	Schalter Amplitudenverstellung	4...20mA
S127	29	2			Switch, engine speed	Schalter Motordrehzahl	
S299	29	4			Switch, regeneration mode	Schalter Regenerationsmodus	
U00	43	8			Voltage transformer	Spannungswandler	12V --> 24V
V01	5	6			Diode	Diode	S5G-E3
V03	25	1			Diode	Diode	SF 64
V04	36	2			Diode	Diode	SF 64
V05	34	7			Diode	Diode	SF 64
V06	34	7			Diode	Diode	SF 64
V07	22	5			Diode	Diode	S1M
V08	22	5			Diode	Diode	S1M
V09	22	7			Diode	Diode	S1M
V010	22	7			Diode	Diode	S1M
Y04	24	6			Solenoid valve, brake	Magnetventil Bremse	2,41A
Y07	26	5			Solenoid valve, vibration front high	Magnetventil Vibration vorne gross	at DH-5 - 400...1060mA at D-5 - 640...1580mA
Y08	26	6			Solenoid valve, vibration front low	Magnetventil Vibration vorne klein	at DH-5 - 400...1060mA at D-5 - 640...1580mA
Y15	36	1			Magnetic clutch, air conditioning compressor	Magnetkupplung Klimakompressor	3,5A
Y16	24	2			Solenoid valve, travel direction forward	Magnetventil Fahrtrichtung vorwärts	640...1580mA

Plug overview Steckerübersicht

Designation Bezeichnung	Mounting location Einbauort			Function text Funktionstext
X45.K				Plug, engine-controller machine-part Stecker Motorsteuergerät Maschinenseite
Contact Kontakt	Page Blatt	Path Pfad	Type Typ	Molex 80 pole st_grey
71	17	2		
78	16	1		
79	16	5		
80	16	6		

Designation Bezeichnung	Mounting location Einbauort			Function text Funktionstext
X46.D				Plug, engine EMR Stecker Motor EMR
Contact Kontakt	Page Blatt	Path Pfad	Type Typ	AMP MCP 62 pole
1	20	7		
2	19	8		
3	19	8		
9	20	5		
13	20	6		
14	20	6		
15	20	7		
19	20	4		
20	20	3		
21	20	6		
22	21	3		
23	21	2		
24	21	1		
25	20	4		
26	21	3		
27	21	4		
28	21	1		
29	21	2		
31	20	4		
32	20	5		
35	20	1		
37	20	3		
38	20	2		
40	20	2		
41	20	2		
42	20	3		
46	20	8		
47	20	8		
48	20	7		
50	20	8		
51	20	8		
61	20	2		
62	20	1		

Designation Bezeichnung	Mounting location Einbauort			Function text Funktionstext
X46.K				Plug, engine EMR 1 Stecker Motor EMR 1
Contact Kontakt	Page Blatt	Path Pfad	Type Typ	Tyco 42 pole
1	16	6		
2	16	6		
3	17	8		
4	17	9		
6	16	2		
7	17	7		
8	17	9		
9	17	7		
12	17	1		
13	17	7		
14	17	3		
15	17	4		
17	17	1		
18	17	4		
19	17	4		
20	17	8		
21	17	0		
22	17	1		
23	17	3		
24	17	8		
26	17	5		
28	17	6		
29	17	6		
30	17	6		
31	16	7		
33	17	7		
36	16	6		
38	17	6		
39	17	5		
40	17	3		
41	17	7		

Designation Bezeichnung	Mounting location Einbauort			Function text Funktionstext
X47				Plug, engine EMR 2 Stecker Motor EMR 2
Contact Kontakt	Page Blatt	Path Pfad	Type Typ	Molex 12 pole
2	18	4		
3	18	6		
4	18	6		
5	18	4		
6	18	7		
8	18	5		
9	18	7		
10	18	6		

CLICK HERE TO **DOWNLOAD** THE COMPLETE MANUAL

- Thank you very much for reading the preview of the manual.
- You can download the complete manual from: www.heydownloads.com by clicking the link below



- Please note: If there is no response to CLICKING the link, please download this PDF first and then click on it.

CLICK HERE TO **DOWNLOAD** THE COMPLETE MANUAL