



BOMAG
FAYAT GROUP

Bomag GmbH

Industriegebiet Hellerwald
D-56154 Boppard



0	1	2	3	4	5	6	7	8	9
Created Erstellt M. Vogt 17.09.2013	BW 145-177 D/DH-5		BOMAG FAYAT GROUP	Cover sheet Deckblatt				Higher-level function Anlage =	Page Blatt 1 from von 72
Checked Geprüft D. Nallin 17.09.2013								Function Funktion ==	232
								Mounting location Einbauort +	EPE / 000 / 00

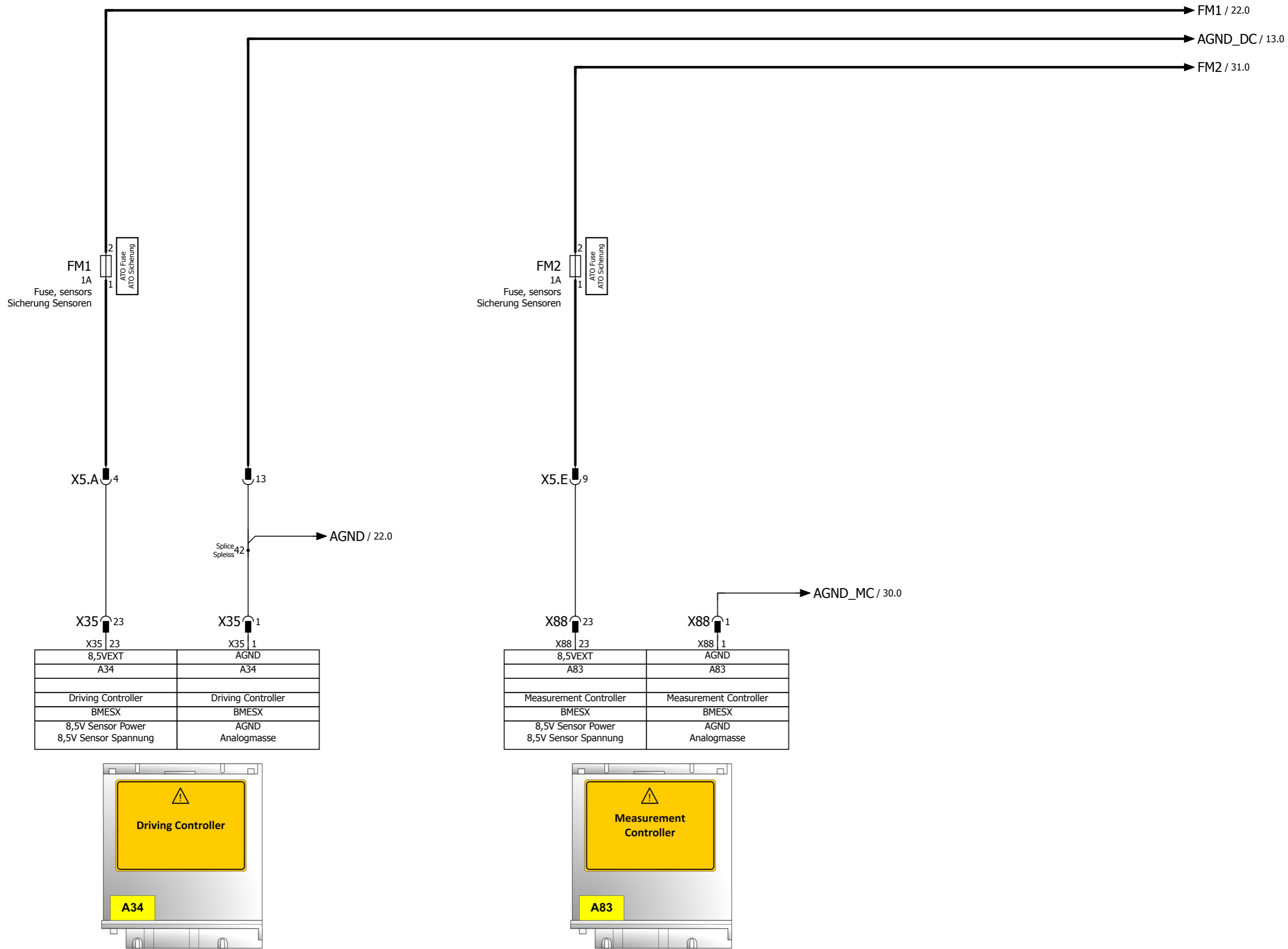
CLICK HERE TO **DOWNLOAD** THE COMPLETE MANUAL

- Thank you very much for reading the preview of the manual.
- You can download the complete manual from: www.heydownloads.com by clicking the link below

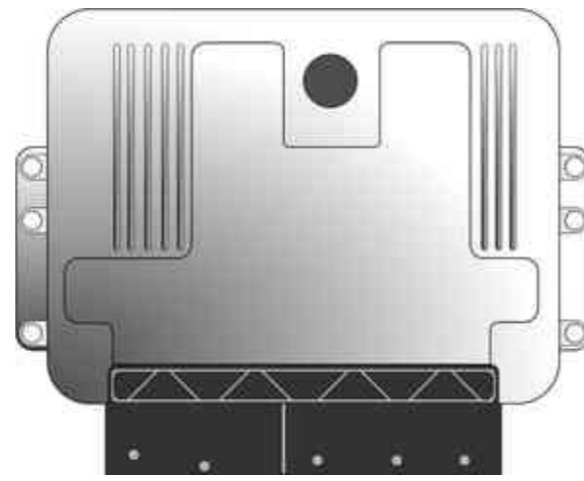


- Please note: If there is no response to CLICKING the link, please download this PDF first and then click on it.

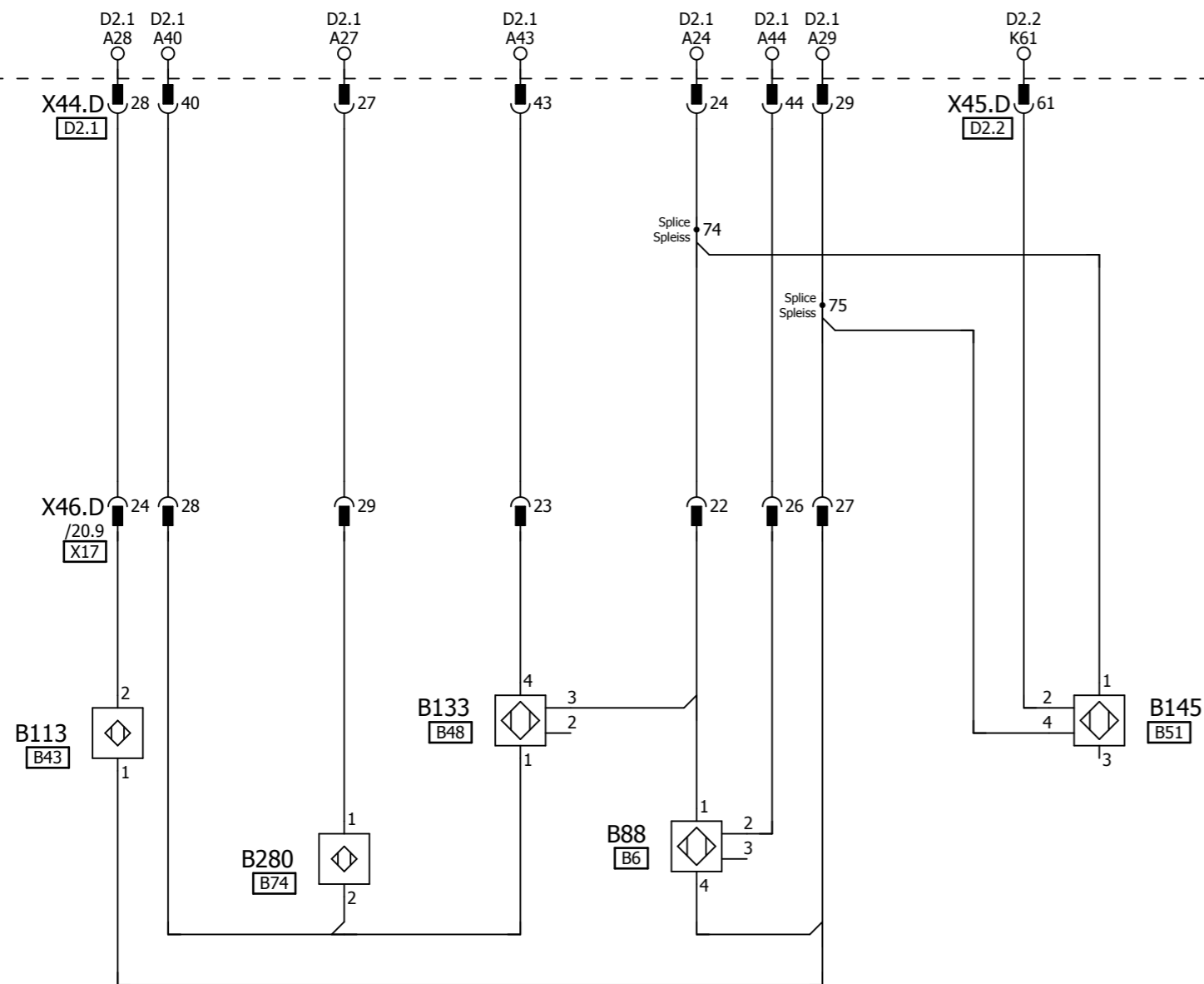
CLICK HERE TO **DOWNLOAD** THE COMPLETE MANUAL



A48.D
 Engine-controller EMR4 (EDC 17-CV54)
 Motorsteuergerät EMR4 (EDC 17-CV54)



Plug, engine-controller motor-part Stecker Motorsteuergerät Motorseite = X44.D
 Plug, engine-controller machine-part X45.D = Stecker Motorsteuergerät Maschinenseite




EMR Temperature sensor, coolant
 EMR Temperatursensor Kühlmittel

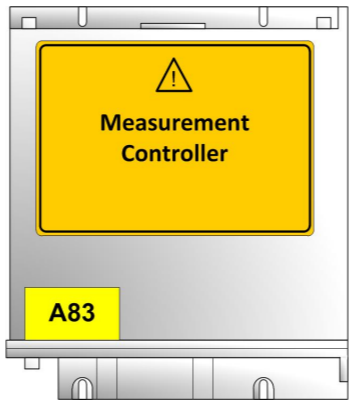
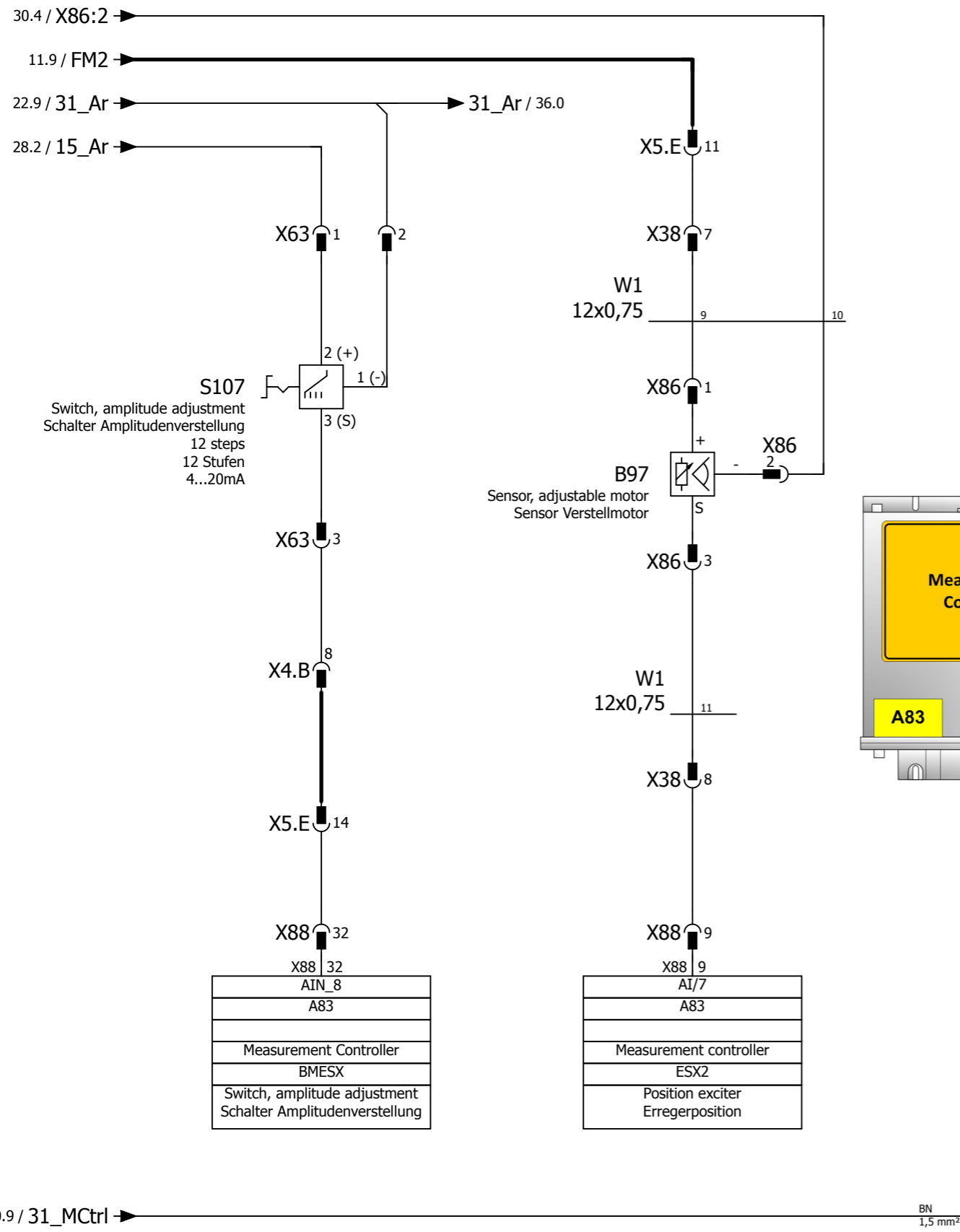
EMR Sensor, charging air pressure / -temperatur
 EMR Sensor Ladeluftdruck / -temperatur

EMR Pressure sensor, low pressure fuel
 Sensor Niederdruck Kraftstoff

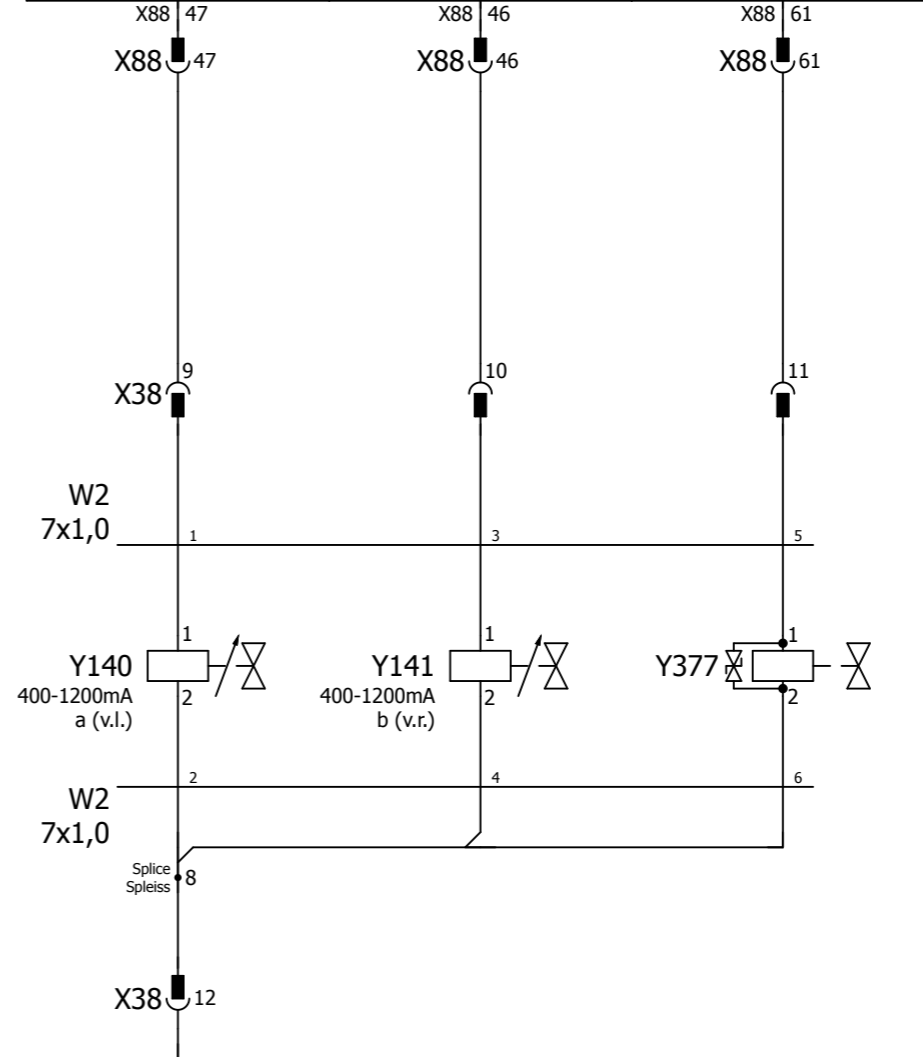
EMR Temperature sensor, air inlet
 EMR Temperatursensor Lufteinlass

EMR Engine oil pressure
 EMR Motoröldruck

0	1	2	3	4	5	6	7	8	9		
Created Erstellt	M. Vogt 17.09.2013	BW 145-177 D/DH-5			Engine - Deutz EMR 4 Motor-part				Higher-level function Anlage =	Page Blatt 21	from von 72
Checked Geprüft	D. Nallin 17.09.2013				Motor - Deutz EMR 4 Motorseite				Function Funktion ==	232	
									Mounting location Einbauort +	EPE / 000 / 00	



Exciter up Erreger auf ESX2	Exciter down Erreger ab ESX2	Exciter priority Erreger Priorität BMESX
Measurement controller	Measurement controller	Measurement Controller
A83	A83	A83
DO(PWM)/2	DO(PWM)/1	DO_5

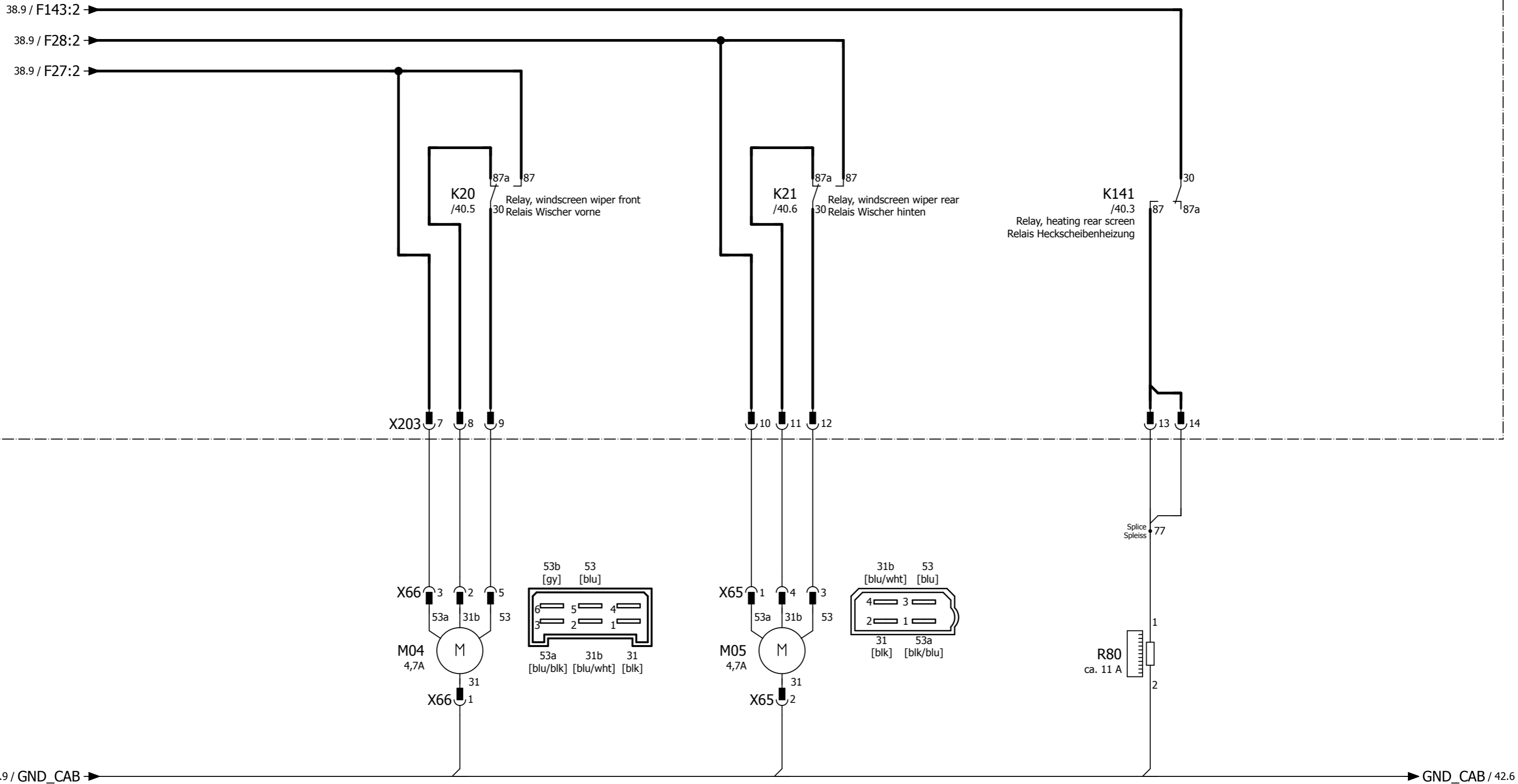


Solenoid valve, exciter up
Magnetventil Erreger auf

Solenoid valve, exciter down
Magnetventil Erreger ab

Solenoid valve, exciter priority
Magnetventil Erreger Priorität


Console terminal cabin
Bedienkonsole Kabine



Motor, windscreen wiper front
Scheibenwischemotor vorne

Motor, windscreen wiper rear
Scheibenwischemotor hinten

Rear window heater
Heizung Heckscheibe

0	1	2	3	4	5	6	7	8	9					
Created Erstellt	M. Vogt 17.09.2013		 BOMAG FAYAT GROUP	Cabin - Cabin equipment Kabine - Kabinenausüstung					Higher-level function Anlage	=	Page Blatt	41	from von	72
Checked Geprüft	D. Nallin 17.09.2013			BW 145-177 D/DH-5					Function Funktion	==	232			
														Mounting location Einbauort

Device tag list

Betriebsmittelliste

Device tag BMK	Page Blatt	Path Pfad	Mounting location Einbauort	Higher-level function Anlage	Function text	Funktionstext	characteristics Techn.-Kenngrößen
R82	8	2			Glow plug 2	Glühstiftkerze 2	
R83	8	3			Glow plug 3	Glühstiftkerze 3	
R84	8	3			Glow plug 4	Glühstiftkerze 4	
S00	5	7			Ignition switch	Startschalter	
S01	6	4			Switch, emergency off	Schalter NOT AUS	
S06	22	3			Switch, seat contact	Schalter Sitzkontakt	
S09	28	4			Switch, vibration front	Schalter Vibration vorne	
S14	34	5			Switch, hazard light	Warnblinkschalter	
S15	34	2			Switch, lighting StVZO	Schalter Beleuchtung StVZO	
S25	36	7			Switch, heater seat	Schalter Sitzheizung	
S26	33	5			Switch, working lights	Schalter Arbeitsbeleuchtung	
S29	36	5			Switch, suspension seat	Schalter Luftfedersitz	
S30	5	2			Disconnect switch, battery	Batterietrennschalter	250A
S35	28	6			Switch, vibration low / high	Schalter Vibration klein / gross	
S37	34	8			Switch, indicator	Schalter Blinker	
S42	28	1			Switch, speed range selector	Schalter Fahrstufen	
S55	12	8			Travel lever	Fahrhebel	
S107	31	1			Switch, amplitude adjustment	Schalter Amplitudenverstellung	4...20mA
S127	29	2			Switch, engine speed	Schalter Motordrehzahl	
S299	29	4			Switch, regeneration mode	Schalter Regenerationsmodus	
U00	43	8			Voltage transformer	Spannungswandler	12V --> 24V
V01	5	6			Diode	Diode	S5G-E3
V03	25	1			Diode	Diode	SF 64
V04	36	2			Diode	Diode	SF 64
V05	34	7			Diode	Diode	SF 64
V06	34	7			Diode	Diode	SF 64
V07	22	5			Diode	Diode	S1M
V08	22	5			Diode	Diode	S1M
V09	22	7			Diode	Diode	S1M
V010	22	7			Diode	Diode	S1M
Y04	24	6			Solenoid valve, brake	Magnetventil Bremse	2,41A
Y07	26	5			Solenoid valve, vibration front high	Magnetventil Vibration vorne gross	at DH-5 - 400...1060mA at D-5 - 640...1580mA
Y08	26	6			Solenoid valve, vibration front low	Magnetventil Vibration vorne klein	at DH-5 - 400...1060mA at D-5 - 640...1580mA
Y15	36	1			Magnetic clutch, air conditioning compressor	Magnetkupplung Klimakompressor	3,5A
Y16	24	2			Solenoid valve, travel direction forward	Magnetventil Fahrtrichtung vorwärts	640...1580mA

Plug overview

Steckerübersicht

Designation Bezeichnung	Mounting location Einbauort	Function text Funktionstext
X45.K		Plug, engine-controller machine-part Stecker Motorsteuergerät Maschinenseite
Contact Kontakt	Page Blatt	Path Pfad
	Type Typ	Molex 80 pole st_grey
71	17	2
78	16	1
79	16	5
80	16	6

Designation Bezeichnung	Mounting location Einbauort	Function text Funktionstext
X46.D		Plug, engine EMR Stecker Motor EMR
Contact Kontakt	Page Blatt	Path Pfad
	Type Typ	AMP MCP 62 pole
1	20	7
2	19	8
3	19	8
9	20	5
13	20	6
14	20	6
15	20	7
19	20	4
20	20	3
21	20	6
22	21	3
23	21	2
24	21	1
25	20	4
26	21	3
27	21	4
28	21	1
29	21	2
31	20	4
32	20	5
35	20	1
37	20	3
38	20	2
40	20	2
41	20	2
42	20	3
46	20	8
47	20	8
48	20	7
50	20	8
51	20	8
61	20	2
62	20	1

Designation Bezeichnung	Mounting location Einbauort	Function text Funktionstext
X46.K		Plug, engine EMR 1 Stecker Motor EMR 1
Contact Kontakt	Page Blatt	Path Pfad
	Type Typ	Tyco 42 pole
1	16	6
2	16	6
3	17	8
4	17	9
6	16	2
7	17	7
8	17	9
9	17	7
12	17	1
13	17	7
14	17	3
15	17	4
17	17	1
18	17	4
19	17	4
20	17	8
21	17	0
22	17	1
23	17	3
24	17	8
26	17	5
28	17	6
29	17	6
30	17	6
31	16	7
33	17	7
36	16	6
38	17	6
39	17	5
40	17	3
41	17	7

Designation Bezeichnung	Mounting location Einbauort	Function text Funktionstext
X47		Plug, engine EMR 2 Stecker Motor EMR 2
Contact Kontakt	Page Blatt	Path Pfad
	Type Typ	Molex 12 pole
2	18	4
3	18	6
4	18	6
5	18	4
6	18	7
8	18	5
9	18	7
10	18	6

CLICK HERE TO **DOWNLOAD** THE COMPLETE MANUAL

- Thank you very much for reading the preview of the manual.
- You can download the complete manual from: www.heydownloads.com by clicking the link below



- Please note: If there is no response to CLICKING the link, please download this PDF first and then click on it.

CLICK HERE TO **DOWNLOAD** THE COMPLETE MANUAL