




BOMAG
FAYAT GROUP

Bomag GmbH
Industriegebiet Hellerwald
D-56154 Boppard

**Wiring illustration
Verkabelungsdarstellung**

	thick lines dicke Linien	routing on Powerboard Routing auf Powerboard
	thin lines dünne Linien	harness wiring Kabelbäume



0	1	2	3	4	5	6	7	8	9
Created Erstellt	A.Müller 11.12.2018	BW 11 RH-5 Tier 3		Cover sheet Deckblatt				Function Funktion ==	Page Blatt 1 from von 50
Checked Geprüft	M.Vogt 11.12.2018				Higher-level function Anlage =	600			
								Mounting location Einbauort +	EPE / 000 / 01

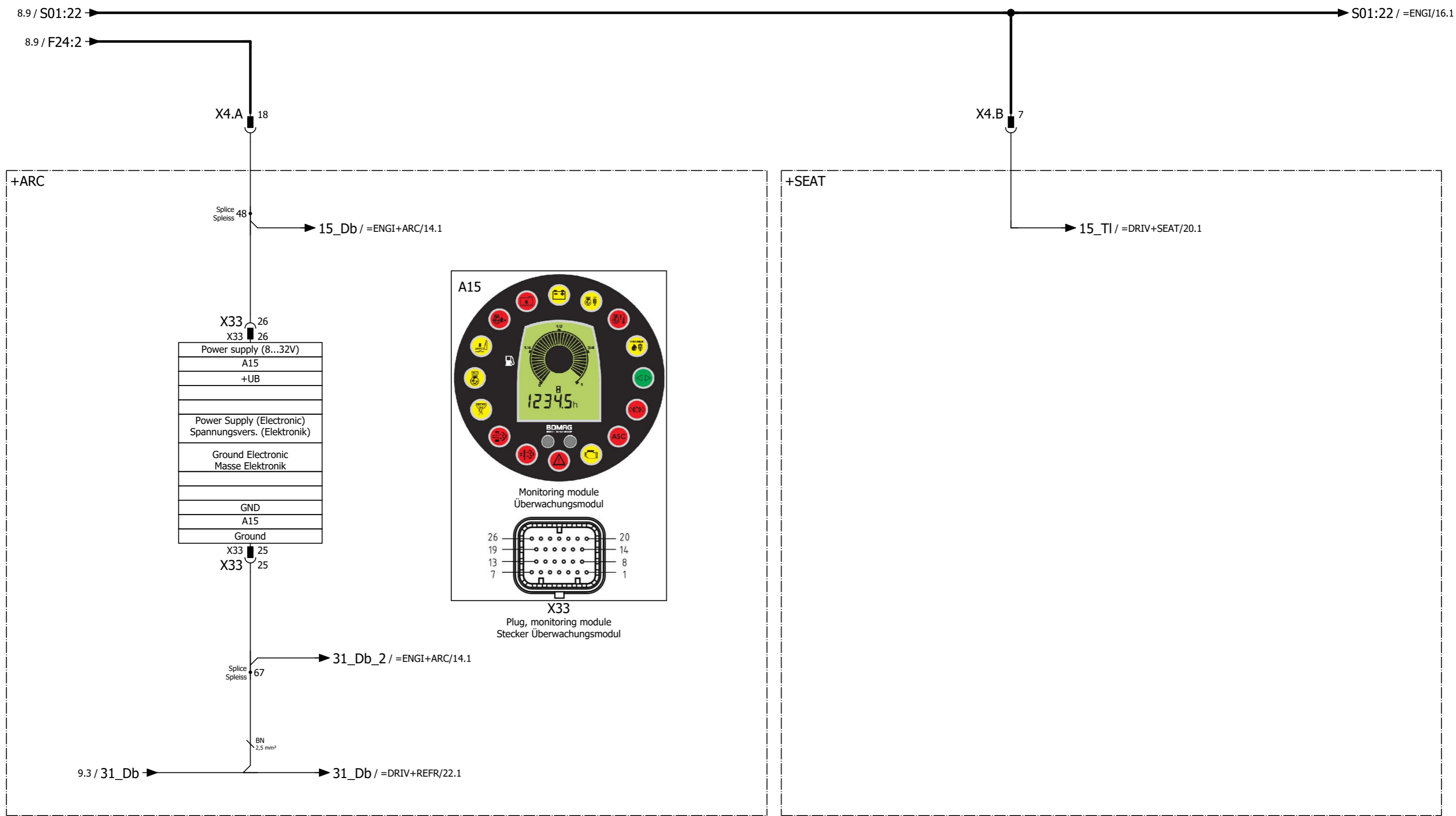
CLICK HERE TO **DOWNLOAD** THE COMPLETE MANUAL

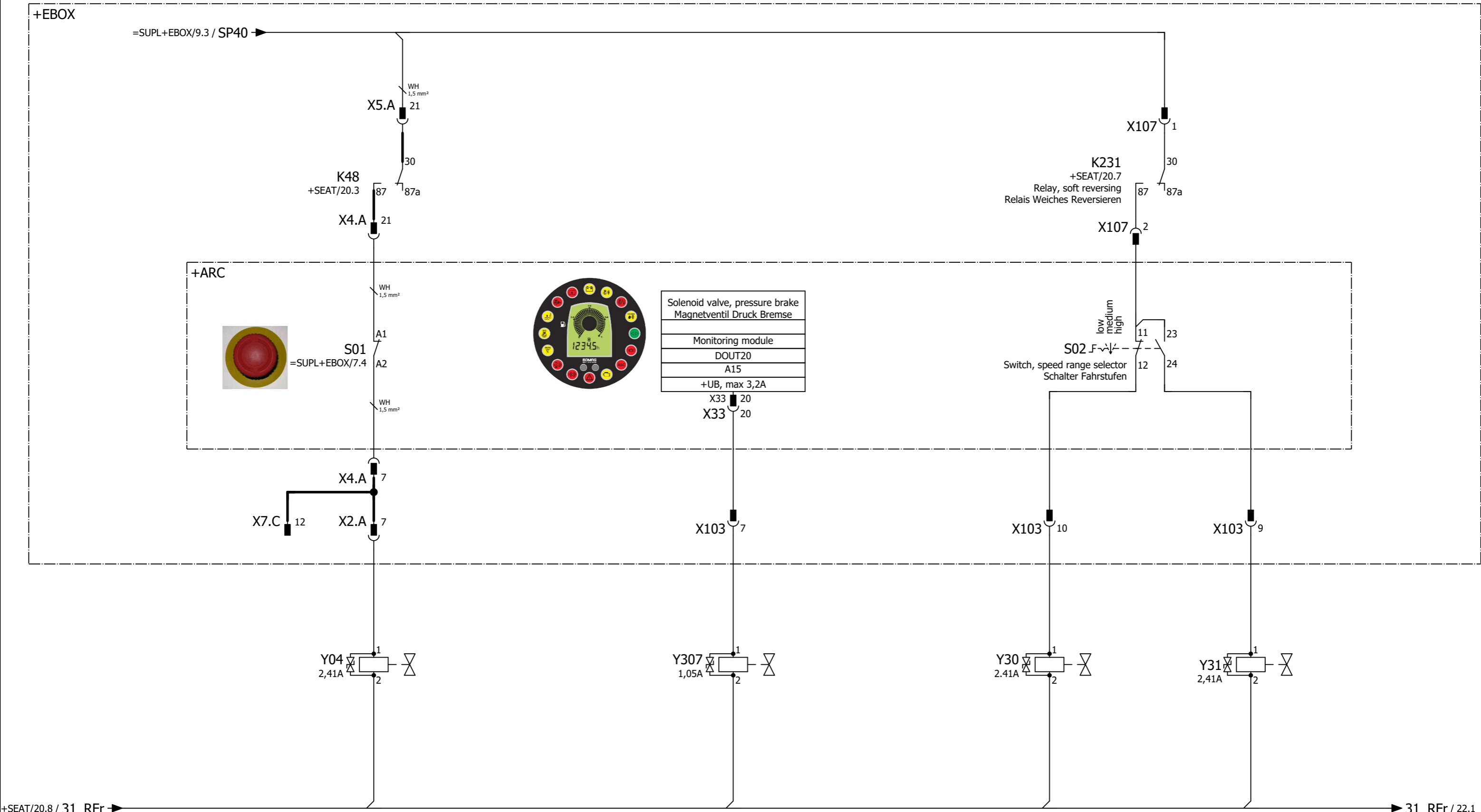
- Thank you very much for reading the preview of the manual.
- You can download the complete manual from: www.heydownloads.com by clicking the link below



- Please note: If there is no response to CLICKING the link, please download this PDF first and then click on it.

CLICK HERE TO **DOWNLOAD** THE COMPLETE MANUAL





+ARC

S01 =SUPL+EBOX/7.4

S02 F ~ V ~
Switch, speed range selector
Schalter Fahrstufen

Solenoid valve, pressure brake
Magnetventil Druck Bremse

Monitoring module
DOUT20
A15
+UB, max 3,2A

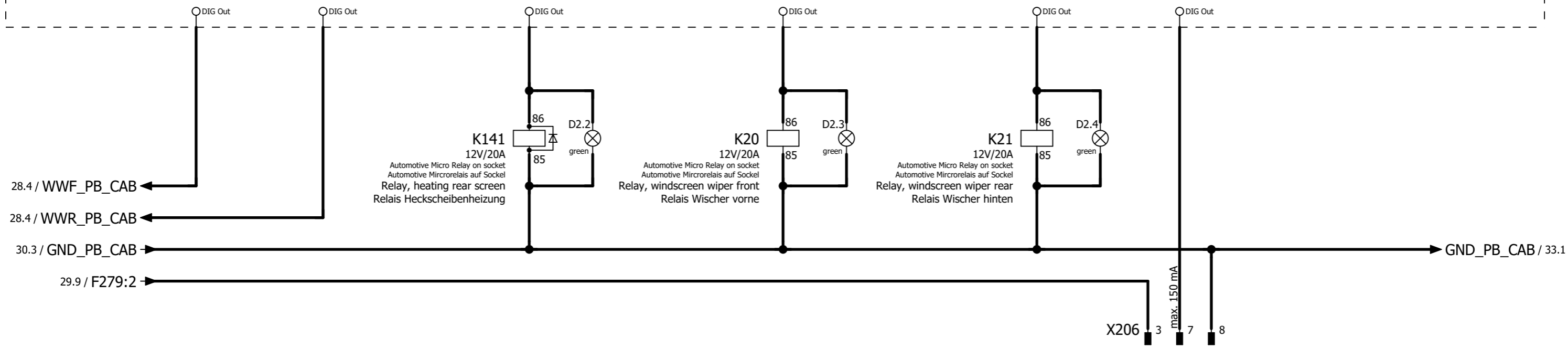
Solenoid valve, brake
Magnetventil Bremse

Solenoid valve, pressure brake
Magnetventil Druck Bremse

Solenoid valve, speed range selector right
Magnetventil Fahrstufe rechts

Solenoid valve, speed range selector left
Magnetventil Fahrstufe links

A178
/28.5
Controller, console terminal cabin
Controller Bedienkonsole Kabine



87 ↗
87a ↘ 30 /32.7

87 ↗
87a ↘ 30 /32.3

87 ↗
87a ↘ 30 /32.5

0		1		2		3		4		5		6		7		8		9							
Created	A.Müller	BW 11 RH-5 Tier 3														BOMAG FAYAT GROUP		Cabin - Cabin equipment Kabine - Kabinenausrüstung		Function	== PTR	Page	31	from	50
Erstellt	11.12.2018																			Higher-level function	= OPT	Anlage	= OPT	600	
Checked	M.Vogt															Mounting location	+ CAB	EPE / 000 / 01							
Geprüft	11.12.2018															Einbauort	+ CAB								

Plug overview

Steckerübersicht

Designation Bezeichnung	Mounting location Einbauort	Function text Funktionstext
X0.A	+EBOX	Plug, supply potential 30 Stecker Versorgung Potential 30
Contact Kontakt	Page Blatt	Path Pfad
30	6	4
Type Typ	Amphenol RADSOK® 8mm	
X0.B	+EBOX	Plug, supply ground Stecker Versorgung Masse
Contact Kontakt	Page Blatt	Path Pfad
31	6	6
Type Typ	Amphenol RADSOK® 6mm	
X0.C	+EBOX	Plug, supply potential 30 before battery disconnect switch Stecker Versorgung Potential 30 vor Batterietrennschalter
Contact Kontakt	Page Blatt	Path Pfad
30	6	4
Type Typ	Amphenol RADSOK® 3,6mm	
X1.A	+EBOX	Plug, access harness engine Stecker Anschluß Kabelbaum Motor
Contact Kontakt	Page Blatt	Path Pfad
1	6	4
2	6	4
3	15	6
4	16	5
5	27	1
6	15	6
7	6	6
8	15	8
9	15	8
Type Typ	AMP Junior Power Timer 9 pole blue	
X1.B	+EBOX	Plug, access harness engine controller Stecker Anschluß Kabelbaum Motorsteuergerät
Contact Kontakt	Page Blatt	Path Pfad
1	16	2
2	16	2
3	16	2
4	16	7
5	16	2
6	16	3
7	16	8
8	16	3
9	16	5
10	16	7
11	16	6
12	16	6
13	16	7
14	16	4
15	16	7
16	16	5
17	16	5
18	16	8
Type Typ	AMP Junior Power Timer 18 pole blue	

Designation Bezeichnung	Mounting location Einbauort	Function text Funktionstext
X2.A	+EBOX	Plug, access harness rear frame Stecker Anschluß Kabelbaum Hinterrahmen
Contact Kontakt	Page Blatt	Path Pfad
1	20	6
2	22	4
4	20	6
7	21	2
9	10	1
10	10	2
12	10	1
13	10	2
14	10	1
15	19	7
Type Typ	AMP Junior Power Timer 15 pole green	
X2.B	+EBOX	Plug, access harness StvZO illumination hinten Stecker Anschluß Kabelbaum StvZO Beleuchtung rear
Contact Kontakt	Page Blatt	Path Pfad
1	25	8
2	25	1
3	25	2
4	25	8
Type Typ	AMP Junior Power Timer 6 pole green	
X4.A	+EBOX	Plug, access harness dashboard Stecker Anschluß Kabelbaum Bedienpult
Contact Kontakt	Page Blatt	Path Pfad
1	8	2
2	22	2
3	6	8
4	25	8
5	19	7
6	25	8
7	21	2
9	6	7
10	7	4
11	25	3
12	8	2
13	6	7
14	13	1
15	24	8
16	19	5
17	13	1
18	11	1
19	7	4
20	6	8
21	21	2
Type Typ	AMP Junior Power Timer 21 pole grey	

CLICK HERE TO **DOWNLOAD** THE COMPLETE MANUAL

- Thank you very much for reading the preview of the manual.
- You can download the complete manual from: www.heydownloads.com by clicking the link below



- Please note: If there is no response to CLICKING the link, please download this PDF first and then click on it.

CLICK HERE TO **DOWNLOAD** THE COMPLETE MANUAL