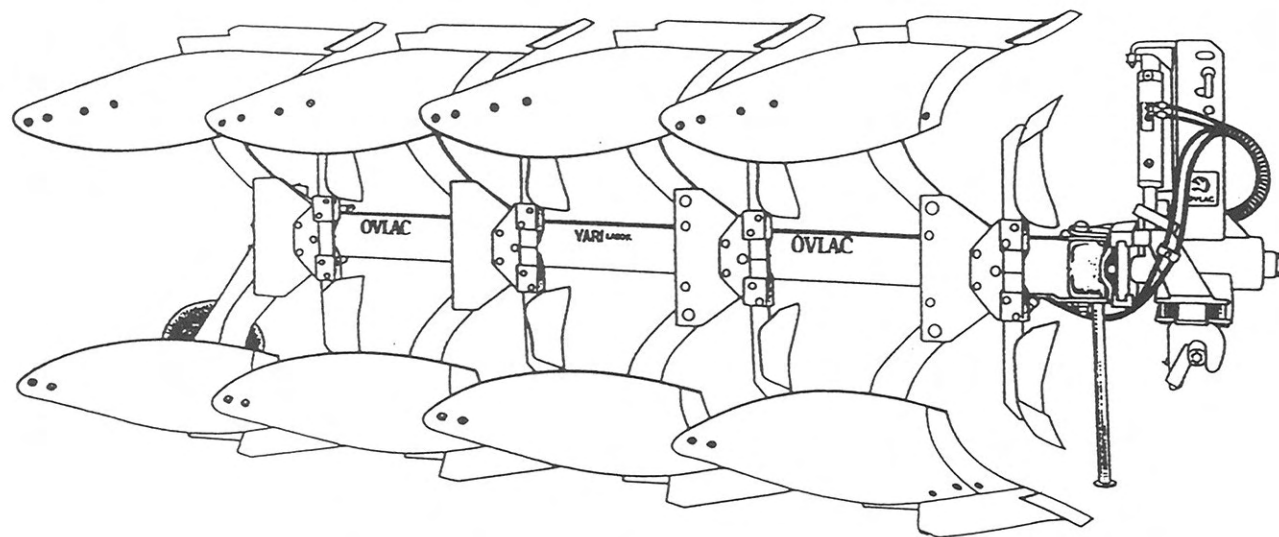


OVLAC



MANUAL DE USO Y MANTENIMIENTO-PIEZAS DE REPUESTO
USE AND MAINTENANCE MANUAL-SPARE PARTS
EMPLOI ET ENTRETIEN-PIÈCES DETACHÉES
GEBRAUCHS UND WARTUNGSANLEITUNG - ERSATZTEILE
MANUALE DI USO E MANUTENZIONE / PEZZI DI RICAMBIO



CLICK HERE TO **DOWNLOAD** THE COMPLETE MANUAL

- Thank you very much for reading the preview of the manual.
- You can download the complete manual from: www.heydownloads.com by clicking the link below



- Please note: If there is no response to CLICKING the link, please download this PDF first and then click on it.

CLICK HERE TO **DOWNLOAD** THE COMPLETE MANUAL

TABLA 6 - SOPORTE BASTIDOR PENTASURCO / 5-FURROWS FRAME SUPPORT / SUPPORT CHÂSSIS 5-CORPS

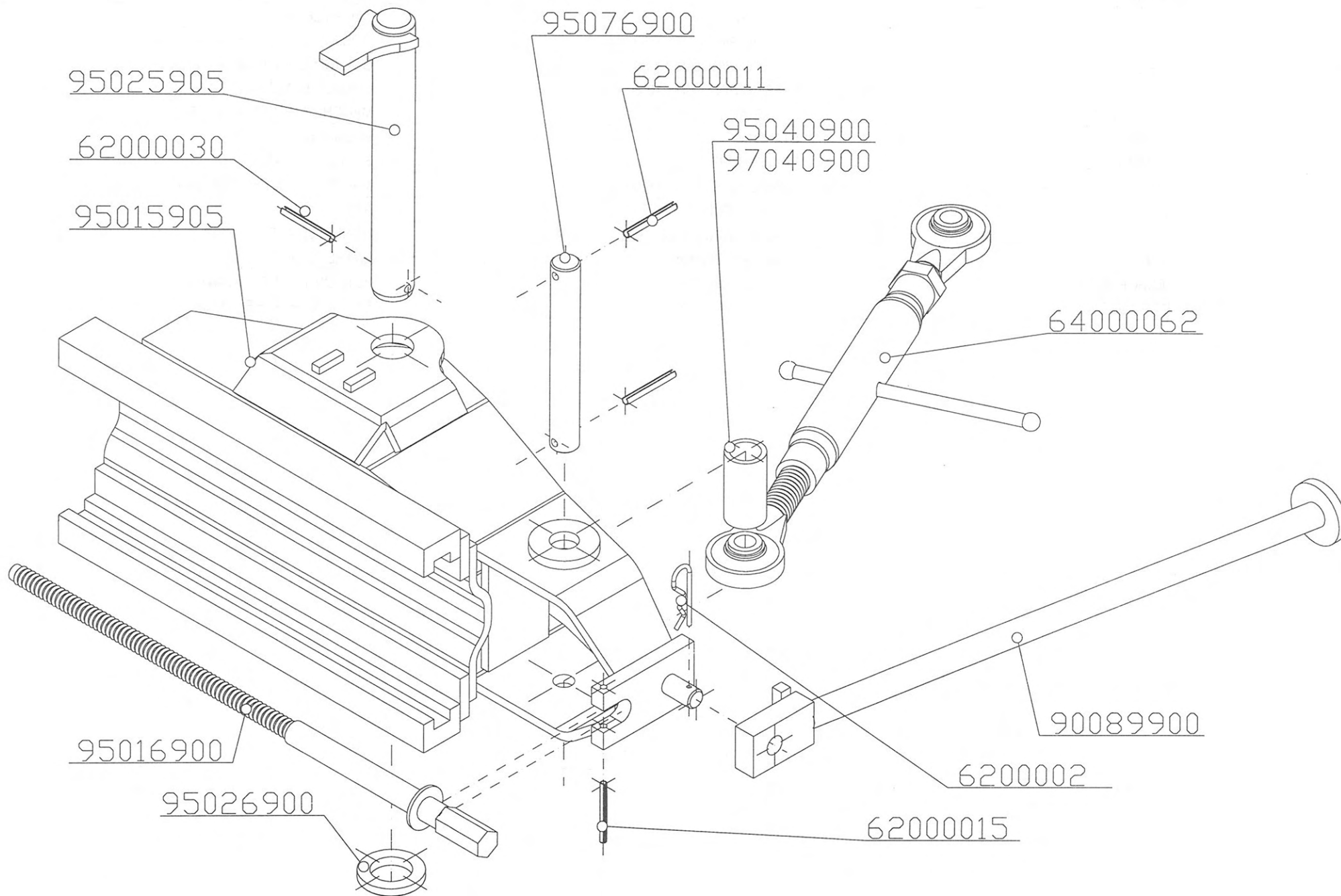


TABLA 9 - BASTIDOR "L" 2 - 3 - 4 / "L" FRAME 2 - 3 - 4 / CHÂSSIS "L" 2 - 3 - 4

REFER.	DESCRIPCION	DESCRIPTION	DESCRIPTION (F)
53000004	ENGRASADOR MT-503 8*125	GREASER MT-503 8*125	GRAISSEUR MT-503 8*125
60000021	TORN.EXAG.C/LAR.1* 85 14h 12.9	LONG HEAD BOLT 1*85 14h12.9	VIS TÊTE LONGUE 1*85 14h 12.9
60000038	TORN.EXAG.DIN-931 20*140 8.8	BOLT D-931 20*140 8.8	VIS D-931 20*140 8.8
60000040	TORN.EXAG.DIN-931 20*230 8.8	BOLT D-931 20*230 8.8	VIS D-931 20*230 8.8
60000099	TORN.EXAG.C/LAR.20*75 10.9	LONG HEAD BOLT 20*75 10.9	VIS TÊTE LONGUE 20*75 10.9
60000100	TORN.EXAG.DIN-931 20*70 8.8	BOLT D-931 20*70 8.8	VIS D-931 20*70 8.8
60000112	TORN.EXAG.DIN-931 20*200 8.8	BOLT D-931 20*200 8.8	VIS D-931 20*200 8.8
60000138	TUER.AUTO.DIN-980 1"SAE 8.8	NUT D-980 1" SAE 8.8	ÉCROU D-980 1" SAE 8.8
60000146	TUER.AUTO.DIN-980 20 8.8	NUT D-980 20 8.8	ÉCROU D-980 20 8.8
60000160	TUER.EXAG.DIN-934 16 8.8	NUT D-934 16 8.8	ÉCROU D-934 16 8.8
60000163	TUER.EXAG.DIN-934 20 8.8	NUT D-934 20 8.8	ÉCROU D-934 20 8.8
62000016	PASADOR ELAST.DIN-1481 10*50	ELASTIC PIN D-1481 10*50	GOUJON ELASTIQUE D-1481 10*50
89019902	BASTIDOR BISURCO 95	2 FURROWS FRAME 95	CHASSIS 2-CORPS 95
89019903	BASTIDOR TRISURCO 95	FRAME 3 FURROWS 95	CHASSIS 3-CORPS 95
89019904	BASTIDOR CUATRISURCO 95	4 FURROWS FRAME 95	CHASSIS 4-CORPS 95
89019912	BASTIDOR BISURCO 85	2 FURROWS FRAME 85	CHASSIS 2-CORPS 85
89019913	BASTIDOR TRISURCO 85	FRAME 3 FURROWS 85	CHASSIS 3-CORPS 85
89019914	BASTIDOR CUATRISURCO 85	4 FURROWS FRAME 85	CHASSIS 4-CORPS 85
89028900	SOPORTE ARTIC.CAMBA LF	"LF" BEAM SUPPORT	SUPPORT ARTICULÉ AGE LF
89029900	SOPORTE ARTICUL.CAMBA/RUEDA LF	"LF" BEAM/WHEEL SUPPORT	SUPPORT ARTIC. AGE/ROUE LF
89073900	SEPARADOR PORTACAMBAS/SOPORTE	BEAM PLATE SPACER	ENTRETOISE PORTE-AGE/SUPP.
91073900	SEPARADOR PORTACAMBAS	BEAM PLATE SPACER	ENTRETOISE PORTE-AGE
92028002	PLACA PORTACAMBA INT./EXT.85	OUT./IN. BEAM PLATE 85	PLAQUE PORTE-AGE INT/EXT 85
92030900	CAMBA VAF/SF 30mm.	BEAM VAF/SF 30mm	AGE VAF/SF 30mm
92030910	CAMBA VAF/SF 25mm.	BEAM VAF/SF 25mm	AGE VAF/SF 25mm
92030975	CAMBA SF 30mm 76cm.DESPEJE	BEAM SF 30mm/76cm CLEAR.	AGE SF 30mm 76cm DEGAG.
92031900	PLACA PORTACAMBA EXTERIOR 95	OUTER BEAM PLATE 95	PLAQUE PORTE-AGE EXTER.95
92074900	TORNILLO FUSIBLE 16*70 10.9	SHEAR BOLT 16*70 10.9	BOULON DE RUPTURE 16*70 10.9
94032900	CALZO REGULACION	ADJUSTING PLATE	PLAQUE REGLAGE
95023901	SOPORTE GIRO BASTIDOR SB/SH	SB/SH FRAME TURNING SUPPORT	SUPPORT TOUR CHASSIS SB/SH
95041900	SEPARADOR TUBO 50mm	TUBE SPACER 50mm	ENTRETOISE TUBE 50mm
95091900	BULON TENSOR POSTERIOR	TURNBUCKLE REAR PIN	BOULON D'ARRIERE MANCHON

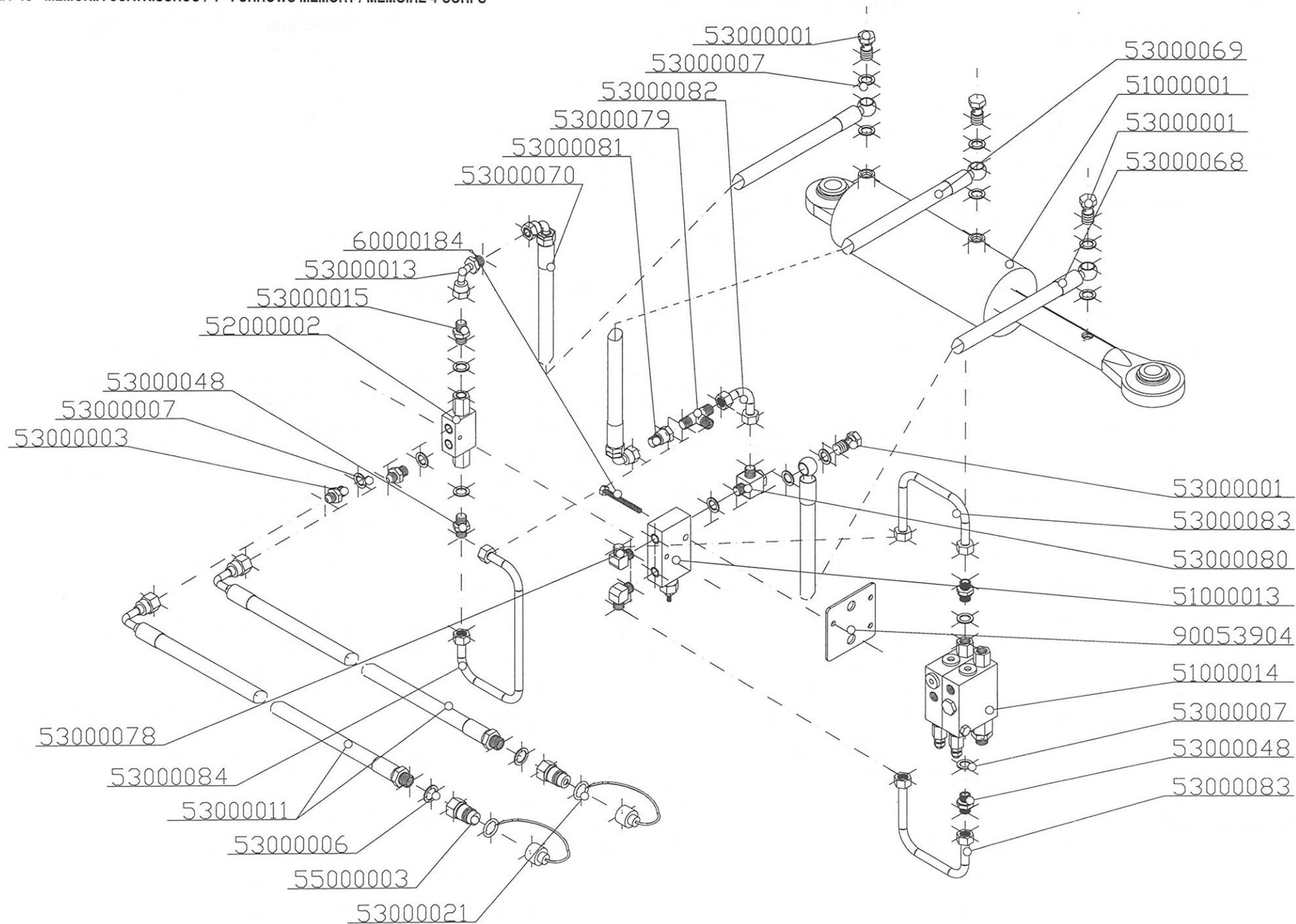


TABLA 20- AJUSTE HIDR. 1^{ER} CUERPO / 1ST FURROW HYDR. ADJUST. / DEPORT LATERAL HYDR.

REFER.	DESCRIPCION	DESCRIPTION	DESCRIPTION (F)
50002900	TUBO SEPARADOR ABRAZADERA	SPACER TUBE	TUBE ENTRETOISE
51000022	CIL.DESPLAZ.C/HORQ.60*30*300	CYLINDER 60*30*300	VERIN AVEC FOURCHE 60*30*300
51000033	CIL.DESP.C/HORQ.60*30*300 LIM.	CYLINDER 60*30*300	VERIN AVEC FOURCHE 60*30*300
52000001	VALV.BLOQUEO 12 VBD12C	LOCK VALVE 12	VALVULE BLOCKAGE 12
53000001	TORNILLO SIMPLE 3/8 4022	SIMPLE BOLT 3/8 4022	VIS SIMPLE 3/8 4022
53000005	LATIG.3/8*2300mm.MF-1/2/OR-3/8	HYDR.TUBE 3/8*2300mm	TUBE HYDR.3/8*2300 MF-1/2/OR-3/8
53000006	JUNTA METAL/GOMA 1/2"	COPPER WASHER 1/2"	JOINT METAL/PNEU 1/2"
53000007	JUNTA METAL/GOMA 3/8"	COPPER WASHER 3/8"	JOINT METAL/PNEU 3/8"
53000019	LATIG.3/8*2700mm.MF-1/2/OR-3/8	HYDR.TUBE 3/8*2700mm	TUBE HYDR.3/8*2700 MF-1/2/OR-3/8
53000021	PROTECTOR DE E.R. MACHO 1/2"	FAST COUPLING PROTECTION	PROTECTEUR RACCORD MALE 1/2"
53000022	ABRAZADERA DOBLE '20mm.	DOUBLE U BOLT 20mm	VIROLE 20mm
53000059	ESFERICO 3/8" TUBO 12mm.CORTO	ESPH.TUBE 3/8" 12mm SHORT	ESPHER.3/8" TUBE 12mm COURT
53000061	ESFERICO 3/8" TUBO 12mm.LARGO	ESPH.TUBE 3/8" 12mm LONG	ESPHER.3/8" TUBE 12mm LONG
53000074	ENGRASADOR EF-507 8*125	GREASER EF-507 8*125	GRAISSEUR EF-507 8*125
55000003	ADAPTADOR E.R.FASTER 1/2"	MALE FAST COUPLING 1/2"	ADAPTATEUR RACCORD 1/2"
60000076	TORN.EXAG.DIN-933 16*40 8.8	BOLT D-933 16*40 8.8	VIS D-933 16*40 8.8
60000105	TORN.EXAG.DIN-931 20*90 8.8	BOLT D-931 20*90 8.8	VIS D-931 20*90 8.8
60000131	TUER.AUTO.DIN-980 8 8.8	NUT D-980 8 8.8	ÉCROU D-980 8 8.8
60000146	TUER.AUTO.DIN-980 20 8.8	NUT D-980 20 8.8	ÉCROU D-980 20 8.8
60000160	TUER.EXAG.DIN-934 16 8.8	NUT D-934 16 8.8	ÉCROU D-934 16 8.8
60000204	TORN.EXAG.DIN-931 8*130 8.8	BOLT D-931 8*130 8.8	VIS D-931 8.130 8.8
74003900	OREJA MANGON	AXLE EXTENSION	EXTENSION AXE
74101900	OREJA DE PLACA 600	600 PLATE-1ST FU. HYDR.ADJUST.	PLAQUE 600-REGL.HYDR.1ER CORPS
74101905	OREJA PLACA 600 PENTASURCO	600 PLATE-5 FURROWS	PLAQUE 600 5-CORPS
90008901	EJE CABEZAL	HEADSTOCK AXLE	AXE TÊTE
90008905	EJE CABEZAL PENTASURCO	HEADSTOCK AXLE 5-FU.	AXE TÊTE 5-CORPS
95015901	SOPORTE DE BASTIDOR	FRAME SUPPORT	SUPPORT CHASSIS
95015905	SOPORTE DE BASTIDOR PENTASURCO	5-FU FRAME SUPPORT	SUPPORT CHASSIS 5-CORPS

CLICK HERE TO **DOWNLOAD** THE COMPLETE MANUAL

- Thank you very much for reading the preview of the manual.
- You can download the complete manual from: www.heydownloads.com by clicking the link below



- Please note: If there is no response to CLICKING the link, please download this PDF first and then click on it.

CLICK HERE TO **DOWNLOAD** THE COMPLETE MANUAL