

Annual Modifications 2018/ 2019



Greenline

CSLG PM: Martin Göldner, Christian Schmid, Andreas Wetzel

ACADEMY: Simon Koerdt

CLICK HERE TO **DOWNLOAD** THE COMPLETE MANUAL

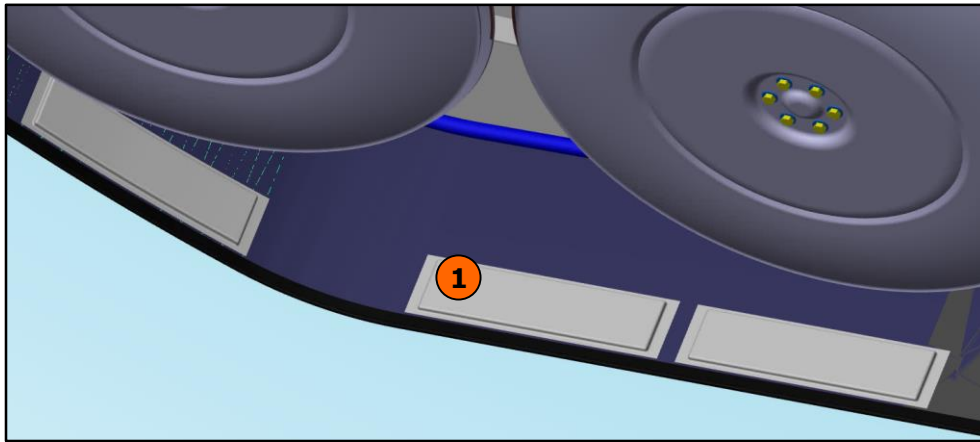
- Thank you very much for reading the preview of the manual.
- You can download the complete manual from: www.heydownloads.com by clicking the link below



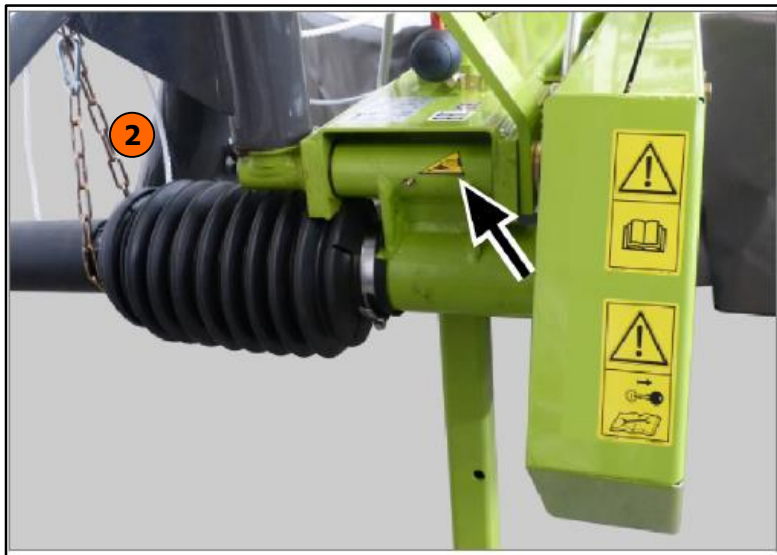
- Please note: If there is no response to CLICKING the link, please download this PDF first and then click on it.

CLICK HERE TO **DOWNLOAD** THE COMPLETE MANUAL

CORTO 190 / 220



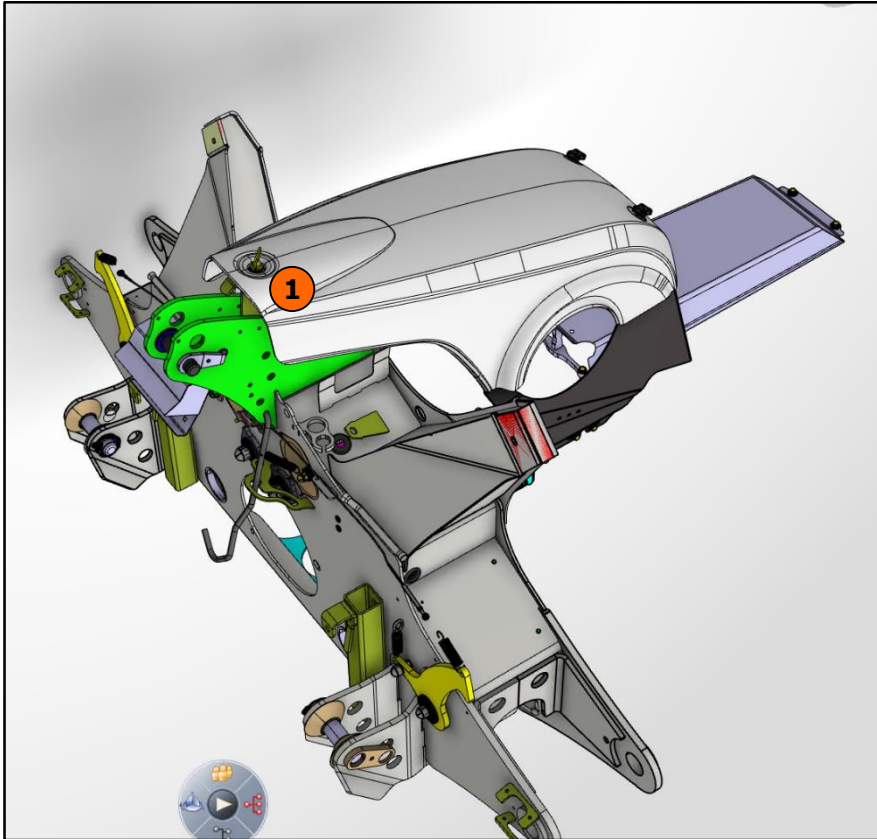
- The chain inside the safety curtains is changed to plastic plates **(1)** (like on the CORTO 3200 CONTOUR)



- Chain and hook of the drive shaft reinforced **(2)**

DISCO Triple mower DISCO 1100 C/RC and 9200 CAS

Cover hydraulic unit



- The cover is shortened by 30mm at the front **(1)**
- Prevention of damage while driving with the top link on the upper position
- Ease of use of KAT 4 top links
- DISCO 1100 from TY 2019 on and DISCO 9200 CAS from second building slot TY 2019 on

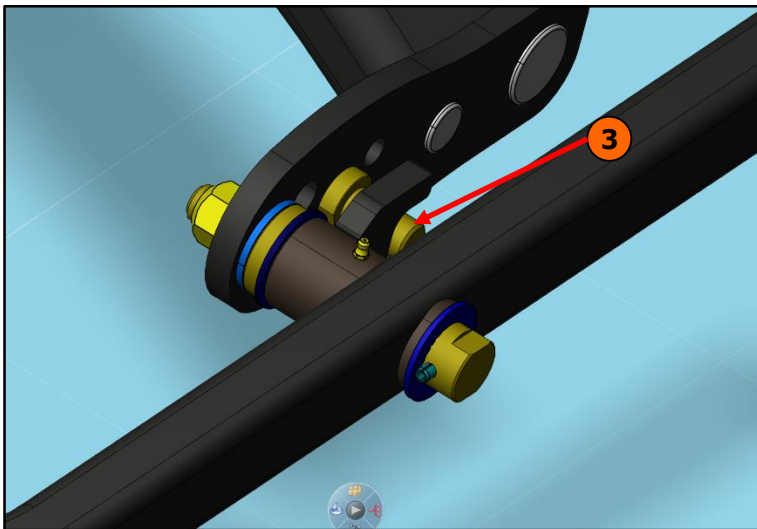
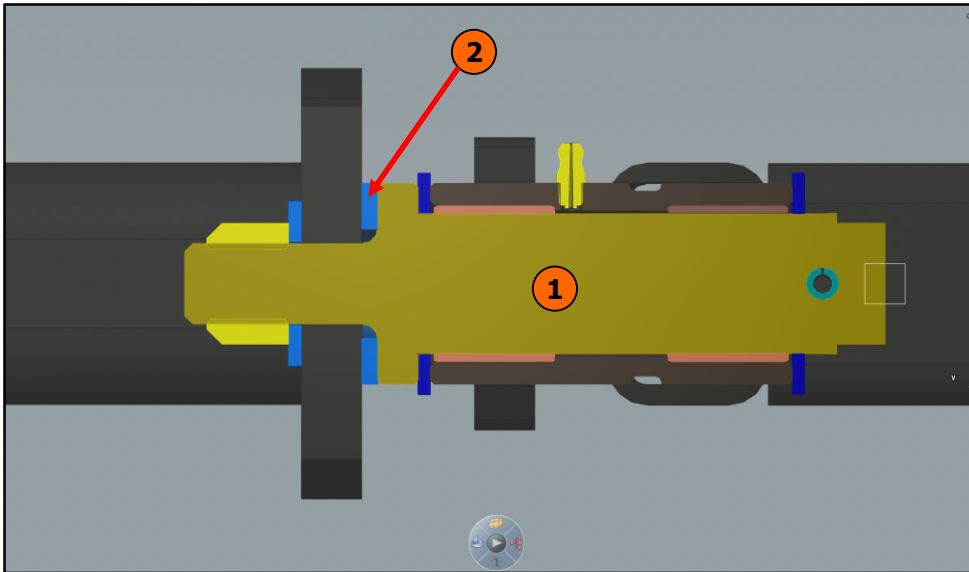
New software

TYP	Version old	Version new	Modifications
F62 – F64 DISCO 9200 Business	V01.05.00	V01.05.01	<ul style="list-style-type: none"> • Service counter is not shown in the order menu as long as there is no service intervall open to do • Setting of DISCO PROFIL or DISCO MOVE in the Init-Menu (Important for AF control of the front mower!) • Sensor monitoring of the front mower starts when speed/pressure signal cable is connected • Button for release of suspension pressure of the front mower is also shown when speed/pressure cable is not connected • When the option ACTIVE FLOAT setting front mower is mounted, the hectar counter is activated/deactivated via the same logic as the AF pressure regulation is activated/deactivated • Improvements of the ACTIVE FLOAT pressure regualtion of the front mower to prevent a „fixed“ front mower
F66 DISCO 9400 DUO	V01.05.00	V01.05.01	<ul style="list-style-type: none"> • New hydraulicblock • Service counter is not shown in the order menu as long as there is no service intervall open to do
F62 – F64 DISCO 8500/9200 CONTOUR	V01.04.01	V02.00.02 (works only on UBM 2.0)	<ul style="list-style-type: none"> • Introduction UBM 2.0 • AUX-N now with UBM 2.0 possible • Service counter is not shown in the order menu as long as there is no service intervall open to do • Sensor monitoring of the front mower starts when speed/pressure signal cable is connected

DISCO Contour machines are now equipped with UBM 2.0. The newest software version is not compatible with old UBM 1.1 machines (TY 2018 and older).

Retrofitting a UBM 2.0 to an older machine is possible. But take care to use the correct software!

LINER



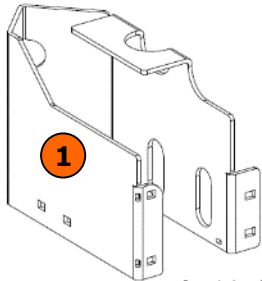
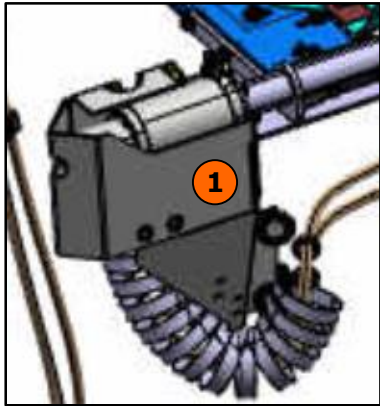
All 6-wheel chassis

- Axle (1) has a radius
- While assembling please check carefully, that the washer (2) is assembled also and centered
- If axle (1) is ordered, the washer (2) automatically will be delivered also

Spare part no.: 2685 071.0

- If the numbers 0485 625.2 and 1598 076.0 are ordered, the axle and washer will be delivered also as mentioned above
- The axle (3) is changed to a different material

CARGOS 700/8000/9000



Isometric view
Scale: 2:5



Transport cover with reinforced covering of the hydraulic motor **(1)**, with additional borehole for improved maintenance access
partNo.: 2614 575.3 (left) and 2614 614.3 (right)

CLICK HERE TO **DOWNLOAD** THE COMPLETE MANUAL

- Thank you very much for reading the preview of the manual.
- You can download the complete manual from: www.heydownloads.com by clicking the link below



- Please note: If there is no response to CLICKING the link, please download this PDF first and then click on it.

CLICK HERE TO **DOWNLOAD** THE COMPLETE MANUAL