

**8792 / 8776
Planter
REPAIR TIME SCHEDULE**

Form Number 4283441M1

Contents

Section	Description
1	Drives
2	Air Tubes
3	Electrical
4	Row Units
5	Markers
6	Tongue, Frame and Wheels

8792 / 8776 Planter RTS

CLICK HERE TO **DOWNLOAD** THE COMPLETE MANUAL

- Thank you very much for reading the preview of the manual.
- You can download the complete manual from: www.heydownloads.com by clicking the link below



- Please note: If there is no response to CLICKING the link, please download this PDF first and then click on it.

CLICK HERE TO **DOWNLOAD** THE COMPLETE MANUAL

8776 / 8792 STACK FOLD PLANTER
DRIVES

Item



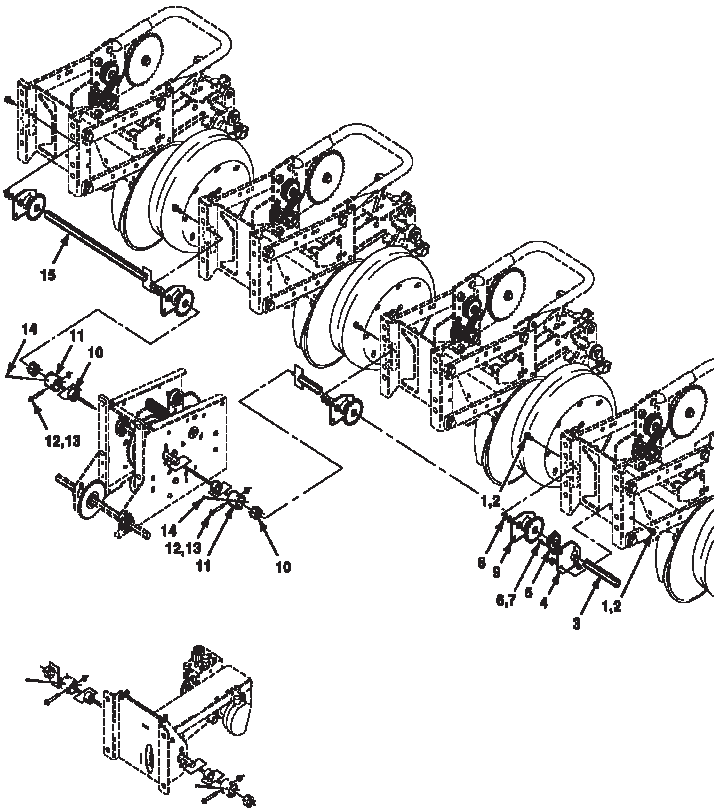
Description

10

ROW UNIT DRIVE

3	DR 10 01	.75	SHAFT-HEX, 3/4 X 58 OR 60 INCH
4	DR 70 01	1.0	PLATE-BEARING MOUNTING
5	DR 10 09	1.0	BEARING ASSEMBLY
9	DR 10 10	1.0	SPROCKET AND BEARING ASSEMBLY
10	DR 10 07	.50	ADAPTER-COUPLING
11	DR 10 08	.50	COUPLING-SEED SHAFT
15	DR 10 01	.75	SHAFT-HEX, 3/4 X 19-1/2 INCH

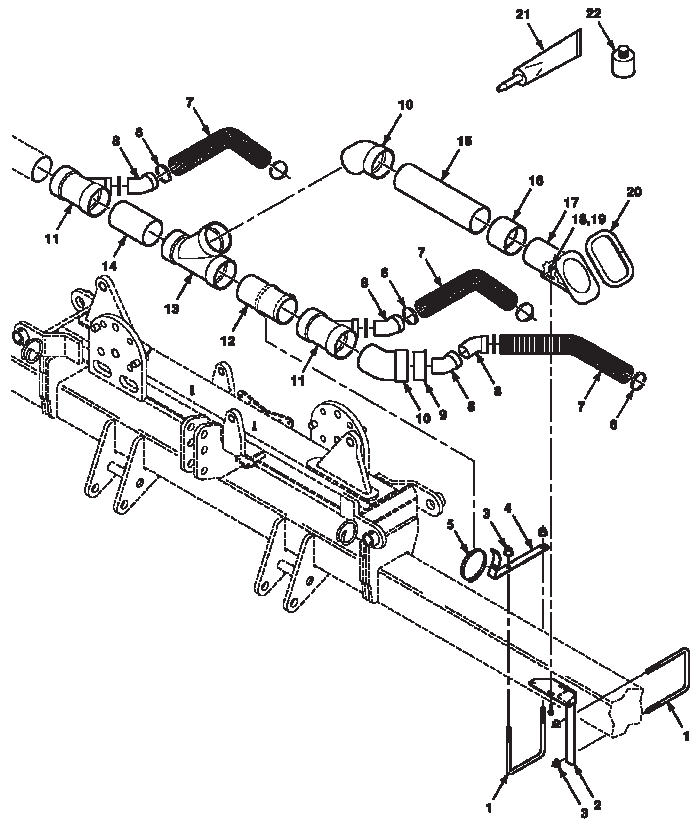
700173581-1



700 173 581-1

**8776 / 8792 STACK FOLD PLANTER
AIR TUBES**

AIR DUCTS-LEFT CENTER (8776)
(30 INCH ROW SPACING)



700 173 880-2

Item



Description

20

1	SM 40 05	.10	U-BOLT, M16 X 2.0
2	SM 40 01	.25	SUPPORT WA-AIR DUCT, LOWER
4	SM 40 02	.10	SUPPORT-TUBE
7	SM 10 01	.25	HOSE-MANIFOLD, 2-3/4 I.D. X 32 INCH
8	SM 10 02	.25	ELBOW-STREET, 2 X 45 Degree
9	SM 10 03	.25	BUSHING-REDUCER, 4 X 2
10	SM 10 04	.25	ELBOW-STREET, 4 X 45 Degree
11	SM 10 05	.25	TEE, Y, 4 X 4 X 2 X 45 Degree
12	SM 10 06	.25	DUCT-AIR, 4 I.D. X 9 INCH
13	SM 10 07	.25	TEE, Y, 4 X 4 X 4 X 45 Degree
14	SM 10 08	.25	DUCT-AIR, 4 I.D. X 7-1/2 INCH
15	SM 10 09	.25	DUCT-AIR, 4 I.D. X 17 INCH
16	SM 10 10	.25	DUCT-AIR, COUPLER
17	SM 10 11	.25	FLANGE WA-AIR DUCT
20	SM 10 12	.25	TRIM-SEAL

700173606-2

**8776 / 8792 STACK FOLD PLANTER
AIR TUBES**

AIR DUCTS-LEFT CENTER (8792)
(38 AND 40 INCH ROW SPACING)

Item

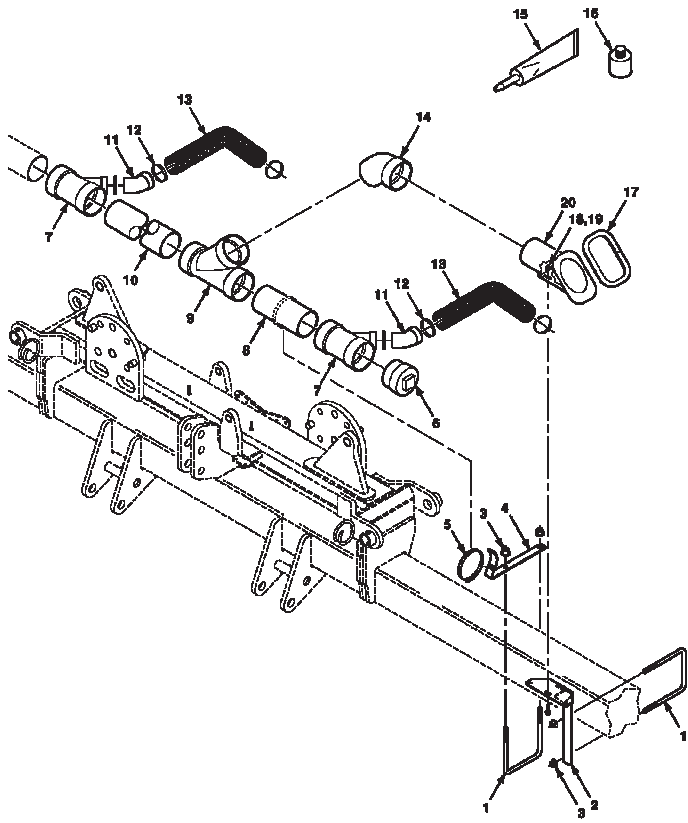


Description

30

- 1 SM 40 38 .10 U-BOLT, M16 X 2.0
- 2 SM 40 39 .25 SUPPORT WA-AIR DUCT, LOWER
- 4 SM 40 40 .10 SUPPORT-TUBE
- 6 SM 11 02 .10 CLEAN OUT, WITH PLUG
- 7 SM 11 04 .25 TEE, Y, 4 X 4 X 2 X 45 Degree
- 8 SM 11 05 .25 DUCT-AIR, 4 I.D. X 10 INCH
- 9 SM 11 06 .25 TEE, Y, 4 X 4 X 4 X 45 Degree
- 10 SM 11 07 .25 DUCT-AIR, 4 I.D. X 7-1/2 INCH
- 11 SM 11 08 .25 ELBOW-STREET, 2 X 45 Degree
- 13 SM 11 09 .25 HOSE-MANIFOLD, 2-3/4 I.D. X 32 INCH
- 14 SM 11 10 .25 ELBOW-STREET, 4 X 45 Degree
- 17 SM 11 11 .25 TRIM-SEAL
- 20 SM 11 12 .25 FLANGE WA-AIR DUCT

700173600-2



700 173 600-2

8776 / 8792 STACK FOLD PLANTER
AIR TUBES

Item



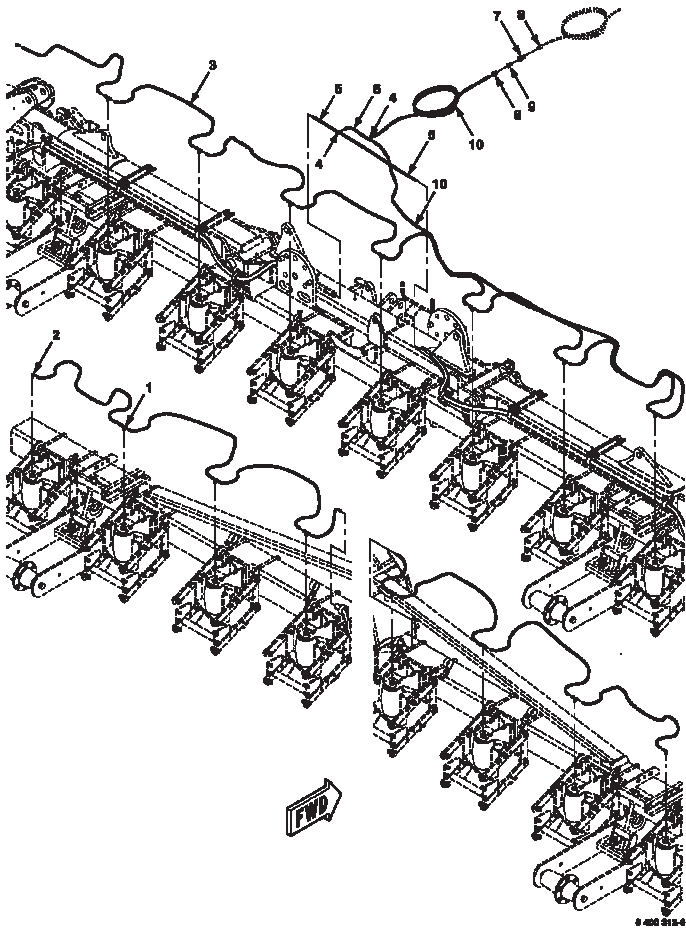
Description

40

PNEUMATIC DOWN FORCE HOSES (8776)

3	SM 60 11	.25	HOSE-PNEUMATIC, 50 INCH
5	SM 60 12	.25	HOSE-PNEUMATIC, 170 INCH
6	SM 60 13	.10	HOSE-PNEUMATIC, 6 INCH
10	SM 60 14	.25	HOSE-PNEUMATIC, 125 INCH

6400312-0



8776 / 8792 STACK FOLD PLANTER
ELECTRICAL

Item



Description

50

GTA CONSOLE HARNESS (IMPLEMENT SWITCH)

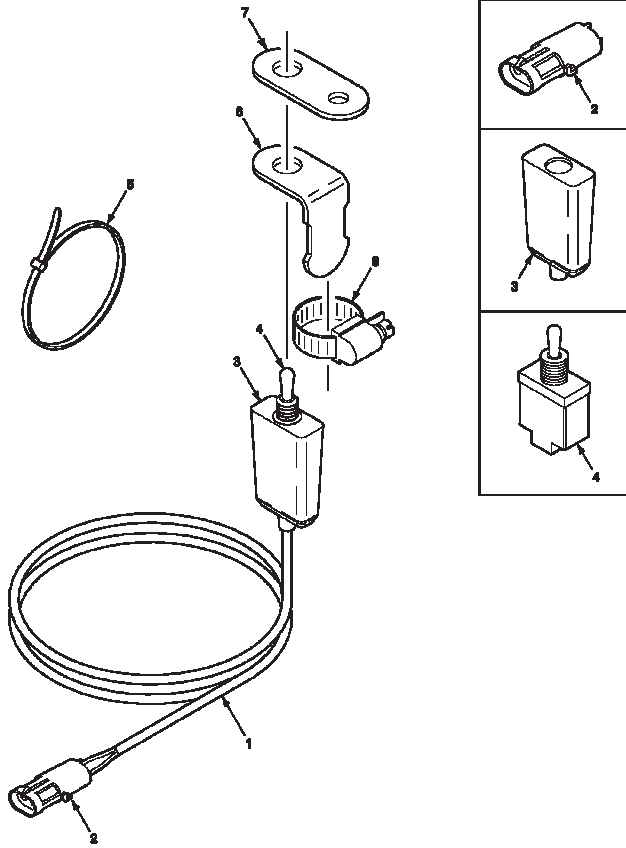
1

EL 50 07

.50

SWITCH ASSEMBLY-IMPLEMENT

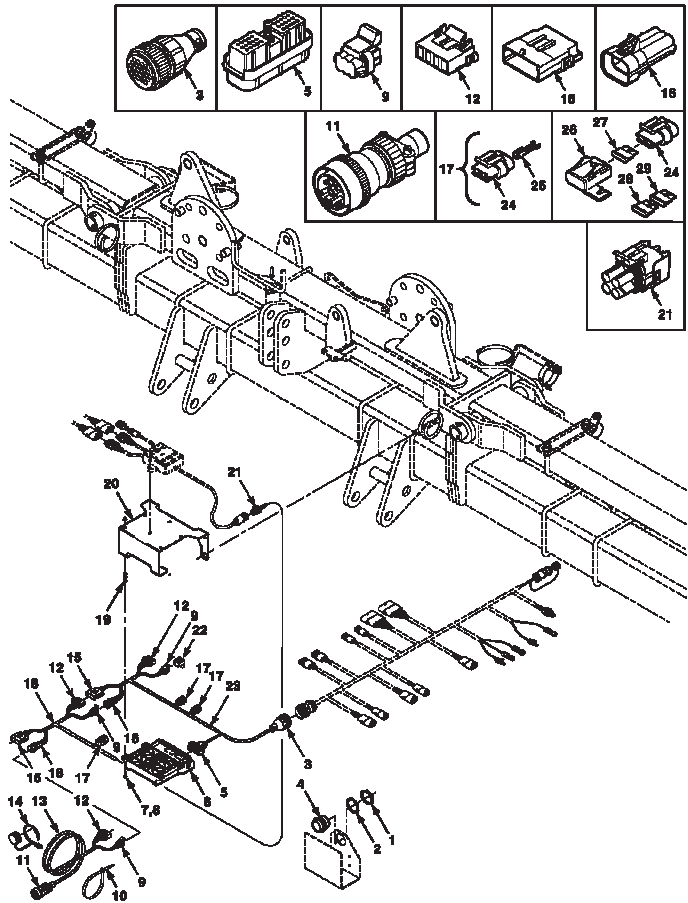
700730221-1



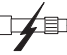

700730221-1

8776 / 8792 STACK FOLD PLANTER
ELECTRICAL

ISO SYSTEM-HYDRAULIC DRIVE



6 400 200-1

Item			Description	60
4	EL 90 14	.10	CAP-RECEPTACLE, MALE	
6	EL 40 05	.50	CONTROLLER ASSEMBLY	
13	EL 10 13	.25	HARNESS ASSEMBLY, HITCH, ISO	
18	EL 10 14	.25	HARNESS ASSEMBLY-ISO BRIDGE MODULE	
20	EL 90 15	.50	ANGLE-MODULE MOUNTING	
22	EL 40 06	.10	TERMINATOR	
			6400309-1	

CLICK HERE TO **DOWNLOAD** THE COMPLETE MANUAL

- Thank you very much for reading the preview of the manual.
- You can download the complete manual from: www.heydownloads.com by clicking the link below



- Please note: If there is no response to CLICKING the link, please download this PDF first and then click on it.

CLICK HERE TO **DOWNLOAD** THE COMPLETE MANUAL

8776 / 8792 STACK FOLD PLANTER
ELECTRICAL

Item



Description

70

LIFT SWITCH AND MOUNTING

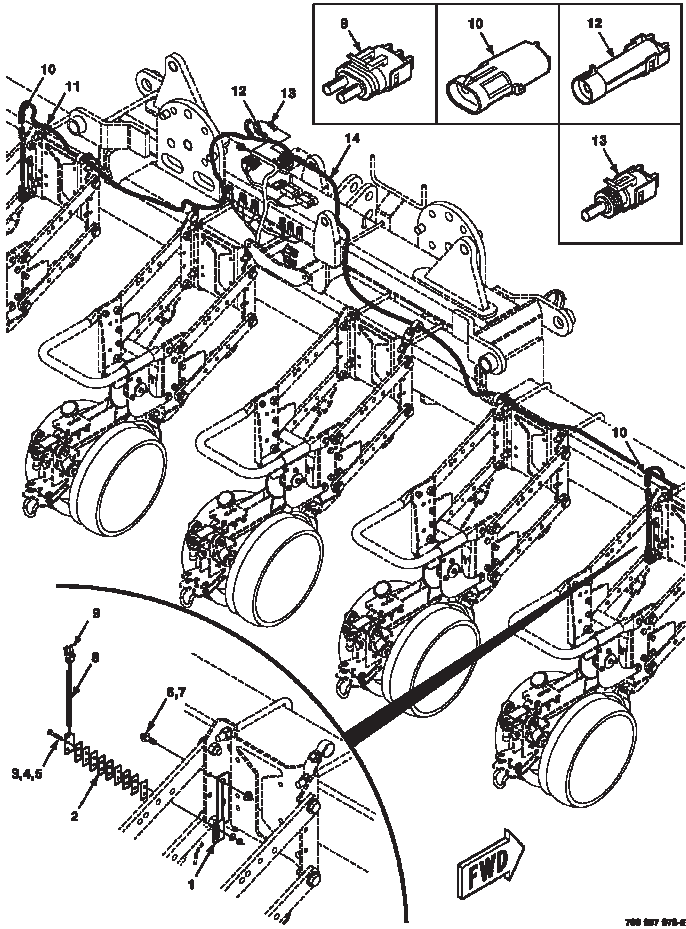
- 1
- 8
- 14

EL 90 31
EL 10 34
EL 10 35

.50
.25
.50

MOUNT-LIFT SWITCH
SWITCH ASSEMBLY-LIFT
HARNES-LIFT SWITCH

700957978-2



700 877 878-2

8776 / 8792 STACK FOLD PLANTER
ROW UNITS

Item



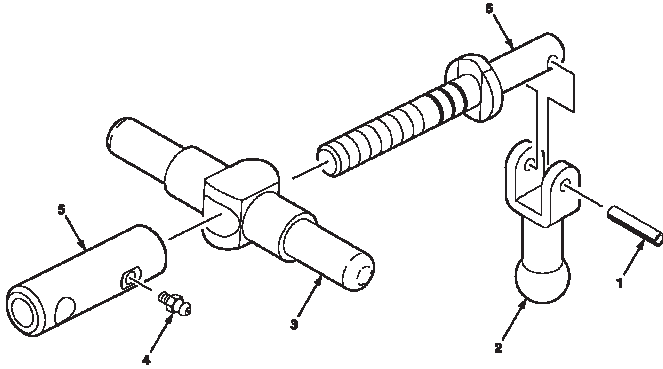
Description

80

DEPTH ADJUSTMENT

2	SM 30 44	.10	HANDLE
3	SM 30 45	.50	ARM-EQUALIZER
5	SM 30 46	.50	LINK-ADJUSTING
6	SM 30 47	.50	SCREW-ADJUSTING

700728297-0



700728297-0

8776 / 8792 STACK FOLD PLANTER
MARKERS

Item



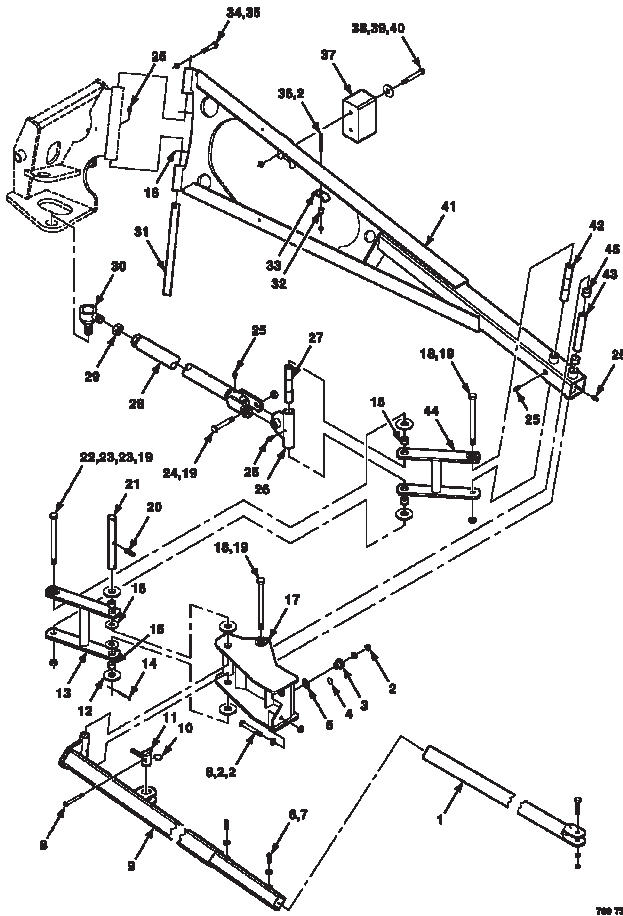
Description

90

MARKER
(LEFT SIDE SHOWN, RIGHT SIDE OPPOSITE)

- 1 AT 20 13 .25 TUBE-EXTENSION
- 9 AT 20 14 .50 ARM
- 11 AT 20 15 .25 PIN-ALIGNMENT
- 13 AT 20 16 .50 LINKAGE
- 17 AT 20 17 .75 BOX WA
- 21 AT 20 18 .50 PIN, 9-1/8 INCH
- 26 AT 20 19 .50 MOUNT-STRUT
- 28 AT 20 20 .50 STRUT
- 30 AT 20 21 .25 BALL-JOINT
- 31 AT 20 22 .50 PIN, 21-1/2 INCH
- 37 AT 20 23 .25 BUMPER-RUBBER
- 41 AT 20 24 .75 ARM-MARKER
- 44 AT 20 25 .50 LINKAGE

700734556-2



700734556-2

**8776 / 8792 STACK FOLD PLANTER
TONGUE, FRAME AND WHEELS**

Item



Description

100

**PTO PUMP & MOUNT-GROUND DRIVE
(540 RPM)(1000 RPM 1-3/8)**

-

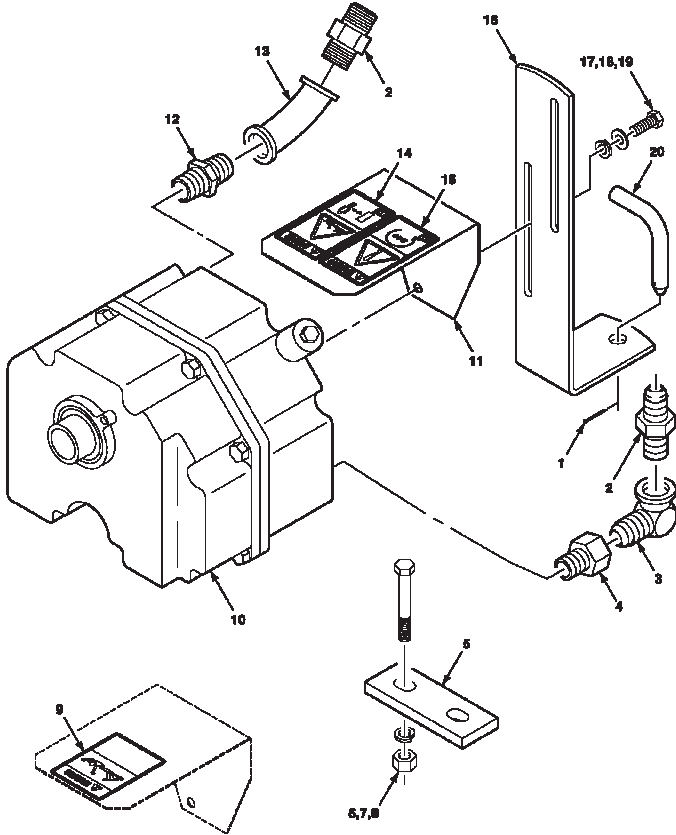
HY 65 03

.75

PTO PUMP & MOUNT-GROUND DRIVE
(540 RPM)(1000 RPM 1-3/8)

[A] THE APPROPRIATE SAFETY DECALS MUST
BE ORDERED AND FITTED TO THIS PART

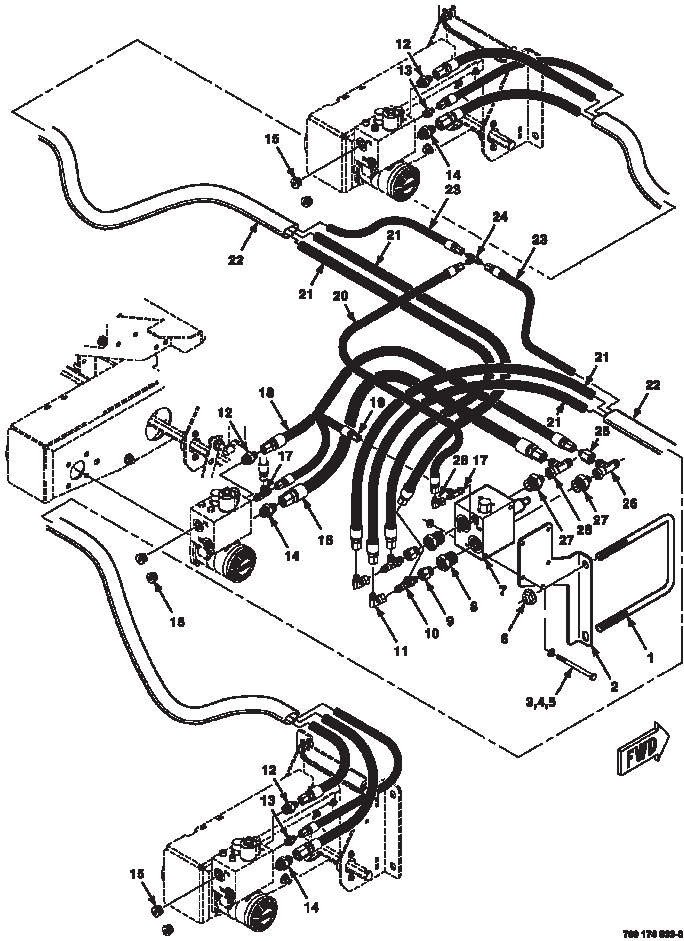
700906227-0







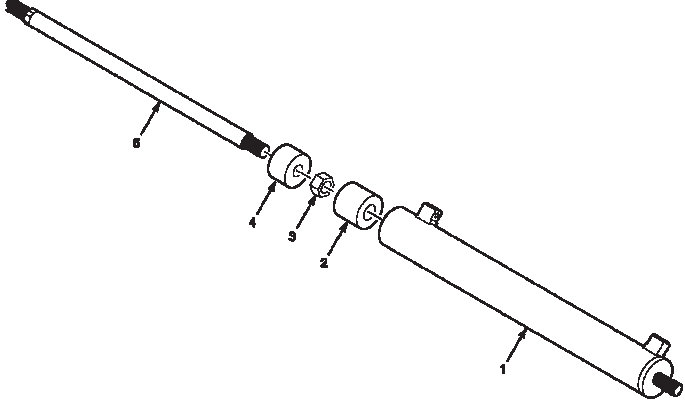
700906227-0

8776 / 8792 STACK FOLD PLANTER
TONGUE, FRAME AND WHEELS

MAIN DRIVE HYDRAULICS (HYDRAULIC DRIVE)
(8792)



Item			Description	110
1	HY 90 12	.50	U-BOLT, M16 X 2.0	
2	HY 90 13	.50	ANGLE-VALVE MOUNT	
7	HY 40 06	1.0	VALVE ASSEMBLY-HYDRAULIC (REPLACEMENT)	
16	HY 50 04	.50	HOSE-HYDRAULIC, 1/2 I.D. X 16-1/2 INCH	
18	HY 50 04	.50	HOSE-HYDRAULIC, 3/8 I.D. X 19 INCH	
19	HY 50 04	.50	HOSE-HYDRAULIC, 1/4 I.D. X 16-1/2 INCH	
20	HY 50 04	.50	HOSE-HYDRAULIC, 1/4 I.D. X 21-5/8 INCH	
21	HY 50 04	.50	HOSE-HYDRAULIC, 3/8 I.D. X 208-5/8 INCH	
22	HY 50 06	.75	SLEEVE-NYLON	
23	HY 50 04	.50	HOSE-HYDRAULIC, 1/4 I.D. X 232-1/4 INCH	
700174633-0				

8776 / 8792 STACK FOLD PLANTER TONGUE, FRAME AND WHEELS	Item			Description	120
<p>HYDRAULIC CYLINDER ASSEMBLY-MARKERS (700735566 HYDRAULIC CYLINDER ASSEMBLY)</p>  <p style="text-align: right;">700 734 566-0</p>	-	HY 60 04	1.0	<p>HYDRAULIC CYLINDER ASSEMBLY</p> <p>700734566-0</p>	

8776 / 8792 STACK FOLD PLANTER
TONGUE, FRAME AND WHEELS

Item



Description

130

TRANSMISSION SHIELD KIT
(6100057 TRANSMISSION SHIELD KIT)

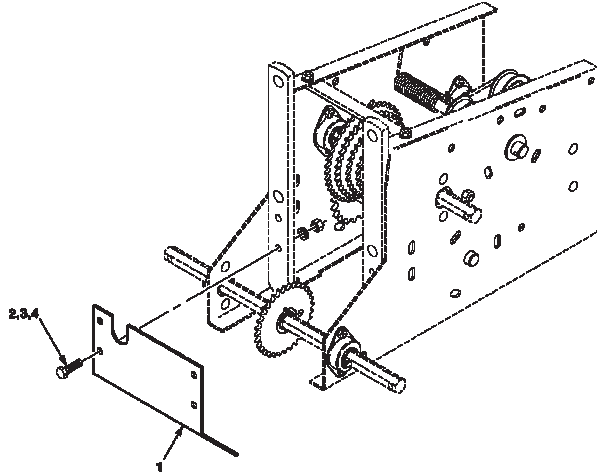
-

DR 70 22

.25

TRANSMISSION SHIELD KIT (WHOLEGOODS
ONLY)

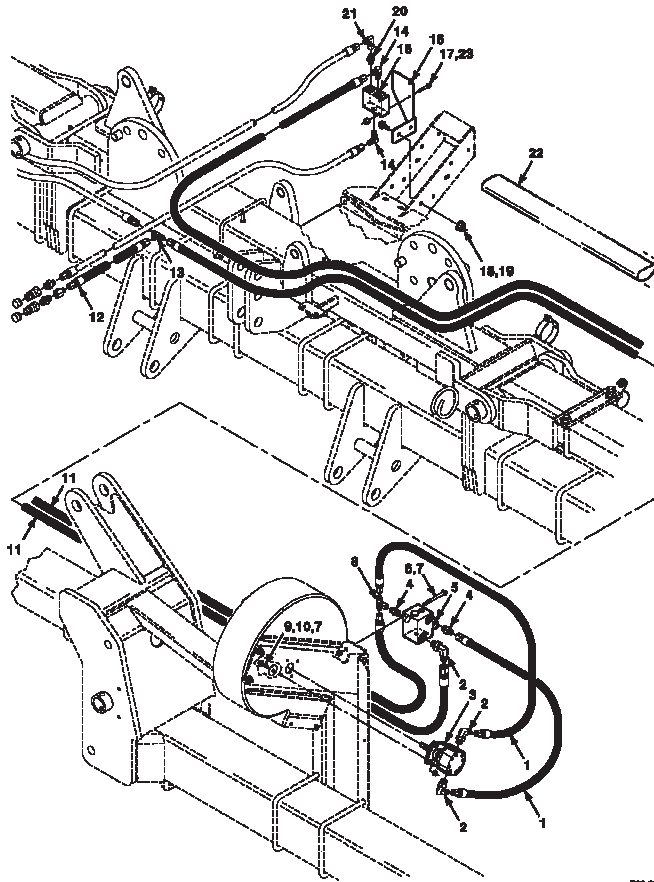
700906590-0



700 906 590-0

**8776 / 8792 STACK FOLD PLANTER
TONGUE, FRAME AND WHEELS**

DUAL BLOWER KIT-GROUND DRIVE (8776)
LEFT BLOWER HYD.
700957416 DUAL BLOWER KIT-GROUND DRIVE



700 957 416-1

Item



Description

140

1	HY 50 04	.50	HOSE ASSEMBLY-HYDRAULIC, 3/8 I.D. X 23 INCH
3	HY 65 01	.75	MOTOR ASSEMBLY-HYDRAULIC, BLOWER
5	HY 40 01	.75	VALVE ASSEMBLY-FLOW CONTROL
11	HY 50 04	.50	HOSE ASSEMBLY-HYDRAULIC, 3/8 I.D. X 181 INCH
12	HY 50 04	.50	HOSE ASSEMBLY-HYDRAULIC, 1/2 I.D. X 90 INCH
15	HY 40 01	.75	DIVIDER/COMBINER ASSEMBLY
16	HY 90 24	.50	ANGLE-MOUNT
22	HY 50 25	1.0	SLEEVE-NYLON

700957416-1

CLICK HERE TO **DOWNLOAD** THE COMPLETE MANUAL

- Thank you very much for reading the preview of the manual.
- You can download the complete manual from: www.heydownloads.com by clicking the link below



- Please note: If there is no response to CLICKING the link, please download this PDF first and then click on it.

CLICK HERE TO **DOWNLOAD** THE COMPLETE MANUAL