

**Screw for Roll 10, 11,
14 and 17
MPCC57222
17CC277
F441R Round baler**

TECHNICAL MANUAL

Screw for Roll 10, 11, 14 and 17

INCC401667E 16DEC19 (ANGLAIS)

CLICK HERE TO **DOWNLOAD** THE COMPLETE MANUAL

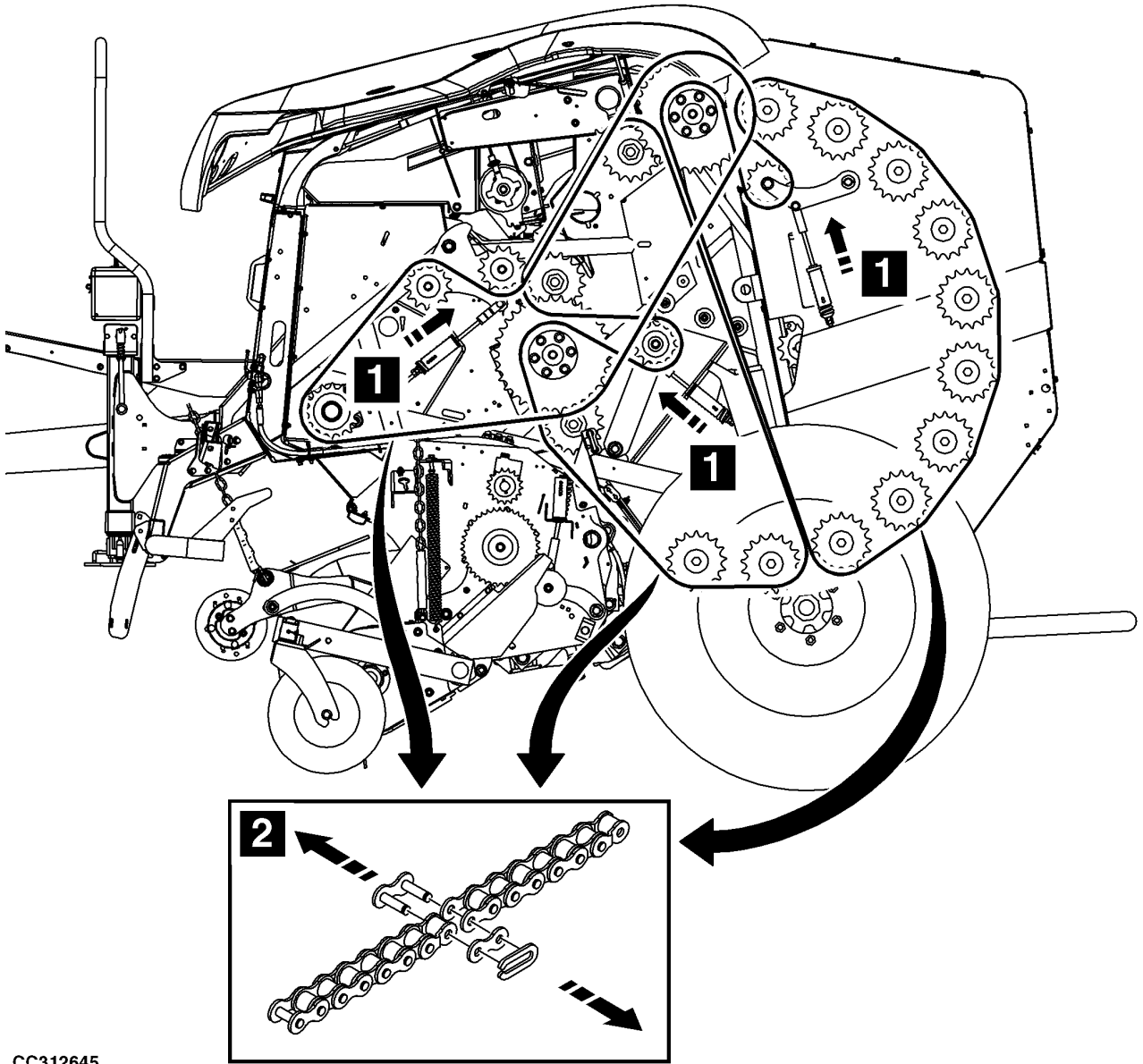
- Thank you very much for reading the preview of the manual.
- You can download the complete manual from: www.heydownloads.com by clicking the link below



- Please note: If there is no response to CLICKING the link, please download this PDF first and then click on it.

CLICK HERE TO **DOWNLOAD** THE COMPLETE MANUAL

3

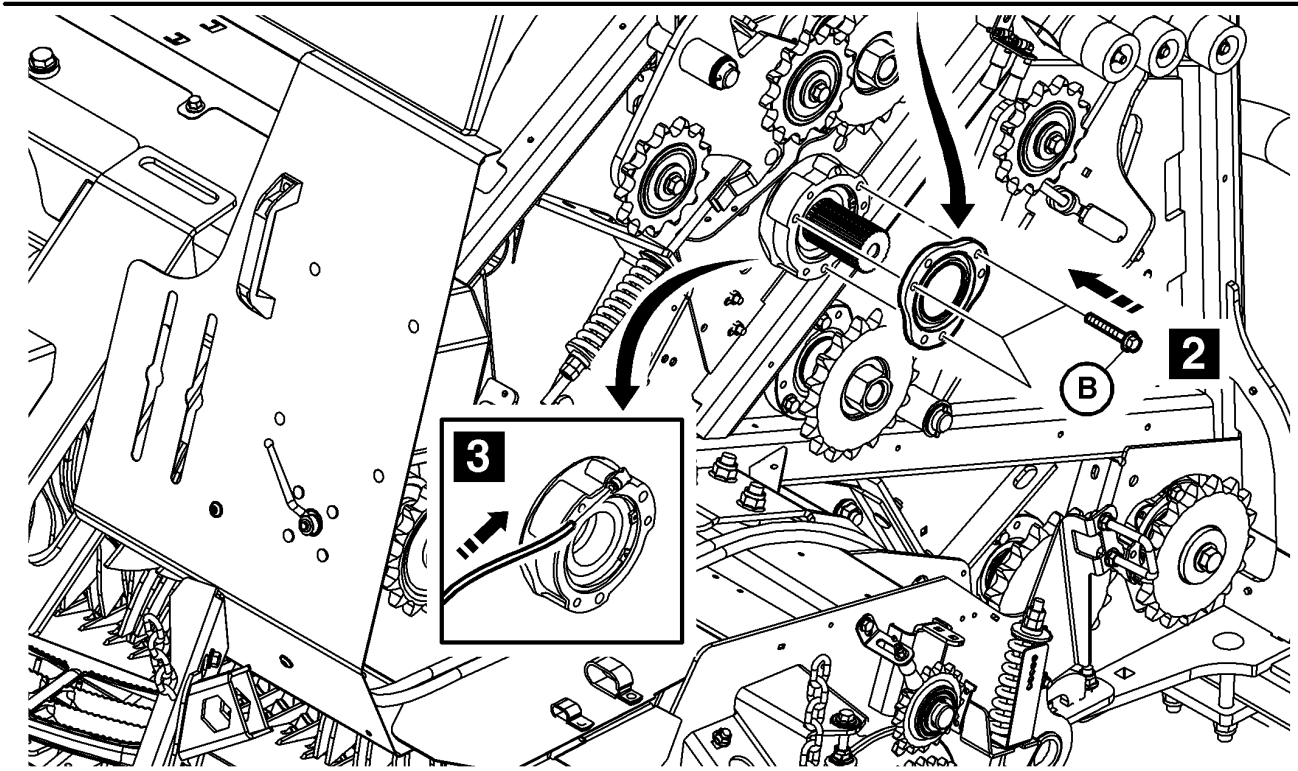
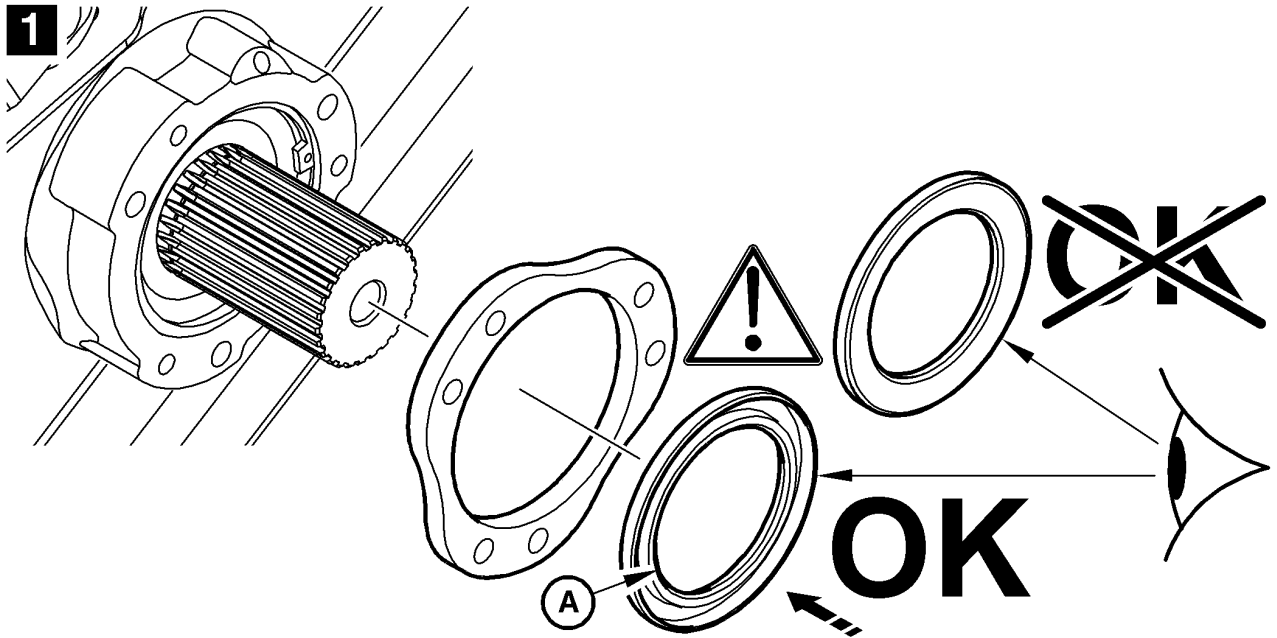


CC312645

OUC004,00023C5 -19-08MAY17-1/1

CC312645 —UN—15MAY17

10 - Roll 14 - 4



CC331221

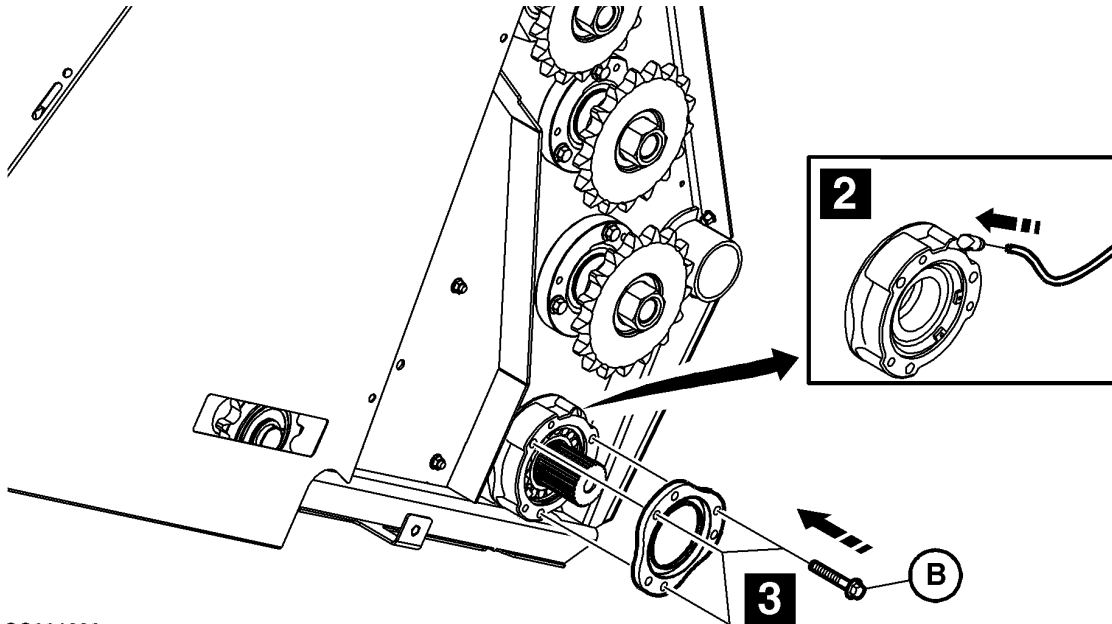
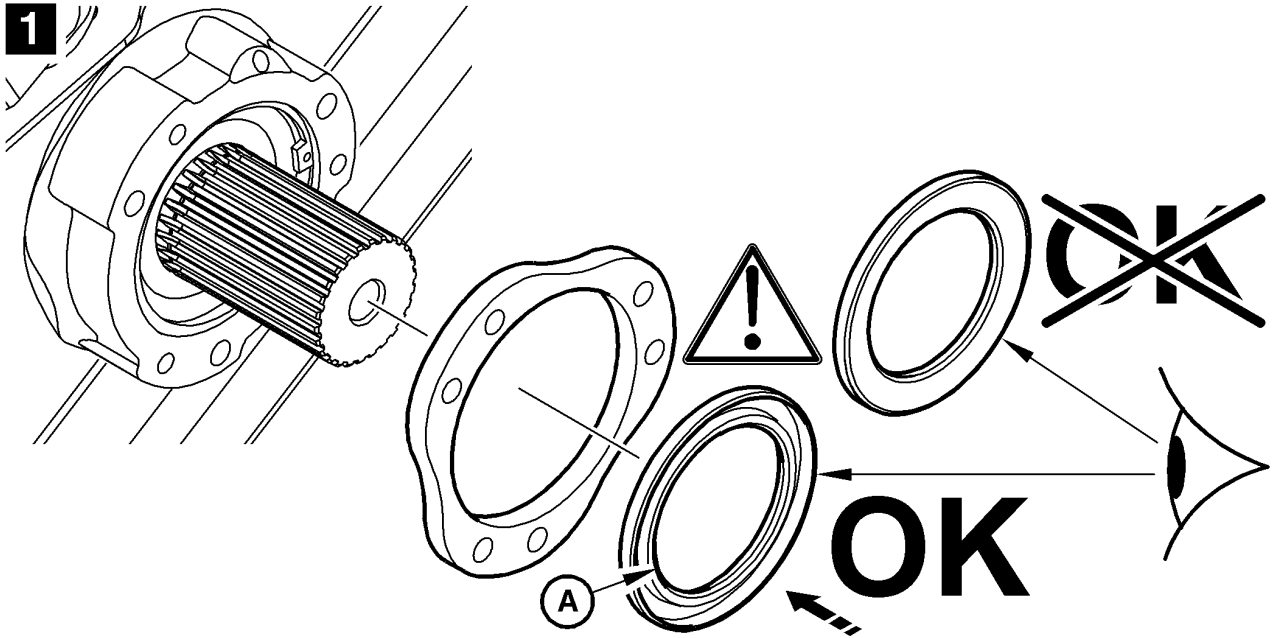
A— \varnothing 70 mm (2.75 in)

B—M10X75 - 64 N·m (49 lb·ft)

OUC004.000261E -19-01FEB18-1/1

CC331221 —UN—19DEC17

10 - Roll 10 - 4



CC331229

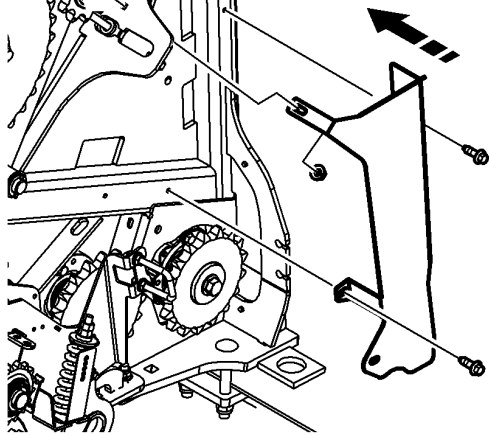
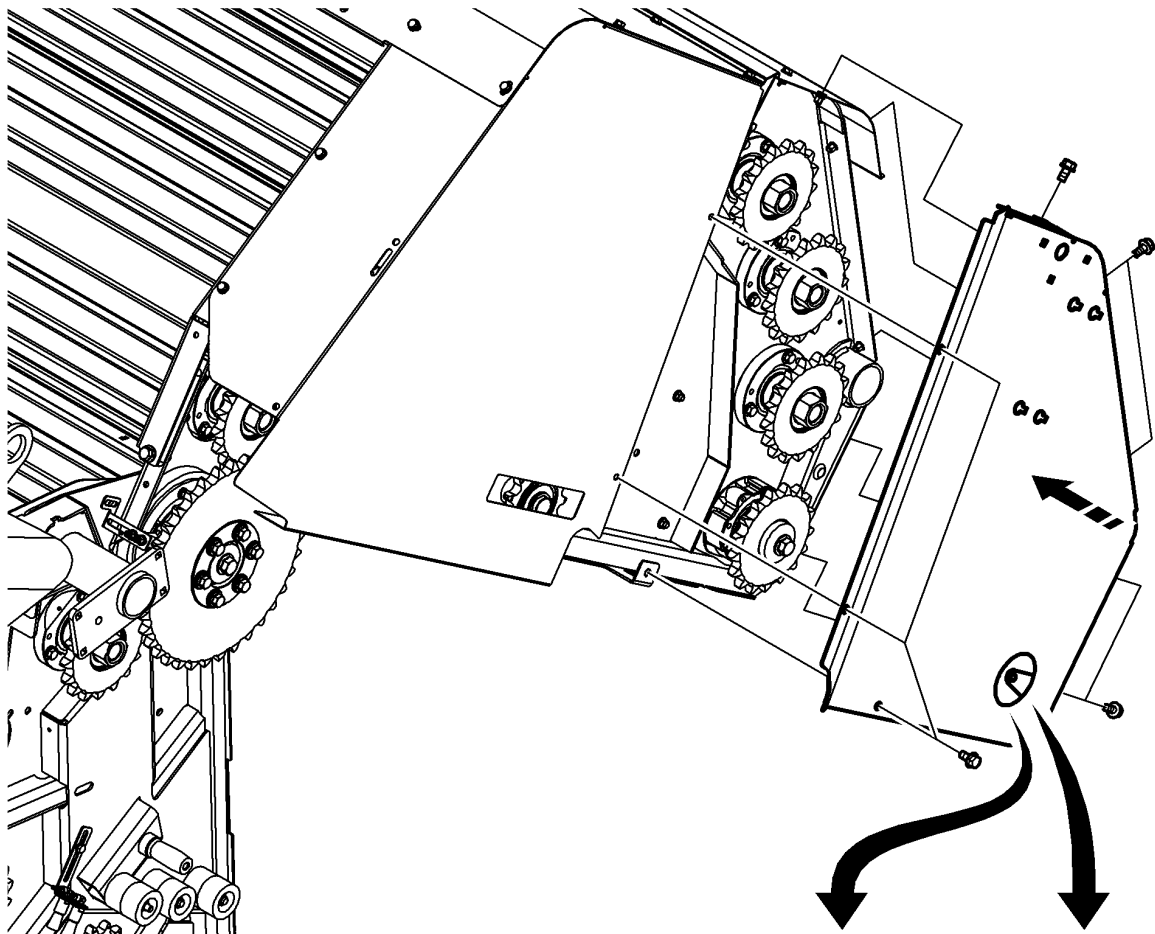
A— \varnothing 78 mm (3.07 in)

B—M10X75 - 64 N·m (49 lb·ft)

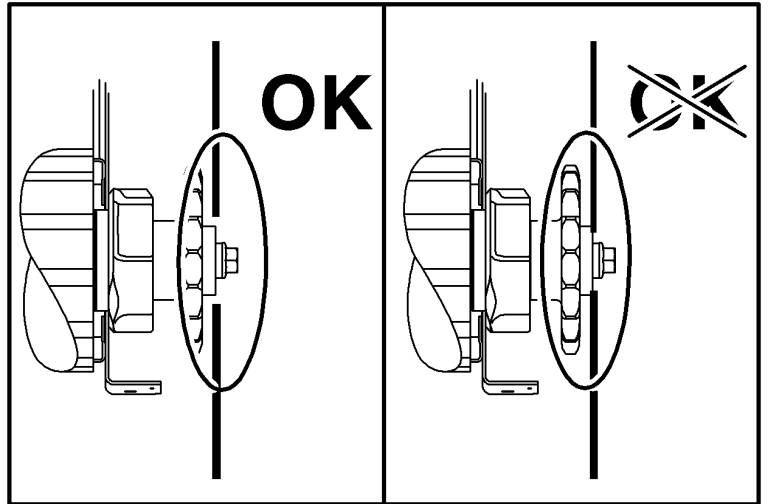
OUC004.0002628 -19-01FEB18-1/1

CC331229—UN—19DEC17

14



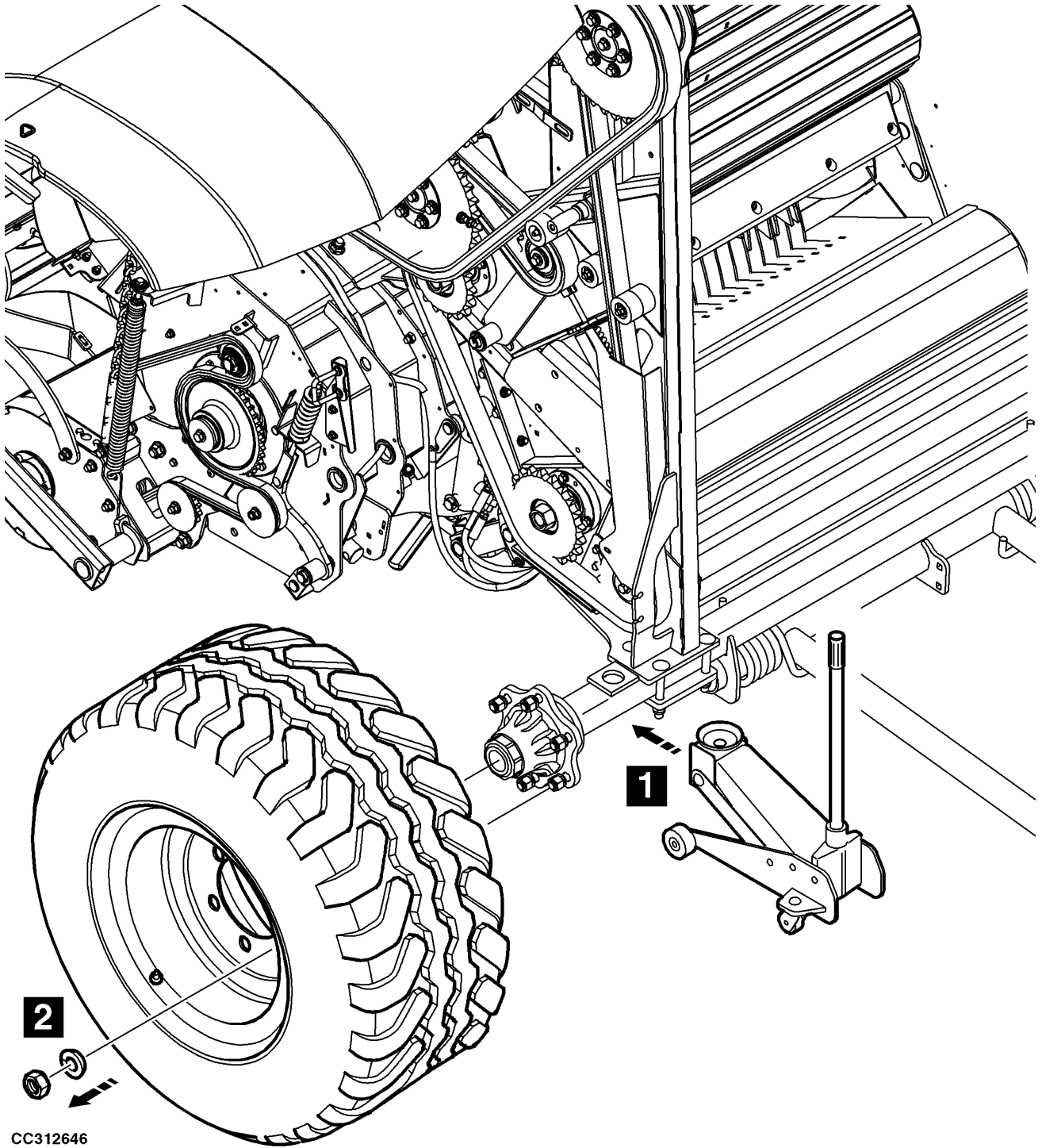
CC312668



CC312668 —UN—16MAY17

OUCC004.0002632 -19-01FEB18-1/1

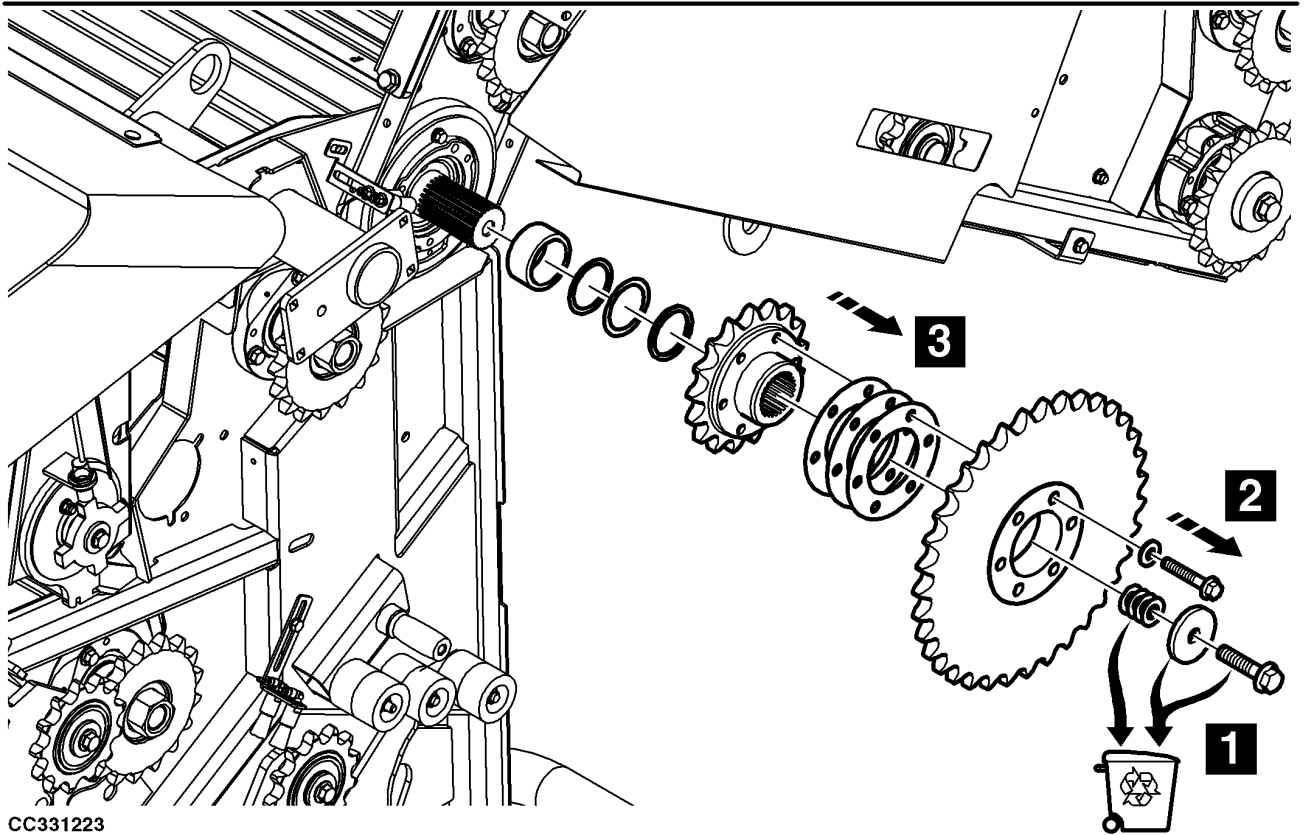
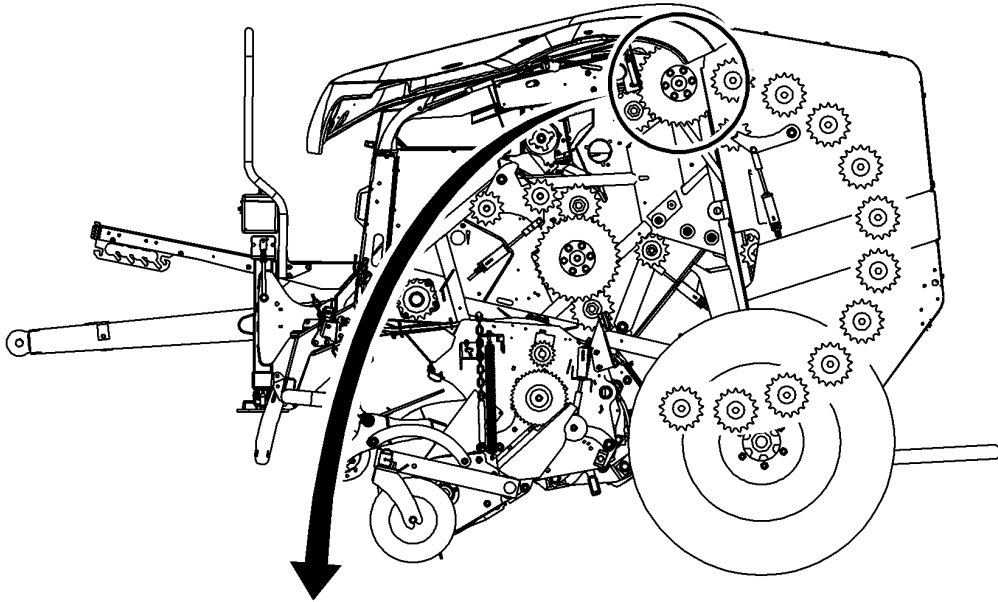
4



CC312646 —UN—15MAY17

OUC004,00023C6 -19-08MAY17-1/1

10 - Roll 17 - 1

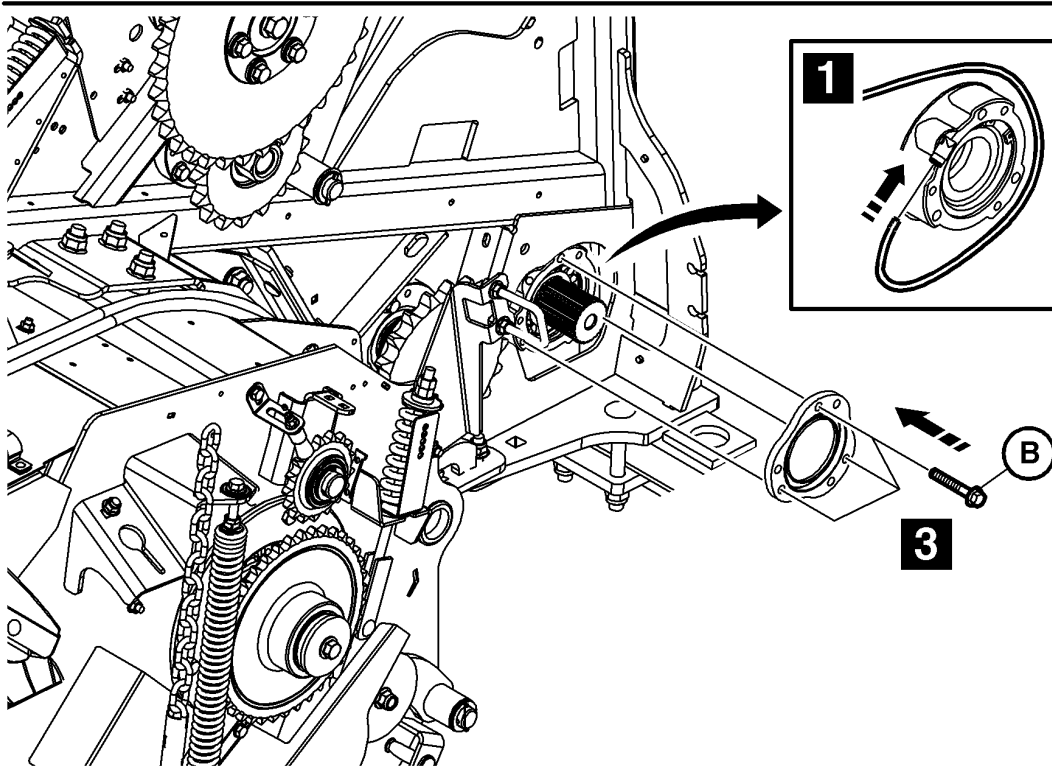
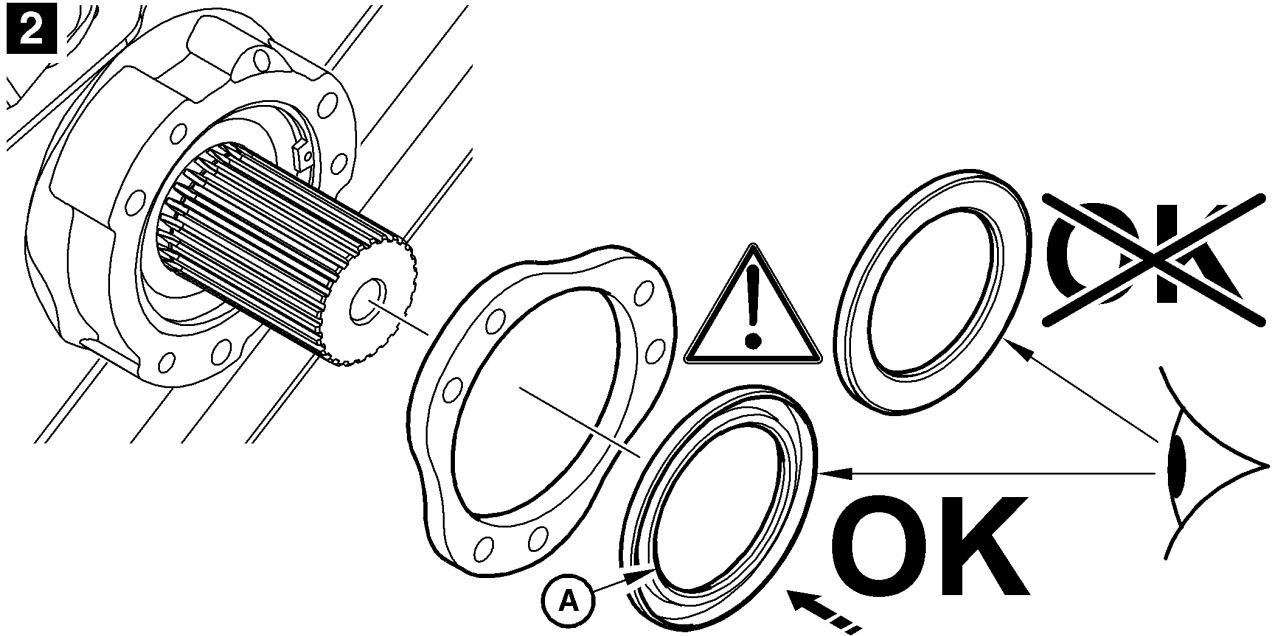


CC331223

CC331223 —UN—19DEC17

OUCC004.0002620 -19-01FEB18-1/1

10 - Roll 11 - 3



CC331233

A— $\varnothing 78$ mm (3.07 in)

B—M10X75 - 64 N·m (49 lb-ft)

OUC004.000264E -19-01FEB18-1/1

CC331233 —UN—20DEC17

CLICK HERE TO **DOWNLOAD** THE COMPLETE MANUAL

- Thank you very much for reading the preview of the manual.
- You can download the complete manual from: www.heydownloads.com by clicking the link below



- Please note: If there is no response to CLICKING the link, please download this PDF first and then click on it.

CLICK HERE TO **DOWNLOAD** THE COMPLETE MANUAL