

**544J UTILITY LOADER
(S.N. -611799)**



JOHN DEERE

PARTS CATALOG

**544J UTILITY LOADER
(S.N. -611799)**

PC9339 (Mar-07) English

Worldwide Construction and Forestry Division

Worldwide Edition
Litho in U.S.A. (Revised)
COPYRIGHT © 2007
DEERE & COMPANY
Moline, Illinois
All rights reserved

CLICK HERE TO **DOWNLOAD** THE COMPLETE MANUAL

- Thank you very much for reading the preview of the manual.
- You can download the complete manual from: www.heydownloads.com by clicking the link below



- Please note: If there is no response to CLICKING the link, please download this PDF first and then click on it.

CLICK HERE TO **DOWNLOAD** THE COMPLETE MANUAL

ALPHABETICAL INDEX - CONTINUED

	PAGE		PAGE
AXLE COOLER, HOSES AND FITTINGS (FACTORY INSTALLED AXLE COOLER)	0260-8	BLADE, WIPER.....	1810-28
AXLE COOLER, HOSES AND FITTINGS (FIELD INSTALLED AXLE COOLER)	0260-12	BLADE, WIPER (FRONT).....	1810-26
AXLE DISCONNECT.....	0260-14	BLOCK HEATER.....	0505-6
AXLE DISCONNECT LINE.....	0260-16	BLOCK, CYLINDER.....	0404-2
AXLE DISCONNECT VALVE COMPONENTS	3160-97	BLOCK, SHORT.....	0450-2
AXLE DRIVE SHAFTS.....	0325-2	BLOWER MOTOR AND SWITCH, HEATER.....	1830-8
AXLE HOUSING, FRONT.....	0210-18	BLOWER MOTOR AND SWITCH, HEATER AND A/C	1830-4
AXLE HOUSING, REAR.....	0210-20	BLOWER SWITCH, A/C AND HEATER.....	1674-11
AXLE INPUT DISCONNECT	0260-14	BOOM CYLINDER.....	3165-4
AXLE INPUT YOKE	0210-3	BOOM CYLINDER (FOR USE WITH POWERLLEL LINKAGE).....	3165-16
AXLE OIL CIRCULATION HOSES	0260-10	BOOM CYLINDER (FOR USE WITH TC)	3165-10
AXLE OIL CIRCULATION PUMP AND MOTOR	0260-6	BOOM CYLINDER HYDRAULIC FITTINGS	3165-2
AXLE OIL COOLER (FACTORY INSTALLED AXLE COOLER)	0260-8	BOOM CYLINDER HYDRAULICS (S.N. -594432) (FOR USE WITH Z-BAR LINKAGE).....	3160-48
AXLE OIL COOLER (FIELD INSTALLED AXLE COOLER)	0260-12	BOOM CYLINDER HYDRAULICS (S.N. 594433-) (FOR USE WITH Z-BAR LINKAGE).....	3160-50
AXLE OIL COOLER HYDRAULIC HOSES (FACTORY INSTALLED AXLE COOLER)	0260-8	BOOM CYLINDER LOCK	3140-24
AXLE OIL COOLER HYDRAULIC HOSES (FIELD INSTALLED AXLE COOLER)	0260-12	BOOM CYLINDER PIN, LOADER FRAME (POWERLLEL LINKAGE).....	3140-6
AXLE SHAFT, FRONT	0210-18	BOOM CYLINDER PIN, LOADER FRAME (TOOL CARRIER)	3140-4
AXLE SHAFT, REAR	0210-20	BOOM CYLINDER PIN, LOADER FRAME (Z-BAR LINKAGE).....	3140-2
AXLE STOP (12 DEGREE).....	0242-6	BOOM CYLINDER PINS.....	3165-2
AXLE STOP (6 DEGREE).....	0242-4	BOOM CYLINDER PINS AND FITTINGS, POWERLLEL LINKAGE	3165-14
AXLE, FRONT.....	0210-2	BOOM CYLINDER PINS AND FITTINGS, TOOL CARRIER.....	3165-8
AXLE, REAR.....	0210-2	BOOM CYLINDER ROD	3165-4
B			
BACKREST CUSHION	1821-2	BOOM CYLINDER ROD (FOR USE WITH POWERLLEL LINKAGE).....	3165-16
BACKUP ALARM.....	1810-36	BOOM CYLINDER ROD SEAL KIT	3165-4
BAFFLE SOUND, ABSORBER.....	1913-6	BOOM CYLINDER ROD SEAL KIT (FOR USE WITH POWERLLEL LINKAGE).....	3165-16
BAR, FRAME LOCK	1913-2	BOOM KICKOUT SENSOR (TOOL CARRIER)	3166-8
BARREL ASSEMBLY, COUPLER CYLINDER (POWERLLEL AND Z-BAR LINKAGE)	3104-14	BOOM KICKOUT/RETURN TO CARRY (TOOL CARRIER)	3166-8
BARREL ASSEMBLY, COUPLER CYLINDER (POWERLLEL AND Z-BAR LINKAGE)	3104-16	BOOM KICKOUT/RETURN TO CARRY, LOADER	3166-4
BARREL ASSEMBLY, HI-VIS COUPLER CYLINDER (POWERLLEL AND Z-BAR LINKAGE)	3104-18	BOOM KICKOUT/RETURN TO CARRY, LOADER (POWERLLEL LINKAGE).....	3166-12
BARREL, BOOM CYLINDER (FOR USE WITH TC).....	3165-10	BOOM LINKAGE, HIGH LIFT LOADER BOOM.....	3140-16
BARREL, TILT CYLINDER (FOR USE WITH TC).....	3165-12	BOOM LINKAGE, LOADER.....	3140-16
BASE SEAT	1810-18	BOOM LINKAGE, POWERLLEL	3140-20
BASE, OIL FILTER, ENGINE.....	0407-8	BOOM LINKAGE, TOOL CARRIER	3140-18
BASE, SEAT	1810-20	BOOM PIVOT PIN (POWERLLEL LINKAGE).....	3140-6
BATTERY (625 CCA)	1671-2	BOOM PIVOT PIN (Z-BAR LINKAGE).....	3140-2
BATTERY (950 CCA).....	1671-2	BOOM PIVOT PIN (TOOL CARRIER)	3140-4
BATTERY CABLES.....	1671-2	BOOM SECTION VALVE LOADER CONTROL VALVE (S.N. -594432)	3160-32
BATTERY COVERS.....	1913-4	BOOM SECTION VALVE LOADER CONTROL VALVE (S.N. 594433-).....	3160-34
BATTERY DISCONNECT	1671-2	BOOM TO COUPLER PIN DISCONNECT HOSES (POWERLLEL LINKAGE).....	3160-122
BATTERY DISCONNECT SWITCH.....	1671-2	BOOM TO COUPLER PIN DISCONNECT HOSES (Z-BAR LINKAGE).....	3160-116
BEARING, DRIVELINE/PARKING BRAKE	1060-12	BOOM TO COUPLER THIRD FUNCTION HYDRAULIC HOSES (Z-BAR LINKAGE).....	3163-4
BEARINGS, CONNECTING ROD	0403-2	BOOM TO COUPLER THIRD FUNCTION HYDRAULIC HOSES (POWERLLEL LINKAGE)	3163-6
BEARINGS, CRANKSHAFT	0401-2	BOOM, LOADER	3140-8
BELT TENSIONER (55 AMP)	1672-2	BOOM, POWERLLEL LINKAGE.....	3140-12
BELT TENSIONER (80 AMP).....	1672-6	BOOM, TOOL CARRIER	3140-10
BELT TENSIONER, ENGINE.....	0429-1		
BELT TENSIONER, HARSH ENVIRONMENT ALTERN ATOR (100 AMP).....	1672-10		
BELT, ALTERNATOR DRIVE (55 AMP)	1672-2		
BELT, ALTERNATOR DRIVE (80 AMP)	1672-6		
BELT, HARSH ENVIRONMENT ALTERNATOR (100 AMP)	1672-10		

ALPHABETICAL INDEX - CONTINUED

	PAGE		PAGE
LINKAGE, STEERING COLUMN.....	1810-48	LOADER CONTROL VALVE TO BUCKET CYLINDER	
LINKAGE, TOOL CARRIER BOOM.....	3140-18	HYDRAULICS(FOR USE WITH TC).....	3160-66
LINKAGE,ENGINE SPEED CONTROL.....	0515-2	LOADER FRAME	
LOAD CENTER COMPARTMENT.....	1674-6	(POWERLLEL LINKAGE).....	3140-6
LOAD CENTER WIRING HARNESS.....	1674-6	LOADER FRAME	
LOAD SENSE RELIEF VALVE		(Z-BAR LINKAGE).....	3140-2
LOADER CONTROL VALVE (S.N. -594432).....	3160-40	LOADER FRAME BOOM CYLINDER PIN	
LOADER ATTACHMENT COUPLER		(POWERLLEL LINKAGE).....	3140-6
(Z-BAR LINKAGE).....	3104-6	LOADER FRAME BOOM CYLINDER PIN	
LOADER ATTACHMENT COUPLER BUCKET.....	3102-4	(Z-BAR LINKAGE).....	3140-2
LOADER BOOM.....	3140-8	LOADER FRAME BUCKET CYLINDER PIN	
LOADER BOOM BUSHING.....	3140-8	(POWERLLEL LINKAGE).....	3140-6
LOADER BOOM KICKOUT SENSOR.....	3166-4	LOADER FRAME BUCKET CYLINDER PIN	
LOADER BOOM KICKOUT SENSOR		(Z-BAR LINKAGE).....	3140-2
(POWERLLEL LINKAGE).....	3166-12	LOADER FRAME WIRING HARNESS.....	1674-2
LOADER BOOM KICKOUT/RETURN TO CARRY.....	3166-4	LOADER FRAME WIRING HARNESS	
LOADER BOOM KICKOUT/RETURN TO CARRY		(POWERLLEL LINKAGE) (SN -603810).....	1674-4
(POWERLLEL LINKAGE).....	3166-12	LOADER FRAME WIRING HARNESS	
LOADER BOOM LINKAGE.....	3140-16	(POWERLLEL LINKAGE) (SN 603811-).....	1674-5A
LOADER BOOM LINKAGE		LOADER LINKAGE.....	3140-16
(POWERLLEL LINKAGE).....	3140-20	LOADER LINKAGE	
LOADER BOOM LINKAGE, HIGH LIFT.....	3140-16	(POWERLLEL LINKAGE).....	3140-20
LOADER BOOM PIN.....	3140-8	LOADER SHANKS.....	3102-8
LOADER BOOM POWERLLEL LINKAGE.....	3140-20	LOCK BAR, FRAME.....	1913-2
LOADER BUCKET (ATTACHMENT COUPLER).....	3102-4	LOCK MECHANISM, GUARD FORK.....	3103-6
LOADER BUCKET (HI-VIS COUPLER).....	3102-6	LOCK MECHANISM, PALLET FORK (HI-VIS).....	3103-4
LOADER BUCKET CUTTING EDGE.....	3102-2	LOCK, BOOM CYLINDER.....	3140-24
LOADER BUCKET CUTTING EDGE (JAGZ).....	3102-12	LOGGER RIM ASSEMBLY (ONE PIECE).....	0110-6
LOADER BUCKET GUARD.....	3102-2	LOUVERS, HEATING AND A/C.....	1810-8
LOADER BUCKET PINS.....	3102-2	LOUVERS, VENTILATION.....	1810-8
LOADER BUCKET TEETH.....	3102-8	LOWER STEERING COLUMN.....	1810-50
LOADER BUCKETS.....	3102-2	LUBRICATION LINES, DIFFERENTIAL SUPPORTS.....	0242-2
LOADER CONTROL VALVE (2-SPOOL)			
(S.N. -594432).....	3160-2		
LOADER CONTROL VALVE (2-SPOOL)			
(S.N. 594433-).....	3160-4		
LOADER CONTROL VALVE (2-SPOOL)			
TOOL CARRIER.....	3160-6		
LOADER CONTROL VALVE (3-SPOOL)			
(S.N. -594432).....	3160-8		
LOADER CONTROL VALVE (3-SPOOL)			
(S.N. 594433-).....	3160-10		
LOADER CONTROL VALVE (3-SPOOL)			
TOOL CARRIER.....	3160-12		
LOADER CONTROL VALVE (4-SPOOL)			
(S.N. -594432).....	3160-14		
LOADER CONTROL VALVE (4-SPOOL)			
(S.N. 594433-).....	3160-16		
LOADER CONTROL VALVE (4-SPOOL)			
TOOL CARRIER.....	3160-18		
LOADER CONTROL VALVE STUD ASSEMBLY			
(S.N. -594432).....	3160-20		
LOADER CONTROL VALVE STUD ASSEMBLY			
(2-SPOOL) (S.N. 594433-).....	3160-4		
LOADER CONTROL VALVE STUD ASSEMBLY			
(3-SPOOL) (S.N. 594433-).....	3160-10		
LOADER CONTROL VALVE STUD ASSEMBLY			
(4-SPOOL) (S.N. 594433-).....	3160-16		
LOADER CONTROL VALVE TIE BOLTS			
(2-SPOOL) (S.N. 594433-).....	3160-4		
LOADER CONTROL VALVE TIE BOLTS			
(3-SPOOL) (S.N. 594433-).....	3160-10		
LOADER CONTROL VALVE TIE BOLTS			
(4-SPOOL) (S.N. 594433-).....	3160-16		
LOADER CONTROL VALVE TO BUCKET CYLINDER			
HYDRAULICS (POWERLLEL LINKAGE).....	3160-60		

M

MAGNETIC PICK-UP SENSOR, ENGINE.....	0417-2
MAIN BEARING CAP.....	0404-2
MAIN BEARINGS.....	0401-2
MAIN COUNTERWEIGHT.....	1749-2
MAIN HYDRAULIC LINES.....	2160-12
MAIN WIRING HARNESS.....	1674-2
MAIN WIRING HARNESS	
(POWERLLEL LINKAGE) (SN -603810).....	1674-4
MAIN WIRING HARNESS	
(POWERLLEL LINKAGE) (SN 603811-).....	1674-5A
MANIFOLD, AIR INTAKE.....	0414-2
MANIFOLD, EXHAUST.....	0410-2
MANIFOLD, TRANSMISSION CONTROL VALVE.....	0350-16
MAT, ANTI-SKID, COUNTERWEIGHT.....	1749-2
MIRROR, OUTSIDE.....	1810-38
MIRROR, REAR VIEW, INSIDE.....	1810-39A
MODULE, HVAC.....	1830-4
MODULE, HVAC.....	1830-8
MONITOR CONSOLE, CAB.....	1810-8
MONITOR CONSOLE, CANOPY.....	1810-10
MONITOR HOUSING.....	1810-8
MONITOR HOUSING, CANOPY.....	1810-10
MOTOR AND SWITCH, HEATER.....	1830-8
MOTOR AND SWITCH, HEATER AND A/C BLOWER.....	1830-4
MOTOR, REVERSE FAN DRIVE.....	0510-8
MOTOR, STARTING.....	0422-2
MOTOR,FAN DRIVE.....	0510-6
MOUNTING BRACKETS, ALTERNATOR (55 AMP).....	1672-2
MOUNTING BRACKETS, ALTERNATOR (80 AMP).....	1672-6
MOUNTING BRACKETS, ENGINE.....	0540-2

0110-3

WHEELS 01

POWERED WHEELS, TIRES AND FASTENINGS 0110

WHEEL (25 X 17)
ROUE (25 X 17)
RUEDA (25 X 17)

KEY	PART NO.	PART NAME	QTY.	SERIAL NO.	REMARKS
1	AT304418	WHEEL	1	-595865	(635 MM X 356 MM) (25 X 17 RIM) (20.5 INCH WIDE TIRE)
2	AT317299 T59933	WHEEL O-RING	1 1	595866-	
3	T27532	WHEEL RING	1	-595865	(635MM X 432MM)(25 X 17 RIM) (20.5 INCH WIDE TIRE)
4	T212453 T27194	WHEEL RING WHEEL RING	1 1	595866- -595865	
5	T212452	WHEEL RING	1	595866-	
6	T151797	WASHER	14		
7	19M8224	CAP SCREW	14		M20 X 60
8	15H710	FITTING	1		38.100 MM
8	AT25226	TIRE VALVE STEM	1		

0210-5

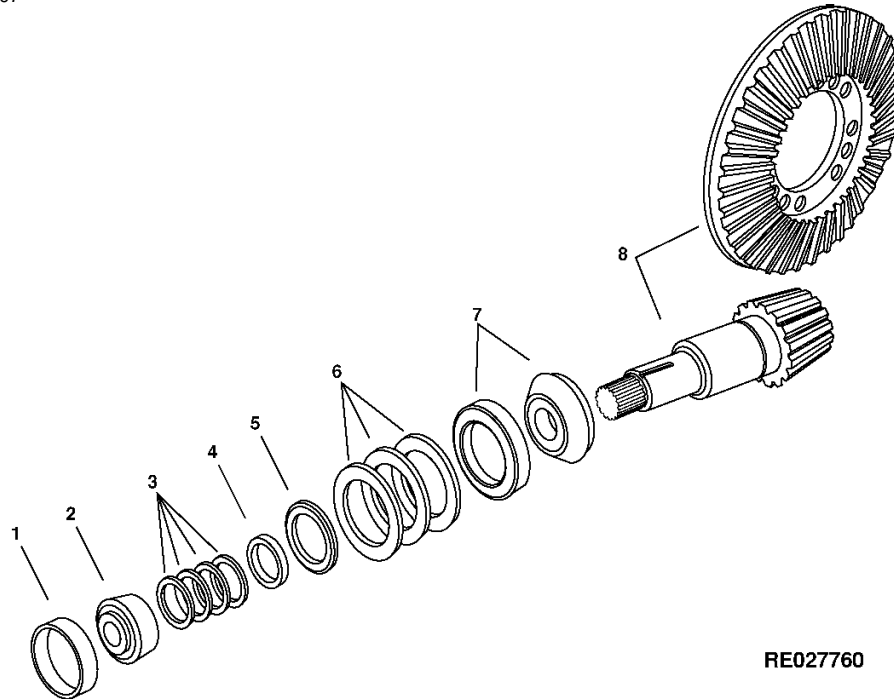
AXLES, DIFFERENTIALS AND SUSPENSION SYSTEMS 02

DIFFERENTIAL OR BEVEL DRIVE 0210

REAR SPIRAL BEVEL INPUT PINION AND RING GEAR SET (RE68059)
 JEU DE COURONNES ET DE PIGNONS D'ENTREE CONIQUES HELICOIDaux ARRIERE (RE68059)
 JUEGO DE CORONA DENTADA Y PINON DE ENTRADA DE DIENTES HELICOIDALES TRASEROS (RE68059)

RE027760

-UN-03APR97



RE027760

KEY	PART NO.	PART NAME	QTY.	SERIAL NO.	REMARKS
1	JD8240	BEARING CUP	1		
2	JD8974	BEARING CONE	1		
3	R45197	SHIM	3		0.178MM(0.007")
	R45198	SHIM	2		0.254MM(0.010")
	R45199	SHIM	3		0.305MM(0.012")
	R45200	SHIM	3		0.381MM(0.015")
4	R163333	SPACER	1		
5	R163180	SHIELD	1		
6	R163181	SHIM	3		0.076MM(0.003")
	R163182	SHIM	3		0.127MM(0.0005")
	R163183	SHIM	3		0.254MM(0.010")
7	RE163170	BEARING	1		
8	RE163175	RING GEAR AND PINION	1		R.H. ASSY, (MARKED R132447 AND R163179)

0210-15

AXLES, DIFFERENTIALS AND SUSPENSION SYSTEMS 02

DIFFERENTIAL OR BEVEL DRIVE 0210

FOUR PINION HYD ACTUATED DIFFERENTIAL (RE68084)
DIFFERENTIEL HYDRAULIQUE QUATRE PIGNONS (RE68084)
DIFERENCIAL ACCIONADO HIDRAULICAMENTE POR CUATRO PINONES (RE68084)

KEY	PART NO.	PART NAME	QTY.	AXLE SERIAL NO.	REMARKS
1	R133113	SHIM	AR		0.08 MM (.003")
	R133114	SHIM	AR		0.13 MM (.005")
	R133115	SHIM	AR		0.25 MM (.009")
2	R134183	CAP SCREW	16		
3	RE61191	TAPERED ROLLER BEARING	1		(SUB FOR R121805)
4	R132683	COVER	1		
5	R57254	NEEDLE ROLLER	3		
6	R132827	PINION SHAFT	1		
7	R132828	PINION SHAFT	2		
8	R59460	THRUST WASHER	4		
9	R132836	HUB	1		
10	R134726	PINION	4		
11	R132825	BEVEL GEAR	1		
12	R132826	BEVEL GEAR	1		
13	R99466	THRUST WASHER	2		
14	R132737	HOUSING	1		
15	R70113	THRUST WASHER	4		
16	R70115	NEEDLE ROLLER	104		
17	R70112	THRUST WASHER	4		
18	R132575	CLUTCH PLATE	6		
19	RE67715	DISK	7		
20	R120236	SPRING	3		
21	R132576	CLUTCH PLATE	1		
22	RE68725	NEEDLE BEARING	1		
23	R132520	THRUST WASHER	1		
24	RE166220	PISTON	1		(SUB FOR R132679)
25	R109082	NEEDLE ROLLER	1		
26	YZ120622	O-RING	1		(SUB FOR R134270)
27	YZ120623	O-RING	1		(SUB FOR R134269)
28	R132832	WASHER	1		
29	JD9115	BEARING CUP	1		
30	JD9050	BEARING CONE	1		
31	R133110	SHIM	AR		0.076MM(0.003")
	R133111	SHIM	AR		0.127MM(0.005")
	R133112	SHIM	AR		0.254MM(0.010")

THIS PARTS LISTING IS CONTINUED

0210-25

AXLES, DIFFERENTIALS AND SUSPENSION SYSTEMS 02

DIFFERENTIAL OR BEVEL DRIVE 0210

AXLE CENTER SERVICE KITS (RE166422, RE166424, RE166425, RE166427)
KITS D'ENTRETIEN DE CENTRE D'ESSIEU (RE166422, RE166424, RE166425, RE166427)
JUEGOS DE SERVICIO CENTRAL DE PUENTE (RE166422, RE166424, RE166425, RE166427)

KEY	PART NO.	PART NAME	QTY.	AXLE SERIAL NO.	REMARKS
1	RE163874	CASE	1		DIFFERENTIAL LOCK (REAR)
	RE163875	CASE	1		DIFFERENTIAL LOCK (FRONT)
	RE163878	CASE	1		STANDARD, REAR
	YZ120191	CASE	1		STANDARD, FRONT
2	R163180	SHIELD	1		
3	R163333	SPACER	1		
4	R45197	SHIM	3		0.178MM (0.007")
5	R45198	SHIM	3		0.254MM (0.010")
6	R45199	SHIM	3		0.305MM (0.012")
7	R45200	SHIM	3		0.381MM (0.015")
8	JD8240	BEARING CUP	1		
9	JD8974	BEARING CONE	1		
10	RE45312	SEAL KIT	1		
	AT314206	SEAL	1		(FOR HARSH ENVIRONMENT)
	R89581	SEAL	1		
12	R163182	SHIM	3		0.127MM (0.005")
13	R163183	SHIM	3		0.254MM (0.010")
14	R163181	SHIM	3		0.076MM (0.003")
15	RE163170	BEARING	1		
16	RE163175	RING GEAR AND PINION	1		REAR
	RE163174	RING GEAR AND PINION	1		FRONT
17	R159757	TEE FITTING	1		
18	F3171R	O-RING	1		
19	R160699	ADAPTER FITTING	1		
20	RE164422	CASE	1		DIFFERENTIAL LOCK (REAR)
	RE164424	CASE	1		DIFFERENTIAL LOCK (FRONT)
	RE164425	CASE	1		STANDARD (REAR)
	RE164427	CASE	1		STANDARD (FRONT)

0260-3

AXLES, DIFFERENTIALS AND SUSPENSION SYSTEMS 02

AXLES, DIFFERENTIALS AND SUSPENSION SYSTEM HYDRAULICS...
FRONT DIFFERENTIAL LOCK LINES
CONDUITES DE BLOCAGE DE DIFFERENTIEL AVANT
LINEAS DE BLOQUEO DEL DIFERENCIAL DELANTERO

KEY	PART NO.	PART NAME	QTY.	SERIAL NO.	REMARKS
1	38H5002	ADAPTER FITTING	1		
2	51M7041	O-RING	1		
3	38H1004	ELBOW FITTING	1		
4	R26448	O-RING	1		
5	T77613	O-RING	3		
6	38H1094	ELBOW FITTING	1		
7	AT304143	HYDRAULIC HOSE - FABRICATE	1		

0260-13

AXLES, DIFFERENTIALS AND SUSPENSION SYSTEMS 02

AXLES, DIFFERENTIALS AND SUSPENSION SYSTEM HYDRAULICS...
FIELD INSTALLED AXLE COOLERS AND HOSES
REFROIDISSEURS ET FLEXIBLES D'ESSIEU INSTALLES EN USINE
MANGUERAS Y ENFRIADORES DEL EJE INSTALADOS EN EL CAMPO

KEY	PART NO.	PART NAME	QTY.	SERIAL NO.	REMARKS
1	14M7296	FLANGE NUT	8		M10
2	19M7786	SCREW	8		M10 X 30
3	19M7835	SCREW	4		M10 X 35
4	24M7296	WASHER	20		10.500 X 30 X 2.500 MM
5	38H1010	ELBOW FITTING	4		
6	R26375	O-RING	4		
7	T77613	O-RING	4		
8	AT304909	HYDRAULIC HOSE - FABRICATE	1		11/16" X 176-3/4" X 11/16"
9	AT304910	HYDRAULIC HOSE - FABRICATE	1		11/16" X 128-1/2" X 11/16"
10	AT304912	HYDRAULIC HOSE - FABRICATE	1		11/16" X 168-3/4" X 11/16"
11	AT305165	BRACKET	2		
12	AT306890	HYDRAULIC HOSE - FABRICATE	1		
13	AT306489	BRACKET	1		
14	AT306496	BRACKET	1		
15	AT228457	OIL COOLER	1		
16	H77698	TIE BAND	4		
17	T162238	GROMMET	22		
18	T201546	GROMMET	12		
19	AT228457	OIL COOLER	1		
20	T77613	O-RING	1		
21	AT228285	FIELD INSTALLATION KIT	1		(WHOLEGOODS)

0342-3

TRANSMISSION 03

TRANSMISSION MOUNTING PARTS 0342

**TRANSMISSION MOUNTING BRACKETS
SUPPORTS DE MONTAGE DE TRANSMISSION
ESCUADRAS DE MONTAJE DE TRANSMISION**

KEY	PART NO.	PART NAME	QTY.	SERIAL NO.	REMARKS
1	T42977	WASHER	3		23.012 X 88.900 X 6 MM
2	19M7883	SCREW	2		M20 X 120
3	19M7968	CAP SCREW	1		M20 X 130
4	24M7241	WASHER	4		17 X 34 X 4 MM
5	19M7488	CAP SCREW	4		M16 X 40
6	AT209221	SUPPORT	1		
7	AT165288	ISOLATOR	3		
8	14M7277	NUT	3		M20
9	AT209997	SUPPORT	1		
10	AT209996	SUPPORT	1		
11	24M7242	WASHER	7		21.400 X 42 X 5 MM
12	19M7487	CAP SCREW	4		M20 X 50

0350-11

TRANSMISSION 03

GEARS, SHAFTS, AND POWER SHIFT CLUTCHES 0350
TRANSMISSION SPEED SENSOR
CAPTEUR DE VITESSE DE TRANSMISSION
SENSOR DE VELOCIDAD DE LA TRANSMISION

KEY	PART NO.	PART NAME	QTY.	TRANSMISSION SERIAL NO.	REMARKS
1	AT210773	SENSOR	3		
2	19M7932	CAP SCREW	1		M8 X 16
3	T179510	SENSOR	1		
4	T176796	O-RING	1		
5	T175750	PLUG	1		
6	R104558	O-RING	3		
7	R73599	O-RING	1		
8	T174236	O-RING	1		
9	T173217	FITTING PLUG	1		

0350-21

TRANSMISSION 03

GEARS, SHAFTS, AND POWER SHIFT CLUTCHES 0350
GEARBOX HOUSING OUTPUT SHAFT
ARBRE SORTIE CARTER BOITE ENGRENAJES
EJE DE SALIDA DE LA CAJA DE ENGRANAJES

KEY	PART NO.	PART NAME	QTY.	SERIAL NO.	REMARKS
1	19M7407	CAP SCREW	4		M8 X 25
2	T116460	SPACER	2		
3	T173510	YOKE WITH TUBE	2		
	T225912	YOKE	2		(FOR HARSH ENVIRONMENT)
4	T141386	SEAL	2		
5	T171126	BEARING	1		IMPORTANT-HIGH TOLERANCE BEARING REQUIRED IN THIS LOCATION. DO NOT SUBSTITUTE STANDARD BEARING.
6	T171181	PINION SHAFT	1		
7	T171126	BEARING	1		IMPORTANT-HIGH TOLERANCE BEARING REQUIRED IN THIS LOCATION. DO NOT SUBSTITUTE STANDARD BEARING.
8	T116481	WASHER	2		TAB
9	T123707	O-RING	2		

0350-31

TRANSMISSION 03

GEARS, SHAFTS, AND POWER SHIFT CLUTCHES 0350
CLUTCH ASSEMBLY (FIRST GEAR)
EMBRAYAGE (PREMIERE VITESSE)
CONJUNTO DEL EMBRAGUE (PRIMERA MARCHA)

KEY	PART NO.	PART NAME	QTY.	TRANSMISSION SERIAL NO.	REMARKS
1	AT331639	CLUTCH	1		(SUB FOR AT223299)
2	T172104	DISK	2		
3	T172129	THRUST BEARING	2		
4	T172130	THRUST WASHER	2		
5	T195260	GEAR	1		
6	T179594	NEEDLE BEARING	1		
7	T173036	SNAP RING	1		
8	T171156	BEARING	2		IMPORTANT-HIGH TOLERANCE BEARING REQUIRED IN THIS LOCATION. USE ONLY JOHN DEERE PARTS SOURCED BEARINGS.
9	T172115	PISTON RING	2		
10	T172816	UNIVERSAL DRIVESHAFT	1		
11	T171153	STUD	1		

0360-3

TRANSMISSION 03

TRANSMISSION HYDRAULICS 0360

**TRANSMISSION OIL FILL
REPLISSAGE D'HUILE DE TRANSMISSION
LLENADO DE ACEITE DE LA TRANSMISION**

KEY	PART NO.	PART NAME	QTY.	SERIAL NO.	REMARKS
1	19M7864	SCREW	2		
2	19M7865	SCREW	2	-XXXXXX	M8 X 16
	19M7867	SCREW	2	XXXXXX-	M8 X 25
3	AR21839	CLAMP	2		
4	AR21836	CLAMP	2		
5	AT227279	LEVEL GAUGE	1		
6	TUBE	1	-XXXXXX	(ORDER AT324881, R105415 AND (2) 19M7867) (AT315021 OR AT227651 NLA)
	AT324881	TUBE	1	XXXXXX-	
8	14M7426	LOCK NUT	1		
9	19M7162	CAP SCREW	1		
10	AT227248	FILLER NECK	1		
11	T196464	STRAP	1		
12	RE500250	FILLER CAP	1		
13	T116604	GASKET	1	-XXXXXX	
	R105415	O-RING	1	XXXXXX-	NOT ILLUSTRATED CORRECTLY
14	T196587	TEE FITTING	1		
15	T197505	HOSE	1		
16	M87571	BULK HOSE	1		

0404-3

ENGINE 04

CYLINDER BLOCK 0404

**CYLINDER BLOCK, MAIN BEARING CAPS AND OIL PRESSURE VALVE
BLOC-CYLINDRES, CHAPEAUX DE PALIERS ET SOUPAPE DE PRESSION D'UILE
BLOQUE DE CILINDROS, TAPAS DE COJINETE DE BANCADA Y VALVULA DE PRESION DE ACEITE**

KEY	PART NO.	PART NAME	QTY.	ENGINE SERIAL NO.	REMARKS
1	R48685	DOWEL PIN	4		
2	T18891	PLUG	2		
3	CYLINDER BLOCK	1		(ORDER RE518527)
4	AT13740	DRAIN VALVE	1		1/4"
5	R104592	PIPE PLUG	7		
6	R119874	BUSHING	1		CAMSHAFT
7	R132518	PLATE	1		
8	19M8999	SCREW	2		M8 X 25
9	R121043	VALVE	1		ENGINE OIL BY-PASS
10	R111137	SPRING	1		
12	R116466	BUSHING	1		
13	R26650	DOWEL PIN	2		
14	15H623	PIPE PLUG	1		3/8"
15	R115390	BUSHING	1		
16	R75892	O-RING	1		
17	R114241	BEARING CAP	6		MAIN BEARING
18	T20168	WASHER	14		
19	T23474	CAP SCREW	14		
20	R132186	BEARING CAP	1		MAIN THRUST BEARING
21	R131182	ORIFICE	6		
22	RE508185	FITTING	2		(WITHOUT CAB HEAT)
	R123616	PLUG	2		(WITH CAB HEAT)
23	U13639	O-RING	2		
24	PM38655	SEALANT	1		(SUB FOR T43514) (PLASTIC GASKET)
25	RE57836	PIPE PLUG	AR		1/2", (SUB FOR 15H624)
26	RE505501	BLEED VALVE	1		(OIL PRESSURE REGULATING)

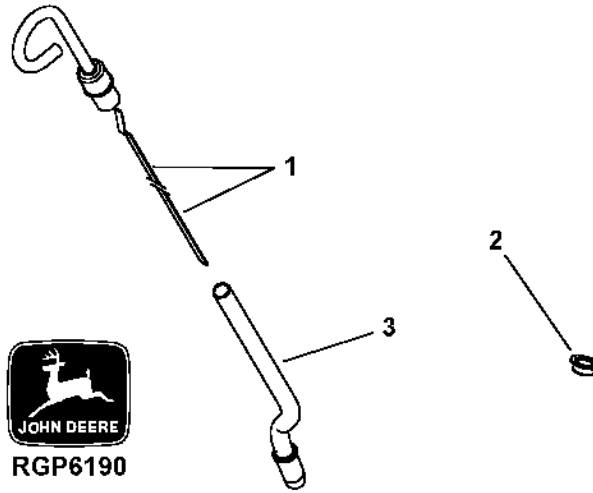
0407-7

ENGINE 04

ENGINE OILING SYSTEM 0407

ENGINE OIL DIPSTICK
JAUGE A HUILE MOTEUR
ASPILLA PARA MEDIR EL NIVEL DE ACEITE DEL MOTOR

RGP6190 -UN-17MAR00



KEY	PART NO.	PART NAME	QTY.	ENGINE SERIAL NO.	REMARKS
1	RE69243	DIPSTICK	1		
2	R502725	PLUG	1		
3	R502604	DIPSTICK TUBE	1		

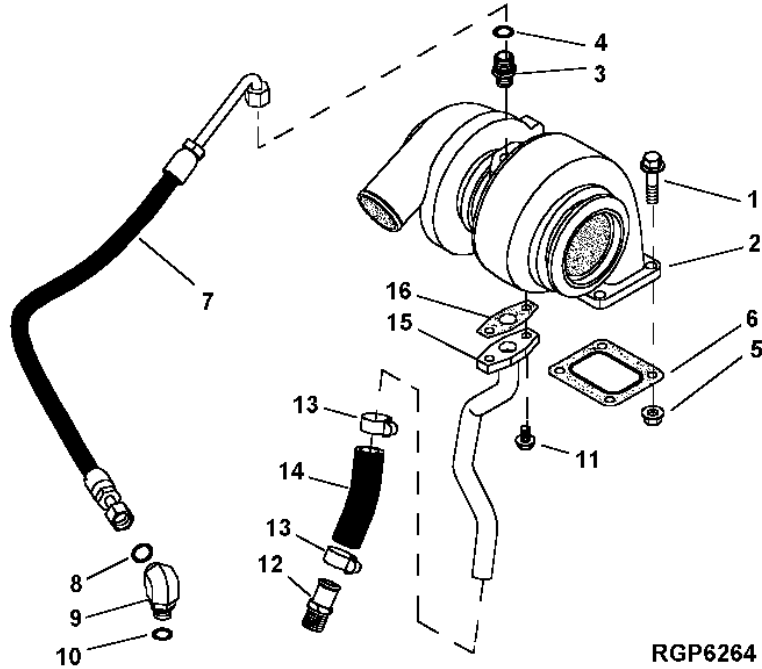
0416-1

ENGINE 04

TURBOCHARGER 0416

**TURBOCHARGER
TURBOCOMPRESSEUR
TURBOCARGADOR**

RGP6264 -UN-29JAN02



RGP6264

KEY	PART NO.	PART NAME	QTY.	ENGINE SERIAL NO.	REMARKS
1	19M8162	SCREW	4		
2	RE521561	TURBOCHARGER	1		(BORG-WARNER) (MARKED RE521560)
3	M87733	ADAPTER FITTING	1		
4	R63548	O-RING	1		
5	14M7296	FLANGE NUT	4		M10
6	R123572	GASKET	1		
7	RE503211	HYDRAULIC HOSE	1		
8	T77613	O-RING	1		
9	38H5035	ELBOW FITTING	1		
10	51M7042	O-RING	2		
11	19M7866	SCREW	2		M8 X 20
12	RE54885	HOSE FITTING	1		
13	RE65978	CLAMP	2		
14	R120013	HOSE	1		(CUT TO LENGTH)
15	RE68234	OIL LINE	1		
16	R123570	GASKET	1		

0420-3

ENGINE 04

FUEL FILTER 0420

**FUEL FILTER AND WATER SEPARATOR
 FILTRE A CARBURANT ET SEPARATEUR D'EAU
 SEPARADOR DE AGUA Y FILTRO DE COMBUSTIBLE**

KEY	PART NO.	PART NAME	QTY.	ENGINE SERIAL NO.	REMARKS
1	19M8328	SCREW	2		M10 X 25
2	19M8578	SCREW	2		M10 X 40
3	24M7096	WASHER	4		10.500 X 18 X 1.600 MM
4	RE508847	FILTER	1		(INCLUDES R113562, R113563, R113565 AND RE526834)
5	51M7040	O-RING	1		9.300 X 2.200 MM
6	RE46686	FITTING PLUG	4		M12 X 1.5
7	R113562	O-RING	2		
8	R113563	DRAIN PLUG	2		
9	RE509036	FUEL FILTER	1		30 MICRON PRE-FILTER (PRIMARY), 6.0" (152.4 MM) ELEMENT LENGTH, (SUB FOR RE517180, THIS APPLICATION) (ALSO ORDER R113565)
10	RE51650	SEDIMENT BOWL	1		(USE WITH RE517180 OR RE509036)
11	R113565	O-RING	2		
12	RE60029	ADAPTER FITTING	2		M12X1.5 X 9/16"-24UNF
13	RE509032	FILTER ELEMENT	1		2 MICRON FINAL, 6.0" (152.4 MM) ELEMENT LENGTH, (ALSO ORDER R113565)
14	RE509794	FILTER HEAD	1		(INCLUDES R113562, R113563, R113565 AND RE526834)
15	RE526834	SEAL KIT	1		(D) (SUB FOR RE51649)
16	RE60854	DRAIN VALVE	1		(A)
17	RE516553	SEAL KIT	1		(B)
	RE516512	O-RING KIT	1		(C) (PKG 10)
18	RE526834	SEAL KIT	1		(D) (SUB FOR RE51649)
19	RE60030	FITTING	1		M12 X 1.5 X 5/8"-24UNF

- (A) VALVE
- (A) SOUPEPE
- (A) VALVULA

- (B) SEAL
- (B) JOINT A LEVRE
- (B) RETEN

- (C) O-RING, WITHOUT HAND PRIMER
- (C) JOINTS TORIQUES, SANS AMORCEUR A MAIN
- (C) ANILLOS "O", SIN CEBADOR MANUAL

- (D) MECHANICAL COMPONENTS
- (D) COMPOSANTS MECANIKUES
- (D) COMPONENTES MECANICOS

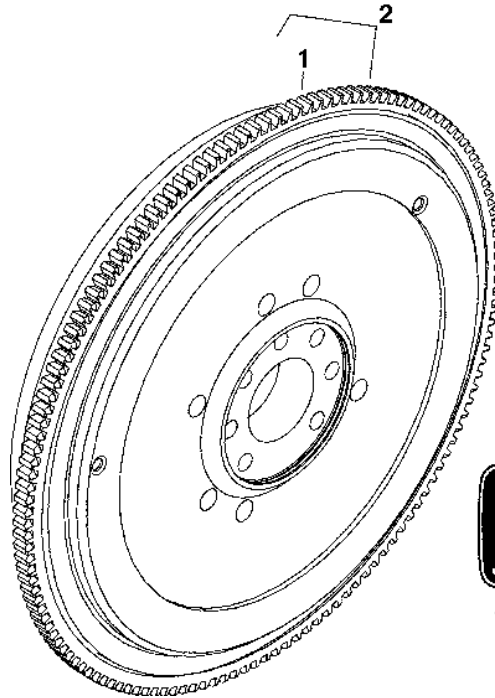
0433-1

ENGINE 04

FLYWHEEL, HOUSING AND FASTENINGS 0433

RGP6022 -UN-04APR00

FLYWHEEL
VOLANT-MOTEUR
VOLANTE



RGP6022

KEY	PART NO.	PART NAME	QTY.	ENGINE SERIAL NO.	REMARKS
1	R28811	RING GEAR	1		
2	RE500398	FLYWHEEL	1		(MARKED R500219)

0452-5

ENGINE 04

GASKET REPLACEMENT KITS 0452

MEMORANDA
MEMORANDA
MEMORANDA

0510-3B

ENGINE AUXILIARY SYSTEM 05
ENGINE COOLING SYSTEMS 0510

COOLING SYSTEM (CONTINUED)
CIRCUIT DE REFRROIDISSEMENT (SUITE)
SISTEMA DE ENFRIAMIENTO (CONTINUACION)

KEY	PART NO.	PART NAME	QTY.	SERIAL NO.	REMARKS
36	AT305673	ROD	1		
37	AT306690	BUMPER	6		
38	AH170895	CLAMP	6		(SUB FOR AT37693)
39	T66419	ISOLATOR	1		(CUT TO LENGTH) 27 INCHES (685.8 MM)
40	J16931	PIN	1		
41	R110531	CLAMP	2		
42	RE56098	CLAMP	2		(SUB FOR R115350)
43	R29936	O-RING	2		
44	T29747	HOSE FITTING	1		
45	R44302	TIE BAND	3		
46	T148410	NUT	31		
47	T148411	NUT	10		
48	T162238	GROMMET	1		
49	T181778	HOSE	2		
50	T181953	HOSE	1		
51	T182554	BRACKET	1		
52	T202963	TUBE	1		
53	T195580	TUBE	1		
54	T197427	GROMMET	1		
55	T197574	ISOLATOR	2		
56	T200475	RADIATOR HOSE	1		
57	T201589	SEALING RING	1		
58	T202637	ISOLATOR	1		
59	T203130	SHIELD	1		
60	T198039	HOSE	1		
61	T196084	RADIATOR HOSE	1		
62	T196085	RADIATOR HOSE	1		
63	T27260	WASHER	1		
64	T74416	CLAMP	2		
65	U12547	O-RING	2		
66	BULK HOSE	4		(CUT TO LENGTH) (MAKE FROM TY22324)
67	R43583	FITTING	1		
69	T226561	PLATE	1		(SUB FOR AT307806)
70	14M7152	NUT	6		
71	AT182802	FILLER CAP	1		

0515-3

ENGINE AUXILIARY SYSTEM 05
ENGINE SPEED CONTROLS 0515

**ENGINE SPEED CONTROL AND SENSORS
COMMANDE ET CAPTEURS REGIME MOTEUR
CONTROL DE VELOCIDAD DEL MOTOR Y SENSORES**

KEY	PART NO.	PART NAME	QTY.	SERIAL NO.	REMARKS
1	AT306702	ACCELERATOR	1		
2	T174634	BOOT	1		
3	AT323307	SENSOR	1		(SUB FOR AT306703)
4	M113243	SCREW	3		
5	T172927	GASKET	1		

0560-3

ENGINE AUXILIARY SYSTEM 05

EXTERNAL FUEL SUPPLY SYSTEMS 0560

FUEL TANK AND FUEL TANK HOSES FLEXIBLES DE RESERVOIR DE CARBURANT MANGUERAS DEL TANQUE DE COMBUSTIBLE

KEY	PART NO.	PART NAME	QTY.	SERIAL NO.	REMARKS
1	14M7396	LOCK NUT	1		M8
2	19M7785	SCREW	1		M10 X 25
3	19M7866	SCREW	1		M8 X 20
4	38H5008	ADAPTER FITTING	1		
5	51M7040	O-RING	1		
6	FUEL TANK	1	-594158	(SUB AT316140)
	AT316140	FUEL TANK	1	594159-	
7	AR21839	CLAMP	1		
8	TY22470	CLAMP	2		(SUB FOR AR21840)
9	R193666	FITTING	1		
10	R194311	COMPRESSION SPRING	1		
11	RE158953	CHAIN LINK	1		
11A	RE158953	CHAIN LINK	1	-594158	
11B	AH159448	LINK CHAIN	1	594159-	
12	RE194040	FITTING	1		
13A	HYDRAULIC HOSE - FABRICATE	1	-598853	(AT227820 NLA) (ORDER AT323720, AT223493 AND (2) R184863)
13B	AT323720	HYDRAULIC HOSE - FABRICATE	1	598854-	
14	AT227821	HYDRAULIC HOSE - FABRICATE	1		
15	AT227936	FUEL SENDER	1		
16	19M7317	SCREW	5		M5 X 30
17	24M7027	WASHER	5		5.300 X 10 X 1 MM
18	T196733	GASKET	1		
19	BULK HOSE	AR		(CUT TO LENGTH) (MAKE FROM T79477)
20	T13254	CLAMP	5		
21	R44302	TIE BAND	3		
22	RE52504	BREATHER	1		
24	T75197	CLAMP	1		
25	T75276	CLAMP	2		
26	T77613	O-RING	1		
27A	RE224279	FILLER CAP	1	-594158	
27B	RE234193	FILLER CAP	1	594159-	(SUB FOR AH165080)
28	R224278	GASKET	1		
29A	R116933	FUNNEL	1	-594158	
29B	AH165079	ADAPTER FITTING	1	594159-	
30A	R120233	O-RING	1	-594158	
30B	H172014	GASKET	1	594159-	
31	RE179976	CHECK VALVE	1		
32	R216843	HOSE	2		
33	AH162914	STRAINER	1	594159-	
34	H174381	CHANNEL	1	594159-	
35	T164203	SCREW	1	594159-	
36	R184863	HOSE CLAMP	2		
37	AT223493	FUEL FILTER	1		

0960-5

STEERING SYSTEM 09

POWER STEERING HYDRAULIC SYSTEM 0960
STEERING COMPENSATOR VALVE (SN. 601560 -)
SOUPAPE DE DIRECTION (SN. 601560 -)
VALVULA DE LA DIRECCION (SN. 601560 -)

KEY	PART NO.	PART NAME	QTY.	SERIAL NO.	REMARKS
1	AT323286	VALVE	1		
	AT323845	SEAL KIT	1		
2	38H1193	ADAPTER FITTING	2		
3	T77858	O-RING	2		
4	R26906	O-RING	2		
5	38H1435	ELBOW FITTING	1		
6	T77613	O-RING	1		
7	R28782	O-RING	1		
8	19M8039	SCREW	2		M8 X 80. (SUB FOR 19M8504)
9	T203047	STRAP	1		

1060-3

SERVICE BRAKES 10

SERVICE BRAKES HYDRAULICS 1060

BRAKE VALVE, PEDALS AND LINKAGE (S.N. -604689)
SOUPAPE, PEDALES ET TRINGLERIE DE FREIN (S.N. -604689)
VALVULA DE FRENOS, PEDALES Y VARILLAJE (S.N. -604689)

KEY	PART NO.	PART NAME	QTY.	SERIAL NO.	REMARKS
1	19M7657	SCREW	2		
2	24M7313	WASHER	2		
3	T38282	HOSE FITTING	1		
4	AT181313	CHECK VALVE	2		
6	AT203457	PEDAL	1		(RIGHT)
7	AT208088	PUSH ROD	1		
8	T157212	CLIP	6		
9	T157258	PIN	2		
10	T174634	BOOT	2		
11	AT208085	KIT	1		(LEFT PEDAL BRACKET)
12	AT314267	SUPPORT	1		(SUB FOR AT208167)
13	R53317	LOCK NUT	4		
14	T157211	PIN	2		
15	T157220	CLAMP	2		
16	T170180	SNAP RING	4		
17	T170181	LOCK WASHER	4		
18	AT208086	HOSE KIT	1		(RIGHT PEDAL BRACKET)
20	T157257	PIN	1		
21	T175236	ROLLER	1		
22	AT208087	PEDAL	1		(LEFT)
23	AT208163	PUSH ROD	1		
25	AT208089	ROCKER ARM	1		
26	T157223	BEARING	2		
27	AT206721	SWITCH	1	-600914	(STD)
	AT222371	SWITCH	1	-600914	(HARSH ENVIRONMENT)
28	AT207529	CHECK VALVE	1		
29	AT210291	CLUTCH KIT	1		(CLUTCH CUTOFF)
31	14H631	NUT	2		4.826 MM
32	21H1390	SCREW	2		
33	A4365R	O-RING	1		6.071 X 1.778 MM
34	AT210877	LINKAGE	1		
35	14H631	NUT	1		4.826 MM
36	21H985	SCREW	1		
37	AH108055	LINK END	1		
38	P48347	O-RING	2		
39	R72654	SNAP RING	2		
40	R86457	SUPPORT	1		
41	RE24468	SHAFT	1		
42	RE69297	SENSOR	1		(SUB FOR RE35704)
43	T172274	SUPPORT	1		
44	AT331208	FLOW CONTROL HYD. VALVE	1		(SUB FOR AT210229)
45	AT207948	SEAL KIT	1		
46	AT207947	SEAL	1		
47	R26375	O-RING	1		
48	M113243	SCREW	6		
49	N203905	LOCK NUT	1		
50	R26287	O-RING	1		
51	R26375	O-RING	1		
52	R26448	O-RING	3		
53	R28782	O-RING	1	-600914	
54	T172927	GASKET	2		
55	T176108	SPRING	1		
56	T176111	SPRING	1		
57	T77613	O-RING	4		
59	AT223535	PRESSURE SWITCH	1		(STD)
	AT222372	SWITCH	1		(HARSH ENVIRONMENT)
60	AT314266	SUPPORT	1		(SUB FOR AT208166)
61	12M7060	WASHER	4		5.300 MM, (SUB FOR 12H295)
62	R72653	SNAP RING	1		
63	38H1159	ADAPTER FITTING	1	600915-	
64	AT322982	TRANSDUCER	1	600915-	
65	AT326970	FITTING	1	600915-	

1060-13

SERVICE BRAKES 10

SERVICE BRAKES HYDRAULICS 1060

DRIVELINE BEARING AND PARKING BRAKE
PALIER LIGNE ET FREIN STATIONNEMENT COMMANDE
COJINETE DE LINEA DE MANDO Y FRENO DE ESTACIONAMIENTO

KEY	PART NO.	PART NAME	QTY.	SERIAL NO.	REMARKS
1	19M7719	CAP SCREW	4		
2	24M7338	WASHER	4		LIP
3	38H1338	ADAPTER FITTING	1		FACE
4	AT203533	BRAKE	1		(WHOLEGOODS)
5	19M7817	SCREW	6		
6	AT208411	PRESSURE RELIEF VALVE	1		
7	AT209496	BEARING	2		
8	AT225727	SEAL	2		
9	R26375	O-RING	2		
10	R39112	FITTING	2		
11	R74657	O-RING	1		
12	T169103	RETAINER	1		
13	T169104	COMPRESSION SPRING	18		
14	T169105	COMPRESSION SPRING	18		
15	T169107	BRAKE DISK	1		
16	T169108	BRAKE DISK	7		
17	T169109	BRAKE DISK	7		
18	T169110	GASKET	1		
20	T169113	NUT	1		
21	T169116	O-RING	1		
22	T169290	PISTON	1		
23	T172856	WASHER	1		
24	T173230	PIN	2		ASSY
25	T226802	UNIVERSAL DRIVESHAFT	1		(SUB FOR T169281)
26	T173593	WASHER	1		
27	U12167	SNAP RING	1		
28	H121681	UNIVERSAL JOINT YOKE	2		
29	T77613	O-RING	1		
30	U12547	O-RING	1		

1322-11

MISCELLANEOUS VEHICLE 13
DECALS AND TRADEMARKS 1322

**CANOPY LABELS AND DECALS
ETIQUETTES ET AUTOCOLLANTS EVENT
ETIQUETAS Y CALCOMANIAS DEL DOSEL**

KEY	PART NO.	PART NAME	QTY.	SERIAL NO.	REMARKS
1	JD5822	LABEL	2		(LEAPING DEER)
2	T146097	LABEL	1		(WARNING - SEAT BELT)
3	T148083	LABEL	1		(OPERATOR'S MANUAL)
4	T203671	LABEL	1		(KEY START)
5	T171228	LABEL	1		(PARK BRAKE SWITCH)
6	T200712	LABEL	1		(ROPS)
7	T215155	LABEL	2		(SUB FOR T174298) (WARNING - ACCUMULATOR)
8	T197186	LABEL	1		(START/STOP SWITCH)
9	T182795	SAFETY SIGN	1		(CAUTION - ENGINE START/STOP)

1671-3

VEHICLE ELECTRICAL SYSTEMS 16

BATTERIES, SUPPORT AND CABLES 1671

BATTERIES, BATTERY CABLES, AND BATTERY CLAMPS
BATTERIES, FILS DE BATTERIE ET COSSES DE BATTERIE
BATERIAS, CABLES DE LA BATERIA Y ABRAZADERAS DE LA BATERIA

KEY	PART NO.	PART NAME	QTY.	SERIAL NO.	REMARKS
1	14H1040	NUT	1		1/2"
2	14M7396	LOCK NUT	1		M8
3	19M7784	SCREW	3		M10 X 20
4	24M7240	WASHER	1		13 X 25 X 3 MM
5	24M7298	WASHER	1		8.400 X 25 X 2 MM
6	AH77869	CLIP	2		
7	TY21741	DRY CHARGED BATTERY	2		(625 CCA)
	TY6128	DRY CHARGED BATTERY	2		(950 CCA)
8	AT228312	BATTERY CABLE	1		
9	14H785	NUT	4		5/16"
10	T107117	COVER	1		
11	AT228313	BATTERY CABLE	1		(BATTERY TO STARTER)
12	AT228407	BATTERY CABLE	1		(BATTERY TO DISCONNECT)
13	24M7239	WASHER	2		10.700 X 21 X 2.500 MM
14	AT228311	BATTERY CABLE	1		(DISCONNECT TO BATTERY)
15	AT41188	SWITCH	1		(BATTERY DISCONNECT)
16	T42199	LABEL	1		(DISCONNECT)
17	H77698	TIE BAND	3		
18	R36545	GROUND CABLE	1		
19	R44302	TIE BAND	1		
20	T134104	COVER	1		
21	T174530	NUT	1		
22	T197467	ANGLE	1		
23	T79471	HOOK BOLT	1		

1672-11

VEHICLE ELECTRICAL SYSTEMS 16

ALTERNATOR, REGULATOR AND CHARGING SYSTEM WIRING 1672
HARSH ENVIRONMENT ALTERNATOR MOUNTING BRACKETS AND BELT (100 AMP)
SUPPORTS ET COURROIE MONTAGE ALTERNATEUR ENVIRONNEMENT DIFFICILE (100 AMP)
ESCUADRAS DE MONTAJE DEL ALTERNADOR PARA AMBIENTE CORROSIVO Y CORREA (100 AMP)

KEY	PART NO.	PART NAME	QTY.	SERIAL NO.	REMARKS
1	AT226924	ALTERNATOR	1		
2	R128859	PULLEY	1		
3	T205944	STRAP	1		
4	19M8162	SCREW	3		M10 X 40
5	14M7296	FLANGE NUT	3		M10
6	T186776	V-BELT	1		(W/O A/C)
	T208891	V-BELT	1		(W/ A/C)
7	AT307481	ALTERNATOR	1		(HARSH ENVIRONMENT) (W/O A/C)
	AT307482	ALTERNATOR	1		(HARSH ENVIRONMENT) (W/ A/C)

1673-9

VEHICLE ELECTRICAL SYSTEMS 16

VEHICLE LIGHTING SYSTEM 1673

**LICENSE PLATE BRACKET AND LIGHT
SUPPORT ET ECLAIRAGE PLAQUE MINERALOGIQUE
ESCUADRA Y LUZ DE MATRICULA**

KEY	PART NO.	PART NAME	QTY.	SERIAL NO.	REMARKS
1	14M7296	FLANGE NUT	1		M10
2	14M7396	LOCK NUT	2		M8
3	19M7784	SCREW	1		M10 X 20
4	24M7298	WASHER	2		8.400 X 25 X 2 MM
5	AT202789	LAMP	1		(INCLUDES BULB, AT173354)
	AT173354	BULB	1		
6	AT203137	WIRING HARNESS	1		
7	AT301914	BRACKET	1		
8	T75197	CLAMP	1		
9	AT228289	KIT	1		(LICENSE PLATE WITH LIGHT)
10	T70154	GROMMET	1		

1674-9

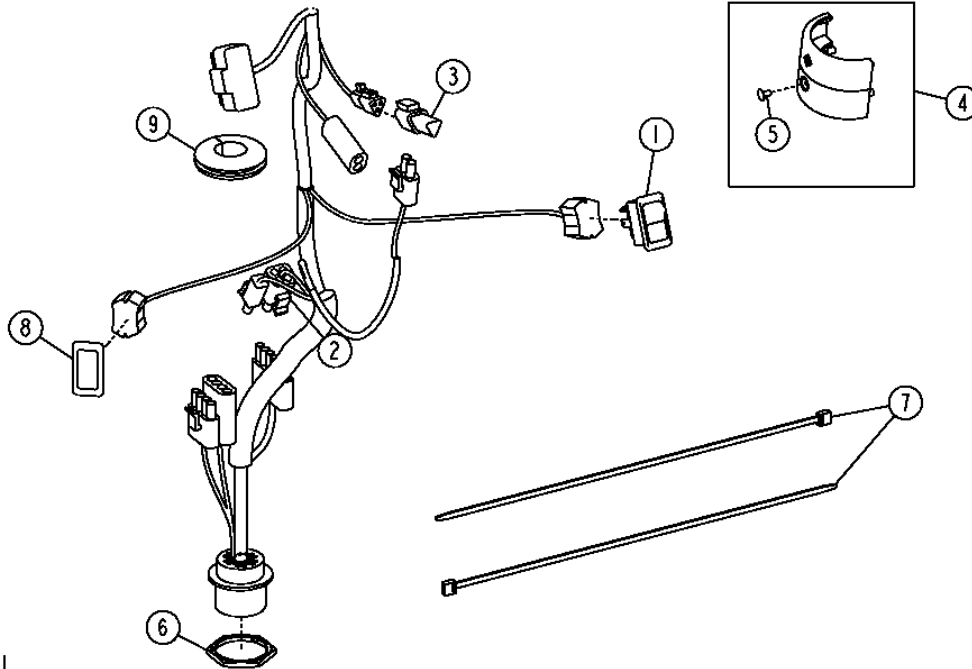
VEHICLE ELECTRICAL SYSTEMS 16

WIRING HARNESS AND SWITCHES 1674

DASH MODULE WIRING WITH JOYSTICK GEAR SELECTION
CABLAGE MODULE TABLEAU BORD AVEC SELECTION VITESSE MANCHE A BALAI
ALAMBRADO DEL MODULO DE TABLERO CON SELECCION DE ENGRANAJES DE LA PALANCA DE CONTROL

T212821

-UN-15AUG05



T212821

KEY	PART NO.	PART NAME	QTY.	SERIAL NO.	REMARKS
1	AT208630	SWITCH	1		(PARK BRAKE)
2	AT227134	WIRING HARNESS	1		(FRONT CONSOLE)
3	57M8131	ELEC. CONNECTOR TERMINAL	1		
4	AT300921	KIT	1		(STEERING COLUMN CLAMP & COVER)
5	21M7258	SCREW	1		M4 X 8
6	57M8035	NUT	1		(SUB FOR E73240)
7	H77698	TIE BAND	2		
8	M115279	PLUG	1		
9	T46876	GROMMET	1		

1740-3

FRAME CHASSIS OR SUPPORTING STRUCTURE 17

FRAME INSTALLATION 1740

**ENGINE FRAME
CHASSIS DE MOTEUR
BASTIDOR DEL MOTOR**

KEY	PART NO.	PART NAME	QTY.	SERIAL NO.	REMARKS
1	AT226400	FRAME	1		(CA)
2	AT206751	PIN	1		
3	T176064	BUSHING	3		(SUB FOR T146246)
4	T182446	COVER	1		
5	19M9190	CAP SCREW	1		M30 X 200
6	19M7363	CAP SCREW	6		M12 X 60
7	T182265	BUSHING	1		
8	AT133204	PIN FASTENER	2		
9	19M7488	CAP SCREW	3		M16 X 40, (SUB FOR 19M8029)
10	24H1556	WASHER	4		1-41/64" X 2-3/8" X 0.048"
11	24H1558	WASHER	3		1-41/64" X 2-3/8" X 0.075"
12	T72414	BUSHING	13		

1749-3

FRAME CHASSIS OR SUPPORTING STRUCTURE 17

CHASSIS WEIGHTS 1749

**MAIN COUNTERWEIGHT
CONTREPOIDS PRINCIPAL
CONTRAPESO PRINCIPAL**

KEY	PART NO.	PART NAME	QTY.	SERIAL NO.	REMARKS
1	19M7781	CAP SCREW	6		M24 X 150
2	19M7785	SCREW	6		M10 X 25
3	24M7239	WASHER	6		10.700 X 21 X 2.500 MM
4	14M7396	LOCK NUT	2		M8
5	24H1849	WASHER	2		17/32" X 1" X 0.036"
6	AT228414	DOOR	1		
7	H169568	SCREW	2		
8	T175361	GROMMET	2		
9	T203290	EXTENSION SPRING	2		
10	T197440	HANDLE	1		
11	T152076	WASHER	6		
12	T195982	COUNTERWEIGHT	1		(LH) (CONVENIENCE ASSY)
13	T204109	COUNTERWEIGHT	1		(RH) (CONVENIENCE ASSY)
14	T198178	MAT	1		(ANTI-SKID FOR LH COUNTERWEIGHT)
15	T198179	MAT	1		(ANTI-SKID FOR LH COUNTERWEIGHT DOOR)

CLICK HERE TO **DOWNLOAD** THE COMPLETE MANUAL

- Thank you very much for reading the preview of the manual.
- You can download the complete manual from: www.heydownloads.com by clicking the link below



- Please note: If there is no response to CLICKING the link, please download this PDF first and then click on it.

CLICK HERE TO **DOWNLOAD** THE COMPLETE MANUAL

1810-11

OPERATOR'S STATION 18
OPERATOR ENCLOSURE 1810

**CANOPY MONITOR CONSOLE
CONSOLE MONITEUR EVENT
CONSOLA DEL MONITOR DEL DOSEL**

<i>KEY</i>	<i>PART NO.</i>	<i>PART NAME</i>	<i>QTY.</i>	<i>SERIAL NO.</i>	<i>REMARKS</i>
1	H81330	ISOLATOR	2		
2	R117845	GROMMET	1		
3	T196621	CONSOLE	1		
4	T82791	SCREW	4		
5	T82792	NUT	4		

1810-19

OPERATOR'S STATION 18
OPERATOR ENCLOSURE 1810

**CAB TRIM, SEAT BASE AND FIRE EXTINGUISHER
GARNITURE CABINE, BASE SIEGE ET EXTINCTEUR
PIEZAS DE ADORNO DE LA CABINA, BASE DEL ASIENTO Y EXTINGUIDOR DE INCENDIOS**

KEY	PART NO.	PART NAME	QTY.	SERIAL NO.	REMARKS
1	19M7774	SCREW	8		M6 X 12
2	19M7866	SCREW	4		M8 X 20
3	21M7247	SCREW	2		M6 X 35
4	T172991	PLATE	1		
5	T172992	GROMMET	1		
6	19M7868	SCREW	5		M8 X 30. (SUB FOR 19M7513)
7	24M7238	WASHER	5		8.700 X 17 X 2 MM
8	AT151931	LATCH	1		
9	AT224235	FLOOR	1		
10	AT225706	PAD	1		
11	WEATHERSTRIP	1		(MAKE FROM H81330) (CUT TO LENGTH)
12	T167770	ISOLATOR	1		
13	T209094	ISOLATOR	1		(SUB FOR T167771)
14	T180408	PLUG	1		
15	T205472	COVER	2		
17	T182860	ISOLATOR	1		
18	T182906	PLATE	1		
19	28H3423	BUSHING	2		0.364" X 0.540" X 7/8"
20	AT189390	BRACKET	1		
21	AT189487	FIRE EXTINGUISHER	1		

1810-29

OPERATOR'S STATION 18
OPERATOR ENCLOSURE 1810

**REAR WINDSHIELD WIPER
ESSUIE-GLACE ARRIERE
LIMPIADOR DE PARABRISAS TRASERO**

KEY	PART NO.	PART NAME	QTY.	SERIAL NO.	REMARKS
1	T182909	CLIP	2		
2	T182860	ISOLATOR	1		
3	AL153660	WIPER BLADE	1		(INCLUDES R120653) (SUB FOR AT209912)
4	AT209910	WIPER ARM	1	-867756	
	AT304633	WIPER ARM	1	867757-	
5	RE40049	KIT	1		(HARDWARE)
6	AT116970	ELBOW FITTING	1		
7	AT138180	NUT	1		
8	R63667	WASHER	1		
9	AT209908	WIPER MOTOR	1		(24V)
10	AT224217	WIPER MOTOR	1	-867756	(WIPER DRIVE & MOTOR)
	AT324849	WIPER MOTOR	1	867757-	
11	MOTOR	1		(REAR WIPER ASSEMBLY) (AT202784 NLA) (FURNISH COMPONENTS)
12	T182919	FITTING	1		
13	BULK HOSE	1		(MAKE FROM R120653) (CUT TO 96 IN.)
14	BULK HOSE	1		(MAKE FROM R120653) (CUT TO LENGTH)

1810-39

OPERATOR'S STATION 18
OPERATOR ENCLOSURE 1810

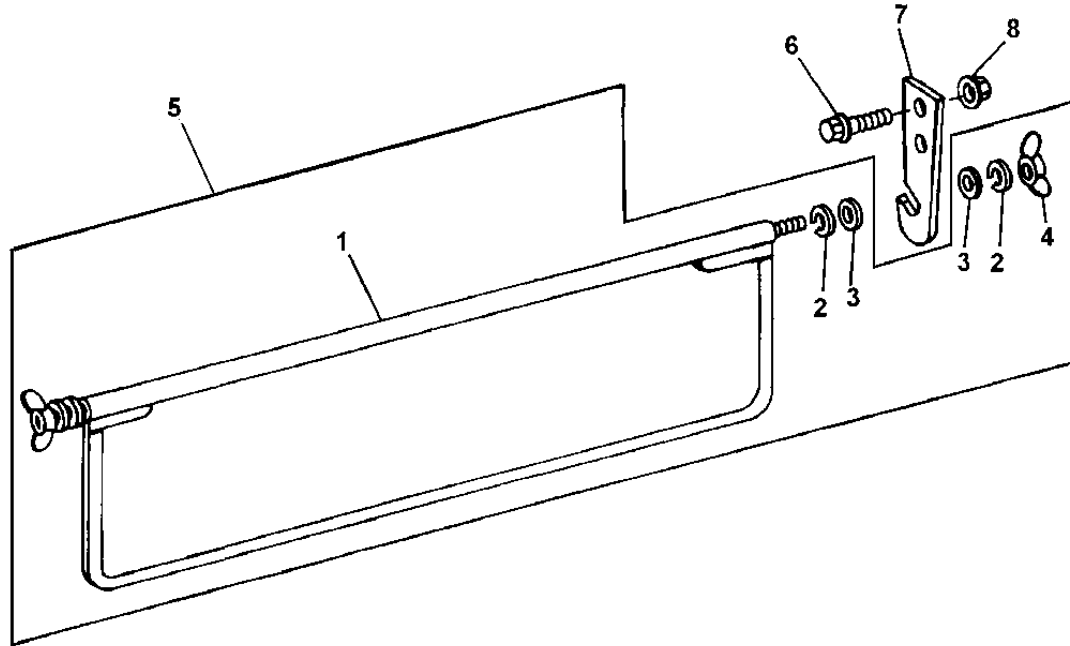
MEMORANDA
MEMORANDA
MEMORANDA

1810-47

OPERATOR'S STATION 18
OPERATOR ENCLOSURE 1810

SUN VISOR PARE-SOLEIL PARASOL

T141042 -UN-09APR01



T141042

KEY	PART NO.	PART NAME	QTY.	SERIAL NO.	REMARKS
1	SUN VISOR	1		(SUB AT217448)
2	24H1285	WASHER	4		17/64" X 7/16" X 0.065"
3	N218377	WASHER	4		
4	M47887	WING NUT	2		6.350 MM
5	AT217448	SUN VISOR	1		
6	19M7862	SCREW	2		M6 X 20
7	T181797	BRACKET	2		
8	14M7303	FLANGE NUT	2		M6

1821-3

OPERATOR'S STATION 18
SEAT AND SEAT BELTS 1821

**SEAT AND SEAT SUSPENSION
SIEGE ET SUSPENSION DE SIEGE
ASIENTO Y SUSPENSION DEL ASIENTO**

KEY	PART NO.	PART NAME	QTY.	SERIAL NO.	REMARKS
1	19M7866	SCREW	4		
2	19H3569	CAP SCREW	2		
3	AT308199	SEAT BELT	1		
4	T105740	WASHER	4		
5	T163962	COVER	1		
6	AT307474	SEAT	1	-592825	GRAY VINYL
	AT311919	SEAT	1	592826-	GRAY VINYL
	AT224248	SEAT	1	-592825	GRAY CLOTH
	AT310435	SEAT	1	592826-	GRAY CLOTH
7	AT195441	ARMREST KIT	1		(R.H.)
	AT315715	PAD	1		
8	AT195442	ARMREST KIT	1		(L.H.)
	AT315761	PAD	1		
9	AT209020	KIT	1		SLIDE PUCK KIT
10	AT209021	KIT	1		SLIDE SPRING KIT
11	R72655	SNAP RING	4		
12	T163334	SPRING	1		
13	T163335	SPRING	1		
14	T163336	TORSION SPRING	1		
15	AT209022	HOSE KIT	1		SLIDE CONTROL KIT
17	AT209024	KIT	1		LUMBAR KNOB KIT
18	34H262	SPRING PIN	1		
19	AT209025	KIT	1		RECLINER KNOB KIT
20	37H121	SCREW	1		
21	AT209026	KIT	1		LUMBAR SERVICE KIT
22	34H387	SPRING PIN	2		
23	AT209225	KIT	1		RECLINER SERVICE KIT (INCLUDES RECLINER KNOB KIT AND TORSION SPRING)
24	M453T	LOCK NUT	3		
25	AT221015	SEAT	1		GRAY VINYL
	AT308795	CUSHION	1		(SUB FOR AT221019) GRAY CLOTH
26	AT221016	PAD	1		GRAY VINYL
	AT308796	CUSHION	1		(SUB FOR AT221020) GRAY CLOTH
27	T171686	CLIP	4		
28	AT221017	CUSHION	1		GRAY VINYL
	AT308797	CUSHION	1		(SUB FOR AT221021) GRAY CLOTH
29	T182870	ISOLATOR	1		(SUB FOR N119177)
30	AT208531	SEAT SUSPENSION	1	-592825	
	AT311918	SEAT SUSPENSION	1	592826-	
31	CONTROL	1		

1822-7

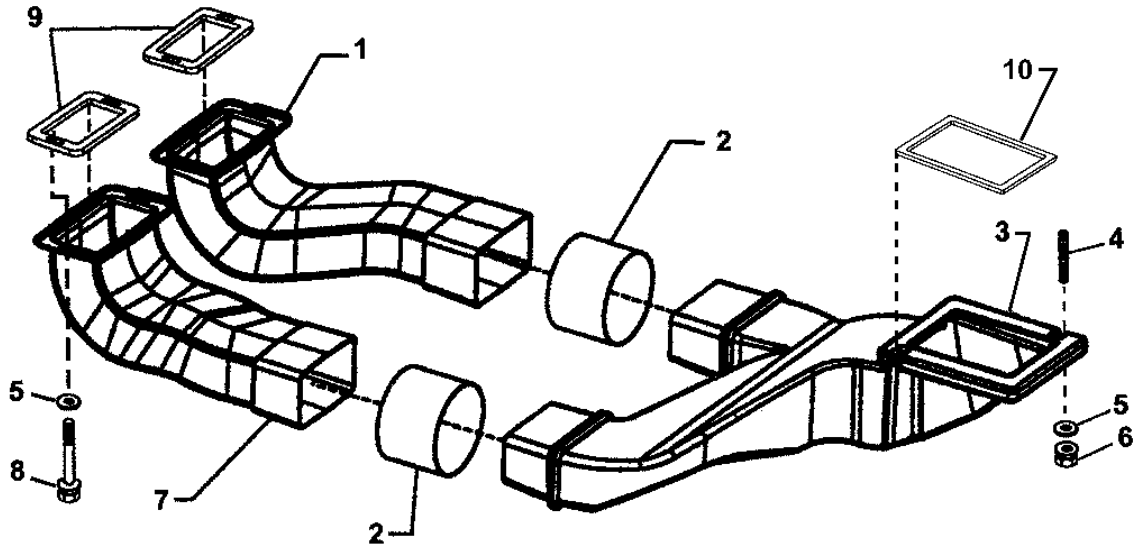
OPERATOR'S STATION 18
STEPS AND HANDHOLDS 1822

**ENGINE COMPARTMENT STEP
MARCHE DE COMPARTIMENT MOTEUR
PELDANO DEL COMPARTIMIENTO DEL MOTOR**

KEY	PART NO.	PART NAME	QTY.	SERIAL NO.	REMARKS
1	19M7785	SCREW	4		M10 X 25
2	24M7239	WASHER	4	-XXXXXX	10.700 X 21 X 2.500 MM
3	14M7400	LOCK NUT	8		M10
4	19M7806	SCREW	4	-XXXXXX	M10 X 50
	19M7804	SCREW	4	XXXXXX-	M10 X 40
5	24M7239	WASHER	4		10.700 X 21 X 2.500 MM
6	24M7296	WASHER	4		10.500 X 30 X 2.500 MM
7	AT228809	STEP	1		
8	T217427	STRAP	1		(SUB FOR T197442)
9	W29909	U-BOLT	2		
10	24M7239	WASHER	2	-XXXXXX	

HEATING AND AIR CONDITIONING OUTLET DUCTS
 CONDUITS SORTIE CHAUFFAGE ET CLIMATISATION
 REGISTROS DE SALIDA DEL CALEFACTOR Y ACONDICIONADOR DE AIRE

TP62831 -UN-29JUN00



TP62831

KEY	PART NO.	PART NAME	QTY.	SERIAL NO.	REMARKS
1	T173768	AIR DUCT	1		(RH)
2	T171082	SEAL	2		
3	T207669	AIR DUCT	1		(SUB FOR T175855)
4	T167759	STUD	2		
5	24M7298	WASHER	6		8.400 X 25 X 2 MM
6	14M7298	FLANGE NUT	2		M8
7	T156256	AIR DUCT	1		(LH)
8	19M7800	SCREW	4		M8 X 50
9	T182872	SEAL	2		
10	H94158	WEATHERSTRIP	1		(SUB FOR T167679)

1910-5

SHEET METAL AND STYLING 19
HOOD OR ENGINE ENCLOSURE 1910

ENGINE SIDE SHIELDS
PANNEAUX LATERAUX DE MOTEUR
ESCUDOS LATERALES DEL MOTOR

KEY	PART NO.	PART NAME	QTY.	SERIAL NO.	REMARKS
1	14M7152	NUT	6		M10
2	14M7298	FLANGE NUT	4		M8
3	19M7784	SCREW	4		M10 X 20. (SUB FOR 19M7783)
4	19M7784	SCREW	10		M10 X 20
5	19M7805	SCREW	4		M10 X 45
6	24M7239	WASHER	6		10.700 X 21 X 2.500 MM
7	AT208159	HINGE	2		
8	AT219974	BUMPER	6		
9	AT226229	CYLINDER	2		
	T182758	CLIP	4		(DOOR CYLINDER) (NOT ILLUSTRATED)
10	AT327529	DOOR	1		(FRONT RIGHT) (SUB FOR AT226851)
11	AT221696	LATCH	2		(SUB FOR AT280208)
12	H85233	RIVET	8		
13	AT327522	DOOR	1		(RIGHT SERVICE DOOR) (SUB FOR AT228543)
14	T105891	CAP SCREW	2		
15	T168119	PLATE	2		
16	AT327530	DOOR	1		(FRONT LEFT) (SUB FOR AT226852)
17	AT327523	DOOR	1		(LEFT SERVICE DOOR) (SUB FOR AT228544)
18	AT320323	ISOLATOR	1		(SUB FOR AT226847)
19	T147891	BUSHING	4		
20	T168135	STRAP	2		
21	T177909	BALL STUD	4		
22	MOLDING	1		(MAKE FROM T61861) (CUT TO LENGTH)

1927-3

SHEET METAL AND STYLING 19

FENDERS 1927

**FRONT FENDERS
AILES AVANT
GUARDABARROS DELANTERO**

KEY	PART NO.	PART NAME	QTY.	SERIAL NO.	REMARKS
1	03M7195	BOLT	12		M10 X 45
2	14M7152	NUT	12		M10
3	14M7167	LOCK NUT	12		M10
4	19M7788	SCREW	6		M12 X 25
5	T22381	WASHER	24		10.414 X 38.100 X 5.588 MM
6	24M7296	WASHER	12		10.500 X 30 X 2.500 MM
7	T178368	SUPPORT	6		
8	T205471	FENDER	2		

1927-11

SHEET METAL AND STYLING 19

FENDERS 1927

**FENDER BRACKET EXTENSIONS (TOOL CARRIER)
EXTENSIONS SUPPORT AILE (PORTE-OUTILS)
EXTENSIONES DE ESCUADRA DEL GUARDABARROS PORTAHERRAMIENTAS)**

KEY	PART NO.	PART NAME	QTY.	SERIAL NO.	REMARKS
1	03M7083	BOLT	2		M12 X 35
2	14M7299	FLANGE NUT	2		M12
4	19M7789	SCREW	2		M12 X 30
5	19M7790	SCREW	4		M12 X 35
6	24M7240	WASHER	2		13 X 25 X 3 MM
7	T206642	PLATE	2		
8	BRACKET	1		(AT310495 NLA) (FURNISH COMPONENTS)

2160-7

VEHICLE MAIN HYDRAULIC SYSTEM 21

VEHICLE HYDRAULICS 2160

HYDRAULIC OIL RESERVOIR RESERVOIR HUILE HYDRAULIQUE DEPOSITO DE ACEITE HIDRAULICO

KEY	PART NO.	PART NAME	QTY.	SERIAL NO.	REMARKS
1	19M7409	CAP SCREW	4		M16 X 50
2	19M7784	SCREW	8		M10 X 20
3	19M7785	SCREW	4		M10 X 25
4	19M7788	SCREW	2		M12 X 25
5	24M7240	WASHER	2		13 X 25 X 3 MM
6	24M7241	WASHER	2		17 X 34 X 4 MM
7	24M7296	WASHER	8		10.500 X 30 X 2.500 MM
8	38H1098	ELBOW FITTING	1	-594432	
9	T76938	O-RING	2	-594432	
	T76938	O-RING	1	594433-	
10	38H1007	ELBOW FITTING	1		
11	T77858	O-RING	1		
12	U12547	O-RING	4		
13	38H1175	ADAPTER FITTING	1		
14	T77857	O-RING	1		
15A	38H1216	ADAPTER FITTING	1	-594432	
15B	38H1164	ADAPTER FITTING	1	594433-	
16	R29936	O-RING	2		
17	AH64349	HOSE FITTING	1		
18	AH75162	FITTING	1		
19	AM39653	OIL FILTER	1		
20	AR21839	CLAMP	2		
21	AT21574	FITTING	1		
22	R27390	NUT	1		
23A	AH170895	CLAMP	1	-XXXXXX	
23B	AH170895	CLAMP	1	XXXXXX-	
24	AT221897	CHECK VALVE	1		
25	AT223658	HOSE	1		
26	R26773	O-RING	1		
27	T181201	FITTING	1		
28	AT224797	FILTER HEAD	1		
29	AT307045	PRESSURE SWITCH	1		(SUB FOR AT280924)
30	R26375	O-RING	1		
31	P46051	O-RING	1		
32	AT310905	OIL FILTER	1		(SUB FOR AT228474)
33	M72389	ADAPTER FITTING	1		
34	R26448	O-RING	3		
35	AT224266	TEE FITTING	1		
36	24H1136	WASHER	8		11/32" X 11/16" X 0.065"
37	AT161638	STRAINER	1		
38	AT177950	FILLER CAP	1		
39	H148166	WASHER	1		
40	AT227279	LEVEL GAUGE	1		
41	AT227491	HYDRAULIC RESERVOIR	1	-XXXXXX	
	AT329811	HYDRAULIC RESERVOIR	1	XXXXXX-	
42	CLAMP	5		
43	AT227644	HOUSING	1		
44	R27175	DRAIN PLUG	1		
45	T103461	SEALING WASHER	1		
46	T205033	GASKET	1	-XXXXXX	
	T106595	GASKET	1	XXXXXX-	
47	T39155	SNAP RING	1		
48	T81403	SCREW	8		
49	AT228747	BRACKET	1		
50A	AT37476	HOSE CLAMP	1	-XXXXXX	
50B	RE52702	CLAMP	1	XXXXXX-	
51	BULK HOSE	1		(FURNISH T148181 BULK MATERIAL. CUT TO 3 FT)
52	N189220	TIE BAND	1		
53	R26286	O-RING	1		
54	R26906	O-RING	1		
55	R27218	FITTING PLUG	1		
56	RE38310	SENSOR	1		
57	T119912	WASHER	4		
58	T196312	BOOT	1		
59	T203776	PLUG	1		
60	T77613	O-RING	3		
61	AT79195	CLAMP	1	-XXXXXX	

3102-5

LOADER 31

BUCKET (INCLUDING TEETH) 3102

LOADER ATTACHMENT COUPLER BUCKET
BENNE ACCOUPLEMENT ACCESSOIRE CHARGEUR
CUCHARON DEL ACOPLADOR DE SUJECION DE LA CARGADORA

KEY	PART NO.	PART NAME	QTY.	SERIAL NO.	REMARKS
1	10H1040	BOLT	8		5/8" X 2"
2	14H1039	NUT	8		5/8"
3	24M7241	WASHER	8		17 X 34 X 4 MM
4	T157282	CUTTING EDGE	1		(2.5 YARD BUCKET)
	T157465	CUTTING EDGE	1		(3.0 YARD BUCKET)
5	T156599	SHOE	2		(2.5 YARD BUCKET)
	T157457	SHOE	2		(3.0 YARD BUCKET)
6	AT301992	LOADER BUCKET	1		(CA) (2.5 YD BUCKET) (2550 MM WIDE CUTTING EDGE)
	AT302059	LOADER BUCKET	1		(CA) (3.0 YD BUCKET) (2690 MM WIDE CUTTING EDGE)
7	T213143	LABEL	1		(SUB FOR KV22121)

3103-3

LOADER 31

FORKS 3103

**PALLET FORKS
FOURCHES A PALETTES
HORQUILLAS PARA TARIMAS**

KEY	PART NO.	PART NAME	QTY.	SERIAL NO.	REMARKS
1	AT308065	FORK	2		(48 INCH) (CA)
	AT308066	FORK	2		(60 INCH) (CA)
2	AT310060	FRAME	1		(CA)
3	AT300238	FORK	1		(FIELD KIT) (48 INCH)
	AT300237	FORK	1		(FIELD KIT) (60 INCH)
4	AT332401	KIT	2		(USE WITH CASCADE FORKS)
	AT332401	KIT	2		(USE WITH NON CASCADE FORKS)

3104-7

LOADER 31

ATTACHMENT COUPLER 3104

**Z-BAR LINKAGE ATTACHMENT COUPLER
COUPLEUR ACCESSOIRE TRINGLERIE CINEMATIQUE EN Z
ACOPLADOR DE SUJECION DE VARILLAJE DE BARRA EN Z**

KEY	PART NO.	PART NAME	QTY.	SERIAL NO.	REMARKS
1	19M7489	CAP SCREW	3		M16 X 45
2	19M8342	SCREW	2		M16 X 90
3	24M7338	WASHER	6		17 X 30 X 3 MM
4	38H1004	ELBOW FITTING	1		
5	R26448	O-RING	2		
6	T77613	O-RING	1		
7	38H1173	ADAPTER FITTING	1		
8	T77857	O-RING	1		
9A	AH212349	HYDRAULIC CYLINDER	1		(COMPONENTS LISTED ON ANOTHER PAGE)
9B	AH217541	HYDRAULIC CYLINDER	1		(COMPONENTS LISTED ON ANOTHER PAGE)
10	QUICK COUPLER	1		(AT300956 NLA) (FURNISH AT311387)
	AT317970	QUICK COUPLER	1		(USE WITH AH217541)
12	AT308024	PIN	1		
13	AT301215	PIN	2		
14	JD7759	LUBRICATION FITTING	4		
15	T176064	BUSHING	3		
16A	T209423	PIN FASTENER	2		(SUB FOR T200758)
16B	T213442	PIN FASTENER	2		
17	T102171	WASHER	4		(SUB FOR T54474)
18	T63795	WASHER	8		
19	14M7328	LOCK NUT	2		M16
20	H89151	DOWEL PIN	2		
21	T61226	SNAP RING	2		
22	PLATE	1		(T213440 NLA)
23	T213441	PLATE	1		
24	AT311387	QUICK COUPLER	1		(WHOLE GOODS)(Z-BAR FIELD KIT)

3104-17

LOADER 31

ATTACHMENT COUPLER 3104

ATTACHMENT COUPLER HYDRAULIC CYLINDER (CLIP-ON PINS)
VERIN HYDRAULIQUE ACCOUPLEMENT ACCESSOIRE (AXES VERROUILLABLES)
CILINDRO HIDRAULICO DEL ACOPLADOR DE SUJECION (PASADORES CON PRESILLA)

KEY	PART NO.	PART NAME	QTY.	SERIAL NO.	REMARKS
1	H154514	SEAL	1		
2	H156058	WEAR RING	1		
3	H156586	SEAL	1		
5	H170535	NUT	1		
6	R93633	O-RING	1		(SUB FOR H161156)
7	H164982	SNAP RING	1		
8	H211156	SNAP RING	1		
10	H210874	HYDR. CYLINDER ROD GUIDE	1		
11	H63262	O-RING	1		
12	U13461	BACK-UP RING	1		
13	AH142159	PISTON	1		
14	AH212088	HYDRAULIC CYLINDER KIT	1		(BORE SEAL KIT)
15	AH148823	KIT	1		(ROD SEAL KIT)
16	AH217541	HYDRAULIC CYLINDER	1		

3140-5

LOADER 31

FRAMES 3140

**TOOL CARRIER FRAME
BATI PORTE-OUTILS
BASTIDOR DEL PORTAHERRAMIENTAS**

KEY	PART NO.	PART NAME	QTY.	SERIAL NO.	REMARKS
1	24M7296	WASHER	4		10.500 X 30 X 2.500 MM
2	19M7786	SCREW	4		M10 X 30
3	T157234	COVER	1		
4	24H1240	WASHER	2		3-1/32" X 4-1/2" X 0.105"
5	FRAME	1		(AT209139 NLA)
6	19M7496	CAP SCREW	12		M12 X 45
7	24M7240	WASHER	12		13 X 25 X 3 MM
8	T200888	COVER	2		
9	JD7759	LUBRICATION FITTING	8		
10	T157029	SEAL	2		0.127MM(0.005")
11	T130059	SHIM	2		0.127MM(0.005")
12	T130058	SHIM	2		0.254MM(0.010")
13	T130057	SHIM	4		0.508MM(0.020")
14	AT203483	BEARING	2		
15	T157030	SPACER	2		
16	19M8029	CAP SCREW	2		M16 X 30
17	T146246	WASHER	2		
18	AT203570	PIN	2		(STEERING CYLINDER)
19	24H1558	WASHER	6		1-41/64" X 2-3/8" X 0.075"
	24H1556	WASHER	2		1-41/64" X 2-3/8" X 0.048"
20	T182571	PIN	1		
21	T60752	SEAL	2		
22	T182265	BUSHING	1		
23	14M7277	NUT	8		M20
24	24M7242	WASHER	16		21.400 X 42 X 5 MM
25	19M7489	CAP SCREW	6		M16 X 45
26	T176064	BUSHING	6		
27	AT206738	PIN	4		
28	19M7779	CAP SCREW	8		M20 X 240
29	AT318927	PIN	2		(SUB FOR AT206736)

3140-17

LOADER 31

FRAMES 3140

LOADER LINKAGE
TRINGLERIE CHARGEUR
VARILLAJE DE LA CARGADORA

KEY	PART NO.	PART NAME	QTY.	SERIAL NO.	REMARKS
1	AT307536	BELLCRANK	1		
2	T168555	BUSHING	1		
3	T102138	SEAL	2		
4	AT207321	PIN	1		
5	T176064	BUSHING	2		
6	19M7489	CAP SCREW	2		M16 X 45
7	24H1240	WASHER	4		3-1/32" X 4-1/2" X 0.105"
8	AT307535	LINK	1		
	AT311735	LINK	1		(SUB FOR AT307518) (HIGH LIFT) (NOT ILLUSTRATED)
9	T171793	BUSHING	2		
10	JD7759	LUBRICATION FITTING	3		
11	AT207321	PIN	1		
12	T102206	SEAL	4		

3160-5

LOADER 31

LOADER HYDRAULICS 3160

**TWO SPOOL LOADER CONTROL VALVE (S.N. 594433-)
DISTRIBUTEUR CHARGEUR DEUX TIROIRS (S.N. 594433-)
VALVULA DE CONTROL DE LA CARGADORA DE DOS CARRETES (S.N. 594433-)**

KEY	PART NO.	PART NAME	QTY.	SERIAL NO.	REMARKS
1	14M7400	LOCK NUT	3		M10
2	19M7807	SCREW	3		M10 X 60
3	24M7239	WASHER	3		10.700 X 21 X 2.500 MM
4	38H1004	ELBOW FITTING	1		
5	R26448	O-RING	9		0.468" X 5/64"
6	T77613	O-RING	7		0.364" X 0.070"
7	38H1008	ELBOW FITTING	1		
8	T78612	O-RING	1		1.176" X 0.070"
9	U13639	O-RING	1		1.475" X 0.118"
10	38H1026	TEE FITTING	1		
11	T77858	O-RING	3		0.739" X 0.070"
12	U12547	O-RING	5		
13	38H1160	ADAPTER FITTING	4		
14	38H1215	ADAPTER FITTING	1		
15	38H1216	ADAPTER FITTING	1		
16	R29936	O-RING	1		1.171" X 0.116"
17	T76938	O-RING	4		0.926" X 0.070"
18	38H1572	TEE FITTING	1		
19	AT220096	CHECK VALVE	2		
20	AT308386	HYD ACTUATED CONTROL VALVE	1		
21	T210479	FITTING	1		
22	R27175	DRAIN PLUG	1		
23	R27218	FITTING PLUG	2		
..	AT314048	ROD	1		(TWO SPOOL STUD ASSEMBLY) (NOT ILLUSTRATED)

3160-15

LOADER 31

LOADER HYDRAULICS 3160

FOUR SPOOL LOADER CONTROL VALVE (S.N. -594432)
DISTRIBUTEUR CHARGEUR QUATRE TIROIRS (S.N. -594432)
VALVULA DE CONTROL DE LA CARGADORA DE CUATRO CARRETES (S.N. -594432)

KEY	PART NO.	PART NAME	QTY.	SERIAL NO.	REMARKS
1	T77858	O-RING	7		
3	38H1026	TEE FITTING	1		
4	U12547	O-RING	8		
5	38H1030	TEE FITTING	1		
6	T77613	O-RING	13		
7	T76938	O-RING	5		
8	38H1160	ADAPTER FITTING	7		
9	38H1163	ADAPTER FITTING	4		
10	R26448	O-RING	10		
11	AT220096	CHECK VALVE	2		
12	19M7944	SCREW	2		M10 X 120
13	24M7239	WASHER	3		10.700 X 21 X 2.500 MM
14	38H1194	ADAPTER FITTING	1		
15	R29936	O-RING	2		
16	14M7400	LOCK NUT	3		M10
17	AT225786	SPOOL VALVE	1		
18	19M8528	SCREW	1		M10 X 55
19	38H1004	ELBOW FITTING	1		
21	38H1037	ELBOW FITTING	1		
22	T176944	ORIFICE	1		
23	38H1179	ADAPTER FITTING	2		
24	38H1572	TEE FITTING	1		

3160-27

LOADER 31

LOADER HYDRAULICS 3160

ELECTRIC FIFTH FUNCTION
CINQUIEME FONCTION ELECTRIQUE
QUINTA FUNCION ELECTRICA

KEY	PART NO.	PART NAME	QTY.	SERIAL NO.	REMARKS
1	AT166149	HYDRAULIC HOSE - FABRICATE	2		
2	AT207096	HYDRAULIC HOSE - FABRICATE	2		
3	AT211219	WIRING HARNESS	1		
4	AT219757	TOGGLE/ROCKER SWITCH	1		
	AT220526	SWITCH	1		
5	AT314013	SEAL KIT	1		(NOT ILLUSTRATED)
6	AT316315	SOLENOID VALVE	1		
7	AT318916	HYDRAULIC HOSE - FABRICATE	1		(NOT ILLUSTRATED)
8	38H1418	FITTING	2		
9	38H1030	TEE FITTING	4		
10	38H1094	ELBOW FITTING	2		
11	38H1163	ADAPTER FITTING	2		
12	38H1309	ADAPTER FITTING	2		
13	38H1160	ADAPTER FITTING	2		
14	T77613	O-RING	14		
15	T77858	O-RING	2		
16	R26448	O-RING	2		
17	U12547	O-RING	2		
18	R28782	O-RING	2		

3160-37

LOADER 31

LOADER HYDRAULICS 3160

AUXILIARY VALVE SECTION (S.N. -594432)
SECTION DISTRIBUTEUR AUXILIAIRE (S.N. -594432)
SECCION DE VALVULA AUXILIAR (S.N. -594432)

KEY	PART NO.	PART NAME	QTY.	SERIAL NO.	REMARKS
1	AT220173	HYD ACTUATED CONTROL VALVE	1		
	AT179941	SEAL KIT	1		(WORK SECTION)
2	AT209748	SEAL KIT	2		(RELIEF VALVE)
3	H84318	O-RING	2		
4	T169955	ORIFICE	2		
5	AT209750	PRESSURE RELIEF VALVE	2		
6	AT209758	CHECK VALVE	1		
7	AT220035	HOSE KIT	1		
8	14H856	NUT	2		1/2"
9	22H1022	SET SCREW	2		1/2" X 1-1/2"
10	R26906	O-RING	2		
11	AT220826	COMPENSATOR	1		
12	R61463	BACK-UP RING	2		
13	T77814	O-RING	2		
14	AT220830	HOSE KIT	1		
15	19H3724	SCREW	8		
16	T172562	CHECK VALVE	1		

3160-47

LOADER 31

LOADER HYDRAULICS 3160

FIFTH FUNCTION VALVE SECTION (S.N. XXXXXX -)
 SECTION SOUPAPE CINQUIEME FONCTION (S.N. XXXXXX -)
 SECCION DE VALVULA DE QUINTA FUNCION (S.N. XXXXXX -)

KEY	PART NO.	PART NAME	QTY.	SERIAL NO.	REMARKS
1	AT307771	FLOW CONTROL HYD. VALVE	1		(WHOLE GOODS) (FIFTH SECTION) (CONTAINS ALL COMPONENTS NECESSARY TO ADD FIFTH AUXILIARY FUNCTION)
2	M4125T	O-RING	2		
3	H84318	O-RING	2		
4	CAP	2		(END)
5	O-RING	1		
6	BACK-UP RING	1		
7	O-RING	1		
8	O-RING	1		
9	BACK-UP RING	1		
10	A4742R	BALL	1		
11	AT220827	COMPENSATOR	1		
12	O-RING	1		
13	O-RING	1		
14	BACK-UP RING	1		
15	SPRING	1		
16	T172562	CHECK VALVE	1		
17	O-RING	1		
18	BACK-UP RING	1		
19	19H3724	SCREW	4		1/4" X 4-1/2"
20	U12547	O-RING	2		
21	PLUG	1		
22	U40962	O-RING	2		
23	O-RING	1		
24	AT216573	O-RING	2		
25	T103465	SEAL	2		
26	AT216571	O-RING	1		
27	BACK-UP RING	2		(SUB AT209750)
28	AT124574	O-RING	2		
29	AT224850	SOLENOID	2		(INCLUDES WIRING HARNESS AT326581)
30	R26287	O-RING	2		
31	PLUG	1		
32	AT220831	HOSE KIT	1		
33	AT170991	O-RING KIT	2		
	U12547	O-RING	1		(INCLUDED IN AT170991 KIT)
34	VALVE	1		
35	AT209750	PRESSURE RELIEF VALVE	2		
36	PLUNGER	2		
	BUSHING	2		
37	AT179941	SEAL KIT	AR		(SEAL FOR ONE SECTION JOINT)
38	STRUCTURAL TUBING	2		
39	AT316315	SOLENOID VALVE	1		
40	T77814	O-RING	2		
41	PLUNGER	2		
42	PLUG	1		(SUB AT210686)
43	SPOOL	1		(SUB AT210686)
44	AT210686	CHECK VALVE	1		
45	R26906	O-RING	2		
46	14H856	NUT	2		1/2"
47	COMPENSATOR	4		
48	SHIM	1		(ONE SHIM ON EACH TIE-BOLT)
49	22H1022	SET SCREW	2		
50	RELIEF VALVE	2		(SUB AT220035)
51	R61463	BACK-UP RING	2		
53	AT325146	STUD	4		(TIE BOLT)
54	AT326581	MFWD SOLENOID WRG HARNESS	2		

3160-57

LOADER 31

LOADER HYDRAULICS 3160

THIRD AND FOURTH FUNCTION AUXILIARY HYDRAULICS (SN 594433-) (SEE FOOTNOTE)
CIRCUIT HYDRAULIQUE AUXILIAIRE DE TROISIEME ET QUATRIEME FONCTION (SN 594433-) (VOIR APOSTILLE)
SISTEMA HIDRAULICO AUXILIAR DE TERCERA Y CUARTA FUNCION (SN 594433-)(CONSULTE NOTA AL PIE PAGINA)

KEY	PART NO.	PART NAME	QTY.	SERIAL NO.	REMARKS
1	19M7805	SCREW	2		M10 X 45
2	38H1418	FITTING	4		
3	38H1276	ADAPTER FITTING	4		
4	T77858	O-RING	12		
5	AT191285	HYDRAULIC HOSE - FABRICATE	4		
6	AT314959	OIL LINE	1		
7	AT314960	OIL LINE	1		
8	AT314961	OIL LINE	1		
9	AT314962	OIL LINE	1		
10	AT316332	HYDRAULIC HOSE - FABRICATE	1		
11	T160549	CLAMP	2		
12	T174275	LOCK WASHER	4		
13	T78707	NUT	4		

FOR USE WITH Z-BAR LINKAGE
A UTILISER AVEC TRINGLERIE CINEMATIQUE EN Z
PARA USO CON VARILLAJE DE BARRA EN Z

3160-71

LOADER 31

LOADER HYDRAULICS 3160

FOURTH FUNCTION AUXILIARY HYDRAULICS (FOR USE WITH TOOL CARRIER AND LOG LOADER)
CIRCUIT HYDRAULIQUE AUXILIAIRE 4EME FONCTION (A UTILISER AVEC PORTE-OUTILS ET GRAPPIN A RONDINS)
SISTEMA HIDRAULICO AUXILIAR DE CUARTA FUNCION (PARA USO CON PORTAHERRAMIENTAS CARGADORA TRONCOS)

KEY	PART NO.	PART NAME	QTY.	SERIAL NO.	REMARKS
1	19M7801	SCREW	16		M8 X 60
2	T147188	CLAMP	16		
3	24M7238	WASHER	8		8.700 X 17 X 2 MM
4	AT169886	HYDRAULIC HOSE - FABRICATE	1		(SUB FOR AT167553)
5	38H1418	FITTING	4		
6	T77858	O-RING	14		
7	T78707	NUT	4		
8	T174275	LOCK WASHER	4		
9	38H1276	ADAPTER FITTING	4		
10	AT166039	HYDRAULIC HOSE - FABRICATE	4		

3160-81

LOADER 31

LOADER HYDRAULICS 3160

**JOYSTICK PILOT CONTROLLER
CONTROLEUR PILOTE MANCHE A BALAI
UNIDAD DE CONTROL PILOTO DE PALANCA**

KEY	PART NO.	PART NAME	QTY.	SERIAL NO.	REMARKS
1	21M7285	SCREW	4		M6 X 12
3	38H1160	ADAPTER FITTING	2		
4	R26448	O-RING	6		
5	T77613	O-RING	4		
6	63H1001	FITTING	4		
8	AT228703	HYDRAULIC HOSE - FABRICATE	2		
10	AT300662	PLATE	1		
11	AT315847	HYDR./PILOT CONTROL VALVE	1		(SUB FOR AT301458) (W/O FNR)
	AT315846	HYDR./PILOT CONTROL VALVE	1		(SUB FOR AT300664) (W/ FNR)
12	T203670	LABEL	1		(W/O FNR)
	T197182	LABEL	1		(W/ FNR)
13	T81029	NUT	2		
14	14M7400	LOCK NUT	2		M10
15	19M7784	SCREW	2		M10 X 20
16	19M7806	SCREW	2		M10 X 50
17	24M7239	WASHER	2		10.700 X 21 X 2.500 MM
18	TY22493	HOSE CLAMP	1		(SUB FOR AR89602)
19	AT226615	HYDRAULIC HOSE - FABRICATE	4		
20	H77698	TIE BAND	6		
21	N189220	TIE BAND	4		
22	T154342	RETAINER	1		
23	T157443	ANGLE	1		
24	57M8736	ELEC. CONNECTOR ACCESSORY	1		
25	19M7865	SCREW	1		M8 X 16
34	AT309843	WIRING HARNESS	1	-600915	(KICKDOWN HARNESS FOR CONTROLLER WITHOUT FNR) (NOT ILLUSTRATED)
..	AT305690	FIELD INSTALLATION KIT	1		(WHOLE GOODS) (TWO LEVER TO JOYSTICK CONVERSION KIT WITH FNR)
..	FIELD INSTALLATION KIT	1		(WHOLE GOODS) (AT311817 NLA) (TWO LEVER TO JOYSTICK CONVERSION KIT WITH OUT FNR)

3160-91

LOADER 31

LOADER HYDRAULICS 3160

**AUXILIARY JOYSTICK PILOT CONTROLLER COMPONENTS
COMPOSANTS CONTROLEUR PILOTE MANCHE BALAI AUXILIAIRE
COMPONENTES DE LA UNIDAD DE CONTROL PILOTO DE LA PALANCA AUXILIAR**

KEY	PART NO.	PART NAME	QTY.	SERIAL NO.	REMARKS
1	AT172629	GRIP	1		(ALSO ORDER H77698 AND AT208911)
2	AT210145	LEVER	1		
3	T170269	NUT	1		
4	AT208911	RETAINER	1		
5	T172986	NUT	1		
6	T172988	BOOT	1		
7	H77698	TIE BAND	1		
8	T172985	NUT	1		
9	T172987	SNAP RING	1		
10	PLATE	1		(AT119017 NLA)
11	RETAINER	1		(AT119378 NLA)
12	BALL	1		(AT119018 NLA)
13	HOUSING	1		(SUB AT208760) UPPER
14	T131617	RING	4		
15	RETAINER	4		(SUB AT210247)
16	SEAL	4		(SUB AT210247)
17	T102958	PLUNGER	4		
18	SPOOL	4		(SUB AT208760)
19	T131624	SPRING	4		
20	AT49216	FITTING PLUG	1		
21	R26448	O-RING	1		
22	HOUSING	1		(SUB AT208760) LOWER
23	12M7133	LOCK WASHER	4		6 MM
24	19M7966	SCREW	4		M6 X 25
25	T102961	DOWEL PIN	1		
26	SEAL	1		(SUB AT210247)
27	T102963	PIN FASTENER	1		ANTI-ROTATION
28	AT208760	ELECTRONIC CONTROL UNIT	1		
90	AT210247	SEAL KIT	1		

3160-107

LOADER 31

LOADER HYDRAULICS 3160

PIN AND AXLE DISCONNECT VALVE AND HYDRAULIC HOSES (S.N. 594433-)
FLEXIBLES HYDRAULIQUES ET SOUPE RACCORD RAPIDE AXE ET ESSIEU (S.N. 594433-)
PASADOR, VALVULA DE DESCONEJION DEL EJE Y MANGUERAS HIDRAULICAS (S.N. 594433-)

KEY	PART NO.	PART NAME	QTY.	SERIAL NO.	REMARKS
1	14M7400	LOCK NUT	2		M10
2	19M7836	SCREW	2		M10 X 110
3	24M7296	WASHER	2		10.500 X 30 X 2.500 MM
4	38H1004	ELBOW FITTING	2		
5	R26448	O-RING	9		
6	T77613	O-RING	7		
7	38H1023	TEE FITTING	1		
8	38H1160	ADAPTER FITTING	3		
9	AT167553	HYDRAULIC HOSE - FABRICATE	2		11/16" X 630 MM X 11/16"
10	AT225529	HYD ACTUATED CONTROL VALVE	1		(COMPONENTS LISTED ON ANOTHER PAGE)
11	R27218	FITTING PLUG	3		

3160-121

LOADER 31

LOADER HYDRAULICS 3160

PIN DISCONNECT HYDRAULIC LINES (FOR USE WITH POWERLLEL™ LINKAGE)
CONDUITES HYDRAULIQUES RACCORD RAPIDE AXE (A UTILISER AVEC TRINGLERIE POWERLLEL™)
LINEAS HIDRAULICAS DE DESCONEXION DEL PASADOR (PARA USO CON VARILLAJE POWERLLEL™)

KEY	PART NO.	PART NAME	QTY.	SERIAL NO.	REMARKS
1	14M7400	LOCK NUT	3		M10
2	19M7812	SCREW	2		M10 X 100
3	19M7786	SCREW	3		M10 X 30
4	19M7804	SCREW	1		M10 X 40
5	24M7296	WASHER	1		10.500 X 30 X 2.500 MM
6	38H1416	FITTING	2		
7	38H1173	ADAPTER FITTING	2		
8	AT315926	OIL LINE	1		
9	AT315927	OIL LINE	1		
10	AT315831	OIL LINE	1		
11	AT315832	OIL LINE	1		
12	AT316050	HYDRAULIC HOSE - FABRICATE	2		
13	38H1004	ELBOW FITTING	2		
14	T159950	CLAMP	4		
15	T159956	CLAMP	1		
16	T77613	O-RING	5		
17	T77857	O-RING	8		
18	R26448	O-RING	3		
19	38H1023	TEE FITTING	1		
20	38H1160	ADAPTER FITTING	1		
21	AT167553	HYDRAULIC HOSE - FABRICATE	2		
22	AT225530	HYD ACTUATED CONTROL VALVE	1		(COMPONENTS LISTED ON ANOTHER PAGE)
23	AT314615	KIT	1		(WHOLE GOODS)

3165-3

LOADER 31

HYDRAULIC CYLINDERS 3165

LOADER BUCKET AND BOOM CYLINDER PINS AND FITTINGS
AXES ET RACCORDS DE VERIN DE BENNE ET DE FLECHE DE CHARGEUR
CUCHARON DE CARGADORA Y PASADORES DEL CILINDRO DEL AGUILON Y ADAPTADORES

KEY	PART NO.	PART NAME	QTY.	SERIAL NO.	REMARKS
1	R44302	TIE BAND	2		
2	JD7781	LUBRICATION FITTING	1		
3	T157277	SEAL	4		
4	U12547	O-RING	4		
5	38H1007	ELBOW FITTING	1		
6	T77858	O-RING	1		
7	T56112	ELBOW FITTING	1		
8	AT103107	HYDRAULIC HOSE	1		
12	JD7763	LUBRICATION FITTING	2		
13	AT207052	PIN	2		
14	T102171	WASHER	6		
15	19M7489	CAP SCREW	2		M16 X 45
16	T176064	BUSHING	2		
17	T77932	O-RING	2		
18	38H1006	ELBOW FITTING	2		
19	R26906	O-RING	2		
20	T76938	O-RING	3		
21	38H1305	ELBOW FITTING	3		
22	TH100374	SEAL	4		

3165-13

LOADER 31

HYDRAULIC CYLINDERS 3165

TOOL CARRIER TILT CYLINDER
VERIN INCLINAISON PORTE-OUTILS
CILINDRO DEL INCLINACION DEL PORTAHERRAMIENTAS

KEY	PART NO.	PART NAME	QTY.	SERIAL NO.	REMARKS
1	AH153921	HYDRAULIC CYLINDER	1		
2	AH138082	SEAL	1		
3	AH150932	SEAL	1		
4	AH150933	SEAL	1		
5	AH153923	HYDRAULIC CYLINDER BARREL	1		
6	AH158823	HYDRAULIC CYLINDER ROD	1		
7	H155147	BUSHING	1		
8	H180431	NUT	1		
9	H155540	BACK-UP RING	1		
10	H155543	SCRAPER RING	1		
11	H155561	NUT	1		
12	SEAL	1		(SUB AH212585)
13	SEAL	1		(SUB AH212585)
14	SEAL	1		(SUB AH212585)
15	H158436	SEAL	1		
16	H158437	WEAR RING	1		
17	SEAL	1		(SUB AH156466)
18	SEAL	1		(SUB AH156466)
19	H160456	PISTON	1		
20	H173652	HYDR. CYLINDER ROD GUIDE	1		
21	T41356	O-RING	1		
22	AH212585	HYDRAULIC CYLINDER KIT	1		(BORE KIT)
23	AH156466	HYDRAULIC CYLINDER KIT	1		(ROD SEAL KIT)

3166-5

LOADER 31

AUTOMATIC CONTROL FUNCTION 3166

LOADER BOOM KICK OUT / RETURN TO CARRY SENSOR
CAPTEUR DESENGAGEMENT / RETOUR EN POSITION TRANSPORT FLECHE CHARGEUR
SENSOR DE DESENGANCHE DE ALTURA DEL AGUILON DE CARGADORA / RETORNO A POSICION DE ACARREO

KEY	PART NO.	PART NAME	QTY.	SERIAL NO.	REMARKS
1	AT227530	BRACKET	1		
2	RE56165	POTENTIOMETER	1		
3	AT332233	ACTUATOR	1		(SUB FOR AT227531)
4	T82861	BUSHING	1		
5	AT226542	BRACKET	1		
6	R72653	SNAP RING	1		
7	R86457	SUPPORT	1		
8	24M7239	WASHER	5		10.700 X 21 X 2.500 MM (0.421" X 0.827" X 0.098")
9	T195210	TORSION SPRING	1		
10	19M7785	SCREW	2		M10 X 25
11	19M8834	CAP SCREW	2		M5 X 45
12	24M7027	WASHER	2		5.300 X 10 X 1 MM (0.209" X 0.394" X 0.039")
13	14M7360	LOCK NUT	2		M5
14	AT45678	CAM FOLLOWER	1		
15	R11151	LOCK NUT	1		7.925 MM (5/16")
16	T197144	BUSHING	1		
17	14M7296	FLANGE NUT	4		M10
18	19M7806	SCREW	1		M10 X 50
19	14M7400	LOCK NUT	1		M10
20	A4365R	O-RING	3		6.071 X 1.778 MM (0.239" X 0.070")
21	P48347	O-RING	2		17.120 X 2.616 MM (0.674" X 0.103") (NOT ILLUSTRATED)

00II-1

544J UTILITY LOADER (S.N. -611799)

NUMERICAL INDEX

PART NO.	KEY	PAGE	PART NO.	KEY	PAGE	PART NO.	KEY	PAGE
AA21292	2	1520-3	AH165079	29B	0560-3	AR21837	1	1369-3
AA21292	4	1913-2	AH165080	27B	0560-3	AR21837	5	1746-3
AA21292	10	1927-9	AH170895	19	0510-3	AR21839	3	0360-3
AH108055	37	1060-3	AH170895	38	0510-3B	AR21839	3	0360-5
AH121227	9	1810-7	AH170895	23A	2160-7	AR21839	18	0510-3
AH125760	10	2160-11	AH170895	23B	2160-7	AR21839	20	0510-7
AH138082	2	3165-13	AH172986	1	3165-7	AR21839	24	0510-9
AH138083	2	3165-5	AH206281	1	3165-5	AR21839	7	0560-3
AH138291	2	1672-5	AH208215	20	3165-17	AR21839	20	2160-7
AH142159	10	3104-15	AH208222	2	3165-17	AR21839	5	2160-13
AH142159	13	3104-17	AH208337	5	3165-5	AR21840	8	0560-3
AH142159	9	3104-19	AH209027	21	3165-19	AR21999	4	0505-3
AH144020	3	1830-5	AH211316	17	0960-11	AR21999	19	0510-3
AH146559	3	3165-5	AH211379	1	0960-11	AR48236	21	0510-3
AH146559	2	3165-11	AH211575	2	3165-19	AR50411	1	0505-6
AH146559	6	3165-17	AH212087	18	0960-11	AR62492	7	0505-6
AH146563	4	3165-5	AH212088	15	3104-15	AR62936	5	3160-117
AH146563	3	3165-11	AH212088	14	3104-17	AR62936	8	3160-123
AH146563	13	3165-17	AH212348	6	3165-5	AR65507	9	0403-2
AH147740	10	0960-11	AH212349	9A	3104-7	AR85327	18	0520-3
AH148608	7	0960-11	AH212349	10A	3104-9	AR85327	2	1746-6
AH148823	14	3104-15	AH212349	16	3104-15	AR85327	7	3160-49
AH148823	15	3104-17	AH212350	13	3104-15	AR85327	10	3160-49
AH149004	4	3165-11	AH212585	12	3165-13	AR85327	7	3160-51
AH149005	5	3165-11	AH212585	13	3165-13	AR85327	9	3160-61
AH149194	5	0960-11	AH212585	14	3165-13	AR85327	31	3160-67
AH149815	11	3165-5	AH212585	22	3165-13	AR85519	13	0420-5
AH149815	12	3165-5	AH214857	7	3165-17	AR89602	7	3160-49
AH149815	24	3165-5	AH215586	4	3165-19	AR89602	8	3160-51
AH149815	12	3165-11	AH216299	19	3165-19	AR89602	26	3160-67
AH149815	13	3165-11	AH217541	9B	3104-7	AR89602	17	3160-73
AH149815	24	3165-11	AH217541	10	3104-7	AR89602	17	3160-77
AH149815	18	3165-17	AH217541	10B	3104-9	AR89602	18	3160-81
AH149847	13	3165-5	AH217541	11	3104-9	AR89602	26	3160-85
AH149847	14	3165-5	AH217541	16	3104-17	AR89602	29	3160-89
AH149847	15	3165-5	AH222122	5	3104-11	AR91896	7	1810-3
AH149847	17	3165-5	AH222122	5	3104-13	AT103107	8	3165-3
AH149847	18	3165-5	AH222122	13	3104-19	AT103440	2	3160-35
AH149847	23	3165-5	AH224521	2	3165-19	AT103919	5	1810-38
AH149848	23	3165-7	AH225345	21	3165-19	AT104051	2	3160-35
AH150453	6	0960-11	AH64349	17	2160-7	AT105438	..	3160-11
AH150932	3	3165-13	AH75159	16	0510-3	AT105438	1	3160-21
AH150933	4	3165-13	AH75162	4	0360-5	AT106365	5	1810-25
AH151896	2	3165-7	AH75162	17	0510-3	AT106413	24	0510-3
AH152445	18	3165-19	AH75162	18	2160-7	AT116114	19	0930-3
AH152446	1	3165-19	AH77869	6	1671-3	AT116162	6	1060-7
AH153596	3	3165-7	AH89557	7	1674-3	AT116162	9	1810-51
AH153597	4	3165-7	AH89557	5	1674-5	AT116373	44	0930-3
AH153597	5	3165-7	AH89557	7	1674-5B	AT116970	5	1810-27
AH153597	6	3165-7	AH96708	15	0510-7	AT116970	6	1810-29
AH153771	7	3165-7	AH96708	19	0510-9	AT119017	10	3160-91
AH153921	1	3165-13	AH97280	6	1673-3	AT119018	12	3160-91
AH153923	5	3165-13	AH97280	9	1830-13	AT119378	11	3160-91
AH154570	24	3165-7	AL153660	3	1810-29	AT120461	1	1810-36
AH156466	17	3165-13	AL76568	1	1674-11	AT124574	7	3160-33
AH156466	18	3165-13	AL76568	24	1830-3	AT124574	4	3160-35
AH156466	23	3165-13	AL76568	6	1830-7	AT124574	28	3160-45
AH156874	20	3165-19	AM39653	19	2160-7	AT124574	28	3160-47
AH158823	6	3165-13	AN207183	8	3160-96	AT129526	12	0360-5
AH159448	11B	0560-3	AN207184	8	3160-96	AT133204	8	1740-3
AH162914	33	0560-3	AP22660	9	1674-7	AT133204	11	3140-7
AH163629	1	3165-11	AR104516	23	2001-7	AT135758	12	1673-3
AH163671	18	3165-11	AR104516	23	2001-7B	AT135758	15	1673-3B
AH163671	19	3165-11	AR104650	19	0420-5	AT135758	3	1673-4
AH163671	20	3165-11	AR21836	4	0360-3	AT13740	4	0403-4
AH163671	23	3165-11	AR21836	6	1060-11	AT13740	22	0510-3
AH163671	19	3165-17	AR21837	7	1060-11	AT137920	7	1810-27

00II-11

544J UTILITY LOADER (S.N. -611799)

NUMERICAL INDEX - CONTINUED

PART NO.	KEY	PAGE	PART NO.	KEY	PAGE	PART NO.	KEY	PAGE
RE168454	21	2001-7	RE48786	16	0413-3	RE515978	2	0417-3
RE168454	21	2001-7B	RE48838	14	1810-15	RE515978	28	0417-3
RE16879	1	1810-27	RE500250	12	0360-3	RE516340	9	0401-2
RE174764	11	1830-5	RE500398	2	0433-1	RE516340	22	0417-3
RE179976	31	0560-3	RE500576	12	0420-5	RE516340	19	0452-3
RE190139	13	2001-7	RE500608	3	0403-2	RE51649	15	0420-3
RE190139	13	2001-7B	RE500612	3	0407-5	RE51649	18	0420-3
RE190139	16	2001-7D	RE500614	3	0407-5	RE51650	10	0420-3
RE190140	13	2001-7	RE501060	7	0422-3	RE516510	1	0420-5
RE190140	13	2001-7B	RE501150	4	0422-3	RE516512	17	0420-3
RE190140	16	2001-7D	RE501150	7	0422-3	RE516553	17	0420-3
RE190141	13	2001-7	RE501150	15	0422-3	RE517180	9	0420-3
RE190141	13	2001-7B	RE502669	21	0505-5	RE517180	10	0420-3
RE194040	12	0560-3	RE503027	5	0402-2	RE517370	26	0417-3
RE19797	7	0413-3	RE503211	7	0416-1	RE518088	12	0413-3
RE19800	9	0413-3	RE504122	3	0505-6	RE518527	3	0404-3
RE198074	3	1830-5	RE504122	4	0505-6	RE518527	1	0450-3
RE20809	21	3165-11	RE504233	5	0421-2	RE519144	31	0417-3
RE20809	5	3165-17	RE504543	4	0407-8	RE519144	4	0578-1
RE20901	8	0413-3	RE504562	3	0407-8	RE519775	36	1674-7
RE224279	27A	0560-3	RE504638	3	0401-2	RE520229	4	1830-17
RE227949	7	0505-6	RE504836	6	0407-8	RE52034	20	0510-3
RE227953	13	2001-7	RE504914	2	0407-6	RE520540	6	0402-2
RE227953	13	2001-7B	RE504914	3	0407-6	RE521560	2	0416-1
RE227953	16	2001-7D	RE504914	4	0407-6	RE521561	2	0416-1
RE234193	27B	0560-3	RE504914	5	0407-6	RE521822	12	0413-3
RE24391	25	0510-3	RE504914	6	0407-6	RE521823	12	0413-3
RE24468	41	1060-3	RE505264	2	0429-1	RE521824	12	0413-3
RE25102	10	3165-19	RE505264	18	1672-3	RE521825	12	0413-3
RE27205	2	0960-11	RE505264	16	1672-7	RE522076	3	0418-3
RE30162	19	3165-7	RE505501	26	0404-3	RE522109	12	0413-3
RE30162	20	3165-7	RE505501	27	0417-3	RE52242	1	0407-8
RE30162	21	3165-7	RE505515	9	0401-2	RE522529	36	1674-7
RE30162	22	3165-7	RE505515	19	0452-3	RE522821	2	0419-3
RE31617	13	0409-3	RE505981	10	0417-3	RE52346	9	0401-2
RE35704	42	1060-3	RE506380	1	0417-3	RE52346	19	0452-3
RE36133	18	1830-5	RE506380	14	0417-3	RE523460	1	0417-3
RE36133	46	1830-5	RE507149	1	0404-1	RE523460	14	0417-3
RE36133	14	1830-9	RE507598	2	0420-5	RE52454	16	1830-13
RE36133	39	1830-9	RE507609	10	0403-2	RE524676	3	0505-6
RE38310	56	2160-7	RE507766	13	0413-3	RE524676	4	0505-6
RE40049	2	1810-27	RE507850	7	0403-2	RE52504	22	0560-3
RE40049	5	1810-29	RE507850	8	0403-2	RE52506	17	1830-13
RE43497	6	1674-11	RE507850	10	0403-2	RE52507	22	1830-13
RE43497	19	1830-7	RE507852	6	0403-2	RE52508	19	1830-13
RE43637	3	0260-19	RE507950	5	0407-5	RE52509	22	1830-13
RE44574	6	0401-2	RE507950	7	1369-3	RE526673	12	0452-4
RE44574	3	0433-2	RE508185	22	0404-3	RE526673	17	0452-4
RE44574	18	0452-3	RE508317	9	0402-3	RE526834	4	0420-3
RE45312	1	0210-3	RE508566	13	0417-3	RE526834	14	0420-3
RE45312	10	0210-25	RE508716	15	0413-3	RE526834	15	0420-3
RE46534	1	0260-19	RE508847	4	0420-3	RE526834	18	0420-3
RE46684	6	0210-7	RE509032	13	0420-3	RE526965	31	0452-3
RE46684	4	0210-9	RE509036	9	0420-3	RE526966	10	0403-2
RE46684	6	0210-11	RE509036	10	0420-3	RE52702	50B	2160-7
RE46684	6	0210-13	RE509540	10	0403-2	RE52702	21	2160-13
RE46684	6	0210-26	RE509794	14	0420-3	RE52702	22	2160-13
RE46684	23	0260-15	RE51234	1	1673-5	RE52722	12	0418-3
RE46684	7	0418-3	RE515228	1	0413-3	RE52722	3	0578-1
RE46684	12	0418-3	RE515229	2	0413-3	RE527324	1	0450-5
RE46685	9	0417-3	RE515230	3	0413-3	RE531116	13	0413-3
RE46685	7	0419-3	RE515231	4	0413-3	RE54885	12	0416-1
RE46686	6	0419-3	RE515232	5	0413-3	RE55423	21	1830-13
RE46686	6	0420-3	RE515233	6	0413-3	RE55512	10	0403-2
RE46686	9	0420-5	RE515314	29	0417-3	RE56098	20	0510-3
RE46742	25	1830-3	RE515512	8	0420-5	RE56098	42	0510-3B
RE46742	20	1830-7	RE515815	2	0420-5	RE56109	22	1810-49

CLICK HERE TO **DOWNLOAD** THE COMPLETE MANUAL

- Thank you very much for reading the preview of the manual.
- You can download the complete manual from: www.heydownloads.com by clicking the link below



- Please note: If there is no response to CLICKING the link, please download this PDF first and then click on it.

CLICK HERE TO **DOWNLOAD** THE COMPLETE MANUAL