

1A2

4050, 4250 AND 4450 TRACTORS

RWP3467 -UN-01JAN94



RWP3468 -UN-01JAN94



JOHN DEERE 4050, 4250, OR 4450 TRACTOR

(SPECIFICATIONS AND DESIGN SUBJECT TO CHANGE WITHOUT NOTICE)

COPYRIGHT (C) 1990. DEERE & COMPANY, MOLINE, ILLINOIS. ALL RIGHTS RESERVED.

CLICK HERE TO **DOWNLOAD** THE COMPLETE MANUAL

- Thank you very much for reading the preview of the manual.
- You can download the complete manual from: www.heydownloads.com by clicking the link below



- Please note: If there is no response to CLICKING the link, please download this PDF first and then click on it.

CLICK HERE TO **DOWNLOAD** THE COMPLETE MANUAL

1A14

4050, 4250 AND 4450 TRACTORS

ALPHABETICAL INDEX

GRID		PAGE	GRID		PAGE
	A				
3C1	A/C CLUTCH TIMER	40-10	3E14	ALTERNATOR BRUSHES	40-72
3C1	A/C LOW PRESSURE SWITCH	40-10	3E12	ALTERNATOR FAN	40-70
8D3	ABSORBER, SHOCK, SEAT SUPPORT.....	90-40	3E14	ALTERNATOR FAN	40-72
5H11	ACCUMULATOR PRESSURE LINE	60-46	3E12	ALTERNATOR PARTS.....	40-70
5H13	ACCUMULATOR PRESSURE LINE	60-48	3H1	AM FENDER MOUNT RADIO	40-136
5H17	ACCUMULATOR, BRAKE	60-52	3H3	AM RADIO	40-138
5H19	ACCUMULATOR, BRAKE	60-54	3H3	AM-FM PUSH-BUTTON RADIO.....	40-138
8E1	ACCUMULATOR, SEAT (SGB)	90-62	3H1	AM-FM STEREO FENDER MOUNT RADIO.....	40-136
8E3	ACCUMULATOR, SEAT AND BRACKET (NOT USED IN U.S. AND CANADA)	90-64	3G24	ANALOG TACHOMETER.....	40-134
5G22	ACCUMULATOR, STEERING (GERMANY)	60-32	2D20	ANEROID (6466TR)	30-58
5G24	ACCUMULATOR, STEERING (GERMANY)	60-34	2E8	ANEROID ACTIVATOR, HYDRAULIC (NIPPONDENSO) (6466TR)	30-69
5G24	ACCUMULATOR, STEERING (ITALY)	60-34	2E1	ANEROID ACTIVATOR, HYDRAULIC (ROBERT BOSCH) (6466TR)	30-64
4H6	ACCUMULATOR, TRANS. CONTROL VALVE (PST)	50-144	2E16	ANEROID CONTROL (6466TR).....	30-77
4H8	ACCUMULATOR, TRANS. CONTROL VALVE (PST)	50-146	3H5	ANTENNA KIT, RADIO.....	40-140
1C18	ADAPTER, CLUTCH SHAFT (6466)	20-31	3H1	ANTENNA, FENDER MOUNT RADIO.....	40-136
2C16	ADAPTER, COLD WEATHER STARTING AID.....	30-31	5E21	ARM STEERING (MFWD)	56-26
2C14	ADAPTER, STARTING AID (ELECTRIC)	30-28	5E19	ARM STEERING (ZFMFWD)	56-24
8H25	ADHESIVE SEALANT, LOCTITE.....	90-167	4G9	ARM, CLUTCH CONTROL, INNER (PST)	50-120
8E25	ADJUSTABLE MOUNT KIT	90-89	4G9	ARM, CLUTCH VALVE OPERATING	50-120
8D22	ADJUSTER, SEAT, HYDRACUSHIONED.....	90-59	4G19	ARM, FORWARD/REVERSE (PST)	50-132
8C7	AIR CIRCULATION PRESSURIZER BLOWER (SGB)	90-18	4D13	ARM, GEAR SHIFTER SHAFT (QRT)	50-49
2B17	AIR CLEANER	30-4	6D17	ARM, LOAD CONTROL (PST)	70-51
2B19	AIR CLEANER	30-6	6D16	ARM, LOAD CONTROL (QRT)	70-50
2F5	AIR CLEANER (6359TR)	35-4	6D20	ARM, LOAD SELECTOR CONTROL.....	70-54
2B14	AIR CLEANER ELEMENT GUN	30-1	4G13	ARM, PTO CLUTCH CONTROL (PST).....	50-125
2B19	AIR CLEANER VACUUM SWITCH	30-6	4D12	ARM, RANGE SHIFTER SHAFT (QRT)	50-48
2B23	AIR CLEANER VACUUM SWITCH	30-10	6I1	ARM, REMOTE CYLINDER TRANSPORT	70-148
2F5	AIR CLEANER VACUUM SWITCH (6359TR).....	35-4	6D12	ARM, ROCKSHAFT	70-46
2B15	AIR CLEANER, DRY	30-2	6D20	ARM, ROCKSHAFT CONTROL.....	70-54
3F25	AIR CONDITIONING CLUTCH TIMER	40-110	6E1	ARM, ROCKSHAFT LIFT	70-60
3G1	AIR CONDITIONING CLUTCH TIMER REPLACEMENT KIT	40-111	4G19	ARM, SPEED SELECTOR (PST)	50-132
8B19	AIR CONDITIONING COMPRESSOR.....	90-6	5G13	ARM, STEERING	60-22
8B15	AIR CONDITIONING COMPRESSOR BELT (6466).....	90-2	5F10	ARM, STEERING (JDMFWD)	56-40
8B16	AIR CONDITIONING COMPRESSOR BRACKET (6359)	90-3	5G16	ARM, STEERING (MFWD).....	60-26
8B15	AIR CONDITIONING COMPRESSOR BRACKET (6466)	90-2	7B16	ARM, STEERING ADJUSTABLE FRONT AXLE.....	80-4
8B17	AIR CONDITIONING COMPRESSOR PARTS	90-4	5G18	ARM, STEERING SPINDLE	60-28
6C3	AIR CONDITIONING CONDENSER	70-12	3E18	ARMATURE, STARTER (6466)	40-77
6C5	AIR CONDITIONING CONDENSER	70-14	8D8	ARMREST, SEAT (SOUND-GARD BODY).....	90-44
8B23	AIR CONDITIONING LINES.....	90-10	1B24	ARMS, ROCKER (6466DR)	20-12
8C1	AIR CONDITIONING LINES.....	90-12	1B25	ARMS, ROCKER (6466TR)	20-13
2B23	AIR INTAKE PIPE	30-10	8G19	ASH TRAY, SOUND-GARD BODY	90-134
8C3	AIR LOUVER	90-14	8G20	ASH TRAY, SOUND-GARD BODY	90-135
8C4	AIR LOUVER	90-15	6D3	ATTENUATOR, HYDRAULIC OIL	70-39
8C3	AIR LOUVER PANEL	90-14	6H17	AUXILIARY HYDRAULIC OUTLET KIT.....	70-139
8C4	AIR LOUVER PANEL	90-15	6H16	AUXILIARY OUTLET COUPLER KIT	70-138
2B21	AIR STACK.....	30-8	5C11	AXLE BEARING AND SEAL KIT (4050)	51-22
2B22	AIR STACK.....	30-9	5C12	AXLE BEARING AND SEAL KIT (4050/4250)	51-23
2B22	AIR STACK CAP	30-9	5C13	AXLE BEARING AND SEAL KIT (4450)	51-24
6I17	AIR-CONDITIONING O-RING KIT	70-165	5C9	AXLE BEARING GREASE KIT	51-20
7B13	AJUSTABLE TREAD FRONT AXLE	80-1	5F1	AXLE HOUSING, FRONT (JDMFWD).....	56-30
3G4	ALARM, BACK-UP (HORN)	40-113	5C1	AXLE HOUSING, REAR (86MM AXLE) (4050)	51-13A
3E10	ALTERNATOR	40-68	5C3	AXLE HOUSING, REAR (86MM AXLE) (4050/4250).....	51-14
3E14	ALTERNATOR	40-72	5C5	AXLE HOUSING, REAR (86MM) (4250E).....	51-16
3E10	ALTERNATOR ADJUSTING STRAP	40-68	5C7	AXLE HOUSING, REAR (92MM AXLE) (4450).....	51-18
3E8	ALTERNATOR ADJUSTING STRAP (6359 TR)	40-66	5F3	AXLE SHAFT (JDMFWD).....	56-32
3E9	ALTERNATOR ADJUSTING STRAP (6359TR).....	40-67	5C14	AXLE SHAFT GUARD, REAR (GERMANY)	51-25
3E10	ALTERNATOR BELTS	40-68	7B13	AXLE, ADJUSTABLE TREAD FRONT	80-1
3E10	ALTERNATOR BRACKET	40-68	5E9	AXLE, FRONT HOUSING (ZFMFWD).....	56-14
3E8	ALTERNATOR BRACKETS (6359 TR)	40-66	5C5	AXLE, REAR SHAFT (86MM) (4250E)	51-16
3E9	ALTERNATOR BRACKETS (6359TR).....	40-67	5C1	AXLE, REAR, SHAFT (86MM) (4050).....	51-13A
3E12	ALTERNATOR BRUSHES	40-70	5C3	AXLE, REAR, SHAFT (86MM) (4050/4250)	51-14
			5C7	AXLE, REAR, SHAFT (92MM) (4450).....	51-18
			5E11	AXLE, SHAFT FRONT (ZFMFWD)	56-16

1B1

4050, 4250 AND 4450 TRACTORS

ALPHABETICAL INDEX - CONTINUED

GRID	PAGE	GRID	PAGE			
4E16	LUBE RELIEF VALVE AND MANIFOLD (PST)	50-76	5G13	MOTOR, STEERING	60-22	
1B15	LUBRICANT, CYLINDER LINER PACKING	20-2	5G18	MOTOR, STEERING	60-28	
1B15	LUBRICANT, ENGINE VALVE STEM	20-2	5G16	MOTOR, STEERING (MFWD)	60-26	
5F12	LUBRICANT, GL5, (MFWD).....	56-42	3H11	MOTOR, WINDSHIELD WIPER (L.H.)	40-146	
M						
1D1	MAGNETIC PICK-UP	20-39	3H14	MOTOR, WINDSHIELD WIPER, R.H.	40-150	
1C21	MAIN BEARING (6466)	20-34	3H22	MOTOR, WINDSHIELD WIPER, REAR.....	40-159	
1F4	MAIN BEARINGS (6359TR).....	25-20	8B15	MOUNTING BRACKETS, COMPRESSOR (6466)	90-2	
3E19	MAIN FRAME, STARTER	40-78	7D14	MOUNTING HANDLE (HI-CROP)	80-49	
1C21	MAIN THRUST BEARING (6466)	20-34	8E23	MOUNTS, SOUND-GARD BODY	90-86	
4E12	MANIFOLD, CLUTCH OIL (PST).....	50-72	2C12	MUFFLER	30-26	
2F9	MANIFOLD, EXHAUST (6359TR)	35-9	2C13	MUFFLER	30-27	
2C8	MANIFOLD, EXHAUST (6466DR)	30-20	2C13	MUFFLER EXTENSION	30-27	
2C9	MANIFOLD, EXHAUST (6466DR)	30-22	3G15	MULTI-FUNCTION MONITOR AND WIRING HARNESS (PERFORMANCE TRAK III)	40-124	
2F2	MANIFOLD, INTAKE (6359TR)	35-1	N			
2B24	MANIFOLD, INTAKE (6466DR)	30-11	1F1	NECK, OIL FILLER (6359TR)	25-17	
2B25	MANIFOLD, INTAKE (6466TR)	30-12	4G23	NEUTRAL START SWITCH (PST)	50-136	
2C1	MANIFOLD, INTAKE (6466TR)	30-13	4D12	NEUTRAL START SWITCH (QRT)	50-48	
6C17	MANIFOLD, RETURN OIL	70-26	3I8	NEUTRAL START SWITCH ADJ. KIT.....	40-170	
8E12	MANIFOLD, SEAT POSITION VALVE	90-74	3I8	NEUTRAL START SWITCH KIT	40-170	
4E16	MANIFOLD, TRANSMISSION LUBE (PST)	50-76	8B17	NIPPONDENSO COMPRESSOR PARTS	90-4	
1E3	MANIFOLD, WATER OUTLET (6466).....	20-66	8C7	NOISE FILTER CAPACITOR, BLOWER MOTOR	90-18	
1E4	MANIFOLD, WATER, FRONT MOUNTED (6466)	20-67	2F19	NOZZLE, FUEL INJECTION (6359TR)	35-20	
2C11	MANIFOLDS, EXHAUST (6466TR)	30-25	2D14	NOZZLE, FUEL INJECTION (6466DR)	30-52	
8G17	MAT, FLOOR	90-132	2E11	NOZZLE, FUEL INJECTION (6466TR)	30-72	
8F22	METAL TRIM, SOUND-GARD BODY	90-112	2E13	NOZZLE, FUEL INJECTION (6466TR)	30-74	
5C19	MFWD CLUTCH AND SHAFT	51-30	2E14	NOZZLE, FUEL INJECTION (6466TR)	30-75	
5D6	MFWD CLUTCH ASSEMBLY (PST)	51-41	2D9	NOZZLES, FUEL INJECTION (6466DR).....	30-46	
5D1	MFWD CLUTCH BEARING QUILL (QRT).....	51-36	2D16	NOZZLES, FUEL INJECTION (6466TR)	30-54	
5D5	MFWD CLUTCH INSTALLATION KIT	51-40	O			
5D13	MFWD CLUTCH PRESSURE LINE.....	51-46	6I17	O-RING KIT	70-165	
5D11	MFWD DRIVE TRAIN.....	51-44	5H8	O-RING KIT, BRAKE VALVE	60-43	
5F12	MFWD GEAR LUBRICANT, GL5.....	56-42	6D3	OIL ATTENUATOR, HYDRAULIC	70-39	
5D11	MFWD IDLER AND DRIVER SHAFTS	51-44	1D4	OIL COOLER BYPASS VALVE (6466AR)	20-42	
4C7	MFWD INTERMEDIATE SHAFT (QRT) (MFWD)	50-16	1D7	OIL COOLER, ENGINE	20-46	
5D1	MFWD SHAFT (QRT).....	51-36	1F12	OIL COOLER, ENGINE (6359TR)	25-28	
5D7	MFWD SOLENOID	51-42A	1D6	OIL COOLER, ENGINE (6466TR)	20-45	
5D10	MFWD SOLENOID (POWER SHIFT)	51-43	1F1	OIL FILLER NECK (6359TR)	25-17	
5D8	MFWD SOLENOID VALVE	51-42B	1E18	OIL FILTER (6359TR)	25-9	
5G16	MFWD STEERING MOTOR.....	60-26	4H15	OIL FILTER ELEMENT AND COVER (PST).....	50-154	
5C23	MFWD, CLUTCH (QRT).....	51-34	4D22	OIL FILTER ELEMENT AND COVER (QRT)	50-58	
5G20	MFWD, STEERING CYLINDER.....	60-30	1D5	OIL FILTER HOUSING (6466).....	20-43	
5G11	MIDDLE STEERING LINES	60-20	6C23	OIL FILTER HOUSING, OUTER RETURN (QRT)	70-33	
3G13	MINI-MONITOR, (PERFORMANCE TRAK II)	40-122	1D5	OIL FILTER, ENGINE (6466).....	20-43	
8G22	MIRROR KIT, REAR VIEW	90-137	6C24	OIL FILTER, HYDRAULIC (QRT)	70-34	
8G21	MIRROR, REAR VIEW.....	90-136	6I3	OIL LINES, HYDRAULIC, IMPLEMENT	70-151	
8G23	MIRROR, REAR VIEW.....	90-138	5G11	OIL LINES, MIDDLE STEERING	60-20	
8H3	MIRROR, REAR VIEW (INSIDE).....	90-144	5G1	OIL LINES, REAR STEERING.....	60-12	
8H4	MIRROR, REAR VIEW (OUTSIDE).....	90-145	5G5	OIL LINES, STEERING FRONT	60-16	
8G24	MIRROR, TELESCOPING REAR VIEW	90-140	5G7	OIL LINES, STEERING FRONT (MFWD)	60-17A	
4H4	MODULATING VALVE HOUSING HARDWARE (PST)	50-142	5G9	OIL LINES, STEERING FRONT (MFWD)	60-18	
4H3	MODULATING VALVES AND HOUSING (PST)	50-141	5G3	OIL LINES, STEERING FRONT (4050)	60-14	
8F24	MOLDING, GLASS, SOUND-GARD BODY	90-114	1C13	OIL PAN	20-26	
8G3	MOLDING, SOUND-GARD BODY WINDOW	90-118	1F14	OIL PAN (6359TR)	25-30	
8G5	MOLDING, SOUND-GARD BODY WINDOW	90-120	1C15	OIL PAN REPLACEMENT KIT (6466DR,TR)	20-28	
3G22	MONITOR, INVESTIGATOR II.....	40-132	1C14	OIL PAN, HI-CROP (6466)	20-27	
3G13	MONITOR, MINI (PERFORMANCE TRAK II)	40-122	2C6	OIL PIPES, TURBOCHARGER (6466TR)	30-18	
3G15	MONITOR, MULTI-FUNCTION AND WIRING HARNESS (PERFORMANCE TRAK III)	40-124	3G20	OIL PRESSURE GAUGE	40-130	
8H18	MONITOR, SMU	90-160	3G22	OIL PRESSURE GAUGE, ENGINE.....	40-132	
8F18	MOTOR COVER, WINDSHIELD WIPER.....	90-108	1C3	OIL PRESSURE SENDER.....	20-16	
8C7	MOTOR, PRESSURIZER BLOWER	90-18	1C17	OIL PUMP DRIVE GEAR.....	20-30	
3E17	MOTOR, STARTING.....	40-76				

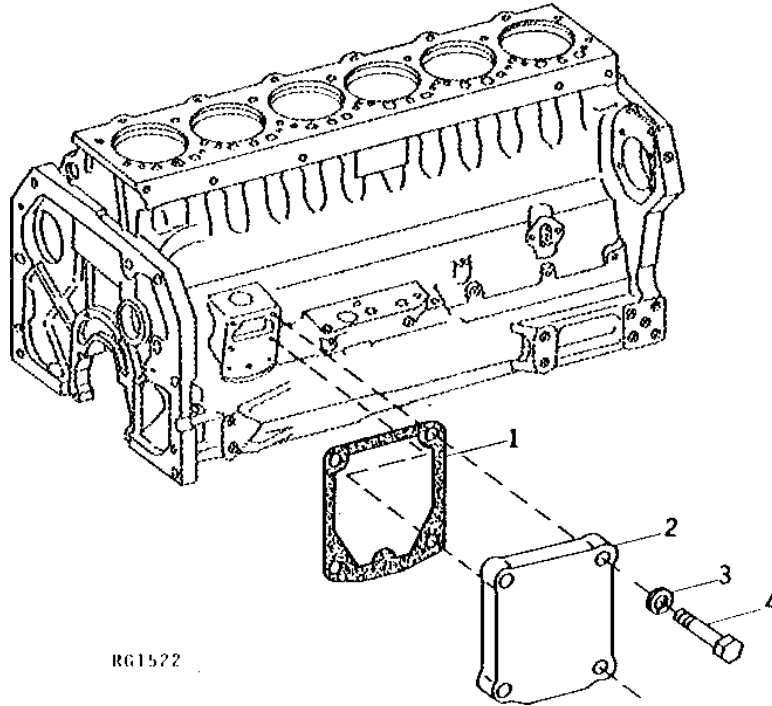
MEMORANDA

1C2

(6466) ENGINE

TACHOMETER DRIVE GEAR COVER

(6466)
RG1522 -UN-01JAN94



4 4 4
0 2 4
5 5 5
0 0 0

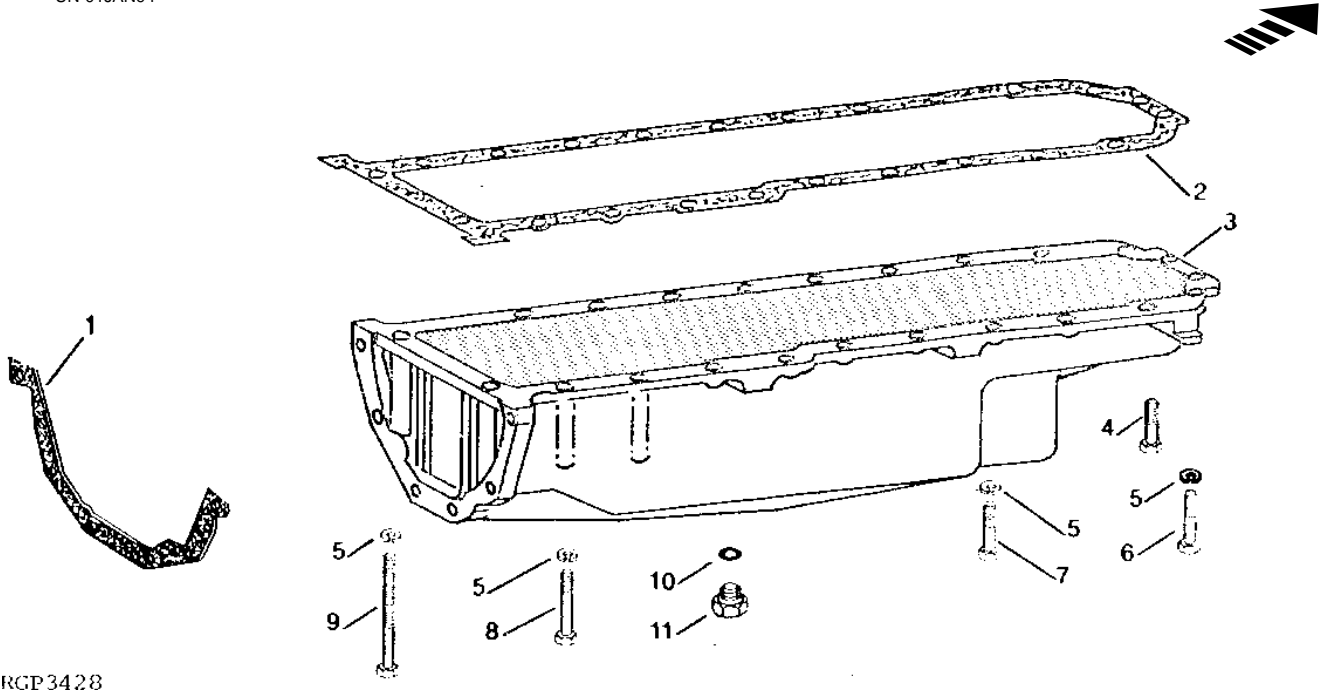
KEY	PART NO.	PART NAME	QTY	ENGINE SERIAL NO.	REMARKS
1	R62410	GASKET	1	X X X	
2	R69135	COVER	1	X X X	
3	12H304	LOCK WASHER	4	X X X	3/8"
4	19H2284	CAP SCREW	4	X X X	3/8" X 7/8"

1C14

(6466) ENGINE

OIL PAN
(HI-CROP)
(6466)

RGP3428 -UN-01JAN94



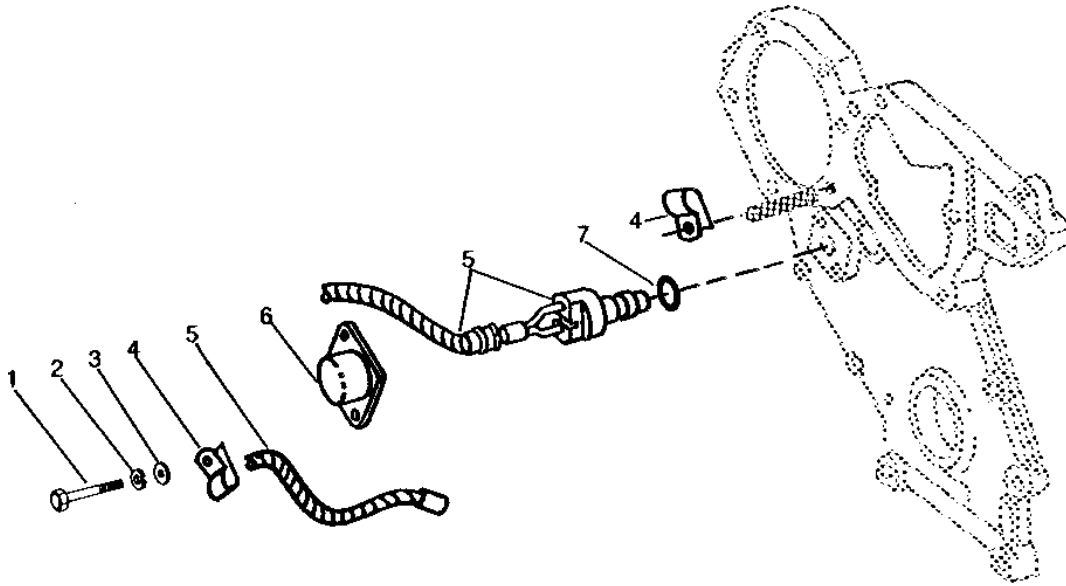
RGP3428

KEY	PART NO.	PART NAME	QTY	ENGINE SERIAL NO.			REMARKS
				4	5	6	
				4	4	4	
				0	2	4	
				5	5	5	
				0	0	0	
1	R89441	GASKET	1		X	X	
2	R71918	GASKET	1		X	X	(SUB FOR R53282)
3	R51640	OIL PAN	1	-153970	X	X	(MARKED R76951) (SUB AR94563)
	R76951	OIL PAN	1	153971-	X	X	(SUB AR94563) (SUB FOR R71911)
4	R27693	SCREW	2	-153970	X	X	
	R73445	SCREW	2	153971-	X	X	
5	12H304	LOCK WASHER	22		X	X	3/8"
6	19H1765	CAP SCREW	2	-153970	X	X	3/8" X 1-3/4"
	19H3485	CAP SCREW	2	153971-	X	X	3/8" X 2"
7	19H2552	CAP SCREW	16	-153970	X	X	3/8" X 1-1/8"
	19H3267	CAP SCREW	14	153971-	X	X	3/8" X 1-5/8"
8	19H2104	CAP SCREW	2	-153970	X	X	3/8" X 5"
	19H3504	CAP SCREW	2	153971-	X	X	3/8" X 5-3/8"
9	19H3041	CAP SCREW	2	-153970	X	X	3/8" X 6"
	19H3562	CAP SCREW	2	153971-	X	X	3/8" X 6-1/8", (G - GR)
10	A4827R	WASHER	1		X	X	
11	R26727	DRAIN PLUG	1		X	X	(SUB FOR R51944)
..	AR94563	KIT	1		X	X	

1D1

(6466) ENGINE

MAGNETIC PICK-UP
RGP1236 -UN-01JAN94



RGP1236

4 4 4
0 2 4
5 5 5
0 0 0

KEY	PART NO.	PART NAME	QTY	ENGINE SERIAL NO.	REMARKS
1	19H1948	CAP SCREW	2	X X X	1/4" X 3/4"
2	12H302	LOCK WASHER	2	X X X	1/4"
3	24H1287	WASHER	2	X X X	9/32" X 5/8" X 0.065"
4	T13814	CLAMP	2	X X X	
5	RE12180	SENSOR	1	X X X	
6	R67230	COVER	1	X X X	
7	R79915	O-RING	1	X X X	(SUB FOR R73599)

1D12

(6466) ENGINE

WATER PUMP, INLET HOUSING, AND GASKET - CONTINUED
(6466)

KEY	PART NO.	PART NAME	QTY	ENGINE			REMARKS
				SERIAL NO.	4 4 4	0 2 4	
					5 5 5		
					0 0 0		
1	R39305	CAP SCREW	2		X X X		
2	19H2104	CAP SCREW	3		X X X	3/8" X 5"	
3	AR26724	ELBOW FITTING	1		X X X		
4	R26906	O-RING	1		X X X		
5	R78696	SNAP RING	1		X X X	(SUB FOR R74027)	
6	R71226	COVER	1		X X X		
7	R71225	IMPELLER	1		X X X		
8	R71596	O-RING	1		X X X		
9	R98527	FILTER	1		X X X		
10	RE24772	KIT	1		X X X	(SUB FOR RE12940)	
11	R71224	HOUSING	1	-309262	X X X	(SUB R83561) (ALSO ORDER JD10362 AND JD10363)	
	R83561	HOUSING	1	309263-	X X		
	R83561	HOUSING	1	322746-	X		
12	AR93518	SEAL	1	-355878	X X X		
	RE39134	SEAL	1	355879-	X X X		
13	JD10171	BALL BEARING	1	-309262	X X X	(USE WITH R71224)	
	JD10363	BALL BEARING	1	309263-	X X	(FRONT) (USE WITH R83561)	
	JD10363	BALL BEARING	1	322746-	X		
14	R70965	SHAFT	1		X X X	(SUB RG19280 OR RG19279)	
15	JD10113	BALL BEARING	1	-309262	X X X	(USE WITH R71224)	
	JD10362	BALL BEARING	1	309263-	X X	(REAR) (USE WITH R83561)	
	JD10362	BALL BEARING	1	322746-	X		
16	R71228	RING	1		X X X		
17	R70964	WASHER	1		X X X		
18	R71037	GEAR	1		X X X		
19	AR93517	WATER PUMP	1	-309262	X X X	(MARKED R71224) (SUB RE23291)	
	RE23291	WATER PUMP	1	309263-	X X	(MARKED R83561)	
	RE23291	WATER PUMP	1	322746-	X	(MARKED R83561)	
20	19H2996	CAP SCREW	1		X X X	5/16" X 5"	
21	R71315	GASKET	1		X X X		
22	19H2023	CAP SCREW	1		X	3/8" X 3-1/4"	
	19H2023	CAP SCREW	1		X X	3/8" X 3-1/4", USE WITHOUT FAN GUARD	
	19H1912	CAP SCREW	1	308252-	X X	3/8" X 3-1/2", USE WITH FAN GUARD	
23	R71361	GASKET	1		X X X		
24	R71360	HOUSING	1		X X X		
25	12M7065	LOCK WASHER	2		X X X		
26	19M7513	CAP SCREW	2		X X X	M8 X 30	
..	R84942	BRACKET	1		X X		

1D23

(6466) ENGINE

RADIATOR SEALING BAFFLE KIT - CONTINUED

KEY	PART NO.	PART NAME	QTY	TRACTOR			REMARKS
				SERIAL NO.	4 4 4	0 2 4	
					5 5 5		
					0 0 0		
1	R56493	FOAM PAD	1	X X X			(HOOD REAR)
2	FOAM PAD	1	X X X			356MM (14") L.H. (MAKE FROM R43753)
3	FOAM PAD	1	X X X			622MM (24.5") R.H. (MAKE FROM R43753)
4	AR96607	PLATE	1	X X X			L.H.
5	R81357	ISOLATOR	1	X X X			L.H.
6	R81358	ISOLATOR	1	X X X			R.H.
7	AR97469	PLATE	1	X X X			R.H.
8	R21676	ISOLATOR	2	X X X			633MM (26")
9	R21676	ISOLATOR	2	X X X			606MM (24")
10	R21676	ISOLATOR	2	X X X			606MM (24")
11	R30937	ISOLATOR	2	X X X			320MM (12.6")
12	RE27980	ISOLATOR	1	X X X			(ALSO ORDER AR91035)
..	AR91035	KIT	1	X X X			RADIATOR BAFFLES AND CUSHIONS

MEMORANDA

1E22

(6359) ENGINE

CAMSHAFT/VALVES/ROCKER ARM SHAFT - CONTINUED
(6359TR)

KEY	PART NO.	PART NAME	QTY	ENGINE SERIAL NO.			REMARKS
				4	4	4	
				0	2	4	
				5	5	5	
				0	0	0	
1	R54565	PLUG	2				X
2	DD12121	ROCKER ARM SHAFT	1				X
3	T20316	WASHER	2				X
4	T20314	SPRING	5				X
5	RE31973	ROCKER ARM	12				X (SUB FOR RE19031)
6	19H268	CAP SCREW	6				X 3/8" X 2-1/2"
7	R42729	WASHER	6				X
8	T20315	SUPPORT	6				X
9	T20129	CAP	12				X
10	T20077	RETAINER	24				X
11	RE11410	ROTATOR	12				X
12	R26125	SPRING	12				X
13	CD14725	VALVE SEAT INSERT	6				X INTAKE, (SUB R97779)
14	CD13979	VALVE SEAT INSERT	6				X EXHAUST
15	R83071	INTAKE VALVE	6				X STANDARD, (ALSO ORDER R73064) (SUB FOR R51735)
	R89220	INTAKE VALVE	AR				X 0.076MM (0.003") (SUB FOR R57426)
	R89221	INTAKE VALVE	AR				X 0.381MM (0.015")
	R57428	INTAKE VALVE	AR				X 0.762MM (0.030")
16	R79624	EXHAUST VALVE	6				X STANDARD, (SUB FOR R52252)
	R79625	EXHAUST VALVE	AR				X 0.076MM (0.003") (SUB FOR R57333)
	R79626	EXHAUST VALVE	AR				X 0.381MM (0.015")
	R79627	EXHAUST VALVE	AR				X 0.762MM (0.030")
17	19H218	CAP SCREW	2				X 3/8" X 1"
18	T20072	PLATE	1				X
19	RE14977	CAMSHAFT	1				X (MARKED R79345)
20	T20073	TAPPET	12				X
21	R82896	PUSH ROD	12				X (SUB FOR T20310)
22	R27976	O-RING	AR				X

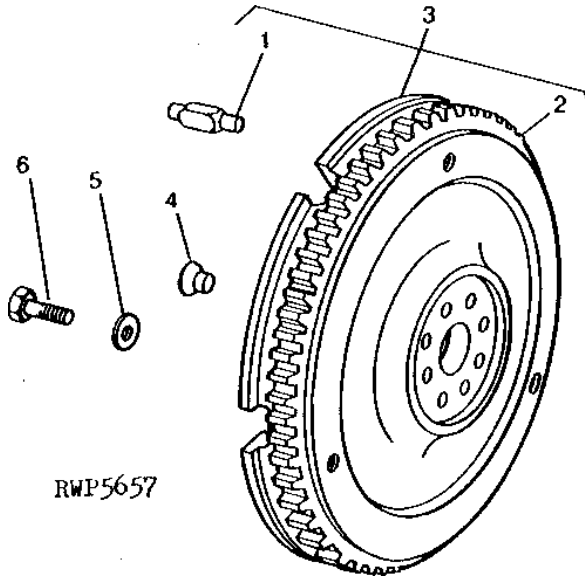
1F9

(6359) ENGINE

FLYWHEEL

(6359TR)
RWP5657

-UN-01JAN94



KEY	PART NO.	PART NAME	QTY	TRACTOR SERIAL NO.	REMARKS
				4 4 4 0 2 4 5 5 5 0 0 0	
1	R50263	PIN	3	X	(QUAD-RANGE)
	R26650	DOWEL PIN	2	X	(POWER SHIFT)
2	R28811	GEAR	1	X	
3	RE23945	FLYWHEEL	1	X	(QUAD-RANGE) (MARKED R84127)
	RE28282	FLYWHEEL	1	X	(POWER SHIFT) (MARKED R83089) (SUB FOR RE22621)
4	AR61553	ADAPTER	1	X	
5	T23891	WASHER	4	X	
6	19H3025	CAP SCREW	4	X	1/2" X 1-1/2" HS, SAE 8

1F21

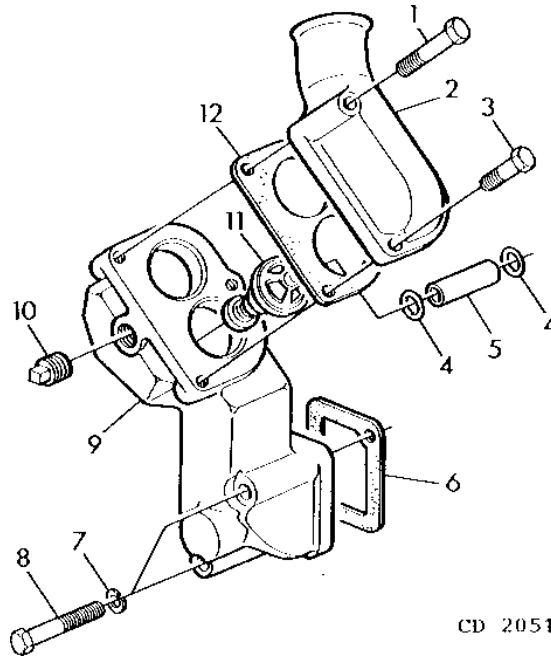
(6359) ENGINE

THERMOSTAT/THERMOSTAT HOUSING

(6359TR)

CD20513

-UN-01JAN94



CD 20513

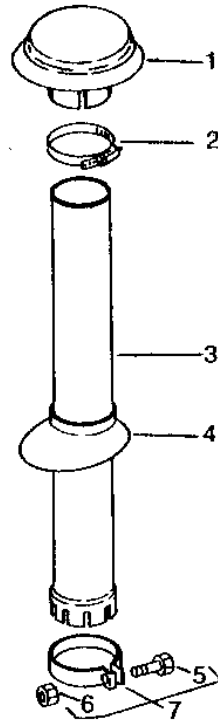
4 4 4
0 2 4
5 5 5
0 0 0

KEY	PART NO.	PART NAME	QTY	ENGINE SERIAL NO.	REMARKS
1	19H1732	CAP SCREW	2	X	3/8" X 1-1/4"
2	R54639	COVER	1	X	
3	19H1801	CAP SCREW	1	X	3/8" X 2"
4	R56461	O-RING	2	X	
5	R55967	TUBE	1	X	
6	R54641	GASKET	1	X	
7	12H304	LOCK WASHER	2	X	3/8"
8	19H1912	CAP SCREW	2	X	3/8" X 3-1/2"
9	R64268	HOUSING	1	X	
10	15H584	PIPE PLUG	1	X	1/2"
11	AR48675	THERMOSTAT	2	X	82C (180F)
12	R54638	GASKET	1	X	

2B22

(6466) FUEL AND AIR

AIR STACK
 (4050 TRACTOR SERIAL NO. 005511-)
 (4250 TRACTOR SERIAL NO. 001000-)
 (4450 TRACTOR SERIAL NO. 001000-)
 RP1324 -UN-01JAN94



RP1324

4 4 4
 0 2 4
 5 5 5
 0 0 0

KEY	PART NO.	PART NAME	QTY	TRACTOR SERIAL NO.	REMARKS
1	AR72337	CAP	1	X X X	
2	C16054	CLAMP	1	X X X	
3	R49526	AIR INTAKE STACK	1	X X X	
4	R51526	SEAL	1	X X X	
5	19H2791	CAP SCREW	1	X X X	3/8" X 1-3/4"
6	14H1076	NUT	1	X X X	3/8"
7	AR51762	CLAMP	1	X X X	

MEMORANDA

2C18

(6466) FUEL AND AIR

COLD WEATHER STARTING AID - CONTINUED

(4050 TRACTOR SERIAL NO. 005511-)
 (4250 TRACTOR SERIAL NO. 005144-)
 (4450 TRACTOR SERIAL NO. 009242-)

KEY	PART NO.	PART NAME	QTY	TRACTOR SERIAL NO.	4 4 4 0 2 4 5 5 5 0 0 0	REMARKS
1	T55585	CAP	1		X X X	
2	R39554	SWITCH	1		X X X	
3	TUBE	1		X X X	(ORDER RE16151) (SUB FOR R64334)
4	R47160	NOZZLE HOLDER	1		X X X	
5	R28583	NOZZLE	1		X X X	
6	RE21790	ELBOW FITTING	1		X	(SUB FOR AT25266) (6359TR)
	RE21790	ELBOW FITTING	1		X X X	(SUB FOR AT25266) (6466)
7	AT25264	FITTING	1	XXXXXX-	X X X	(6466TR)
8	R44302	TIE BAND	AR		X X X	
9	RE21790	ELBOW FITTING	1		X X X	(SUB FOR AT25266)
10	T13119	O-RING	1		X X X	
11	R73498	CONTAINER	1		X X X	
12	AR97514	STARTING AID SOLENOID	1		X X X	
13	RE33636	STARTING FLUID	1		X X X	(SUB FOR AR27814, RE24561 OR RE30174)
14	14H785	NUT	2		X X X	5/16"
15	12H303	LOCK WASHER	2	-XXXXXX	X X X	5/16"
16	19H1900	CAP SCREW	2		X X X	5/16" X 3/4"
17	19H1901	CAP SCREW	2		X X X	5/16" X 2"
18	24H1309	WASHER	1		X X X	13/32" X 1-1/16" X 0.120", (SUB FOR AR27814)
19	R59767	BRACKET	1		X X X	(6466TR)
	R59767	BRACKET	1	-006509	X	(6466DR)
	L32515	BRACKET	1	006510-	X	(6359TR)
20	28H1495	SPACER	2	-XXXXXX	X X X	0.493" X 0.675" X 1"
21	12H303	LOCK WASHER	2		X X X	5/16"
22	14H785	NUT	2		X X X	5/16"

MEMORANDA

2D15

(6466) FUEL AND AIR

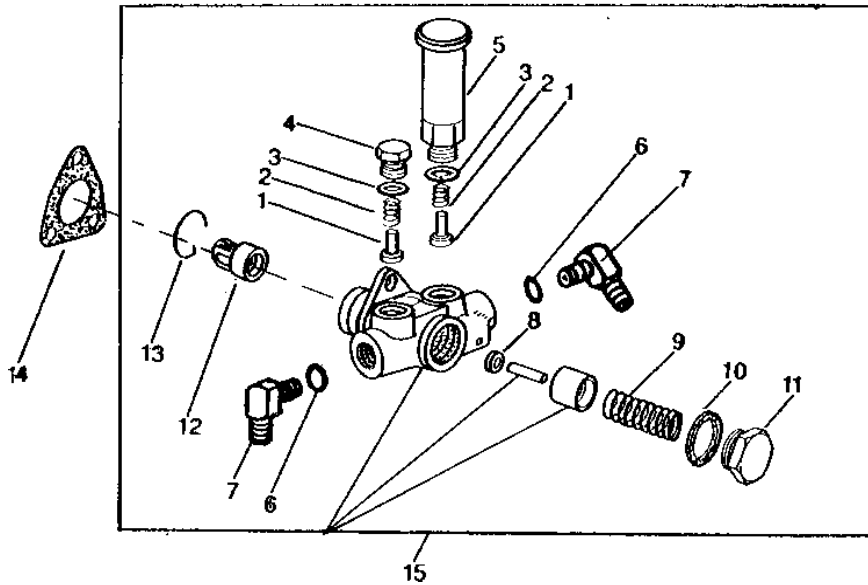
FUEL INJECTION NOZZLE - CONTINUED
(6466DR)

KEY	PART NO.	PART NAME	QTY	ENG. SER. NO. OR PUMP DATE			REMARKS
				4	4	4	
				0	2	4	
				5	5	5	
				0	0	0	
1	R60277	SNAP RING	1			X	
2	R51603	O-RING	1			X	
3	R60279	NUT	1			X	
4	R60278	SNAP RING	1			X	
5	R60272	NOZZLE HOLDER	1			X	(SUB RE10935)
6	R83720	WASHER	1			X	1.02 MM
	R83721	WASHER	1			X	1.08 MM
	R83722	WASHER	1			X	1.12 MM
	R83723	WASHER	1			X	1.18 MM
	R83724	WASHER	1			X	1.22 MM
	R83725	WASHER	1			X	1.28 MM
	R83726	WASHER	1			X	1.30 MM
	R83727	WASHER	1			X	1.38 MM
	R83728	WASHER	1			X	1.42 MM
	R83729	WASHER	1			X	1.48 MM
	R83730	WASHER	1			X	1.50 MM
	R83731	WASHER	1			X	1.58 MM
	R83732	WASHER	1			X	1.60 MM
	R83733	WASHER	1			X	1.68 MM
	R83734	WASHER	1			X	1.70 MM
	R83735	WASHER	1			X	1.78 MM
	R83736	WASHER	1			X	1.82 MM
	R83737	WASHER	1	000546-		X	1.88 MM
	R83738	WASHER	1			X	1.90 MM
	R83739	WASHER	1			X	1.98 MM
7	R60273	SPRING	1			X	
8	R60274	SEAT	1			X	
9	R60275	PLATE	1			X	
10	RE 10938	NOZZLE	1			X	KDEL 4 X 0.28
11	R60276	NUT	1			X	
12	R64840	WASHER	1			X	
13	RE 10935	INJECTION NOZZLE	6			X	
14	R60280	WASHER	1			X	0.99 MM (.039") (SUB R83720)
	R60281	WASHER	1			X	1.04 MM (.041") (SUB R83721)
	R60282	WASHER	1			X	1.09 MM (.043") (SUB R83722)
	R60283	WASHER	1			X	1.14 MM (.045") (SUB R83723)
	R60284	WASHER	1			X	1.19 MM (.047") (SUB R83724)
	R60285	WASHER	1			X	1.24 MM (.049") (SUB R83725)
	R60286	WASHER	1			X	1.29 MM (.051") (SUB R83726)
	R60287	WASHER	1			X	1.34 MM (.053") (SUB R83727)
	R60288	WASHER	1			X	1.39 MM (.055") (SUB R83728)
	R60289	WASHER	1			X	1.44 MM (.057") (SUB R83729)
	R60290	WASHER	1			X	1.49 MM (.059") (SUB R83730)
	R60291	WASHER	1			X	1.54 MM (.061") (SUB R83731)
	R60292	WASHER	1			X	1.60 MM (.063") (SUB R83732)
	R60293	WASHER	1			X	1.65 MM (.065") (SUB R83733)
	R60294	WASHER	1			X	1.70 MM (.067") (SUB R83734)
	R60295	WASHER	1			X	1.75 MM (.069") (SUB R83735)
	R60296	WASHER	1			X	1.80 MM (.071") (SUB R83736)
	R60297	WASHER	1	-000545		X	1.85 MM (.073")
	R60298	WASHER	1			X	1.90 MM (.075") (SUB R83738)
	R60299	WASHER	1			X	1.95 MM (.077") (SUB R83739)

2E2

(6466) FUEL AND AIR

FUEL TRANSFER PUMP
(6466TR)
(ROBERT BOSCH)
 RGP1125 -UN-01JAN94



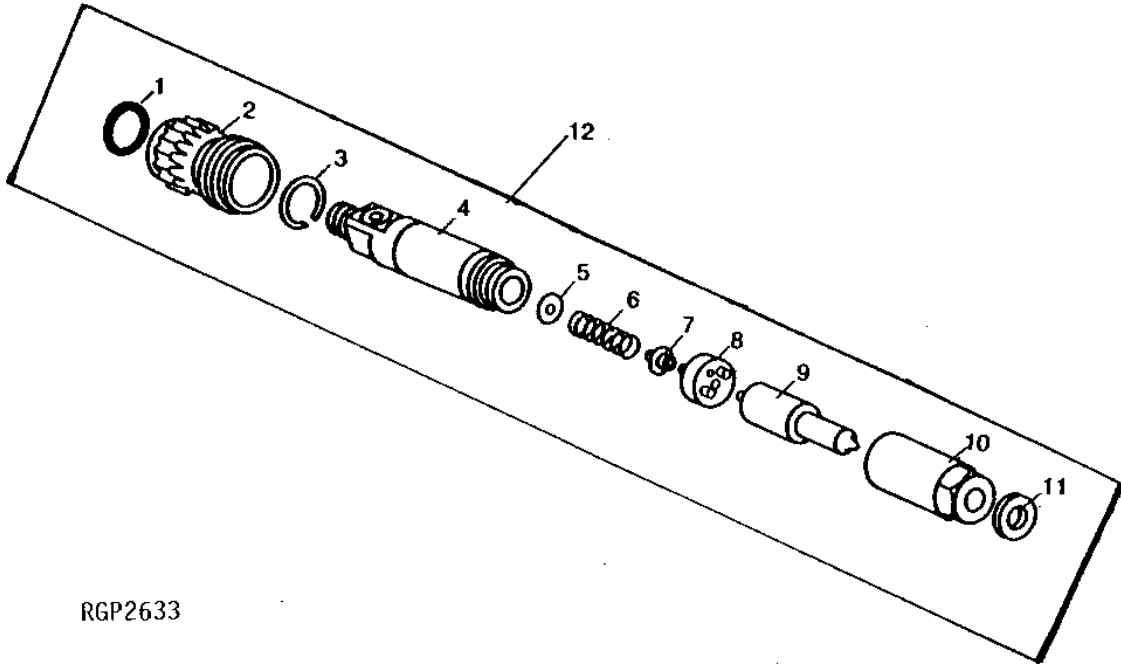
RGP1125

KEY	PART NO.	PART NAME	QTY	ENGINE SERIAL NO.	REMARKS
				4	
				0 4 4	
				5 2 4	
				0 5 5	
				E 0 0	
1	R54022	VALVE	2	X X X	
2	R54023	SPRING	2	X X X	
3	R54025	WASHER	2	X X X	
4	R54024	PLUG	1	X X X	
5	R70135	HAND PRIMER	1	X X X	
6	R26448	O-RING	2	X X X	(SUB FOR R78079, THIS APPLICATION)
7	RE10259	ELBOW FITTING	2	X X X	
8	R54013	O-RING	1	X X X	
9	R54011	SPRING	1	X X X	
10	R54016	WASHER	1	X X X	
11	R54015	DRAIN PLUG	1	X X X	
12	AR73857	TAPPET	1	X X X	
13	R54021	SNAP RING	1	X X X	
14	R67879	GASKET	1	X X X	
15	RE12386	FUEL PUMP	1	X X X	(SUB RE20042 AND (2) RE10259)

2E14

(6466) FUEL AND AIR

FUEL INJECTION NOZZLE
(6466TR)
(LUCAS CAV)
RGP2633 -UN-01JAN94



RGP2633

4 4 4
0 2 4
5 5 5
0 0 0

KEY	PART NO.	PART NAME	QTY	ENGINE SERIAL NO.	REMARKS
1	R51603	O-RING	1		X
2	R85330	NUT	1		X
3	R85333	SNAP RING	1		X
4	R85329	NOZZLE HOLDER	1		X
5	R85336	SHIM	AR		X 0.30 MM
	R85337	SHIM	AR		X 0.41 MM
	R85338	SHIM	AR		X 0.44 MM
	R85339	SHIM	AR		X 0.47 MM
	R85340	SHIM	AR		X 0.50 MM
	R85341	SHIM	AR		X 0.53 MM
	R85342	SHIM	AR		X 0.56 MM
	R85343	SHIM	AR		X 0.59 MM
	R85344	SHIM	AR		X 0.62 MM
	R85345	SHIM	AR		X 0.65 MM
	R85346	SHIM	AR		X 0.68 MM
	R85347	SHIM	AR		X 0.98 MM
	R85348	SHIM	AR		X 1.28 MM
	R85349	SHIM	AR		X 1.58 MM
6	R85331	SPRING	1		X
7	R85334	PLATE	1		X
8	R85332	PLATE	1		X
9	RE25184	NOZZLE	1		X (4 X 0.35)
10	R85335	NUT	1		X
11	R64840	WASHER	1		X
12	RE25185	NOZZLE HOLDER	6		X

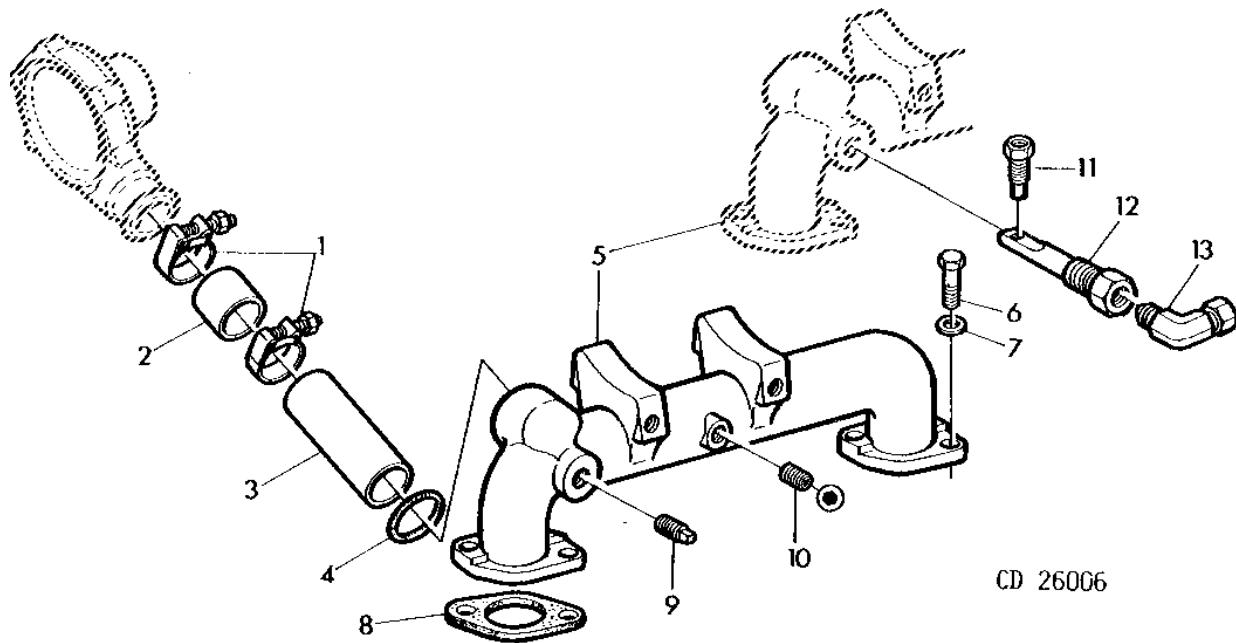
2F2

(6359) FUEL AND AIR

AIR INTAKE

(6359TR)
CD26006

-UN-01JAN94



CD 26006

KEY	PART NO.	PART NAME	QTY	ENGINE SERIAL NO.	REMARKS
				4 4 4	
				0 2 4	
				5 5 5	
				0 0 0	
1	AR65294	CLAMP	2	X	
2	R56551	HOSE	1	X	51 X 64 MM (2" X 2-1/2")
3	R56904	TUBE	1	X	
4	R56905	O-RING	1	X	
5	R80167	AIR DUCT	1	X	
6	19H1732	CAP SCREW	4	X	3/8" X 1-1/4"
7	12H304	LOCK WASHER	4	X	3/8"
8	R81275	GASKET	2	X	
9	15H255	PIPE PLUG	AR	X	3/8"
10	15H558	PIPE PLUG	AR	X	1/8"
11	R28583	NOZZLE	1	X	(WITH STARTING AID)
12	R47160	NOZZLE HOLDER	1	X	(WITH STARTING AID)
13	RE21790	ELBOW FITTING	1	X	(WITH STARTING AID) (SUB FOR AT25266)

2F13

(6359) FUEL AND AIR

FUEL FILTER - CONTINUED
 (6359TR)
 (SERIAL NO. 749219-)

KEY	PART NO.	PART NAME	QTY	ENGINE			REMARKS
				SERIAL NO.	4 4 4	0 2 4	
					5 5 5		
					0 0 0		
1	AR50040	HOUSING	1		X		
2	R82131	ELBOW FITTING	1		X		
3	14H785	NUT	1		X	5/16"	
4	12H303	LOCK WASHER	1		X	5/16"	
5	R48659	SUPPORT	1		X		
6	T13914	CLAMP	1		X		
7	24H1136	WASHER	1		X		
8	19H1813	CAP SCREW	1		X	5/16" X 5/8"	
9	RE27336	FUEL LINE	1		X		
10	R48071	DRAIN PLUG	2		X		
11	R26287	O-RING	2		X		
12	15H558	PIPE PLUG	1		X	1/8"	
13	RE26218	FUEL LINE	1		X		
14	T24945	ELBOW FITTING	1		X	(SUB M43551)	
15	24H1303	WASHER	2		X	13/32" X 11/16" X 0.065"	
16	19H1731	CAP SCREW	2		X	3/8" X 1"	
17	AR50041	FUEL FILTER	1		X		
18	R66821	CLAMP	1		X		

3B18

ELECTRICAL

OPERATOR'S STATION WIRING - CONTINUED
 (LESS ROLL-GARD OR SOUND-GARD BODY)
 (4050 TRACTOR SERIAL NO. -006592)
 (4250 TRACTOR SERIAL NO. -011453)

KEY	PART NO.	PART NAME	QTY	SG BODY SERIAL NO.	4 4 4 0 2 4 5 5 5 0 0 0	REMARKS
1	AR70699	LAMP	1		X X	(CONSOLE)
	R26287	O-RING	1		X X	
	AA4927R	BULB	1		X X	
2	AR61645	CONSOLE LAMP WIRING HARNES	1		X X	(PST) (GEAR INDICATOR LAMP)
	AR48015	BULB	1		X X	(PST)
3	AL25073	SOCKET OUTLET	1		X X	(CONVENIENCE)
4	AR38456	LAMP	2		X X	
5	R27583	GROMMET	2		X X	
6	RE10961	LAMP	2		X X	(SUB FOR AR85256)
7	AR75695	SOCKET OUTLET	1		X X	
	R61775	BOOT	1		X X	
8	AR84132	WIRING HARNESS	2		X X	(GROUND)
9	RE25126	DUAL BEAM LAMP	1		X X	R.H. (DUAL BEAM) (SUB FOR AR85257 AND RE19081)
	RE25127	DUAL BEAM LAMP	1		X X	L.H. (DUAL BEAM) (SUB FOR RE19082 OR AR85257)
10	RE19080	LAMP	2		X X	(HALOGEN) (SUB FOR AR85258)
11	R76766	CLIP	6		X X	
12	RE12389	WIRING HARNESS	1	-015224	X X	
	RE16738	WIRING HARNESS	1	015225-	X X	
13	R46414	CLAMP	1		X X	
14	R26418	GROMMET	1		X X	
15	RE12415	WIRING HARNESS	1		X X	
16	T13814	CLAMP	1		X X	
	H77698	TIE BAND	2		X X	
	T21959	ISOLATOR	1		X	
17	RE12414	BULKHEAD WIRING HARNESS	1	-015224	X X	(BULKHEAD) (SUB RE16515)
	RE16515	WIRING HARNESS	1	015225-	X X	(BULKHEAD)
18	RE12420	INSTRUMENT PNL WRG HARNESS	1		X X	(INSTRUMENT PANEL) (WITH INVESTIGATOR II MONITOR)
	RE12422	INSTRUMENT PNL WRG HARNESS	1		X X	(INSTRUMENT PANEL) (WITH GAUGE CLUSTER)
19	RE12395	WIRING HARNESS	1	-015224	X X	
	RE16515	WIRING HARNESS	1	015225-	X X	
..	R44302	TIE BAND	AR	-015224	X X	
..	T28949	CLAMP	1	015225-	X X	R.H. FENDER LAMP HARNESS

3C6

ELECTRICAL

SOUND-GARD BODY WIRING - CONTINUED

(4050 TRACTOR SERIAL NO. 006593-)
 (4250 TRACTOR SERIAL NO. 011454-)
 (4450 TRACTOR SERIAL NO. 022782-)

KEY	PART NO.	PART NAME	QTY	SG BODY SERIAL NO.	REMARKS
				4 4 4	
				0 2 4	
				5 5 5	
				0 0 0	
1	RE25127	DUAL BEAM LAMP	1	X X X	OUTER, (SUB FOR RE19082)
2	RE19080	LAMP	2	X X X	(A) INNER (HALOGEN)
3	RE23125	MONITOR WIRING HARNESS	1	X X X	(INVESTIGATOR II MONITOR)
4	RE23124	INSTRUMENT PNL WRG HARNESS	1	X X X	(INVESTIGATOR II MONITOR)
	RE23127	INSTRUMENT PNL WRG HARNESS	1	X X X	(GAUGE CLUSTER)
5	RE12388	WIRING HARNESS	1	X X X	
	R76766	CLIP	3	X X X	
6	AR56758	WIRING LEAD	1	X X X	GROUND
7	AR48725	DIMMER SWITCH	1	X X X	DIMMER
8	RE39116	NEUTRAL START SWITCH	1	X X X	(B) NEUTRAL START, (SUB FOR RE12411)
9	RE23121	BULKHEAD WIRING HARNESS	1	X X X	BULKHEAD
	R76766	CLIP	3	X X X	
10	RE12411	SWITCH	1	X X X	(C) NEUTRAL START
11	RE25126	DUAL BEAM LAMP	1	X X X	OUTER, (SUB FOR RE19081)
12	AR84132	WIRING HARNESS	2	X X X	FRONT LAMP GROUND
13	RE24332	WIRING HARNESS	1	X X X	
	R26418	GROMMET	1	X X X	
	R46663	SEALING TRIM	AR	X X X	
14	AR78825	TAIL LAMP	2	X X X	
15	RE19079	LAMP	2	X X X	(A)
16	A3411R	GROMMET	4	X X X	
17	RE11344	PLUG	1	X X X	CONVENIENCE OUTLET SOCKET
18	AL25073	SOCKET OUTLET	1	X X X	CONVENIENCE
19	RE23763	CONSOLE LAMP WIRING HARNES	1	X X X	(B) GEAR INDICATOR LAMP
20	AH93625	PLUG	1	X X X	7-TERMINAL ELECTRICAL OUTLET SOCKET
..	R44302	TIE BAND	AR	X X X	

(A) HALOGEN
 (B) POWER SHIFT TRANSMISSION
 (C) QUAD-RANGE TRANSMISSION

3C18

ELECTRICAL

ELECTRICAL WIRING - CONTINUED

(GAUGE CLUSTER) (6466TR)

(4050 TRACTOR SERIAL NO. 007162-)

(4250 TRACTOR SERIAL NO. 011454-)

(4450 TRACTOR SERIAL NO. 022782-)

KEY	PART NO.	PART NAME	QTY	SG BODY SERIAL NO.	REMARKS
				4	
				0 4 4	
				5 2 4	
				0 5 5	
				E 0 0	
1	RE12430	LAMP	1	X X X	
	AR101759	BULB	AR	X X X	12 C.P. (12-14 VOLT)
2	R47474	CLIP	2	X X X	
3	RE32552	ENGINE POWER WRG HARNESS	1	X X X	ENGINE POWER, (SUB FOR RE23126)
4	R72853	CLAMP	5	X X X	
5	AR93448	ALTERNATOR	1	X X X	90 AMP, (SUB TY6621)
	TY6621	ALTERNATOR	1	X X X	(12-VOLT) 90 AMP, (REMANUFACTURED)
6	AR97514	STARTING AID SOLENOID	1	X X X	
7	RE23121	BULKHEAD WIRING HARNESS	1	X X X	(SOUND-GARD BODY)
	RE23130	BULKHEAD WIRING HARNESS	1	X X X	(ROLL-GARD)
	RE23129	BULKHEAD WIRING HARNESS	1	X X X	(LESS ROLL-GARD OR SOUND-GARD BODY)
8	R76477	TIE BAND	2	X X X	(SUB FOR R45440)
	HOSE	1	X X X	5/8" X 15/16" X 1.85", (MAKE FROM R45847)
9	AR58233	SENSOR	1	X X X	ENGINE COOLANT TEMPERATURE
10	RE23127	INSTRUMENT PNL WRG HARNESS	1	X X X	INSTRUMENT PANEL
11	R70464	SEAL	2	X X X	
12	R70463	SUPPORT	2	X X X	
13	R26277	DOWEL PIN	1	X X X	
14	RE12176	AIR FILTER RSTR SENSOR	1	X X X	AIR FILTER
15	RE29040	GROMMET	1	X X X	(SUB FOR AR95556)
16	RE23119	SENSOR WIRING HARNESS	1	X X X	(B) L.H. SENSOR
	RE23120	SENSOR WIRING HARNESS	1	X X X	(A) L.H. SENSOR
17	AR67341	WIRING LEAD	1	X X X	
18	RE15642	TRANS OIL PRESSURE SENSOR	1	X X X	TRANSMISSION OIL PRESSURE
19	RE10686	SENSOR	1	X X X	TRANSMISSION OIL FILTER OVERRIDE
	12H295	LOCK WASHER	1	X X X	0.190"
	14H631	NUT	1	X X X	0.190"
20	RE25657	TRANS OIL FLTR RSTR SENSOR	1	X X X	TRANSMISSION OIL FILTER, (SUB FOR RE12177)
21	AR105415	TRANS OIL HIGH TEMP SENSOR	1	X X X	(A) HYDRAULIC OIL TEMPERATURE
22	RE19179	SOLENOID VALVE	1	X X X	(A) MFWD
	AL58788	SOLENOID VALVE	1	X X X	(B) MFWD, (SUB FOR AL37367 OR AL55066)
23	RE23128	MFWD SOLENOID WRG HARNESS	1	X X X	(A) MFWD SOLENOID
	RE23767	MFWD SOLENOID WRG HARNESS	1	X X X	(B) MFWD SOLENOID
24	RE40450	DIODE WIRING HARNESS	1	X X X	(DIODE)
25	RE41875	STARTER	1	X X X	(SUB FOR AR77254 OR RE13722)
	TY6713	STARTER	1	X X X	(REMANUFACTURED NIPPONDENSO) (SUB FOR TY6617) (ALSO ORDER RE39064)
26	RE15583	ENGINE OIL PRESSURE SENDER	1	X X X	ENGINE OIL PRESSURE
27	R73292	CLAMP	1	-XXXXXX	X X X
28	RE12513	COMPRESSOR	1	X X X	(SOUND-GARD BODY) (SUB TY6626)
	TY6626	COMPRESSOR	1	X X X	(REMANUFACTURED)
29	RE12180	SENSOR	1	X X X	ENGINE SPEED
30	R64700	LOW NOTE HORN	1	X X X	
31	AT39043	HIGH NOTE HORN	1	X X X	
32	AR85578	WIRING HARNESS	1	X X X	HORN
33	RE19409	FUEL SENDER	1	X X X	FUEL LEVEL
..	R44302	TIE BAND	AR	X X X	

(A) POWER SHIFT TRANSMISSION

(B) QUAD-RANGE TRANSMISSION

3D6

ELECTRICAL

ELECTRICAL WIRING - CONTINUED

(INVESTIGATOR II MONITOR)

(4250 TRACTOR SERIAL NO. 011454-)

(4450 TRACTOR SERIAL NO. 022782-)

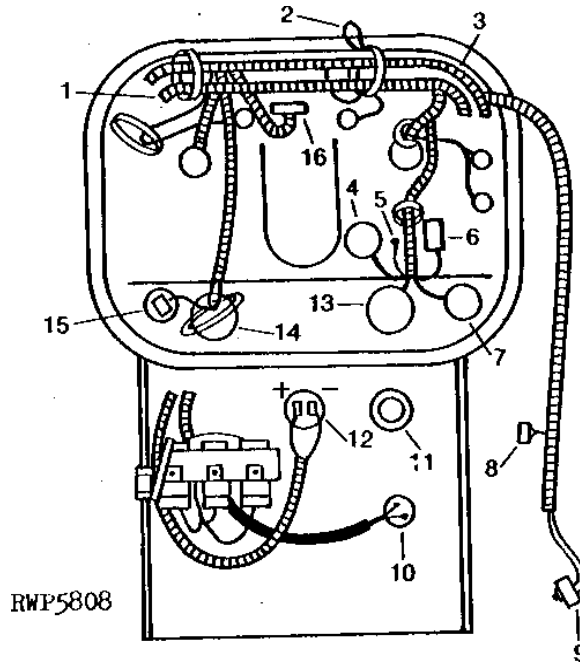
KEY	PART NO.	PART NAME	QTY	TRACTOR SERIAL NO.	4 0 5 0	4 2 5 0	4 4 5 0	REMARKS
1	RE12430	LAMP	1		X	X		
2	AR101759 R47474	BULB CLIP	AR 2		X	X		12 C.P. (12-14 VOLT)
3	RE32553	ENGINE POWER WRG HARNESS	1		X	X		ENGINE POWER, (SUB FOR RE23123)
4	R72853	CLAMP	5		X	X		
5	AR93448	ALTERNATOR	1		X	X		90 AMP, (SUB TY6621)
6	TY6621	ALTERNATOR	1		X	X		90 AMP, (REMANUFACTURED)
7	AR97514	STARTING AID SOLENOID	1		X	X		
8	RE23121	BULKHEAD WIRING HARNESS	1		X	X		BULKHEAD (SOUND-GARD BODY)
9	RE23130	BULKHEAD WIRING HARNESS	1		X	X		BULKHEAD (ROLL-GARD)
10	RE23129	BULKHEAD WIRING HARNESS	1		X	X		BULKHEAD (LESS RG OR SGB)
11	RE24559	SENSOR	1		X	X		ENGINE OIL PRESSURE
12	RE12184	SENSOR	1	-XXXXXX	X	X		ENGINE COOLANT TEMPERATURE, (SUB RE37086 AND R71210)
13	RE37086	WATER TEMPERATURE SENSOR	1	XXXXXX-	X	X		ENGINE COOLANT TEMPERATURE, (ALSO ORDER R71210, THIS APPLICATION)
14	R76477	TIE BAND	2		X	X		(SUB FOR R45440)
15	RE23124	INSTRUMENT PNL WRG HARNESS	1		X	X		INSTRUMENT PANEL
16	R70464	SEAL	2		X	X		
17	R70463	SUPPORT	2		X	X		
18	RE23125	MONITOR WIRING HARNESS	1		X	X		MONITOR
19	RE12176	AIR FILTER RSTR SENSOR	1		X	X		AIR FILTER
20	RE29040	GROMMET	1		X	X		(SUB FOR AR95556)
21	RE23117	SENSOR WIRING HARNESS	1		X	X		(A) (C) L.H. SENSOR
22	RE23131	SENSOR WIRING HARNESS	1		X	X		(A) (D) L.H. SENSOR
23	RE23118	SENSOR WIRING HARNESS	1		X	X		(B) (C) L.H. SENSOR
24	RE23132	SENSOR WIRING HARNESS	1		X	X		(B) (D) L.H. SENSOR
25	RE12180	SENSOR	1		X	X		(C) PTO SPEED
26	RE12181	GROUND SPEED SENSOR	1		X	X		(B) (C) GROUND SPEED
27	RE12179	SENSOR	1		X			(A) (C) GROUND SPEED
28	RE12181	GROUND SPEED SENSOR	1		X			(A) (C) GROUND SPEED
29	RE12184	SENSOR	1	-XXXXXX	X	X		(A) (SUB RE25659 AND R71210) HYDRAULIC OIL TEMPERATURE
30	RE25659	HYDR OIL TEMP SENSOR	1	XXXXXX-	X	X		(ALSO ORDER R71210)
31	RE15642	TRANS OIL PRESSURE SENSOR	1		X	X		TRANSMISSION OIL PRESSURE
32	RE25657	TRANS OIL FLTR RSTR SENSOR	2		X	X		TRANSMISSION OIL FILTER, (SUB FOR RE12177)
33	RE19179	SOLENOID VALVE	1		X	X		(A) MFWD
34	AL58788	SOLENOID VALVE	1		X	X		(B) MFWD, (SUB FOR AL37367 OR AL55066)
35	RE23128	MFWD SOLENOID WRG HARNESS	1		X	X		(A) MFWD SOLENOID
36	RE23767	MFWD SOLENOID WRG HARNESS	1		X	X		(B) MFWD SOLENOID
37	RE40450	DIODE WIRING HARNESS	1		X	X		(DIODE)
38	RE41875	STARTER	1		X	X		(SUB FOR AR77254 OR RE13722)
39	TY6713	STARTER	1		X	X		(REMANUFACTURED NIPPONDENSO) (SUB FOR TY6617) (ALSO ORDER RE39064)
40	R73292	CLAMP	1	-XXXXXX	X	X		
41	RE12513	COMPRESSOR	1		X	X		(SOUND-GARD BODY) (SUB TY6626)
42	TY6626	COMPRESSOR	1		X	X		(REMANUFACTURED)
43	RE12180	SENSOR	1		X	X		ENGINE SPEED
44	R64700	LOW NOTE HORN	1		X	X		
45	AR85578	WIRING HARNESS	1		X	X		HORN
46	AT39043	HIGH NOTE HORN	1		X	X		
47	RE32549	ENGINE SENSOR WRG HARNESS	1		X	X		ENGINE SENSOR, (SUB FOR RE23122)
48	RE19409	FUEL SENDER	1		X	X		FUEL LEVEL
49	R44302	TIE BAND	AR		X	X		
50	HOSE	AR		X	X		5/8" X 15/16" X 1.85", (MAKE FROM R45847)

- (A) POWER SHIFT TRANSMISSION
- (B) QUAD-RANGE TRANSMISSION
- (C) DIGITAL TACHOMETER
- (D) ANALOG TACHOMETER

3D18

ELECTRICAL

INSTRUMENT PANEL WIRING
 (INVESTIGATOR II MONITOR)
 (NOT USED IN U.S. AND CANADA)
 (4050E TRACTOR SERIAL NO. 007162-)
 (4250E TRACTOR SERIAL NO. 012779-)
 (4450 TRACTOR SERIAL NO. 022782-)
 RWP5808 -UN-01JAN94



4 4
 0 2 4
 5 5 4
 0 0 5
 E E 0

KEY	PART NO.	PART NAME	QTY	TRACTOR SERIAL NO.	REMARKS
1	RE23125	MONITOR WIRING HARNESS	1	X X X	INVESTIGATOR II MONITOR
2	AR85283	RECTIFIER	1	X X X	
3	RE32477	INSTRUMENT PNL WRG HARNESS	1	X X X	INSTRUMENT PANEL, (SUB FOR RE23136)
4	AL32062	SWITCH	1	X X X	HAZARD WARNING LIGHT
5	AT25262	INDICATOR LIGHT	1	X X X	PARKING BRAKE
6	AR93198	ROCKER SWITCH	1	X X X	MFWD
7	AR21823	SWITCH	1	X X X	HORN
8	AL27809	BRAKE LIGHT SWITCH	1	X X X	BRAKE LIGHT, (SUB AL67715)
9	AL41529	SWITCH	1	X X X	SECONDARY BRAKE INDICATOR LAMP
10	AR56766	HOUSING	1	X X X	LIGHTER
11	24H1707	WASHER	1	X X X	1-1/32" X 1-3/16" X 0.036"
12	AR84545	BACK-UP ALARM	1	X X X	INVESTIGATOR WARNING SYSTEM
13	AR58126	KEY SWITCH	1	X X X	STARTER WITH KEYS
	AL35863	KEY	1	X X X	(SUB FOR L30623)
14	AR48724	LIGHT SWITCH	1	X X X	LIGHT
	R76477	TIE BAND	1	X X X	(SUB FOR R45440)
15	R39554	SWITCH	1	X X X	STARTING AID
16	AR64422	TURN SIGNAL CONTROLLER	1	X X X	TURN SIGNAL
..	AM31284	BULB	AR	X X X	2 C.P. (12-VOLT)

3E6

ELECTRICAL

CIRCUIT BREAKERS AND RELAYS - CONTINUED

(NOT USED IN U.S. AND CANADA)

(4050E TRACTOR SERIAL NO. 007162-)

(4250E TRACTOR SERIAL NO. 012779-)

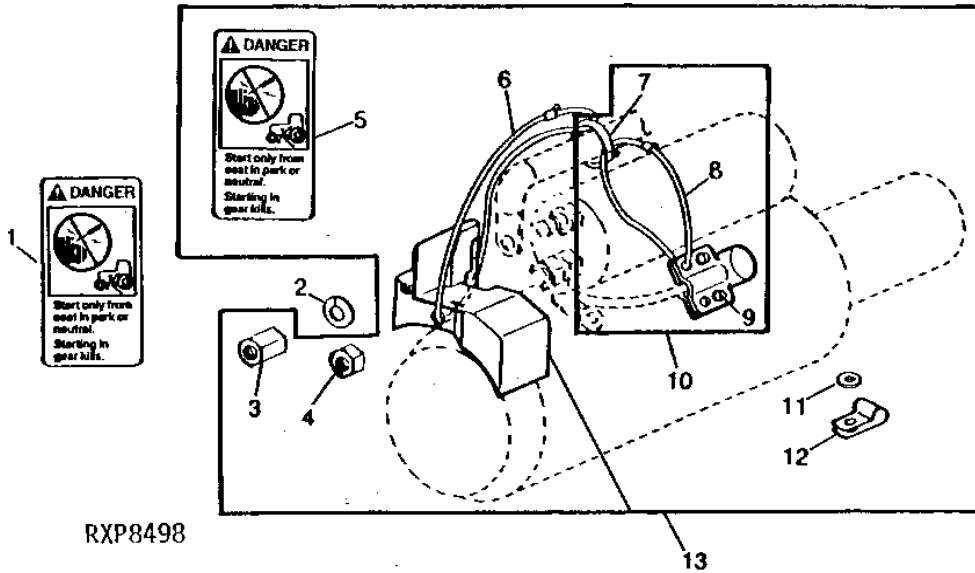
(4450 TRACTOR SERIAL NO. 022782-)

KEY	PART NO.	PART NAME	QTY	SG BODY SERIAL NO.	REMARKS
				4 4	
				0 2 4	
				5 5 4	
				0 0 5	
				E E 0	
1	R63462	COVER	1	X X X	
2	14H631	NUT	20	X X X	0.190"
3	12H295	LOCK WASHER	20	X X X	0.190"
4	24H1283	WASHER	12	X X X	7/32" X 1/2" X 0.049"
5	R80334	STRAP	1	X X X	
6	R80335	STRAP	1	X X X	
7	R52760	SCREW	2	X X X	
8	14H631	NUT	20	X X X	0.190"
9	24H1283	WASHER	20	X X X	7/32" X 1/2" X 0.049"
10	RE16963	KIT	1	X X X	
11	AN150015	CIRCUIT BREAKER	5	X X X	(30 AMP)
12	AR56671	CIRCUIT BREAKER	3	X X X	(20 AMP)
13	RE17522	CIRCUIT BREAKER	1	X X X	(15 AMP)
14	AR70052	CIRCUIT BREAKER	1	X X X	(10 AMP)
15	R65630	BRACKET	1	X X X	
16	24H1283	WASHER	6	X X X	7/32" X 1/2" X 0.049"
17	37H98	SCREW	3	X X X	
18	AR74411	RELAY	4	X X X	LIGHT
19	R67982	COVER	5	X X X	
20	AL32891	FLASHER	1	X X X	HAZARD WARNING LAMP
21	14H1076	NUT	1	X X X	3/8"
22	19H2284	CAP SCREW	1	X X X	3/8" X 7/8"
23	AR74411	RELAY	1	X X X	BUSSBAR
24	37H91	SCREW	1	X X X	0.190" X 1/2"

3E16

ELECTRICAL

STARTER SOLENOID COVER KIT
RXP8498 -UN-01JAN94



KEY	PART NO.	PART NAME	QTY	TRACTOR SERIAL NO.	REMARKS
				4 4 4	
				0 2 4	
				5 5 5	
				0 0 0	
1	T84410	LABEL	1	X X X	(SPANISH)
	T84411	LABEL	1	X X X	(FRENCH)
	T84412	LABEL	1	X X X	(GERMAN)
	T84413	LABEL	1	X X X	(ITALIAN)
2	12H246	LOCK WASHER	1	X X X	0.190"
3	R100380	NUT	1	X X X	
4	14H732	NUT	1	X X X	3/8"
5	T84409	WARNING LABEL	1	X X X	STARTER SAFETY (ENGLISH)
6	R76477	TIE BAND	1	X X X	
7	R44302	TIE BAND	1	X X X	
8	R76477	TIE BAND	1	X X X	
9	R66117	SCREW	2	X X X	
10	RE39063	SHIELD	1	X X X	(A) (KIT)
11	24H1289	WASHER	1	X X X	21/64" X 5/8" X 0.049"
12	R46414	CLAMP	1	X X X	
13	RE39064	SHIELD	1	X X X	(B) (KIT)

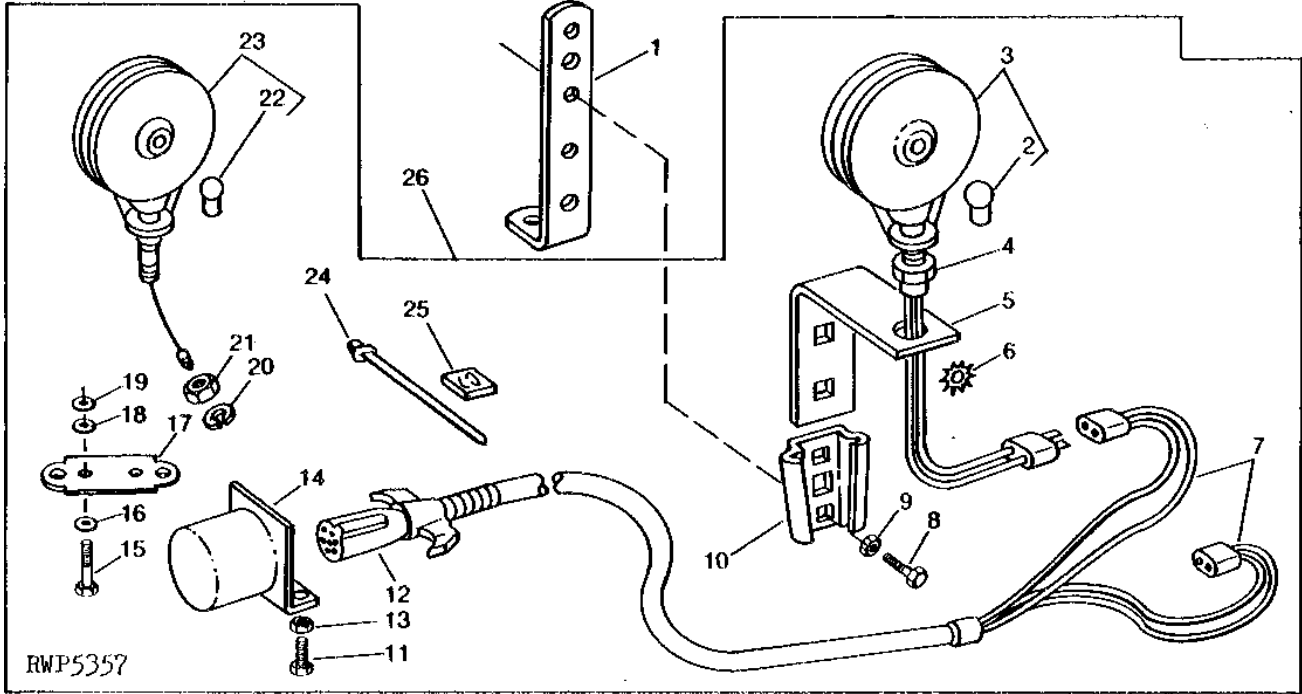
(A) USE WITH TY6618 AND TY6701

(B) USE WITH AR77254, RE23900, RE13722, RE41875, RE41880, TY6617 AND TY6713

3F2

ELECTRICAL

IMPLEMENT WARNING LAMP KIT
RWP5357 -UN-01JAN94

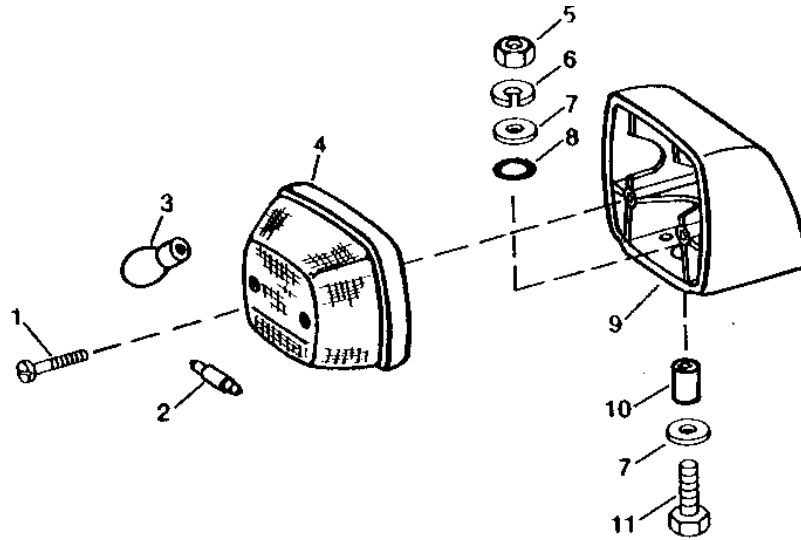


KEY	PART NO.	PART NAME	QTY	TRACTOR SERIAL NO.	REMARKS
				4 4 4	
				0 2 4	
				5 5 5	
				0 0 0	
1	A39716	BRACKET	2	X X X	
2	AD2062R	BULB	2	X X X	
3	AA34967	LAMP	2	X X X	
	A48331	LENS	2	X X X	
4	12H301	LOCK WASHER	2	X X X	1/2"
	14H856	NUT	2	X X X	1/2"
5	PT9319	BRACKET	2	X X X	
6	PT9390	WASHER	1	X X X	
7	PT9318	WIRING HARNESS	1	X X X	
8	37H57	SCREW	5	X X X	5/16" X 3/4"
9	14H785	NUT	5	X X X	5/16"
10	JD126	SOCKET	2	X X X	
11	37H3	SCREW	2	X X X	1/4" X 5/8"
12	AH93625	PLUG	1	X X X	
13	14H786	NUT	2	X X X	1/4"
14	PT1296	BRACKET	1	X X X	
15	37H57	SCREW	5	X X X	5/16" X 3/4"
16	24H1822	WASHER	1	X X X	11/32" X 7/8" X 1/16"
17	PT9320	BRACKET	1	X X X	
18	24H1822	WASHER	1	X X X	11/32" X 7/8" X 1/16"
19	14H788	NUT	5	X X X	3/8"
20	12H301	LOCK WASHER	1	X X X	1/2"
21	14H856	NUT	1	X X X	1/2"
22	AR48041	BULB	1	X X X	
23	AA34968	TAIL LAMP	1	X X X	
	A48332	LENS	1	X X X	
24	R44302	TIE BAND	AR	X X X	
25	AT55441	BASE	AR	X X X	
26	TY15263	WARNING LIGHT KIT	1	X X X	
..	AA32178	WIRING LEAD	1	X X X	ACCESSORY

3F14

ELECTRICAL

FRONT TURN SIGNAL AND CLEARANCE LAMP
 (NOT USED IN U.S. AND CANADA)
 RWP4177 -UN-01JAN94



RWP 4177

KEY	PART NO.	PART NAME	QTY	TRACTOR SERIAL NO.	REMARKS
				4 4	
				0 2 4	
				5 5 4	
				0 0 5	
				E E 0	
1	37M7066	SCREW	4	X X X	
2	57M6274	BULB	2	X X X	5W
3	57M7014	BULB	2	X X X	21W
4	AL25644	DIRECTION INDICATOR	2	-XXXXXX	(SUB AL58739)
	AL58739	SIDE LIGHT	2	XXXXXX-	
	L31774	GROMMET	2	X X X	(USE WITH AL25644 OR AL58739)
5	14M7273	NUT	2	X X X	M8
6	12H303	LOCK WASHER	2	X X X	5/16"
7	24H1822	WASHER	4	X X X	11/32" X 7/8" X 1/16"
8	F2741R	PACKING	2	X X X	
9	R79326	HOUSING	2	X X X	
10	28H1914	BUSHING	2	X X X	0.364" X 0.540" X 7/8"
11	19M7164	CAP SCREW	2	X X X	M8 X 50

3G1

ELECTRICAL

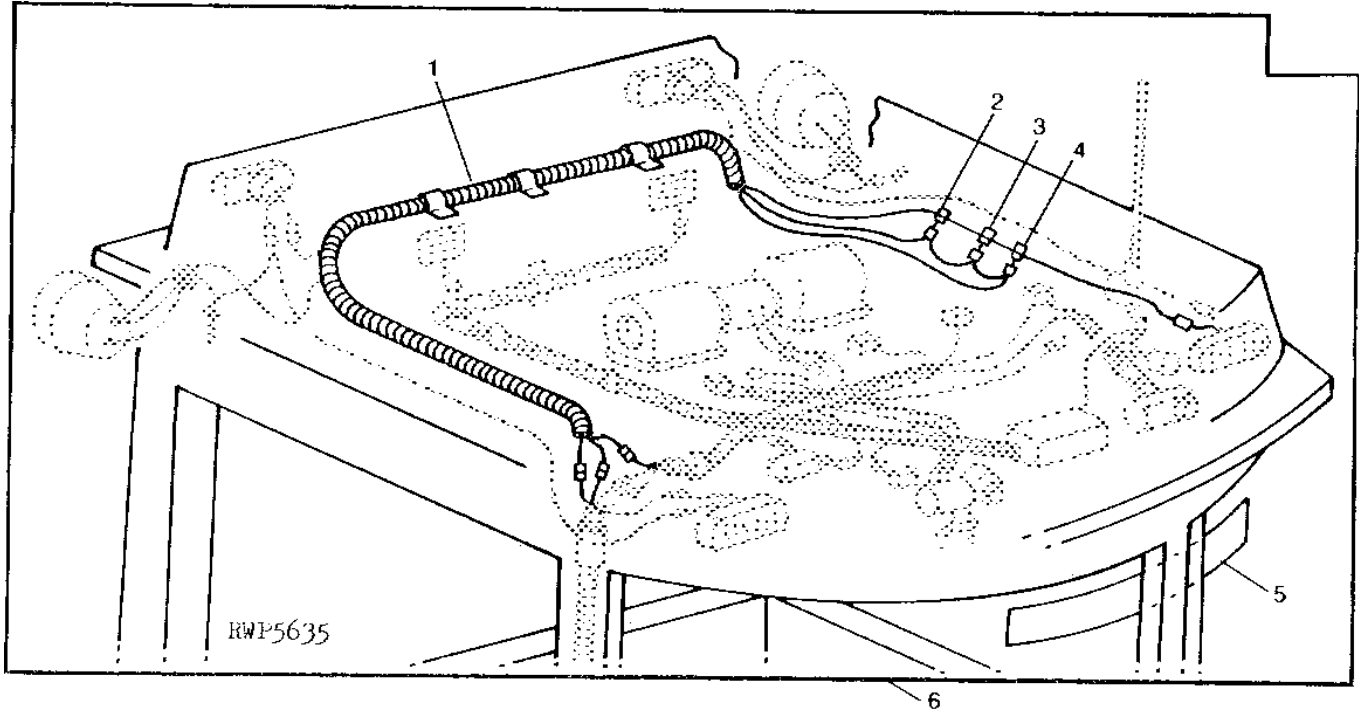
AIR CONDITIONING CLUTCH TIMER REPLACEMENT KIT

(4050 TRACTOR SERIAL NO. -006592)

(4250 TRACTOR SERIAL NO. -011453)

(4450 TRACTOR SERIAL NO. -022781)

RWP5635 -UN-01JAN94



4 4 4
0 2 4
5 5 5
0 0 0

KEY	PART NO.	PART NAME	QTY	TRACTOR SERIAL NO.	REMARKS
1	RE24457	WIRING HARNESS	1	X X X	
2	RE24307	AC HIGH PRESSURE SWITCH	1	X X X	HI PRESSURE
3	RE24308	AC LOW PRESSURE SWITCH	1	X X X	LOW PRESSURE
4	RE23766	DIODE	1	X X X	AIR CONDITIONER CLUTCH
5	R87574	LABEL	1	X X X	BLOWER, WIPER, HEATING AND AIR CONDITIONING
6	RE24456	SWITCH	1	X X X	(INCLUDES RE24411, (2) R60172 AND (10) R44302)

3G12

ELECTRICAL

RADAR SENSOR FOR DIGITAL TACHOMETER - CONTINUED

KEY	PART NO.	PART NAME	QTY	TRACTOR SERIAL NO.	REMARKS
				4 4 4	
				0 2 4	
				5 5 5	
				0 0 0	
1	RE21095	WIRING HARNESS	1	X X X	(A)
2	R44302	TIE BAND	15	X X X	
3	RE21511	WIRING HARNESS	1	X X X	(A)
4	19H1813	CAP SCREW	1	X X X	5/16" X 5/8"
5	12H303	LOCK WASHER	1	X X X	5/16"
6	24H1136	WASHER	1	X X X	11/32" X 11/16" X 0.065"
7	R82355	SHIELD	1	X X X	
8	19H1813	CAP SCREW	6	X X X	5/16" X 5/8"
9	12H303	LOCK WASHER	6	X X X	5/16"
10	03H1492	BOLT	2	X X X	1/2" X 2"
11	A49853	SIGN	2	X X X	(ENGLISH)
	R105941	DECAL	1	X X X	(FRENCH)
	R105942	LABEL	1	X X X	(GERMAN)
	R105943	LABEL	1	X X X	(SPANISH)
12	RE38707	BRACKET	1	X X X	(SUB FOR RE21096)
13	R82243	GASKET	1	X X X	
14	R82236	COVER	1	X X X	
15	R82238	O-RING	1	X X X	
16	R82237	SNAP RING	1	X X X	
17	R82239	SCREW	12	X X X	
18	RE43025	RADAR SENSOR	1	X X X	(SUB FOR RE21073)
19	RW26466	SENSOR	1	X X X	(SUB FOR RE21510) (ALSO ORDER RE29864, THIS APPLICATION)
20	14H1040	NUT	2	X X X	1/2"

(A) DIGITAL TACHOMETER

3G23

ELECTRICAL

INVESTIGATOR II MONITORING UNIT - CONTINUED

KEY	PART NO.	PART NAME	QTY	TRACTOR			REMARKS
				SERIAL NO.	4 4 4	0 2 4	
1	RE13092	COVER	1	-XXXXXX	X X X	(B) (MOTOROLA) (ALSO ORDER (4) R77550)	
	RE13093	COVER	1	-XXXXXX	X X X	(B) (MAGNAVOX) (ALSO ORDER (4) R77549)	
	RE11253	COVER	1	-XXXXXX	X X X	(A) (B) (MOTOROLA) (ALSO ORDER (4) R77550)	
	RE11252	COVER	1	-XXXXXX	X X X	(A) (B) (MAGNAVOX) (ALSO ORDER (4) R77549)	
	RE22158	COVER	1	XXXXXX-	X X X	(C) (MOTOROLA)	
	RE22162	COVER	1	XXXXXX-	X X X	(A) (C) (MAGNAVOX)	
	RE22163	COVER	1	XXXXXX-	X X X	(A) (C) (MOTOROLA)	
2	R77550	SCREW	4		X X X	(USE WITH RE13092, RE11253, RE22158 OR RE22163)	
	R77549	SCREW	4		X X X	(USE WITH RE13093, RE11252 OR RE22162)	
3	RE11047	PRESSURE GAUGE	1		X X X	ENGINE OIL PRESSURE	
	RE11051	GAUGE	1		X X X	(A) ENGINE OIL PRESSURE	
4	RE11049	GAUGE	1		X X X	VOLTMETER	
	RE11053	GAUGE	1		X X X	(A) VOLTMETER	
5	RE11048	TEMPERATURE GAUGE	1		X X X	ENGINE WATER TEMPERATURE	
	RE11052	TEMPERATURE GAUGE	1		X X X	(A) ENGINE WATER TEMPERATURE	
6	RE11046	GAUGE	1		X X X	FUEL	
	RE11050	GAUGE	1		X X X	(A) FUEL	
7	R61341	BRACKET	1		X X X		
8	R53028	CAP SCREW	2	-XXXXXX	X X X	(B)	
	37M7059	SCREW	2	XXXXXX-	X X X	(C)	
9	AR62407	BULB	7	-XXXXXX	X X X	(B) (MESSAGE) (2 C.P.)	
	AR62407	BULB	6	XXXXXX-	X X X	(C) (MESSAGE) (2 C.P.)	
10	R77436	BULB	1		X X X	(BACKLIGHT) (SUB AA27536)	
11	RE11018	MONITOR CONSOLE	1	-XXXXXX	X X X	(B) (REMANUFACTURED) (SUB FOR RE12698)	
	RE23385	MONITOR CONSOLE	1	XXXXXX-	X X X	(C)	
	RE13540	MONITOR CONSOLE	1	-XXXXXX	X X X	(A) (B)	
	RE23388	MONITOR CONSOLE	1	XXXXXX-	X X X	(A) (C)	
12	R78803	CAP SCREW	4		X X X		

(A) NOT USED IN U.S. AND CANADA

(B) (-XXXXXX) SERIAL NO. 4050-006592; 4250-011453; 4450-022781

(C) (XXXXXX-) SERIAL NO. 4050-006593; 4250-011454; 4450-022782

3H10

ELECTRICAL

LEFT-HAND WINDSHIELD WIPER AND MOTOR - CONTINUED
 (NOT USED IN U.S. AND CANADA)
 (SOUND-GARD BODY SERIAL NO. -003227)

KEY	PART NO.	PART NAME	QTY	SG BODY SERIAL NO.	4 4 0 2 4 5 5 4 0 0 5 E E 0	REMARKS
1	R52130	LOCK NUT	1	XXXXXX-	X X X	
2	14H1026	NUT	3		X X X	0.138"
3	12H321	WASHER	3	-XXXXXX	X X X	0.138"
4	AR94047	BUSHING	1		X X X	
5	RE18943	WIPER MOTOR	1		X X X	(SUB FOR AR56691)
6	AR56692	ARM	1		X X X	
7	AR56694	WINDSHIELD WIPER	1		X X X	
8	T35441	SCREW	1		X X X	
9	T35440	LOCK NUT	1		X X X	
10	AR69370	KNOB	1		X X X	
11	R44165	LOCK NUT	1		X X X	
12	AR64992	WIPER SWITCH	1		X X X	
13	21H1301	SCREW	1		X X X	0.190" X 1/2"
14	12H295	LOCK WASHER	1		X X X	0.190"
15	B1664R	SHIM	1		X X X	
16	AR87340	WIPER MOTOR WIRING HARNESS	1	-XXXXXX	X X X	
	RE18944	WIPER MOTOR WIRING HARNESS	1	XXXXXX-XXXXXX	X X X	(A) (USE WITH RE18943)
17	R42093	GROMMET	1		X X X	
18	37H161	SCREW	1		X X X	
19	R34557	CLAMP	1		X X X	NO. 8 X 5/8"
20	R50277	CLIP	1		X X X	
21	AR71571	CAPACITOR	2		X X X	

(A) (-XXXXXX) TRACTOR SERIAL NO. 4050-006592; 4250-011453; 4450-022781

3H21

ELECTRICAL

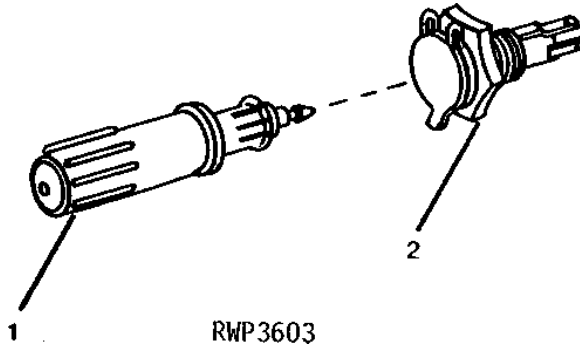
**REAR WINDSHIELD WIPER AND WASHER
(NOT USED IN U.S. AND CANADA)**

KEY	PART NO.	PART NAME	QTY	SG BODY SERIAL NO.	REMARKS
				4 4	
				0 2 4	
				5 5 4	
				0 0 5	
				E E 0	
1	L38013	TEE FITTING	1	X X X	
2	L39783	HOSE	1	X X X	
3	AL37454	WIRING HARNESS	1	X X X	
4	L39802	GROMMET	1	X X X	
5	AL35843	MOTOR	1	X X X	
6	L38523	CAP	1	X X X	
7	AL37410	BRACKET	1	X X X	
8	21H1410	SCREW	2	X X X	1/4" X 1"
9	T22085	BUMPER	2	X X X	
10	AL35642	NOZZLE	1	X X X	
11	57M7102	BULB	1	X X X	
12	AL36505	SOCKET	1	X X X	
13	L39638	INSERT	1	X X X	
14	AL37429	TOGGLE SWITCH	1	X X X	
15	AL37484	WIPER BLADE	1	X X X	
16	L37274	WASHER	1	X X X	
17	L37275	WASHER	1	X X X	
18	L37276	NUT	1	X X X	
19	L38810	BOOT	1	X X X	
20	12M7093	WASHER	1	X X X	8.400 X 15 X 0.500 MM
21	14M7273	NUT	1	X X X	M8
22	L38533	SCREW	1	X X X	
23	24M7117	WASHER	1	X X X	4.300 X 9 X 0.800 MM
24	14M7359	LOCK NUT	1	X X X	M4
25	AL36392	WIPER ARM	1	X X X	
26	AL36557	LEVER	1	X X X	
27	L38600	TUBE	1	X X X	
28	37M7089	SCREW	2	X X X	
29	AL37480	KIT	1	X X X	

317

ELECTRICAL

CONVENIENCE ELECTRICAL OUTLET SOCKET
RWP3603 -UN-01JAN94



KEY	PART NO.	PART NAME	QTY	TRACTOR SERIAL NO.	REMARKS
				4 4 4 0 2 4 5 5 5 0 0 0	
1	RE11344	PLUG	1	X X X	
2	AL25073	SOCKET OUTLET	1	X X X	

3118

ELECTRICAL

ELECTRICAL CONNECTOR SERVICE KIT - CONTINUED

KEY	PART NO.	PART NAME	QTY	TRACTOR SERIAL NO.	REMARKS
				4 4 4	
				0 2 4	
				5 5 5	
				0 0 0	
35	R77469	TERMINAL	1	X X X	(PKG. OF 5)
36	RE11156	TERMINAL	1	X X X	(B) (MALE)
37	RE11157	TERMINAL	1	X X X	(B) (FEMALE)
38	R70222	PIN CONTACT	1	X X X	(D) (H)
39	R70221	ELECTRICAL PLUG	1	X X X	(E)
40	R70219	PLUG	1	X X X	(A) (10 WAY)
	R70217	PLUG	1	X X X	(A) (7 WAY)
	R70215	PLUG	1	X X X	(A) (4 WAY)
	R70213	PLUG	1	X X X	(A) (3 WAY)
	R70211	CONNECTOR	1	X X X	(A) (2 WAY)
41	R70218	RECEPTACLE	1	X X X	(A) (10 WAY)
	R70216	RECEPTACLE	1	X X X	(A) (7 WAY)
	R70214	RECEPTACLE	1	X X X	(A) (4 WAY)
	R70212	RECEPTACLE	1	X X X	(A) (3 WAY)
	R70210	RECEPTACLE	1	X X X	(A) (2 WAY)
42	AR91793	SOCKET CONTACT	1	X X X	(D)
43	R30378	SPRING	1	X X X	(C)
44	R77474	CONNECTOR	1	X X X	(A) (6 WAY)
45	R77470	TERMINAL	1	X X X	SPLICE (PKG. OF 15) (16-18-20 OR 22 GA. WIRE)
	R77471	TERMINAL	1	X X X	(C) (G) SPLICE
	R77472	TERMINAL	1	X X X	(A) SPLICE (8 GA. WIRE)
	R77473	TERMINAL	1	X X X	(A) SPLICE (6 GA. WIRE)
46	R65607	TERMINAL	1	X X X	(C) (18 OR 20 GA. WIRE)
47	U46664	TERMINAL	1	X X X	(C) (F)
48	R32026	TERMINAL	1	X X X	(D) (F)
49	R65602	SOCKET CONTACT	1	X X X	(C) (16 OR 18 GA. WIRE)
50	R70220	TERMINAL	1	X X X	(C) (18 OR 20 GA. WIRE)
51	R77489	TERMINAL	1	X X X	(D) (14-16-18 OR 20 GA. WIRE) (NO. 10 EYELET)
	R77493	TERMINAL	1	X X X	(D) (G) (NO. 10 EYELET)
	R77488	TERMINAL	1	X X X	(D) (14-16-18 OR 20 GA. WIRE) (3/8" EYELET)
	R77490	TERMINAL	1	X X X	(D) (G) (1/2" EYELET)
52	R77496	TERMINAL	1	X X X	(D) (F) (NO. 8 SPADE)
	R77495	TERMINAL	1	X X X	(D) (18 GA. WIRE) (NO. 10 SPADE)
53	R77497	TERMINAL	1	X X X	(D) (F) (NO. 6 SPADE)
54	R77491	TERMINAL	1	X X X	(D) (G) (3/8" EYELET)
	R77492	TERMINAL	1	X X X	(D) (G) (1/4" EYELET)
55	R77494	TERMINAL	1	X X X	(D) (6 OR 8 GA. WIRE) (1/4" EYELET)
56	R77502	TUBE	1	X X X	(PKG. OF 8) 3/8" (HEAT SHRINK)
	R77503	TUBE	1	X X X	(PKG. OF 8) 3/16" (HEAT SHRINK)
57	RE11154	KIT	1	X X X	

- (A) PKG. OF 2
- (B) PKG. OF 3
- (C) PKG. OF 10
- (D) PKG. OF 20
- (E) PKG. OF 25
- (F) 14 OR 16 GA. WIRE
- (G) 10 OR 12 GA. WIRE
- (H) 14-16 OR 18 GA. WIRE

4C2

POWER TRAIN

**TRANSMISSION AND PTO CLUTCH OPERATING PISTON HOUSING AND PISTONS - CONTINUED
(QUAD-RANGE TRANSMISSION)
(MECHANICAL FRONT WHEEL DRIVE)**

KEY	PART NO.	PART NAME	QTY	TRANSMISSION			REMARKS
				SERIAL NO.	0 0 0	4 4 4	
1	R65551	PACKING	1	X	X	X	
2	R61400	PISTON	1	X	X	X	
3	JD9916	BEARING	1	X	X	X	
4	JD9918	BEARING	1	X	X	X	
5	R51340	BEARING RACE	1	X	X	X	
6	R51365	RETAINER	1	X	X	X	
7	AR56116	RETAINER	1	X	X	X	
8	R61386	BEARING RACE	1	X	X	X	
9	JD9919	BEARING	1	X	X	X	
10	JD9917	BEARING	1	X	X	X	
11	R65432	PACKING	1	X	X	X	
12	R65431	PISTON	1	X	X	X	
13	R67067	PACKING	1	X	X	X	
14	R62833	SLEEVE	1	X	X	X	
15	R65550	PACKING	1	X	X	X	
16	15H558	PIPE PLUG	6	X	X	X	1/8"
17	R41041	CAP SCREW	6	X	X	X	
18	R41155	PLUG	1	X	X	X	
19	R50259	SPRING	1	X	X	X	
20	R61659	VALVE	1	X	X	X	
21	R61660	PIN	1	X	X	X	
22	15H559	PIPE PLUG	1	X	X	X	1/4"
23	R26919	WASHER	1	X	X	X	
24	R26650	DOWEL PIN	1	X	X	X	
25	R57442	NEEDLE ROLLER	1	X	X	X	
26	R62955	RETAINER	2	X	X	X	
27	R26548	SNAP RING	2	X	X	X	
28	R50258	SPRING	2	X	X	X	
29	AR61146	SCREW	5	X	X	X	
30	AR102510	HOUSING	1	X	X	X	(MARKED R75310) (INCLUDES (6) 15H558, 15H559 AND R26650)
31	R51383	SELF-LOCKING SCREW	5	X	X	X	
32	R36295	SNAP RING	1	X	X	X	
33	JD8735	BALL BEARING	1	X	X	X	
34	R52988	WASHER	1	X	X	X	
35	R70607	SNAP RING	1	X	X	X	
36	R50863	BUSHING	1	X	X	X	
37	AR54963	DRIVE SHAFT	1	X	X	X	
38	R50154	SHAFT	1	X	X		
	R77309	SHAFT	1			X	
39	R50155	BUSHING	1	X	X	X	

4C14

POWER TRAIN

**CLUTCH VALVE HOUSING AND VALVES - CONTINUED
(QUAD-RANGE TRANSMISSION)**

KEY	PART NO.	PART NAME	QTY	TRANSMISSION			REMARKS
				SERIAL NO.	5 5 5	0 0 0	
					4 4 4		
					0 2 4		
					5 5 5		
					0 0 0		
1	R30165	CAP SCREW	1		X X X		
2	R53268	GUARD	1		X X X		
3	R63052	SHAFT	1		X X X		
4	R58941	PIN	1		X X X		
5	R67981	ARM	1		X X X		
6	34H313	SPRING PIN	1		X X X	1/4" X 1-1/8"	
7	R52666	LINK	1		X X X		
8	R52665	DISK	1		X X X		
9	R52446	SPRING	1		X X X		
10	R52448	PIN	1		X X X		
11	R52447	SPRING	1		X X X		
12	R53076	NEEDLE ROLLER	1		X X X		
13	R51856	VALVE	1		X X X		POWERSHAFT CLUTCH
14	R73587	TUBE	3		X X X		
15	R26286	O-RING	8		X X X		
16	R73586	TUBE	1		X X X		
17	R26286	O-RING	2		X X X		
18	R73585	TUBE	1		X X X		
19	R38295	NEEDLE ROLLER	2		X X X		
20	RE22046	HOUSING	1		X X X		(MARKED R78038 OR R82747) (SUB FOR RE12408)
21	R52900	QUICK LOCK PIN	1		X X X		
22	R94308	GASKET	1		X X X		(SUB FOR R78039)
23	R62724	VALVE	1		X X X		TRACTION CLUTCH
24	R53076	NEEDLE ROLLER	1		X X X		
25	R63849	SPRING	1		X X X		
26	R52448	PIN	1		X X X		
27	R62726	SPRING	1		X X X		
28	R52665	DISK	1		X X X		
29	R62725	LINK	1		X X X		
30	34H313	SPRING PIN	1		X X X	1/4" X 1-1/8"	
31	R62043	ARM	1		X X X		
32	R63052	SHAFT	1		X X X		
33	R58941	PIN	1		X X X		
34	R78460	DRAIN PLUG	1		X X X		
35	R76176	VALVE	1		X X X		CLUTCH SHUT-OFF
36	R89476	SPRING	1		X X X		(SUB FOR R33277, THIS APPLICATION)

4C24

POWER TRAIN

**DIFFERENTIAL DRIVE SHAFT AND SPIRAL BEVEL GEAR - CONTINUED
(QUAD-RANGE TRANSMISSION)
(MECHANICAL FRONT WHEEL DRIVE)**

KEY	PART NO.	PART NAME	QTY	TRANSMISSION SERIAL NO.	4 4 4 0 2 4 5 5 5 0 0 0			REMARKS
					X	X	X	
1	AR95814	GEAR	1	-010371	X	X	X	(INCLUDES SHIMS) (MARKED R72295 AND R72294) (SUB RE23273) (ALSO ORDER RE23270, R85890, R85891, R85892 AND R85893)
	RE23273	GEAR	1	010372-	X	X	X	(INCLUDES SHIMS) (MARKED R83550 AND R83551)
2	JD10377	BEARING CONE	1		X	X	X	(SUB FOR JD9004)
3	JD8280	BEARING CUP	1		X	X	X	
4	R35365	SHIM	AR		X	X	X	0.08 MM (.003")
	R35366	SHIM	AR		X	X	X	0.13 MM (.005")
	R35367	SHIM	AR		X	X	X	0.25 MM (.010")
5	RE16106	GEAR	1		X	X	X	(MARKED R71768 OR R82870) (SUB FOR AR94467)
6	R46400	SNAP RING	1	-010371	X	X	X	
	R85890	SNAP RING	1	010372-	X	X	X	
7	R46439	SHIFT COLLAR	1		X	X	X	REAR
8	R46436	GEAR	1		X	X	X	REAR
9	R46401	SNAP RING	1	-010371	X	X	X	
	R85891	SNAP RING	1	010372-	X	X	X	
10	R71771	GEAR	1		X	X	X	
11	R26068	WASHER	3		X	X	X	
12	R46402	SNAP RING	1	-010371	X	X	X	
	R85892	SNAP RING	1	010372-	X	X	X	
	R71769	GEAR	1		X	X	X	
14	R46403	SNAP RING	1	-010371	X	X	X	
	R85893	SNAP RING	1	010372-	X	X	X	
15	R71239	SHIFT COLLAR	1		X	X	X	FRONT
16	R46435	GEAR	1		X	X	X	FRONT
17	R71770	GEAR	1		X	X	X	
18	R72324	THRUST WASHER	1		X	X	X	
19	R51196	SHIM	AR		X	X	X	0.18 MM (.007")
	R51197	SHIM	AR		X	X	X	0.25 MM (.010")
	R51198	SHIM	AR		X	X	X	0.30 MM (.012")
	R51199	SHIM	AR		X	X	X	0.38 MM (.015")
	R51200	LOCK NUT	AR		X	X	X	
20	JD10150	BEARING CUP	1		X	X	X	
21	JD8980	BEARING CONE	1		X	X	X	
22	R80281	GEAR	1		X	X	X	
23	R73052	PLATE	1		X	X	X	
24	R44724	CAP SCREW	1		X	X	X	

4D11

POWER TRAIN

**HI-LO CLUTCH INSTALLATION KIT - CONTINUED
(QUAD-RANGE TRANSMISSION)**

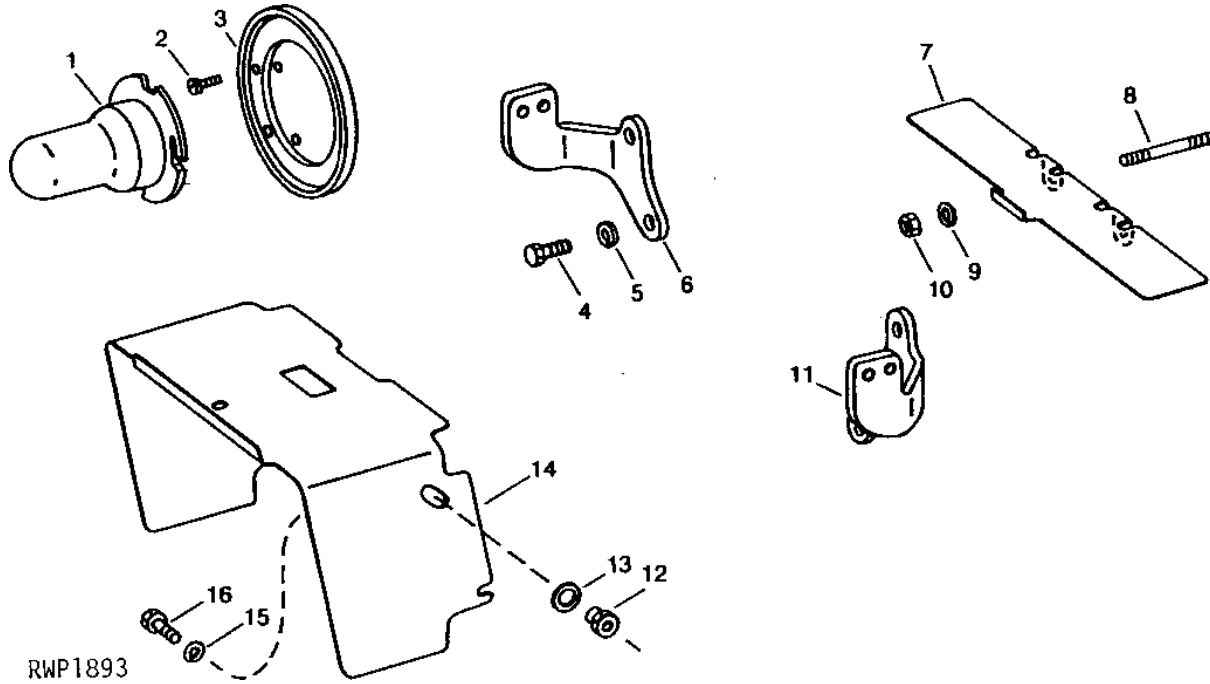
KEY	PART NO.	PART NAME	QTY	TRACTOR			REMARKS
				SERIAL NO.			
				4	4	4	
				0	2	4	
				5	5	5	
				0	0	0	
1	R94286	GASKET	1		X	X X	
2	R26286	O-RING	8		X	X X	
3	R60038	PACKING	1		X	X X	
4	R26919	WASHER	1		X	X X	
5	RE12535	KIT	1	-006509	X		(ALSO ORDER R100939)
	RE12535	KIT	1	006510-	X		(ALSO ORDER R83156)
	RE12535	KIT	1		X	X	(ALSO ORDER R100939)

4D23

POWER TRAIN

**PTO MASTER SHIELD AND REAR GUARD
(QUAD-RANGE TRANSMISSION)**

RWP1893 -UN-18OCT94



RWP1893

KEY	PART NO.	PART NAME	QTY	TRANSMISSION			REMARKS
				SERIAL NO.	4	5	
					4	4	
					0	2	4
					5	5	5
					0	0	0
1	AR26782	GUARD	1	-XXXXXX	X	X	(A)
2	R27329	SCREW	2	-XXXXXX	X	X	(A)
3	AR26707	RETAINER	1	-XXXXXX	X	X	(A)
4	19H1777	CAP SCREW	4		X	X	1/2" X 1-3/4"
5	12H301	LOCK WASHER	4		X	X	1/2"
6	R63611	SUPPORT	1		X	X	
7	R63609	SHIELD	1		X	X	
8	D488R	STUD	2		X	X	
9	12H301	LOCK WASHER	2		X	X	1/2"
10	14H1040	NUT	2		X	X	1/2"
11	R63610	SUPPORT	1		X	X	
12	R63607	WELD NUT	2		X	X	
13	R73290	WASHER	2		X	X	
14	R69628	SHIELD	1		X	X	
15	12H304	LOCK WASHER	2		X	X	3/8"
16	19H1731	CAP SCREW	2		X	X	3/8" X 1"

(A) (-XXXXXX) SERIAL NO. 4050/4250-007004; 4450-006753

4E9

POWER TRAIN

**CLUTCH HOUSING PARTS - CONTINUED
(POWER SHIFT TRANSMISSION)**

KEY	PART NO.	PART NAME	QTY	SERIAL NO.	4 0 5 0	4 2 5 0	4 4 5 0	REMARKS
1	T13119	O-RING	1		X	X	X	
2	R72469	OIL TUBE	1		X	X	X	
3	P47889	O-RING	1		X	X	X	
4	R26906	O-RING	1		X	X	X	
5	R27474	DRAIN PLUG	1		X	X	X	OIL LEAD HOLE
6	AR79470	TEE FITTING	1		X	X	X	
7	R26286	O-RING	1		X	X	X	
8	19H1707	CAP SCREW	8		X	X	X	(A) 3/4" X 2-3/4"
9	R26286	O-RING	1		X	X	X	
10A	RE25659	HYDR OIL TEMP SENSOR	1	-XXXXXX	X	X	X	(B) (G) CLUTCH OIL TEMPERATURE, (ALSO ORDER R71210) (SUB FOR RE12183 OR RE12184)
	RE12331	CONNECTOR	1	-XXXXXX	X	X	X	(G)
10B	R27094	DRAIN PLUG	1	XXXXXX-	X	X	X	(H)
11	R99286	GASKET	1	-XXXXXX	X	X	X	(A) (E) (SUB FOR R77641)
	R83156	GASKET	1	XXXXXX-	X			(A) (6359T ENGINE)
	R101150	GASKET	1		X			(6359T ENGINE) (HALF GASKET)
	R90249	GASKET	1		X	X	X	(B) (HALF GASKET)
	R100939	GASKET	1	XXXXXX-	X	X	X	(A) (F) (6466D ENGINE) (SUB FOR R83157 OR R99287)
12	R68206	CAP SCREW	6			X	X	(B) HS, SAE 8
	R68206	CAP SCREW	6	-XXXXXX	X			(B) (E) HS, SAE 8
	19H3238	CAP SCREW	6	XXXXXX-	X			(B) (F) 1/2" X 2-1/8"
13	R79220	WASHER	6		X	X	X	
14	R27094	DRAIN PLUG	1		X	X	X	TEST PORT
15	R26286	O-RING	1		X	X	X	
16	R27175	DRAIN PLUG	1	-XXXXXX	X	X	X	(C)
17	F3171R	O-RING	1	-XXXXXX	X	X	X	(C)
18	15H665	PIPE PLUG	1	XXXXXX-	X	X	X	(D) 3/4" OIL FEED HOLE
19	R26906	O-RING	1		X	X	X	
20	R27474	DRAIN PLUG	1		X	X	X	OIL DRAIN

- (A) CLUTCH HOUSING TO CYLINDER BLOCK
- (B) OIL PAN TO CLUTCH HOUSING
- (C) (-XXXXXX) TRANSMISSION SERIAL NO. 4050-002134; 4250-003552; 4450-007619
- (D) (XXXXXX-) TRANSMISSION SERIAL NO. 4050-002135; 4250-003553; 4450-007620
- (E) (-XXXXXX) TRACTOR SERIAL NO. 4050-006509; 4250-011345; 4450-022618
- (F) (XXXXXX-) TRACTOR SERIAL NO. 4050-006510; 4250-011346; 4450-022619
- (G) (-XXXXXX) TRACTOR SERIAL NO. 4050-006593; 4250-011453; 4450-022781
- (H) (XXXXXX-) TRACTOR SERIAL NO. 4050-006594; 4250-011454; 4450-022782

4E21

POWER TRAIN

**INPUT PLANETARY CLUTCH AND BRAKE INSTALLATION KIT - CONTINUED
(POWER SHIFT TRANSMISSION)**

KEY	PART NO.	PART NAME	QTY	TRACTOR SERIAL NO.			REMARKS
				4	4	4	
				0	2	4	
				5	5	5	
				0	0	0	
1	R73284	RING	3	X	X	X	SEALING
2	R27166	O-RING	2	X	X	X	
3	R27166	O-RING	2	X	X	X	
4	R73718	TUBE	2	X	X	X	
5	R26482	RING	2	X	X	X	BACKUP
6	R375R	O-RING	2	X	X	X	
7	P47889	O-RING	2	X	X	X	
8	R72934	SNAP RING	1	X	X	X	
9	R43273	SNAP RING	1	X	X	X	
10	R72168	RING	2	X	X	X	SEALING
11	R41168	CAP SCREW	4	X	X	X	
12	R73203	SHIM	AR	X	X	X	0.05 MM (.002")
	R73204	SHIM	AR	X	X	X	0.10 MM (.004")
	R73205	SHIM	AR	X	X	X	0.20 MM (.008")
13	R41041	CAP SCREW	1				(4650/4850)
14	R57725	SCREW	5	X	X	X	
15	JD8915	BEARING CONE	1	X	X	X	
16	R394R	O-RING	1	X	X	X	
17	R76937	WASHER	1	X	X	X	
18	R72812	CAP SCREW	1	X	X	X	
19	R43257	CAP SCREW	3	X	X	X	
20	RE12538	KIT	1	-006509	X		(ALSO ORDER R100939)
	RE12538	KIT	1		X	X	(A) (ALSO ORDER R100939)

(A) ALSO USED ON 4050E AND 4250E

4F8

POWER TRAIN

**OUTPUT PLANETARY CARRIER - CONTINUED
(POWER SHIFT TRANSMISSION)**

KEY	PART NO.	PART NAME	QTY	TRANSMISSION SERIAL NO.	4 4		REMARKS
					0 2 4	5 5 4	
					0 0 5	E E 0	
1	RE15780	PINION	1		X X		(C) (MARKED R79720)
2	R78007	PINION	1		X X		(B) SUN
3	AR94137	PINION	1		X X		(A) SUN
4	R71922	BUSHING	1		X X		
5	R71750	BUSHING	1		X X		
6	RE17689	PLANET PINION CARRIER	1		X X		(MARKED R80732)
7	400R	BALL	6		X X		
8	RE17688	PINION SHAFT	6		X X		
9	R85041	BUSHING	2		X X		
10	AR100146	PINION	1		X X		(D) SUN
11	15H560	PIPE PLUG	6		X X		1/16", (SUB FOR R81530)
12	R38295	NEEDLE ROLLER	6		X X		
13	R66197	THRUST WASHER	18		X X		
14	R71405	PINION	3		X X		(C)
15	R60755	NEEDLE ROLLER	432		X X		
16	R78658	SPACER	6		X X		
17	R71406	PINION	3		X X		(D)
18	R86557	PLANET PINION	3		X X		(A) (B)
19	R78657	WASHER	3		X X		

- (A) FIRST PLANET
- (B) SECOND PLANET
- (C) THIRD PLANET
- (D) FOURTH PLANET

4F20

POWER TRAIN

**TRANSMISSION INSTALLATION KIT - CONTINUED
(POWER SHIFT TRANSMISSION)**

KEY	PART NO.	PART NAME	QTY	TRANSMISSION			REMARKS
				SERIAL NO.	4 4 4	0 2 4	
					5 5 5		
					0 0 0		
1	R72812	CAP SCREW	1		X X X		
2	R43257	CAP SCREW	3		X X X		
3	H36256	O-RING	1		X X X		
4	R33248	PISTON RING	1		X X X		
5	AR101654	SEAL	1		X X X		
6	R43659	RING	2		X X X		
7	R27166	O-RING	2		X X X		
8	R27166	O-RING	2		X X X		
9	R73718	TUBE	2		X X X		
10	R375R	O-RING	2		X X X		
11	P47889	O-RING	2		X X X		
12	R72934	SNAP RING	1		X X X		
13	R43273	SNAP RING	1		X X X		
14	R72168	RING	2		X X X		
15	R41168	CAP SCREW	4		X X X		
16	R41041	CAP SCREW	1			(A) (B)	
17	R57725	SCREW	5		X X X		
18	R394R	O-RING	1		X X X		
19	R26137	SNAP RING	1		X X X		
20	R31378	O-RING	3		X X X		
21	R72631	RING	2		X X X		
22	RE14439	SEAL	1		X X X	(SUB FOR AR72992)	
23	T38558	O-RING	1		X X X		
24	R94447	GASKET	1		X X X	(SUB FOR R72105)	
25	A4847R	WASHER	1		X X X		
26	R72626	RING	2		X X X		
27	F2741R	PACKING	2		X X X		
28	R28819	WASHER	3		X X X		
29	C19243	SNAP RING	1		X X X		
30	R69580	CAP SCREW	6		X X X		
31	T13119	O-RING	1		X X X		
32	P47889	O-RING	1		X X X		
33	RE12531	KIT	1	-006509	X	(G) (ALSO ORDER R100939)	
	RE12531	KIT	1		X	(ALSO ORDER R100939) (4050E)	
	RE12531	KIT	1		X X	(ALSO ORDER R100939)	
..	R73091	O-RING	24		X X X	(A) REAR AXLE SCREWS	
..	R375R	O-RING	4		X X X	(A) BRAKE PISTON HSG. TO TRANS. CASE	
..	R94450	GASKET	1		X X X	(A) TRANS. OIL PUMP, (SUB FOR R71182)	
..	R92409	GASKET	1		X X X	(A) (C) (SUB FOR R72683)	
..	R72726	GASKET	1			(A) (B) (C)	
..	R40912	GASKET	1		X X X	(A) (D)	
..	R43376	GASKET	1			(A) (B) (D)	
..	R92411	GASKET	1		X X X	(A) (E) (SUB FOR R40947 OR R80965)	
..	R43408	GASKET	1			(A) (B) (E)	
..	R33337	GASKET	1		X X X	(A) (F)	
..	R58900	GASKET	1			(A) (B) (F)	

- (A) INCLUDED IN RE12531 KIT
- (B) NOT USED IN THIS APPLICATION
- (C) CLUTCH HOUSING TO TRANSMISSION CASE
- (D) TRANSMISSION CASE COVER
- (E) ROCKSHAFT HOUSING TO TRANSMISSION CASE
- (F) POWERSHAFT REAR BEARING QUILL
- (G) TRACTOR SERIAL NO.

4G6

POWER TRAIN

**TRANSMISSION CONTROLS CENTER ASSEMBLY - CONTINUED
(POWER SHIFT TRANSMISSION)**

KEY	PART NO.	PART NAME	QTY	TRANSMISSION			REMARKS
				SERIAL NO.	0 0 0	5 5 5	
					4 4 4		
					0 2 4		
					5 5 5		
					0 0 0		
1	19M7167	CAP SCREW	4		X X X	M10 X 25	
2	19H2545	CAP SCREW	2		X X X	3/8" X 1-3/8"	
	19H2023	CAP SCREW	1		X X X	(A) 3/8" X 3-1/4", REAR	
3	R74276	BRACKET	1		X X X		
4	R78296	SCREW	1		X X X		
5	R74056	SUPPORT	2		X X X		
6	AR98791	BUSHING	4		X X X		
7	AR103485	SEAL	2		X X X		
8	19M7372	CAP SCREW	4		X X X	M5 X 16	
9	34M7102	SPRING PIN	2		X X X	5 X 26 MM	
10	R74107	BELLCRANK	1		X X X	SPEED SELECTOR	
11	R74109	SHAFT	2		X X X		
12	R74108	BELLCRANK	1		X X X	REVERSE VALVE OPERATING	
13	R105371	WASHER	1		X X X		
14	R78454	WING NUT	1		X X X		
15	19H2128	CAP SCREW	1		X X X	3/8" X 3"	
16	12H304	LOCK WASHER	1		X X X	3/8"	
17	24H1303	WASHER	1		X X X	13/32" X 11/16" X 0.065"	
18	R51655	HALF CLAMP	2		X X X		
19	28H1524	SPACER	1		X X X	3/8" X 7/8"	
20	R42009	CLAMP	2		X X X		
21	28H1689	SPACER	1		X X X	3/8" X 5/8"	
22	R46414	CLAMP	1		X X X		
23	R74277	BRACKET	1	-002724	X		
	R75323	SUPPORT	1	002725-	X		
	R75323	SUPPORT	1		X X		
24	AT116162	RUBBER MOUNT	2		X X X		
25	24M7149	WASHER	2		X X X	10.500 X 30 X 2.500 MM	
26	14H1076	NUT	2		X X X	3/8"	
27	T25473	SPACER	1		X X X		
28	N110000	CLIP	1		X X X		
29	12H304	LOCK WASHER	1		X X X	3/8"	
30	19H1925	CAP SCREW	1		X X X	3/8" X 4-1/4"	
31	R26417	SPACER	1		X X X	(A) REAR	
32	T24959	CLAMP	1		X X X	(A) REAR	

(A) NOT USED IN U.S. AND CANADA

4G17

POWER TRAIN

**TRANSMISSION OIL PUMP - CONTINUED
(POWER SHIFT TRANSMISSION)**

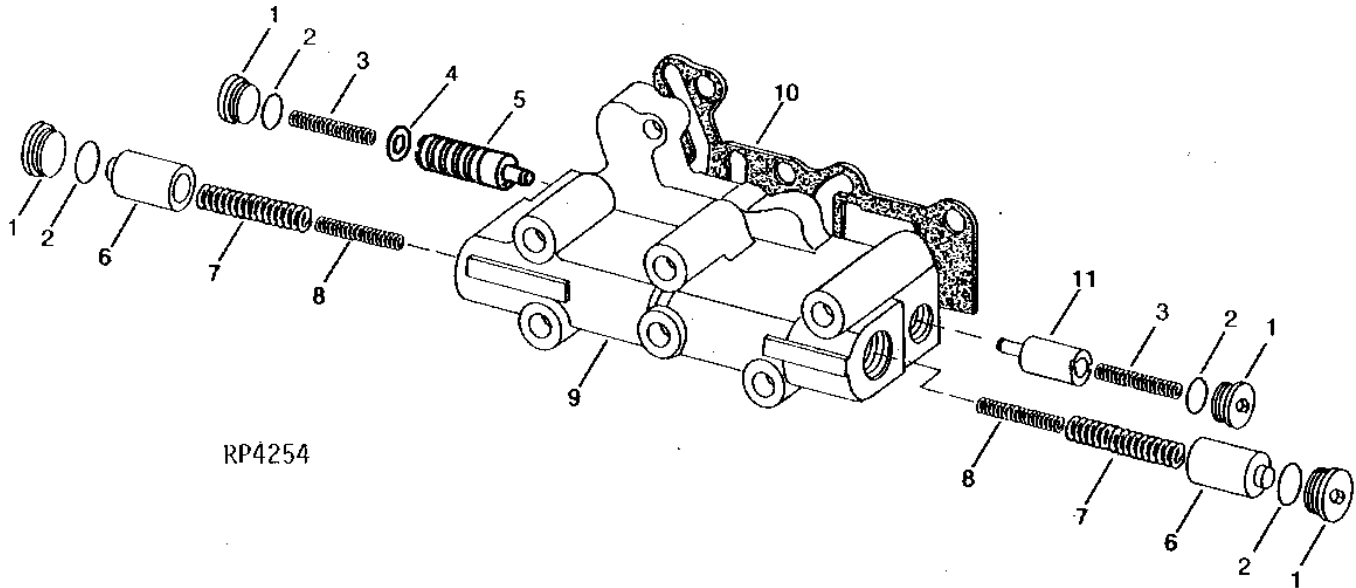
KEY	PART NO.	PART NAME	QTY	TRANSMISSION			REMARKS
				SERIAL NO.	4 4 4	0 2 4	
1	R94450	GASKET	1		X X X		(SUB FOR R71182)
2	R38295	NEEDLE ROLLER	2		X X X		
3	40M1818	SNAP RING	1		X X X		
4	40M1855	SNAP RING	2		X X X		
5	JD10454	BALL BEARING	1		X X X		(SUB FOR JD10131)
6	R39332	CAP SCREW	2		X X X		
7	R76718	MANIFOLD	1	-XXXXXX	X X X		(C) (SUB R81557, R79792, (2) R79793, R79794, R79803, R79796 AND R79797)
	R76718	MANIFOLD	1	XXXXXX-XXXXXX	X X X		(D) (E) (SUB R81557)
	R81557	MANIFOLD	1	XXXXXX-	X X X		(F)
8	R46567	CAP SCREW	2		X X X		
9	R51029	DOWEL PIN	1		X X X		
10	R42881	DOWEL PIN	1		X X X		
11	RE15965	HOUSING	1	-XXXXXX	X X X		(A) (SUB RE19988 AND JD10306)
	RE18102	HOUSING	1	XXXXXX-XXXXXX	X X X		(B) (E) (SUB RE19988 AND JD10306)
	RE19988	HOUSING	1	XXXXXX-	X X X		(F)
12	JD9906	NEEDLE BEARING	1	-XXXXXX	X X X		(E) (SUB JD10306)
	JD10306	NEEDLE BEARING	1	XXXXXX-	X X X		(F)
13	AR104626	SHAFT	1	-XXXXXX	X X X		(SUB R79252) (ALSO ORDER RE19988, JD10306 AND 26H72)
	R79252	SHAFT	1	XXXXXX-	X X X		(B)
14	26H67	SHAFT KEY	1	-XXXXXX	X X X		(A) 1/8" X 3/8", (SUB 26H72) (ALSO ORDER R79252, RE19988 AND JD10306)
	26H72	SHAFT KEY	1	XXXXXX-	X X X		(B) 1/8" X 5/8"
15	AR105738	PUMP	1	-XXXXXX	X X X		(C) ASSEMBLED, (SUB RE19982, (2) R79793, R79794, R79792, R79803, R79796 AND R79797)
	AR105738	PUMP	1	XXXXXX-XXXXXX	X X X		(D) (E) (SUB RE19982)
	RE19982	PUMP	1	XXXXXX-	X X X		(F)

- (A) (-XXXXXX) SERIAL NO. 4050-002260; 4250-003942; 4450-008889
- (B) (XXXXXX-) SERIAL NO. 4050-002261; 4250-003943; 4450-008890
- (C) (-XXXXXX) SERIAL NO. 4050-002134; 4250-003552; 4450-007619
- (D) (XXXXXX-) SERIAL NO. 4050-002135; 4250-003553; 4450-007620
- (E) (-XXXXXX) SERIAL NO. 4050-002708; 4250-004946; 4450-011834
- (F) (XXXXXX-) SERIAL NO. 4050-002709; 4250-004947; 4450-011835

4H3

POWER TRAIN

**MODULATING VALVES AND HOUSING
(POWER SHIFT TRANSMISSION)**
RP4254 -UN-01JAN94



RP4254

KEY	PART NO.	PART NAME	QTY	TRACTOR SERIAL NO.	REMARKS
				4 4 4	
				0 2 4	
				5 5 5	
				0 0 0	
1	T58477	FITTING	4		X X X
2	R26906	O-RING	4		X X X
3	R73094	SPRING	2		X X X
4	24H1285	WASHER	AR		X X X 17/64" X 7/16" X 0.065"
5	R79797	VALVE	1	-XXXXXX	X X X C3 METERING, (SUB FOR R71810)
	R89753	VALVE	1	XXXXXX-	X X X
6	R71811	PISTON	2		X X X ACCUMULATOR
7	R76865	SPRING	2		X X X
8	R76866	SPRING	2		X X X
9	R70757	HOUSING	1		X X X
10	R92469	GASKET	1		X X X (SUB FOR R77929)
11	R79796	VALVE	1		X X X B4 METERING, (SUB FOR R76747)

CLICK HERE TO **DOWNLOAD** THE COMPLETE MANUAL

- Thank you very much for reading the preview of the manual.
- You can download the complete manual from: www.heydownloads.com by clicking the link below



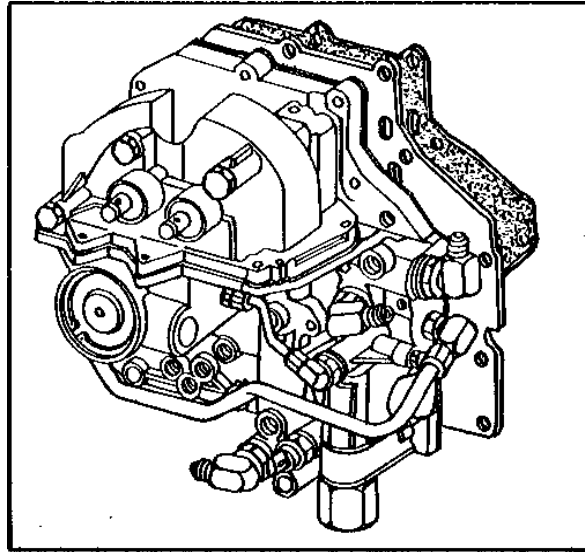
- Please note: If there is no response to CLICKING the link, please download this PDF first and then click on it.

CLICK HERE TO **DOWNLOAD** THE COMPLETE MANUAL

4H14

POWER TRAIN

TRANSMISSION CONTROL VALVE HOUSING ASSEMBLY
(POWER SHIFT TRANSMISSION)
RP2885 -UN-01JAN94



RP2885

KEY	PART NO.	PART NAME	QTY	TRANSMISSION SERIAL NO.	REMARKS
				4 4 4 0 2 4 5 5 5 0 0 0	
1	RE15950	HOUSING	1	-XXXXXX X X X	(A) ASSEMBLED COMPLETE, (SUB FOR AR104165) (SUB RE24028) (ALSO ORDER AR50796, RE19044, AE24616 AND (5) T22851)
	RE19037	HOUSING	1	XXXXXX-XXXXXX X X X	(B) (C) (ALSO ORDER (5) T22851) (SUB RE24028)
	RE23021	HOUSING	1	XXXXXX-014126 X X X	(D) (ALSO ORDER (5) T22851) (SUB RE24028)
	RE24028	HOUSING	1	014127- X X X	(ALSO ORDER (5) T22851)

(A) (-XXXXXX) SERIAL NO. 4050-002549; 4250-004779; 4450-011285
 (B) (XXXXXX-) SERIAL NO. 4050-002550; 4250-004780; 4450-011286
 (C) (-XXXXXX) SERIAL NO. 4050/4250-005373; 4450-012575
 (D) (XXXXXX-) SERIAL NO. 4050/4250-005374; 4450-012576

5B14

DIFFERENTIAL LOCK, REAR AXLE AND MFWD CLUTCH

DIFFERENTIAL LOCK VALVE OIL LINES - CONTINUED

KEY	PART NO.	PART NAME	QTY	SERIAL NO.	REMARKS
					4 4 4
					0 2 4
					5 5 5
					0 0 0
1	R26286	O-RING	1		X X X
2	AT32333	ELBOW FITTING	1		X X X (SUB FOR AR26771)
3	AR57227	LINE	1	-029098	X X X (F) (SUB RE22666)
	RE22666	HYDRAULIC LINE	1	029099-	X X X (F) RETURN
4	R26448	O-RING	1		X X X
5	R46856	FITTING	1		X X X
6	U45768	ELBOW FITTING	1		X X X
7	AR103484	HYDRAULIC LINE	1		X X X (SOUND-GARD BODY)
	AR86827	HYDRAULIC LINE	1		X X X (LESS SOUND-GARD BODY)
8	R26287	O-RING	1		X X X
9	AR36097	FITTING	1	-029098	X X X (F)
	RE18991	TEE FITTING	1	029099-	X X X (F)
10	28H1519	WASHER	1		X X X 3/8" X 3/8"
11	R34933	CLAMP	2		X X X
12	24H1303	WASHER	1		X X X 13/32" X 11/16" X 0.065"
13	12H304	LOCK WASHER	1		X X X 3/8"
14	19H1731	CAP SCREW	1		X X X 3/8" X 1"
15	AR57084	HYDRAULIC LINE	1	-XXXXXX	X X X (C) PRESSURE
	RE19441	HYDRAULIC LINE	1	XXXXXX-	X X X (D) PRESSURE
16	AR64094	TEE FITTING	1	-XXXXXX	X X X (C)
	AR56216	TEE FITTING	1	XXXXXX-	X X X (D)
17	R26572	NUT	1	-XXXXXX	X X X (C)
18	14H1076	NUT	1		X X X 3/8"
19	12H304	LOCK WASHER	1		X X X 3/8"
20	24H1303	WASHER	1		X X X 13/32" X 11/16" X 0.065"
21	R42009	CLAMP	2		X X X
22	28H1517	WASHER	1		X X X 1/2" X 11/16" X .250"
23	AR86823	HYDRAULIC HOSE	1		X X X
24	19H2128	CAP SCREW	1		X X X 3/8" X 3"
25	12H304	LOCK WASHER	1		X X X 3/8"
26	24H1303	WASHER	1		X X X 13/32" X 11/16" X 0.065"
27	R51655	HALF CLAMP	2		X X X
28	M3185T	BUSHING	1		X X X
29	R42009	CLAMP	2		X X X
30	28H1689	SPACER	1		X X X
31	RE12946	HYDRAULIC LINE	1	-002724	X (A) (E)
	RE12955	HYDRAULIC LINE	1	004973-	X (A) (E) (SUB RE44408)
	RE12946	HYDRAULIC LINE	1	-006643	X (B) (E)
	RE12955	HYDRAULIC LINE	1	006644-	X (B) (E) (SUB RE44408)
	RE12955	HYDRAULIC LINE	1		X X (SUB RE44408)
32	R30903	O-RING	1		X X X
33	R39597	ADAPTER	1		X X X
34	AR34697	HYDRAULIC LINE	1		X X X (B)
35	AR34569	FITTING	1		X X X
36	R51494	WASHER	1		X X X
37	28H1519	WASHER	1		X X X 1/2" X 11/16" X .375"
38	R31655	STRAP	2		X X X (A)
39	R31654	CLAMP	2		X X X (A)
40	24H1652	WASHER	2		X X X (A) 13/32" X 11/16" X 7/64"
41	R46567	CAP SCREW	1		X X X (A)
42	AR55974	HYDRAULIC LINE	1		X X X (A)
43	12H304	LOCK WASHER	1		X X X (A) 3/8"
44	R43569	CAP SCREW	1		X X X (A)
45	AR36097	FITTING	1		X X X

- (A) POWER SHIFT TRANSMISSION
- (B) QUAD-RANGE TRANSMISSION
- (C) (-XXXXXX) TRACTOR SERIAL NO. 4050-005251; 4250-009378; 4450-019166
- (D) (XXXXXX-) TRACTOR SERIAL NO. 4050-005252; 4250-009379; 4450-019167
- (E) TRANSMISSION SERIAL NO.
- (F) SOUND GARD BODY SERIAL NO.

5C2

DIFFERENTIAL LOCK, REAR AXLE AND MFWD CLUTCH

PLANETARY AND REAR AXLE - CONTINUED

(86MM AXLE)

(4050 TRANSMISSION SERIAL NO. -002724) (POWER SHIFT TRANSMISSION)

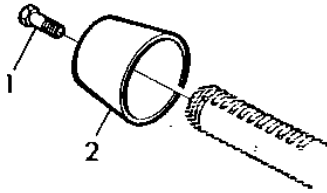
(4050 TRANSMISSION SERIAL NO. -006643) (QUAD-RANGE TRANSMISSION)

KEY	PART NO.	PART NAME	QTY	TRANSMISSION			REMARKS
				SERIAL NO.	0 0 0	5 5 5	
					4 4 4		
					0 2 4		
					5 5 5		
					0 0 0		
1	R53658	SNAP RING	1		X		
2	R60076	SHAFT	1		X	940 MM (37")	
	R60078	SHAFT	1		X	1156 MM (45-1/2")	
3	R65648	SPACER	1		X	13 MM (1/2")	
4	R33026	SEAL	1		X		
5	R57269	OIL CUP	1		X		
6	JD8191	BEARING CONE	1		X		
	JD10002	BEARING CONE	1		X	(UNDERSIZE)	
7	JD8214	BEARING CUP	1		X		
8	15H559	PIPE PLUG	1		X	1/4"	
9	19H1863	CAP SCREW	12		X	5/8" X 3"	
10	R56733	GEAR	1		X		
11	AR81426	HOUSING	1		X	(MARKED R76843)	
12	GASKET	1		X	(ORDER T43514 AND T43511)	
13	R33027	SEAL	1		X		
14	JD8213	BEARING CUP	1		X		
15	JD8177	BEARING CONE	1		X		
16	R65543	DOWEL PIN	3		X		
17	R33022	THRUST WASHER	6		X		
18	R33028	NEEDLE ROLLER	99		X		
19	R56732	PINION	3		X		
20	R63112	PINION SHAFT	3		X		
21	R42101	SHIM	1		X		
22	R33029	SNAP RING	1		X		
23	R82916	PLANET PINION CARRIER	1		X	(SUB FOR R42901)	
24	R72169	SPACER	1		X		
25	R82175	CAP SCREW	1		X	(SUB FOR R60032)	
26	R26012	LOCK PLATE	1		X		
27	R67198	SHAFT	1		X		
..	T43514	GASKET	1		X	PLASTIC	
..	TY6305	PRIMER	1		X		

5C14

DIFFERENTIAL LOCK, REAR AXLE AND MFWD CLUTCH

REAR AXLE SHAFT GUARD
(GERMANY)
L33527 -UN-01JAN94



L 33527

KEY	PART NO.	PART NAME	QTY	TRACTOR SERIAL NO.	4 4 4 0 2 4 5 5 5 0 0 0	REMARKS
1	19H2369	CAP SCREW	2	-XXXXXX	X	3/4" X 1"
	19H2371	CAP SCREW	1	XXXXXX-	X X X	1" X 1-1/2"
2	L55465	GUARD	2	-XXXXXX	X	(SUB FOR L31316)
	R92453	GUARD	2	XXXXXX-	X X X	
..	99M7011	PLUG	2		X X X	

5D2

DIFFERENTIAL LOCK, REAR AXLE AND MFWD CLUTCH

**MFWD CLUTCH BEARING QUILL AND SHAFT - CONTINUED
(QUAD-RANGE TRANSMISSION)**

KEY	PART NO.	PART NAME	QTY	TRANSMISSION	REMARKS
				SERIAL NO.	
				4 4 4	
				0 2 4	
				5 5 5	
				0 0 0	
1	40M7110	SNAP RING	1	X X X	
2	L37663	BUSHING	1	X X X	
3	L37731	O-RING	2	X X X	
4	JD30252	BALL BEARING	1	X X X	
5	48M7040	SEAL	1	X X X	
6	L38483	WASHER	1	X X X	
7	L38482	WASHER	1	X X X	
8	L38718	BALL	1	X X X	
9	RE19820	QUILL	1	X X X	
10	AL58788	SOLENOID VALVE	1	X X X	(SUB FOR AL37367 OR AL55066)
11	R26287	O-RING	1	X X X	
12	R27216	DRAIN PLUG	1	X X X	
13	R81478	SHAFT	1	X X X	
14	19H1815	CAP SCREW	8	X X X	1/2" X 1-1/4"

5D12

DIFFERENTIAL LOCK, REAR AXLE AND MFWD CLUTCH

**MECHANICAL FRONT WHEEL DRIVE DRIVE TRAIN - CONTINUED
(POWER SHIFT TRANSMISSION)**

KEY	PART NO.	PART NAME	QTY	TRANSMISSION			REMARKS
				SERIAL NO.	4 4 4	0 2 4	
					5 5 5		
					0 0 0		
1	C19243	SNAP RING	1		X X X		
2	R71401	GEAR	1		X X X		
3	R46403	SNAP RING	1		X X X		
4	R69580	CAP SCREW	6		X X X		
5	24M7232	WASHER	6		X X X	8.700 X 17 X 2 MM	
6	R42881	DOWEL PIN	2		X X X		
7	AR93152	QUILL	1		X X X	(MARKED R70841)	
8	R73164	SHIM	AR		X X X	1.93 MM (.076")	
	R73165	SHIM	AR		X X X	3.30 MM (.13")	
	R73166	SHIM	AR		X X X	6.35 MM (.25")	
9	JD8210	BEARING CUP	1		X X X		
10	JD8164	BEARING CONE	1		X X X		
11	R70846	SHAFT	1		X X X	DRIVER	
12	R72930	SNAP RING	1		X X X		
13	R34328	BUSHING	1		X X X		
14	R71928	GEAR	1		X X X		
	R72372	GEAR	1		X X X		
	R71928	GEAR	1		X X X	(4050E)	
	R72372	GEAR	1		X X X	(4250E)	
15	JD8158	BEARING CONE	1		X X X		
16	JD9175	BEARING CUP	1		X X X		
17	U15409	SNAP RING	1		X X X		
18	08H4460	CAP SCREW	1		X X X	1/2" X 7-1/2"	
19	T21242	WASHER	1		X X X		
20	R71496	SHAFT	1		X X X	IDLER	
21	AR94761	BEARING CONE	2		X X X		
22	R72090	BEARING CUP	2		X X X		
23	R73162	SPACER	1		X X X		
24	R71236	GEAR	1		X X X		
25	R62191	SNAP RING	1		X X X		
26	R73161	WASHER	1		X X X		
27	R73163	SPACER	1		X X X		
28	R48750	SNAP RING	1		X X X		
29	R72001	GEAR	1		X X X	CLUTCH DRIVER	
30	R64243	SNAP RING	AR		X X X	2.03 MM (.080")	
	R64244	SNAP RING	AR		X X X	2.16 MM (.085")	
	R64245	SNAP RING	AR		X X X	2.29 MM (.090")	
	R64246	SNAP RING	AR		X X X	2.41 MM (.095")	
	R64247	SNAP RING	AR		X X X	2.54 MM (.100")	
	R72929	WEAR RING	AR		X X X	2.67 MM (.105")	
31	JD8216	BEARING CUP	1		X X X		
32	JD8169	BEARING CONE	1		X X X		
33	R71229	SHAFT	1		X X X	IDLER	
34	JD9048	BEARING CONE	1		X X X		
35	JD9113	BEARING CUP	1		X X X		

5E2

MECHANICAL FRONT WHEEL DRIVE AXLE

DRIVELINE SHIELD - CONTINUED
 (MECHANICAL FRONT WHEEL DRIVE)
 (STEEL) (FULL LENGTH)
 (QUAD-RANGE TRANSMISSION)
 (ZF)

KEY	PART NO.	PART NAME	QTY	TRACTOR SERIAL NO.			REMARKS
				4	4	4	
				0	2	4	
				5	5	5	
				0	0	0	
1	R81443	COVER	1		X	X	X
2	RE19747	SUPPORT	1	-XXXXXX	X	X	X (A)
	RE22932	SUPPORT	1	XXXXXX-	X	X	X (B)
3	R80872	STRAP	4	-006525	X		
4	12M7066	LOCK WASHER	4	-006525	X		M10
5	19M7169	CAP SCREW	4	-006525	X		M10 X 35
6	19M7169	CAP SCREW	4	-XXXXXX	X	X	X (A) M10 X 35
	19M7167	CAP SCREW	4	XXXXXX-	X	X	X (B)
7	R81442	COVER	1		X	X	X
8	03M7191	BOLT	4		X	X	X M10 X 25
9	24M7028	WASHER	4		X	X	X 10.500 X 20 X 2 MM
10	14M7274	NUT	4		X	X	X M10
11	24H1305	WASHER	1	XXXXXX-	X	X	X (D)
12	R72371	CAP SCREW	1	XXXXXX-	X	X	X (D)
13A	RE20200	KIT	1	-XXXXXX	X	X	X (C) (SUB RE35997, R53317, R72371, R81432, 19H2551, 24H1305 AND 24H1822)
13B	RE35997	SHIELD	1	XXXXXX-	X	X	X (D)
14	19H1731	CAP SCREW	1		X	X	X (SUB FOR R82389)
15	24H1305	WASHER	1		X	X	X 13/32" X 13/16" X 0.065"
16	R81444	SPACER	1		X	X	X
17	R81436	QUILL	1		X	X	X
18	T38558	O-RING	1		X	X	X
19	RE19401	SEAL	1		X	X	X
20	RE14439	SEAL	1		X	X	X
21	R41041	CAP SCREW	3		X	X	X
22	R53317	LOCK NUT	1		X	X	X
23	R81432	COVER	1		X	X	X
24	24H1822	WASHER	1		X	X	X 11/32" X 7/8" X 1/16"
25	19H2551	CAP SCREW	1		X	X	X 5/16" X 3/4"
26	T34037	SCREW	3	-XXXXXX	X	X	X (C)
27	R81433	COVER	1	-XXXXXX	X	X	X (C)

- (A) (-XXXXXX) SERIAL NO. 4050-006525; 4250-011345; 4450-022618
- (B) (XXXXXX-) SERIAL NO. 4050-006526; 4250-011346; 4450-022619
- (C) (-XXXXXX) SERIAL NO. 4050-008451; 4250-014590; 4450-028728
- (D) (XXXXXX-) SERIAL NO. 4050-008452; 4250-014591; 4450-028729

5E14

MECHANICAL FRONT WHEEL DRIVE AXLE

DIFFERENTIAL - CONTINUED
(MECHANICAL FRONT WHEEL DRIVE)
(ZF)

KEY	PART NO.	PART NAME	QTY	TRACTOR SERIAL NO.			REMARKS
				4	4	4	
				0	2	4	
				5	5	5	
				0	0	0	
1	RE13713	HOUSING	1	X	X	X	SET, (SUB RE15386)
2	R75840	DISK	6	X	X	X	
3	R75839	SEPARATOR	8	X	X	X	
4	R75387	CLUTCH PLATE	AR	X	X	X	2.8 MM (.110")
	R75841	CLUTCH PLATE	AR	X	X	X	3.0 MM (.118")
	R75842	CLUTCH PLATE	AR	X	X	X	2.9 MM (.114")
5	R75843	BEVEL GEAR	2	X	X	X	
6	R75386	THRUST WASHER	4	X	X	X	
7	R75845	PINION	4	X	X	X	
8	R75844	PINION SHAFT	2	X	X	X	
9	34M7125	SPRING PIN	4	X	X	X	7 X 32 MM
10	34M7123	SPRING PIN	4	X	X	X	12 X 30 MM
11	R75846	LOCK PLATE	4	X	X	X	
12	19M8030	CAP SCREW	4	X	X	X	M12 X 90, HS 10.9
13	11M7058	COTTER PIN	8	X	X	X	2 X 25 MM
14	19M8155	CAP SCREW	8	X	X	X	M12 X 90, HS 10.9

5F2

MECHANICAL FRONT WHEEL DRIVE AXLE

FRONT AXLE HOUSING - CONTINUED (MECHANICAL FRONT WHEEL DRIVE) (JD)

KEY	PART NO.	PART NAME	QTY	AXLE			REMARKS
				SERIAL NO.	4 4 4	0 2 4	
					5 5 5		
				0 0 0			
1	R98012	PLUG	2		X X X		
2	P47889	O-RING	2		X X X		
3	U43871	BREATHER	1		X X X		(SUB R83472 AND (3) T14386)
4	RE23174	HOUSING	1		X X X		(MARKED R83472)
5	19M3212	CAP SCREW	20		X X X		M16 X 55
6	R26621	O-RING	2		X X X		
7	T14386	BUSHING	2		X X X		
8	34M7040	SPRING PIN	1		X X X		6 X 30 MM
9	19M8217	CAP SCREW	1		X X X		M20 X 160
10	R71186	LOCK PLATE	1		X X X		
11	R81370	WASHER	1		X X X		
12	R71188	SHIM	AR		X X X		
13	R79996	PIN	1		X X X		
..	RE36280	ADHESIVE	1		X X X		DIFFERENTIAL INPUT HOUSING TO AXLE HOUSING

MEMORANDA

5G2

STEERING AND BRAKES

STEERING REAR OIL LINES - CONTINUED

KEY	PART NO.	PART NAME	QTY	TRACTOR			REMARKS
				SERIAL NO.	4 4 4	0 2 4	
					5 5 5		
					0 0 0		
1	AR67565	HYDRAULIC HOSE	2	-005510	X		METERING PUMP TO STEERING VALVE
	AR85228	HYDRAULIC HOSE	2	005511-	X		
	AR85228	HYDRAULIC HOSE	2		X X		
2	AR70866	ELBOW FITTING	1	-XXXXXX	X X X		(C)
3	R27296	NUT	1	-XXXXXX	X X X		(C)
4	R66626	GROMMET	1		X X X		
5	AR89714	HYDRAULIC HOSE	1	-005510	X		STEERING VALVE RETURN
	RE16368	HYDRAULIC HOSE	1	XXXXXX-	X X X		(G)
	R44302	TIE BAND	1	XXXXXX-	X X X		(G)
	R76477	TIE BAND	1	XXXXXX-	X X X		(G) (SUB FOR R45440)
	R61348	HOSE	1	XXXXXX-	X X X		(G)
6	R66625	GROMMET	1		X X X		
7	19H1900	CAP SCREW	2		X X X		(A) 5/16" X 3/4"
	37H27	SCREW	4		X X X		(B) 5/16" X 7/8"
8	R71611	GROMMET	1		X X X		(A)
	R65849	GROMMET	1		X X X		(B)
9	12H303	LOCK WASHER	2	-XXXXXX	X X X		(A) 5/16"
10	14H785	NUT	2		X X X		(A) 5/16"
11	AR57083	HYDRAULIC LINE	1	-XXXXXX	X X X		(C) STEERING VALVE PRESSURE, LOWER
12	AR93133	HYDRAULIC HOSE	1		X X X		METERING PUMP RETURN
13	R66626	GROMMET	1		X X X		
14A	AR85229	HOSE	1	-005510	X		STEERING VALVE PRESSURE
	AR85230	HOSE	1	005511-XXXXXX	X		(C)
	AR85230	HOSE	1	-XXXXXX	X X		(C)
	AT70689	HYDRAULIC HOSE	1	-021584	X		(GERMANY)
	AR85230	HOSE	1	021585-XXXXXX	X		(E) (GERMANY)
14B	RE17374	HOSE	1	XXXXXX-	X X X		(D)
	RE17374	HOSE	1	XXXXXX-	X X X		(F) (GERMANY)

- (A) SOUND-GARD BODY
- (B) LESS ROLL-GARD OR SOUND-GARD BODY
- (C) (-XXXXXX) SOUND-GARD BODY SERIAL NO. 029098
- (D) (XXXXXX-) SOUND-GARD BODY SERIAL NO. 029099
- (E) (-XXXXXX) SOUND-GARD BODY SERIAL NO. 002212
- (F) (XXXXXX-) SOUND-GARD BODY SERIAL NO. 002213
- (G) (XXXXXX-) SERIAL NO. 4050-005511; 4250-001000; 4450-001000

5G14

STEERING AND BRAKES

STEERING MOTOR - CONTINUED

KEY	PART NO.	PART NAME	QTY	TRACTOR			REMARKS
				SERIAL NO.	5 5 5	0 0 0	
					4 4 4		
					0 2 4		
					5 5 5		
					0 0 0		
1	R39832	ADAPTER	1		X X X		
2	RE12522	FITTING	1		X X X		
3	R27212	FITTING	2		X X X		
4	R26448	O-RING	2		X X X		
5	R51798	BUSHING	1		X X X		
6	R28277	BUSHING	1		X X X		
7	R61316	SLEEVE	2		X X X		
8	R65827	BUSHING	1		X X X		
9	AR101465	SUPPORT	1	-006525	X	(MARKED R71562) (SUB RE27412)	
	AR101466	SUPPORT	1	006526-007022	X	(MARKED R74986) (SUB RE23211)	
	AR101466	SUPPORT	1	-XXXXXX	X X	(A) (MARKED R74986) (SUB RE23211)	
	RE23211	SUPPORT	1	XXXXXX-	X X X	(B) (MARKED R83526)	
10	U10289	O-RING	2		X X X		
11	R55196	PISTON	1		X X X		
12	R31378	O-RING	2		X X X		
13	R71095	WASHER	2		X X X		
14	R61511	PLUG	2		X X X		
15	R55408	WEAR RING	2		X X X		
16	19H1978	CAP SCREW	2		X X X	7/16" X 1-1/2"	
17	R69482	LOCK WASHER	2	-006525	X		
	R69483	SPACER	2	006526-	X		
	R69483	SPACER	2		X X		
18	R49805	SNAP RING	2	-006525	X		
	R61471	WEAR RING	2	006526-	X		
	R61471	WEAR RING	2		X X		
19	R69478	PLUG	2	-006525	X		
	R69479	PLUG	2	006526-	X		
	R69479	PLUG	2		X X		
20	R69480	BACK-UP RING	2	-006525	X		
	R69481	WASHER	2	006526-	X		
	R69481	WASHER	2		X X		
21	R26543	O-RING	2	-006525	X		
	R69484	O-RING	2	006526-	X		
	R69484	O-RING	2		X X		
22	R49804	LOCK WASHER	2	-006525	X		
	R61473	LOCK WASHER	2	006526-	X		
	R49804	LOCK WASHER	2		X X		
23	R65541	WASHER	2		X		
	R61467	O-RING	2		X X		
24	R65542	WASHER	2		X		
	R61468	WASHER	2		X X		
25	R69389	PIN	1		X X X		
26	R41770	SPRING	1		X X X		
27	R63001	SLEEVE	2	-006525	X		
	R81366	SLEEVE	2	006526-	X		
	R61465	SLEEVE	2		X X		
28	R41721	O-RING	2	-006525	X		
	A5598R	O-RING	2	006526-	X		
	A5598R	O-RING	2		X X		
29	R49975	BACK-UP RING	2	-006525	X		
	R61474	WASHER	2	006526-	X		
	R61474	WASHER	2		X X		
30	JD7798	LUBRICATION FITTING	1		X X X		
31	AR70457	KIT	1		X	(MATCHED SET)	
	AR75769	KIT	1		X X	(MATCHED SET)	
32	JD9320	BALL BEARING	1		X X X		
33	F1334R	SNAP RING	1		X X X		
34	C11884	O-RING	1		X X X		
35	RE19787	SEAL	1		X X X	(SUB FOR AT49215, THIS APPLICATION)	
36	R50104	QUILL	1		X X X		
37	12H304	LOCK WASHER	4		X X X	3/8"	
38	19H1800	CAP SCREW	4		X X X	3/8" X 1-1/2"	
39	R61159	STEERING ARM	1		X X X		
40	R64283	LOCK WASHER	1		X X X		
41	R50075	LOCK PLATE	1		X X X		
42	19H1782	CAP SCREW	1		X X X	3/4" X 2-1/4"	

(A) (-XXXXXX) SERIAL NO. 4250-012580; 4450-024155

(B) (XXXXXX-) SERIAL NO. 4050-007023; 4250-012581; 4450-024156

5G25

STEERING AND BRAKES

**STEERING ACCUMULATOR - CONTINUED
(GERMANY AND ITALY)
(LATE DESIGN)**

KEY	PART NO.	PART NAME	QTY	TRACTOR SERIAL NO.	4 4 4 0 2 4 5 5 5 0 0 0			REMARKS
1	R72853	CLAMP	2	XXXXXX-	X	X	(A)	
	R73292	CLAMP	2	024269-		X		
2	R27095	FITTING	1		X	X	X	
3	AU43156	ELBOW FITTING	1	XXXXXX-	X	X	(A)	
	AE24616	ELBOW FITTING	1	-024268		X		
	AU43156	ELBOW FITTING	1	024269-		X		
4	AR98204	HYDRAULIC HOSE	1	XXXXXX-	X	X	(A)	
	AR78830	HYDRAULIC HOSE	1	-021548		X		
	AR98204	HYDRAULIC HOSE	1	021549-		X		
5	AE24616	ELBOW FITTING	1		X	X	X	
6	AR50603	HYDRAULIC HOSE	2	XXXXXX-	X	X	(A)	
	AR78830	HYDRAULIC HOSE	2	-021548		X		
	AR98204	HYDRAULIC HOSE	2	021549-024268		X		
	AR50603	HYDRAULIC HOSE	2	024269-		X		
7	AT36921	TEE FITTING	1		X	X	X	
8	AT39533	CHECK VALVE	1		X	X	X	
9	R76477	TIE BAND	4		X	X	X	(SUB FOR R45440)
10	19H2545	CAP SCREW	1		X	X	X	3/8" X 1-3/8"
11	T24959	CLAMP	1		X	X	X	
12	R26375	O-RING	2		X	X	X	
13	R30815	FITTING	1		X	X	X	
14	L38679	FITTING	1		X	X	X	
15	AL36996	HYDRAULIC HOSE	1		X	X	X	
16	AL35654	ELBOW FITTING	1		X	X	X	
17	AL36927	ACCUMULATOR	1		X	X	X	
18	AL37124	CLAMP	1		X	X	X	
19	14M7276	NUT	2		X	X	X	M16
20	24M7053	WASHER	2		X	X	X	17 X 30 X 3 MM
21	L39237	STRAP	1		X	X	X	
22	L39138	SEAL	1		X	X	X	
23	L39236	RETAINER	1		X	X	X	
24	19M7656	CAP SCREW	2		X	X	X	M16 X 220
25	AH94862	HOSE	1		X	X	X	
26	T21959	ISOLATOR	3		X	X	X	
..	AR93828	MOLDING	1	-024268		X		756MM (30")

(A) (XXXXXX-) SERIAL NO. 4050-007162; 4250-012779

5H10

STEERING AND BRAKES

REAR BRAKE OIL LINES - CONTINUED

KEY	PART NO.	PART NAME	QTY	TRANSMISSION			REMARKS
				SERIAL NO.	4 4 4	0 2 4	
					5 5 5		
					0 0 0		
1	19H1925	CAP SCREW	1	-XXXXXX	X		(A) (E) 3/8" X 4-1/4"
	19H2128	CAP SCREW	1	-XXXXXX	X		(B) (E) 3/8" X 3"
	19H2229	CAP SCREW	1	XXXXXX-	X		(A) (F) 3/8" X 5-1/4"
	19H2228	CAP SCREW	1	XXXXXX-	X		(B) (F) 3/8" X 4"
	19H2229	CAP SCREW	1		X X		(A) 3/8" X 5-1/4"
	19H2228	CAP SCREW	1		X X		(B) 3/8" X 4"
2	12H304	LOCK WASHER	1		X X X		3/8"
3	24H1303	WASHER	1		X X X		13/32" X 11/16" X 0.065"
4	R57549	CLAMP	2		X X X		
5	AR95970	HYDRAULIC LINE	1	-XXXXXX	X		(E) L.H.
	AR96744	OIL LINE	1	XXXXXX-	X		(F) L.H. (SUB RE29079)
	AR96744	OIL LINE	1		X X		L.H. (SUB RE29079)
6	28H1521	SPACER	1	-XXXXXX	X		(E) 3/8" X 9/16"
	28H1497	BUSHING	1	XXXXXX-	X		(F) 3/8" X 1"
	28H1497	BUSHING	1		X X		
7	R27272	FITTING	2		X X X		
8	R26286	O-RING	4		X X X		
9	AR66805	HYDRAULIC LINE	1	-XXXXXX	X		(E) R.H.
	AR79974	HYDRAULIC LINE	1	XXXXXX-	X		(F) R.H.
	AR79974	HYDRAULIC LINE	1		X X		R.H.
10	AR78972	HYDRAULIC HOSE	2		X X X		
11	28H1689	SPACER	1	-XXXXXX	X X X		(A) (C) 3/8" X 5/8"
	R80671	SPACER	1	XXXXXX-	X X X		(A) (D) 3/8" X 7/8"
	28H1524	SPACER	1	-XXXXXX	X X X		(B) (C) 0.493" X 0.675" X 7/8"
	R81005	SPACER	1	XXXXXX-	X X X		(B) (D)
12	R42009	CLAMP	2	-XXXXXX	X X X		(C)
	R81004	CLAMP	2	XXXXXX-	X X X		(D)
13	24H1304	WASHER	1		X X X		13/32" X 23/32" X 0.120"
14	12H304	LOCK WASHER	1		X X X		3/8"
15	19H2128	CAP SCREW	1		X X X		3/8" X 3"
16	R27906	SCREW	2		X X X		(SUB RE42567)
17	R27296	NUT	2		X X X		
18	R42849	BALL	2		X X X		10MM (3/8")

- (A) POWER SHIFT TRANSMISSION
- (B) QUAD-RANGE TRANSMISSION
- (C) (-XXXXXX) SERIAL NO. 4050/4250-006771; 4450-006125 (QUAD-RANGE)
- (-XXXXXX) SERIAL NO. 4050/4250-005062; 4450-012006 (POWER SHIFT)
- (D) (XXXXXX-) SERIAL NO. 4050/4250-006772; 4450-006126 (QUAD-RANGE)
- (XXXXXX-) SERIAL NO. 4050/4250-005063; 4450-012007 (POWER SHIFT)
- (E) (-XXXXXX) SERIAL NO. 4050-006643 (QUAD-RANGE)
- (-XXXXXX) SERIAL NO. 4050-002724 (POWER SHIFT)
- (F) (XXXXXX-) SERIAL NO. 4050-006644 (QUAD-RANGE)
- (XXXXXX-) SERIAL NO. 4050-002725 (POWER SHIFT)

5H22

STEERING AND BRAKES

**SECONDARY BRAKE CONTROLS - CONTINUED
(NOT USED IN U.S. AND CANADA)**

KEY	PART NO.	PART NAME	QTY	TRACTOR SERIAL NO.	4 4	REMARKS
					0 2 4 5 5 4 0 0 5 E E 0	
1	19M7170	CAP SCREW	1		X X X	M10 X 50
2	L61302	BUSHING	2		X X X	(SUB FOR R71878)
3	R73674	ARM	1		X X X	
4	26M4227	SHAFT KEY	2		X X X	6 X 22 MM
5	R73673	SHAFT	1		X X X	
6	AL36409	HANDBRAKE LEVER	1	-022781	X	(MARKED R71879)
	AL36409	HANDBRAKE LEVER	1	022782-	X	(MARKED L42066)
	AL36409	HANDBRAKE LEVER	1	XXXXXX-	X X	(A)
7	T21595	PIN	1		X X X	(SUB L62606)
8	T21576	SPRING	1	-022781	X	
	L42044	COMPRESSION SPRING	1	022782-	X	
	L42044	COMPRESSION SPRING	1	XXXXXX-	X X	(A)
9	R71880	ROD	1		X X X	
10	24M7207	WASHER	1		X X X	8.400 X 24 X 2 MM
11	19M7162	CAP SCREW	1		X X X	M8 X 16
12	34M7093	SPRING PIN	1		X X X	2 X 12 MM
13	L38392	PANEL	1		X X X	
14	R52937	CAP SCREW	3		X X X	
15	R71881	LATCH	1	-022781	X	
	L42047	PAWL	1	022782-	X	
	L42047	PAWL	1	XXXXXX-	X X	(A)
16	L55078	MAGNET	1	022782-	X	
	L55078	MAGNET	1	XXXXXX-	X X	(A)
17	21M7138	SCREW	1	022782-	X	M4 X 12
	21M7138	SCREW	1	XXXXXX-	X X	(A)
18	L42065	STRAP	1	022782-	X	
	L42065	STRAP	1	XXXXXX-	X X	(A)
19	AL41529	SWITCH	1	022782-	X	
	AL41529	SWITCH	1	XXXXXX-	X X	(A)
20	21M7380	SCREW	2	022782-	X	M4 X 20
	21M7380	SCREW	2	XXXXXX-	X X	(A)
21	19M7715	CAP SCREW	2	-022781	X	M4 X 30
22	AR62072	SWITCH	1	-022781	X	
23	L32801	STRAP	1	-022781	X	
24	24H1261	WASHER	2		X	9/16" X 1-1/8" X 0.060"
	24H1261	WASHER	4		X X	9/16" X 1-1/8" X 0.060"
25	14H847	NUT	1		X X X	9/16"
26	12H304	LOCK WASHER	2		X X X	3/8"
27	19H2021	CAP SCREW	2		X X X	3/8" X 5/8"
28	14H846	NUT	1		X X X	3/8"
29	T13606	YOKE	1		X X X	
30	11M7012	COTTER PIN	1		X X X	3.200 X 16 MM
31	45M3667	PIN	1		X X X	
32	R73675	BRACKET	1		X X X	
33	C1067R	PIN	1		X X X	
34	11M7082	COTTER PIN	1		X X X	2.500 X 25 MM

(A) (XXXXXX-) SERIAL NO. 4050-007162; 4250-012779

6B19

HYDRAULICS

HYDRAULIC PUMP - MODEL GA1-GL1 - CONTINUED
50 CM3 (3 IN.3)

KEY	PART NO.	PART NAME	QTY	PUMP			REMARKS
				SERIAL NO.	4 4 4	0 2 4	
					5 5 5		
					0 0 0		
1	R45438	FITTING	8		X X X		
2	R56463	O-RING	8		X X X		
3	AR101236	SHIELD	1		X X X	(SET OF 8)	
4	AR76762	SPRING	1		X X X	(SET OF 8)	
5	R27150	PISTON	8		X X X		
6	R26137	SNAP RING	1		X X X		
7	RE28790	SEAL	1		X X X	(SUB FOR AR52224)	
8	R78293	FITTING	8		X X X		
9	R27149	O-RING	8		X X X		
10	AR53301	VALVE	8		X X X	(INLET)	
11	R105583	SEAT	8		X X X		
12	F3171R	O-RING	1		X X X	(USE WITH R71586)	
	U13639	O-RING	1		X X X	(USE WITH R73741)	
13	R27175	DRAIN PLUG	1		X X X	(USE WITH R71586)	
	R39741	DRAIN PLUG	1		X X X	(USE WITH R73741)	
14	RE11804	HOUSING	1		X X X	(MODEL PJ1) (MARKED R71586 OR R73741)	
15	R49297	DISK	8		X X X		
16	R39228	SPRING	8		X X X		
17	R48738	GUIDE	8		X X X		
18	R83508	STOP	8		X X X	(SUB FOR R72886)	
19	RE23382	VALVE	8		X X X	(OUTLET) (SUB FOR AR96613)	
20	JD8223	BEARING CUP	2		X X X		
21	JD8192	BEARING CONE	2		X X X		
22A	R77903	WASHER	2	-023628	X X X	(A)	
22B	R79151	LOCK WASHER	2	023629-	X X X	(A) (USE WITH R79152)	
	R79151	LOCK WASHER	2	001001-	X	(B) (USE WITH R79152)	
23	R72507	THRUST WASHER	2		X X X		
24	R77611	RING	1		X X X	(SEALING) (SUB FOR RE11777)	
25A	R71598	SHAFT	1	-023628	X X X	(A) (SUB R79152) (ALSO ORDER (2) R79151)	
25B	R79152	SHAFT	1	023629-	X X X	(A)	
	R79152	SHAFT	1	001001-	X	(B)	
26	R45422	NEEDLE ROLLER	25		X X X		
27	R80558	BEARING RACE	1		X X X	(SUB FOR R72506)	
28	R27478	SHIM	AR		X X X	0.15MM (.006")	
	R27479	SHIM	AR		X X X	0.25MM (.010")	
..	AR94660	HYDRAULIC PUMP	1		X X X	(A)	

(A) MODEL GA1 - REPLACEMENT PUMP FOR MODEL GL1
 (B) MODEL GL1 - ORIGINAL EQUIPMENT PUMP NOT USED IN U.S. AND CANADA

6C6

HYDRAULICS

HYDRAULIC OIL COOLER AND LINES - CONTINUED

(4050 TRACTOR SERIAL NO. 005511-)
 (4250 TRACTOR SERIAL NO. 001000-)
 (4450 TRACTOR SERIAL NO. 001000-)

KEY	PART NO.	PART NAME	QTY	TRACTOR SERIAL NO.	4 0 5 0	4 2 5 0	4 4 5 0	REMARKS
1	R62662	SCREW	1	-XXXXXX	X	X	X	(A)
2	R27928	O-RING	1	-XXXXXX	X	X	X	(A) (TOP)
	P47908	O-RING	1	-XXXXXX	X	X	X	(A) (BOTTOM)
3	R75376	DRAIN PLUG	1	-XXXXXX	X	X	X	(A)
4	R26448	O-RING	1	-XXXXXX	X	X	X	(A)
5	R73501	COUPLING	1	-XXXXXX	X	X	X	(A) (SUB RE17829 AND R26906)
6	AR21839	CLAMP	6		X	X	X	
7	HOSE	1		X	X	X	77MM (3") (MAKE FROM R78326)
8	R67856	OIL TUBE	1		X	X	X	
9	R26906	O-RING	1	XXXXXX-	X	X	X	(B)
10	RE17829	TEE FITTING	1	XXXXXX-	X	X	X	(B)
11	HOSE	1		X	X	X	162MM (6-3/8") (MAKE FROM R78326)
12	HOSE	1		X	X	X	1041MM (41") (MAKE FROM R57300)
13	AR58652	BOLT	6		X	X	X	
14	24H1292	WASHER	4		X	X	X	11/32" X 3/4" X 0.120"
15	R61543	BRACKET	2		X	X	X	
16	AR96901	OIL COOLER	1		X	X	X	(AIR CONDITIONING) (WITH CONDENSER)
	AR96902	OIL COOLER	1		X	X	X	

(A) (-XXXXXX) SERIAL NO. 4050-005941; 4250-010298; 4450-021256
 (B) (XXXXXX-) SERIAL NO. 4050-005942; 4250-010299; 4450-021257

6C18

HYDRAULICS

RETURN OIL MANIFOLD - CONTINUED

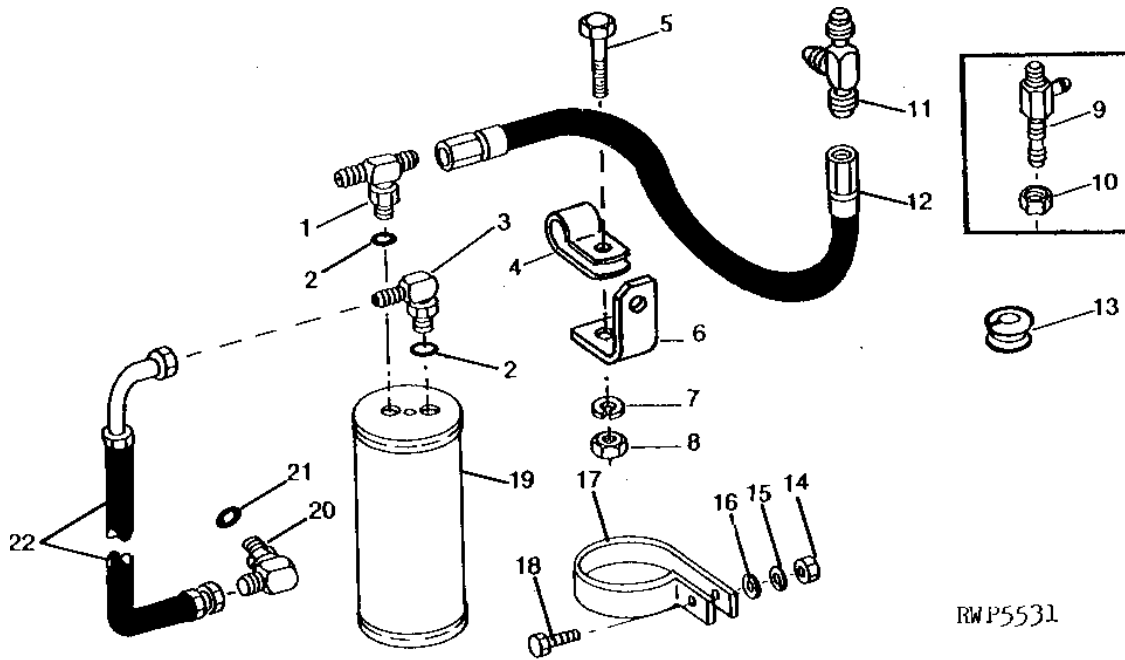
KEY	PART NO.	PART NAME	QTY	TRANSMISSION			REMARKS
				SERIAL NO.	4 4 4	0 2 4	
					5 5 5		
					0 0 0		
1	19H1801	CAP SCREW	1		X X X	(A) 3/8" X 2"	
2	12H304	LOCK WASHER	3		X X X	(A) 3/8"	
3	24H1305	WASHER	2		X X X	(A) 13/32" X 13/16" X 0.065"	
4	R76408	BRACKET	1		X X X	(A)	
5	28H2531	BUSHING	1		X X X	(A) 1/2" X 7/8"	
6	T26767	FITTING	1		X X X		
7	R29936	O-RING	1		X X X		
8	19H1726	CAP SCREW	1		X X X	(A) 3/8" X 2-1/4"	
	19H1912	CAP SCREW	1		X X X	(B) 3/8" X 3-1/2"	
9	R27094	DRAIN PLUG	1		X X X	(A)	
	R27272	FITTING	1		X X X	(B) PTO LUBE LINE	
10	R26286	O-RING	1		X X X		
11	R26286	O-RING	1		X X X		
12	AT32333	ELBOW FITTING	1		X X X		
13	19H2128	CAP SCREW	1	-XXXXXX	X	(A) (C) 3/8" X 3"	
	19H2228	CAP SCREW	1	XXXXXX-	X	(A) (D) 3/8" X 4"	
	19H2228	CAP SCREW	1		X X	(A) 3/8" X 4"	
	19H1925	CAP SCREW	1	-XXXXXX	X	(B) (C) 3/8" X 4-1/4"	
	19H2229	CAP SCREW	1	XXXXXX-	X	(B) (D)	
	19H2229	CAP SCREW	1		X X	(B) 3/8" X 5-1/4"	
14	24H1303	WASHER	1		X X X	13/32" X 11/16" X 0.065"	
15	R57549	CLAMP	2		X X X	BRAKE LINE	
16	28H1521	SPACER	1	-XXXXXX	X	(C) 3/8" X 9/16"	
	28H1497	BUSHING	1	XXXXXX-	X	(D)	
	28H1497	BUSHING	1		X X	3/8" X 1-1/2"	
17	R70509	SPRING	2		X X X		
18	R70507	CHECK VALVE	2		X X X		
19	U13639	O-RING	2		X X X		
20	R70508	FITTING	1		X X X		
21	R70506	MANIFOLD	1		X X X		
22	R77175	COVER	1		X X X		
23	RE12187	FITTING	1		X X X	DIAGNOSTIC	
24	R26448	O-RING	1		X X X		
25	R33259	O-RING	1	-XXXXXX	X	(C)	
26	R77727	FITTING	1	-XXXXXX	X	(C)	
27	R26375	O-RING	1	-XXXXXX	X	(C)	
28	R77728	SCREW	1	-XXXXXX	X	(C)	
29	R27270	FITTING	1		X X X		
30	R26906	O-RING	1		X X X		
31	R51439	SPACER	2		X X X	(B)	
32	R27174	PACKING	2		X X X		
33	R27173	FILTER ELEMENT	1		X X X		
34	R29936	O-RING	1		X X X		
35	R75309	DRAIN PLUG	1		X X X		
36	R71268	FITTING	1		X X X		
37	N120714	SNAP RING	1		X X X		

- (A) QUAD-RANGE TRANSMISSION
- (B) POWER SHIFT TRANSMISSION
- (C) (-XXXXXX) SERIAL NO. 4050-006643 (QUAD-RANGE)
- (-XXXXXX) SERIAL NO. 4050-002724 (POWER SHIFT)
- (D) (XXXXXX-) SERIAL NO. 4050-006644 (QUAD-RANGE)
- (XXXXXX-) SERIAL NO. 4050-002725 (POWER SHIFT)

6D3

HYDRAULICS

**HYDRAULIC OIL ATTENUATOR
(SOUND-GARD BODY)**
RWP5531 -UN-01JAN94



RWP5531

KEY	PART NO.	PART NAME	QTY	TRANSMISSION			REMARKS
				4	5	0	
				4	4	4	
				0	2	4	
				5	5	5	
				0	0	0	
1	RE21555	TEE FITTING	1	X	X	X	HYDRACUSHIONED SEAT, (SUB FOR AR88463)
	AT35121	ELBOW FITTING	1	X	X	X	(G) (GERMANY)
2	R26448	O-RING	2	X	X	X	
3	AT35121	ELBOW FITTING	1	X	X	X	
4	T38377	CLIP	1	X	X	X	(A) (B) (G)
5	19H1936	CAP SCREW	1	X	X	X	(A) (B) (G) 3/8" X 3/4"
6	R42461	ANGLE	1	X	X	X	(A) (B) (G)
7	12H304	LOCK WASHER	1	X	X	X	(A) (B) (G) 3/8", (NO LONGER REQUIRED)
8	14H1076	NUT	1	X	X	X	(A) (B) (G) 3/8"
9	AR64094	TEE FITTING	1	-XXXXXX	X	X	(E)
10	R26572	NUT	1	-XXXXXX	X	X	(E)
11	AR56216	TEE FITTING	1	XXXXXX-	X	X	(F)
12	AR78830	HYDRAULIC HOSE	1	-XXXXXX	X	X	(E)
	AR84721	HYDRAULIC HOSE	1	XXXXXX-	X	X	(F)
13	R27533	GROMMET	1	XXXXXX-	X	X	(F)
14	14H1076	NUT	2	X	X	X	3/8"
15	12H304	LOCK WASHER	2	X	X	X	3/8", (NO LONGER REQUIRED)
16	24H1309	WASHER	2	X	X	X	13/32" X 1-1/16" X 0.120"
17	R35794	CLAMP	2	X	X	X	
18	19H1800	CAP SCREW	2	X	X	X	3/8" X 1-1/2"
19	AR75693	ATTENUATOR	1	X	X	X	
20	AR36552	ELBOW FITTING	1	X	X	X	
21	R26286	O-RING	1	X	X	X	
22	AR98314	HOSE	1	-XXXXXX	X	X	(C)
	RE19706	HOSE	1	XXXXXX-	X	X	(D)

- (A) NOT USED IN U.S. AND CANADA
- (B) SECONDARY BRAKE
- (C) (-XXXXXX) SERIAL NO. 4050-002549; 4250-004779; 4450-011285
- (D) (XXXXXX-) SERIAL NO. 4050-002550; 4250-004780; 4450-011286
- (E) (-XXXXXX) TRACTOR SERIAL NO. 4050-005251; 4250-009378; 4450-019166
- (F) (XXXXXX-) TRACTOR SERIAL NO. 4050-005252; 4250-009379; 4450-019167
- (G) USED ON 4050E AND 4250E ONLY

6D15

HYDRAULICS

ROCKSHAFT CONTROL VALVE HOUSING - CONTINUED

KEY	PART NO.	PART NAME	QTY	TRANSMISSION			REMARKS
				SERIAL NO.	4 4 4	0 2 4	
					5 5 5		
					0 0 0		
1	R26149	PACKING	6		X X X		
2	B1664R	SHIM	AR		X X X		0.76MM (.030")
3	R26566	SPRING	1		X X X		
4	R43791	CONTROL VALVE	1		X X X		FLOW CONTROL
	R43791	CONTROL VALVE	1		X		(B) FLOW CONTROL
	R51342	CONTROL VALVE	1		X		(A) FLOW CONTROL
5	R26375	O-RING	1		X X X		
6	R39112	FITTING	1		X X X		
7	M886T	BALL	1		X X X		16MM (5/8")
8	R26906	O-RING	1		X X X		
9	R65276	FITTING	1	-XXXXXX	X X X		(A) (C) (E)
	R65276	FITTING	1	018476-	X X X		(A) (G) (H)
10	R56916	PLUG	1	XXXXXX-	X X X		(A) (D) (F)
	R56916	PLUG	1	-018475	X X X		(A) (G) (H)
11	15H558	PIPE PLUG	3		X X X		1/8"
12	RE17818	HOUSING	1		X X X		(MARKED R78832 OR R71011) (SUB FOR AR97000 OR RE13894)
13	19H1732	CAP SCREW	5		X X X		3/8" X 1-1/4"
	19H1925	CAP SCREW	1		X X X		3/8" X 4-1/4"
	19H2054	CAP SCREW	1		X X X		3/8" X 4-3/4"
14	12H304	LOCK WASHER	7		X X X		3/8"
15	F3171R	O-RING	1		X X X		
16	AR95436	TEE FITTING	1		X X X		
17	15H571	PIPE PLUG	1		X X X		3/8"
18	R27166	O-RING	2		X X X		
19	R41057	BACK-UP RING	2		X X X		
20	R40945	VALVE	1		X X X		
21	T17882	WASHER	1		X X X		SEALING
22	R26448	O-RING	1		X X X		
23	R71852	PLUG	1		X X X		
24	F3171R	O-RING	1		X X X		(A)
25	R57987	FITTING	1		X X X		(A)
26	R26286	O-RING	1		X X X		(A)
27	AR36552	ELBOW FITTING	1		X X X		(A)
28	F3171R	O-RING	1		X X X		(B)
29	R27175	DRAIN PLUG	1		X X X		(B)
30	19H2731	CAP SCREW	1		X X X		7/16" X 1-3/8"
31	12H293	LOCK WASHER	1		X X X		7/16"
32	R66895	ORIFICE	1		X X X		
33	R66894	PIN	1		X X X		
34	R40894	PLUG	1		X X X		
35	R59766	SPRING	1		X X X		
36	R40895	SHIM	AR		X X X		0.25MM (.010") STEEL
37	R41777	PIN	1		X X X		
38	R41776	BALL	1		X X X		2MM (3/32")
39	R61350	BUSHING	1		X X X		THERMAL RELIEF
40	R61349	VALVE SEAT INSERT	1		X X X		
41	R67121	GASKET	1		X X X		
42	R26977	BACK-UP RING	1		X X X		
43	R26976	O-RING	1		X X X		
44	R41337	WASHER	1		X X X		
45	AR78483	GUIDE	1		X X X		(PRESSURE)
46	R62336	SHAFT	2		X X X		
47	R59083	VALVE	2		X X X		
48	400R	BALL	2		X X X		6MM (1/4")
49	R59082	SPRING	2		X X X		
50	R31024	GUIDE	1		X X X		(RETURN)

- (A) LIFT ASSIST
- (B) LESS LIFT ASSIST
- (C) (-XXXXXX) SERIAL NO. 4050-002435; 4250-004401; 4450-010149 (POWER SHIFT)
- (D) (XXXXXX-) SERIAL NO. 4050-002436; 4250-004402; 4450-010150 (POWER SHIFT)
- (E) (-XXXXXX) SERIAL NO. 4050-006265; 4250-002705; 4450-004540 (QUAD-RANGE)
- (F) (XXXXXX-) SERIAL NO. 4050-006266; 4250-002706; 4450-004541 (QUAD-RANGE)
- (G) NOT USED IN U.S. AND CANADA
- (H) ALSO USE ON 4050E AND 4250E

6E2

HYDRAULICS

LIFT ASSIST CYLINDER, SUPPORT AND ARM - CONTINUED

KEY	PART NO.	PART NAME	QTY	TRACTOR SERIAL NO.			REMARKS
				4	5	0	
				4	4	4	
				0	2	4	
				5	5	5	
				0	0	0	
1	P48362	LOCK NUT	1	X	X	X	
2	R63646	LIFT ARM	1	X	X	X	(SUB R101118)
3	R65744	BUSHING	1	X	X	X	
4	AR84648	ROD	1	X	X	X	
5	AR82411	SEAL	1	X	X	X	
6	AR82412	PACKING	1	X	X	X	
7	AR97828	HYDRAULIC CYLINDER BARREL	1	X	X	X	
8	AR97826	HYDRAULIC CYLINDER	1	X	X	X	
9	R65743	PIN	1	X	X	X	
10	R48429	WASHER	3	X	X		
11	24H1740	WASHER	3	X	X		21/32" X 1-3/8" X .030"
	R73091	O-RING	3			X	
12	R99107	SUPPORT	1	X	X		(SUB FOR R63175) (SUB R107137)
	R99108	SUPPORT	1			X	(SUB FOR R73611)
13	19H3306	CAP SCREW	3	X	X		5/8" X 6-1/4", HS, SAE 8
	08H4705	CAP SCREW	3			X	5/8" X 7-1/2", HS, SAE 8
14	AR78288	PIN	1	X	X	X	
15	12H304	LOCK WASHER	1	X	X	X	3/8"
16	19H1936	CAP SCREW	1	X	X	X	3/8" X 3/4"

6E14

HYDRAULICS

LIFT ASSIST CYLINDER KIT - CONTINUED

KEY	PART NO.	PART NAME	QTY	TRACTOR SERIAL NO.			REMARKS
				4	5	0	
				4	4	4	
				0	2	4	
				5	5	5	
				0	0	0	
1	B1664R	SHIM	3		X	X	
2	R65503	RING	1		X	X	
3	F2741R	PACKING	1		X	X	
4	R72834	FITTING	1		X	X	
5	R26287	O-RING	1		X	X	
6	RE16550	COVER	1		X	X	(MARKED R79857)
7	R26448	O-RING	1		X	X	
8	AT35121	ELBOW FITTING	1		X	X	90°
9	RE11797	HYDRAULIC LINE	1		X	X	
10	AR36552	ELBOW FITTING	1		X	X	90°
11	R26286	O-RING	3		X	X	
12	R57987	FITTING	1		X	X	
13	F3171R	O-RING	1		X	X	
14	P48362	LOCK NUT	1		X	X	
15	R101118	LIFT ARM	1		X	X	
16	AR97828	HYDRAULIC CYLINDER BARREL	1		X	X	
17	AR82412	PACKING	1		X	X	
18	AR82411	SEAL	1		X	X	
19	R65744	BUSHING	1		X	X	
20	AR84648	ROD	1		X	X	
21	AR97826	HYDRAULIC CYLINDER	1		X	X	
22	R65743	PIN	1		X	X	
23	R107137	SUPPORT	1		X	X	
24	RE44376	STRAP	1		X	X	
25	R73290	WASHER	5		X	X	
26	R107177	CAP SCREW	1		X	X	5/8" X 5", HS, SAE 12.9
27	R107169	CAP SCREW	4		X	X	5/8" X 7-3/4", HS, SAE 12.9
28	19H1936	CAP SCREW	1		X	X	3/8" X 3/4"
29	12H304	LOCK WASHER	1		X	X	3/8"
30	AR78288	PIN	1		X	X	
31	AT32333	ELBOW FITTING	2		X	X	90°
32	AR80894	HYDRAULIC HOSE	1		X	X	
33	W19903	O-RING	1		X	X	
34	W19898	SHIM	AR		X	X	0.25MM (.010")
	W19897	SHIM	AR		X	X	0.51MM (.020")
	W20088	WASHER	AR		X	X	1.02MM (.040")
35	U15242	O-RING	1		X	X	
36	T75972	BACK-UP RING	1		X	X	
37	T44948	O-RING	1		X	X	
38	RE36615	RELIEF VALVE	1		X	X	
39	RE44527	CYLINDER	1		X	X	(A) (ALSO ORDER AR85587)
	RE44527	CYLINDER	1		X	X	(B)
40	AR85587	CENTER LINK END	1		X	X	

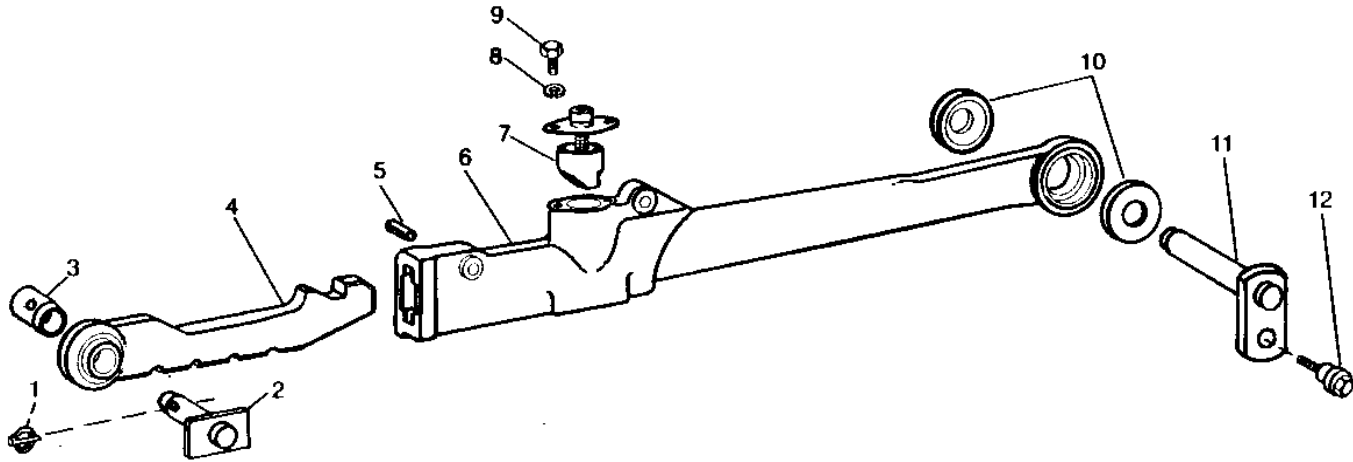
(A) CATEGORY II

(B) CATEGORY IIIN/II

6E25

HYDRAULICS

HITCH DRAFT LINK
RP3235 -UN-01JAN94



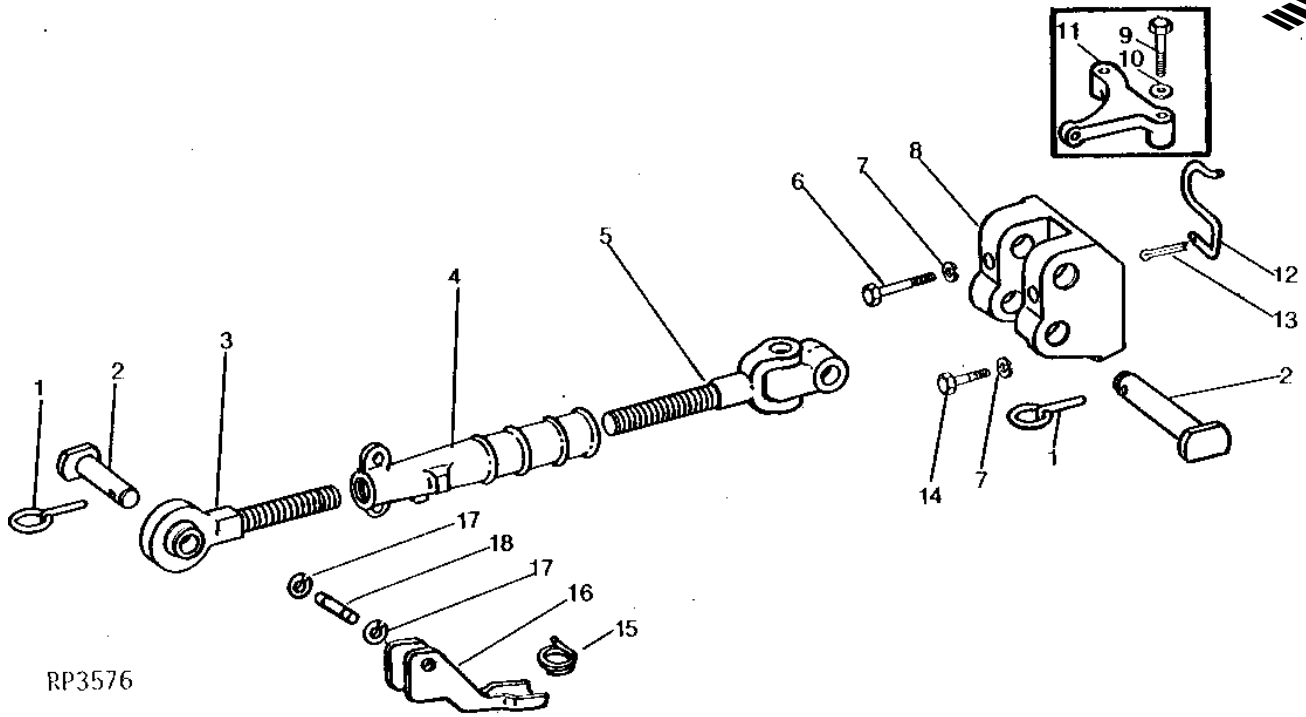
RP3235

KEY	PART NO.	PART NAME	QTY	TRACTOR		REMARKS
				SERIAL NO.		
				4	4	
				0	2	
				5	5	
				0	0	
1	AR62149	QUICK LOCK PIN	2	X	X	
2	AR70865	PIN	2	X	X	
3	R66432	BUSHING	2	X	X	CATEGORY I, SHORT
	R66433	BUSHING	2	X	X	CATEGORY I, LONG
	R66435	BUSHING	2	X	X	CATEGORY II
4	RE11473	DRAFT LINK END	1	X	X	R.H., CATEGORY III, (MARKED R77620 OR R61250) (SUB FOR AR74177)
	RE11474	DRAFT LINK END	1	X	X	L.H., CATEGORY III, (MARKED R77621 OR R61251) (SUB FOR AR74178)
	RE11475	DRAFT LINK END	1	X	X	R.H., CATEGORY II, (MARKED R77620 OR R61250) (SUB FOR AR89492)
	RE11476	DRAFT LINK END	1	X	X	L.H., CATEGORY II, (MARKED R77621 OR R61251) (SUB FOR AR89493)
5	34H371	SPRING PIN	2	X	X	1/2" X 2"
6	AR70354	DRAG LINK	1	X	X	R.H.
	AR70355	DRAG LINK	1	X	X	L.H.
7	RE11578	LOCK	2	X	X	
8	12H302	LOCK WASHER	4	X	X	1/4"
9	19H1227	CAP SCREW	4	X	X	1/4" X 1/2"
10	R26608	WASHER	4	X	X	
11	AR93639	PIN	2	X	X	1-1/8" DIA.
12	AR78289	CAP SCREW	2	X	X	

6F11

HYDRAULICS

HITCH CENTER LINK
RP3576 -UN-01JAN94



RP3576

4 4 4
0 2 4
5 5 5
0 0 0

KEY	PART NO.	PART NAME	QTY	TRACTOR SERIAL NO.	REMARKS
1	AR62151	QUICK LOCK PIN	2		X X
2	AR89302	PIN	2		X X
3	AR70496	CENTER LINK END	1		X X
4	R80052	LINK BODY	1		X X (SUB FOR R66299)
5	AR74181	CENTER LINK END	1		X X
6	19H2266	CAP SCREW	2		X X 3/4" X 5-3/4"
7	12H236	LOCK WASHER	4		X X 3/4"
8	R60766	BRACKET	1		X X
9	19H1726	CAP SCREW	2	-XXXXXX	X X (A) 3/8" X 2-1/4"
10	12H304	LOCK WASHER	2	-XXXXXX	X X (A) 3/8"
11	R65879	BRACKET	1	-XXXXXX	X X (A)
12	R53762	HOOK	1	-XXXXXX	X X (A)
	R81746	HOOK	1	XXXXXX-	X X (B)
13	11H211	COTTER PIN	1		X X 1/8" X 3/4"
14	19H1707	CAP SCREW	2		X X 3/4" X 2-3/4"
15	R80436	RING	1		X X (SUB FOR AR60372, THIS APPLICATION)
16	R66297	YOKE	1		X X
17	F3396R	SNAP RING	2		X X
18	R66298	SPRING PIN	1		X X

(A) (-XXXXXX) SERIAL NO. 4250-009271; 4450-018905
(B) (XXXXXX-) SERIAL NO. 4250-009272; 4450-018906

6F22

HYDRAULICS

**HEAVY-DUTY HITCH KIT - CONTINUED
(CATEGORY III NARROW)**

KEY	PART NO.	PART NAME	QTY	TRACTOR		REMARKS
				SERIAL NO.		
					4 4 4	
					0 2 4	
					5 5 5	
					0 0 0	
1	R80436	RING	1		X X	(SUB FOR AR60372, THIS APPLICATION)
2	R66297	YOKE	1		X X	
3	R66298	SPRING PIN	1		X X	
4	F3396R	SNAP RING	2		X X	
5	AR62151	QUICK LOCK PIN	2		X X	
6	AR89302	PIN	2		X X	
7	AR70496	CENTER LINK END	1		X X	
8	R80052	LINK BODY	1		X X	(SUB FOR R66299)
9	AR74181	CENTER LINK END	1		X X	
10	19H2266	CAP SCREW	2		X X	3/4" X 5-3/4"
11	12H236	LOCK WASHER	4		X X	3/4"
12	R60766	BRACKET	1		X X	
13	11H211	COTTER PIN	1		X X	1/8" X 3/4"
14	R81746	HOOK	1		X X	(SUB FOR R53762, THIS APPLICATION)
15	19H1707	CAP SCREW	2		X X	3/4" X 2-3/4"
16	R79916	DOWEL PIN	2		X X	(SUB FOR AR70027)
17	R68672	PIN	2		X X	
18	11H211	COTTER PIN	2		X X	1/8" X 3/4"
19	AR78526	DRAFT LINK END	2		X X	
20	R64576	DIFFERENTIAL LOCK	2		X X	
21	34H284	SPRING PIN	4		X X	3/16" X 1-1/4"
22	R43706	SLEEVE	2		X X	
23	R80436	RING	2		X X	(SUB FOR AR60372, THIS APPLICATION)
24	R64514	LINK BODY	2		X X	
25	JD7805	LUBRICATION FITTING	2		X X	
26	30H6	PLUG	6		X X	9/16"
27	R58934	YOKE	2		X X	
28	AR62149	QUICK LOCK PIN	2		X X	
29	11H239	COTTER PIN	2		X X	5/32" X 1"
30	R63737	PIN	2		X X	
31	A602R	SNAP RING	2		X X	
32	R65240	WASHER	2		X X	
33	R65239	PIN	2		X X	
34	R61253	LIFT LINK	2		X X	
35	AR70865	PIN	2		X X	
36	AR62149	QUICK LOCK PIN	2		X X	
37	RE11473	DRAFT LINK END	1		X X	(MARKED R77260 OR R61250) (SUB FOR AR74177) R.H.
	RE11474	DRAFT LINK END	1		X X	(MARKED R77261 OR R61251) (SUB FOR AR74178) L.H.
38	34H371	SPRING PIN	2		X X	1/2" X 2"
39	AR70354	DRAG LINK	1		X X	R.H.
	AR70355	DRAG LINK	1		X X	L.H.
40	19H1227	CAP SCREW	4		X X	1/4" X 1/2"
41	12H302	LOCK WASHER	4		X X	1/4"
42	RE11578	LOCK	2		X X	
43	R26608	WASHER	4		X X	
44	AR93639	PIN	2		X X	
45	AR78289	CAP SCREW	2		X X	
46	14H1039	NUT	2		X X	5/8"
47	12H294	LOCK WASHER	2		X X	5/8"
48	08H4463	CAP SCREW	2		X X	5/8" X 5-1/4"
49	R61254	SWAY BLOCK	1		X X	R.H. (SUB R104901)
	R61255	SWAY BLOCK	1		X X	L.H. (SUB R104902)
50	AR96377	KIT	1	-XXXXXX	X X	(A)
	AR96377	KIT	1	XXXXXX-	X X	(B) (ALSO ORDER (2) 19H1798 AND (2) R64283) (ALSO ORDER (2) R63700 - LESS LIFT ASSIST; R63646 AND R63700 - SINGLE LIFT ASSIST; (2) R63646 - DUAL LIFT ASSIST; R76764 AND R76765 - HI-CROP)

(A) (-XXXXXX) SERIAL NO. 4250-009392; 4450-018817
 (B) (XXXXXX-) SERIAL NO. 4250-009393; 4450-018818

6G10

HYDRAULICS

DRAWBAR FRONT SUPPORT - CONTINUED
(HI-CROP)
(4050 TRACTOR SERIAL NO. 001000-006509)
(4250 TRACTOR SERIAL NO. 001000-)

KEY	PART NO.	PART NAME	QTY	TRACTOR SERIAL NO.			REMARKS
				4	5	0	
				4	4	4	
				0	2	4	
				5	5	5	
				0	0	0	
1	R75915	BUSHING	2	-005510	X		
	R71262	BUSHING	2	005511-	X		
	R71262	BUSHING	2		X		
2	F1980R	WASHER	2	005511-	X		
	F1980R	WASHER	2		X		
3	R31438	BUSHING	1		X X		
4	34H309	SPRING PIN	1		X X		1/4" X 5/8"
5	R38221	SNAP RING	2		X X		
6	AR103030	SUPPORT	1	-005510	X		(MARKED R73182) (SUB AR97365)
	AR97365	SUPPORT	1	005511-	X		(MARKED R73182)
	AR97365	SUPPORT	1		X		(MARKED R73182)
7	R26503	DOWEL PIN	1		X X		
8	R71375	PIN	1		X X		
9	R71374	RETAINER	2		X X		
10	N51168	SNAP RING	2		X X		
11	JD7759	LUBRICATION FITTING	2		X X		
12	R56728	DOWEL PIN	1		X X		
13	19H2367	CAP SCREW	1	XXXXXX-	X X		
14	AR103729	SUPPORT	2		X X		
15	F1056R	O-RING	2		X X		
16	T40255	SCREW	4		X X		
17	R79779	SEAL	2		X X		(SUB FOR R78733)
18	19H1732	CAP SCREW	1	-XXXXXX	X X		3/8" X 1-1/4"
19	12H304	LOCK WASHER	1	-XXXXXX	X X		3/8"
20	A147R	LOCK WASHER	1	-XXXXXX	X X		
21	R96420	RETAINER	1		X X		(SUB FOR R56729)
22	R28040	WASHER	1	-XXXXXX	X X		
23	R58972	WASHER	AR		X X		0.91MM (.036")
24	R58973	WASHER	AR		X X		1.22MM (.048")
25	R58974	WASHER	AR		X X		1.58MM (.062")

6G22

HYDRAULICS

DRAWBAR - CONTINUED
(HI-CROP)
(4050 TRACTOR SERIAL NO. 001000-006509)
(4250 TRACTOR SERIAL NO. 001000-)

KEY	PART NO.	PART NAME	QTY	TRACTOR SERIAL NO.	4 0 5 0	4 2 5 0	4 4 5 0	REMARKS
1	19H1721	CAP SCREW	2		X	X		1/2" X 1-1/2"
2	12H301	LOCK WASHER	2		X	X		1/2"
3	19H1715	CAP SCREW	2		X	X		3/4" X 3"
4	12H236	LOCK WASHER	2		X	X		3/4"
5	14H1058	NUT	2		X	X		3/4"
6	R65807	SUPPORT	1		X	X		
7	AR56013	SWAY BLOCK	2		X	X		
8	19H1768	CAP SCREW	4		X	X		3/4" X 2"
9	12H236	LOCK WASHER	6		X	X		3/4"
10	14H1058	NUT	6		X	X		3/4"
11	R73383	BOLT	6		X	X		
12	F1024R	STUD	2		X	X		
13	19H1768	CAP SCREW	2		X	X		3/4" X 2"
14	12H236	LOCK WASHER	2		X	X		3/4"
15	14H1058	NUT	2		X	X		3/4"
16	R51765	SUPPORT	1		X	X		
17	N135098	NUT	2		X	X		3/4", (SUB FOR R73382)
18	19H3556	CAP SCREW	1		X	X		1" X 4-1/4" HS, SAE 8
19	AR74169	DRAWBAR	1		X	X		
20	12H234	LOCK WASHER	1		X	X		1"
21	14H854	NUT	1		X	X		1"
22	R51771	DRAWBAR	2		X	X		
23	19H1909	CAP SCREW	2		X	X		3/4" X 3-3/4"
24	R61187	ADJUSTING STRAP	1		X	X		
25	R61319	SUPPORT	1		X	X		
26	R65805	SUPPORT	1		X	X		
27	R65806	SUPPORT	1		X	X		
28	14H1058	NUT	1	-XXXXXX	X	X		(A) 3/4"
29	AR74170	STRAP	1	-005153	X			(SUB R78214, (2) R83170, 19H2827 AND 19H3405)
	RE19379	STRAP	1	005154-XXXXXX	X			(A) (SUB R78214, (2) R83170, 19H2827 AND 19H3405)
	AR74170	STRAP	1	-009284	X			(SUB R78214, (2) R83170, 19H2827 AND 19H3405)
	RE19379	STRAP	1	009285-XXXXXX	X			(A) (SUB R78214, (2) R83170, 19H2827 AND 19H3405)
30	R61184	DRAWBAR	1		X	X		
31	R77720	SELF-LOCKING SCREW	1	-XXXXXX	X	X		(A) 3/4" X 7-1/2", (SUB FOR R54744)
	19H2827	CAP SCREW	1	XXXXXX-	X	X		(B) 3/4" X 4-3/4" HS, SAE 8
32	R77720	SELF-LOCKING SCREW	1	-XXXXXX	X	X		(A) 3/4" X 7-1/2", (SUB FOR R54744)
	19H3405	CAP SCREW	1	XXXXXX-	X	X		(B) 3/4" X 7" HS, SAE 8
33	12H236	LOCK WASHER	2		X	X		3/4"
34	R83170	RETAINER	2	XXXXXX-	X	X		(B)
35	R78214	STRAP	1	XXXXXX-	X	X		(B)
36	AR74171	PIN	1		X	X		
37	R54064	RETAINER	1		X	X		
38	F304R	SPRING	1		X	X		
39	24H1513	WASHER	1		X	X		1-13/32" X 2" X 0.060"
40	R72433	NUT	1		X	X		
41	T56005	SPRING PIN	1		X	X		

(A) (-XXXXXX) SERIAL NO. 4050-007035; 4250-012590
 (B) (XXXXXX-) SERIAL NO. 4050-007036; 4250-012591

6H9

HYDRAULICS

SELECTIVE CONTROL VALVES - CONTINUED

KEY	PART NO.	PART NAME	QTY	TRANSMISSION			REMARKS
				SERIAL NO.	4 4 4	0 2 4	
					5 5 5		
					0 0 0		
1	R46722	SNAP RING	1		X X X		
2	R70979	GUIDE	1	-XXXXXX	X X X	(A) (SUB RE15926 AND R79778)	
	R79778	GUIDE	1	XXXXXX-	X X X	(B)	
3	R26546	BACK-UP RING	1		X X X		
4	B2762R	O-RING	1		X X X		
5	R64607	SPRING	1		X X X		
6	R43816	SNAP RING	1		X X X		
7	24H1289	WASHER	1		X X X	21/64" X 5/8" X 0.049"	
8	R75743	SPRING	1	-XXXXXX	X X X	(A) (SUB RE15926 AND R79778) OUTER	
	R79774	SPRING	1	XXXXXX-	X X X	(B)	
9	R70968	PISTON	1	-XXXXXX	X X X	(A) (SUB RE15926 AND R79778)	
	R79776	PISTON	1	XXXXXX-	X X X	(B)	
10	R70978	SPRING	1	-XXXXXX	X X X	(A) (SUB RE15926 AND R79778) INNER	
	R79773	SPRING	1	XXXXXX-	X X X	(B)	
11	R70987	SPRING PIN	1	-XXXXXX	X X X	(A) (SUB RE15926 AND R79778)	
	R79775	SPRING PIN	1	XXXXXX-	X X X	(B)	
12	R70986	DETENT	1	-XXXXXX	X X X	(A) (SUB RE15926 AND R79778)	
	R79777	DETENT	1	XXXXXX-	X X X	(B)	
13	RE15926	KIT	1		X X X		
14	R51411	PIN	1		X X X		
15	R70985	CAM FOLLOWER	1		X X X		
16	R51409	SPACER	1		X X X		
17	R26484	BACK-UP RING	6		X X X	(4 PRESSURE, 2 RETURN)	
18	A3917R	O-RING	6		X X X	(4 PRESSURE, 2 RETURN) (SUB FOR R65286)	
19	R51409	SPACER	4		X X X		
20	34H242	SPRING PIN	4		X X X	1/8" X 7/16"	
21	AR86535	VALVE	4		X X X	POPPET	
22	R65501	SPRING	2		X X X	RETURN	
	R65502	SPRING	2		X X X	PRESSURE	
23	R66416	BUSHING	4		X X X		
24	R27166	O-RING	4		X X X		
25	R41057	BACK-UP RING	4		X X X		
26	R74695	WASHER	1		X X X		
27	R59629	CAP	1		X X X	(SUB FOR R71245)	
28	19H988	CAP SCREW	4		X X X	3/8" X 1-1/4"	
29	R62652	ARM	1		X X X		
30	34H231	SPRING PIN	1		X X X	3/32" X 3/4"	
31	R41057	BACK-UP RING	1		X X X		
32	R27166	O-RING	1		X X X		
33	R71054	CONTROL VALVE	1		X X X		
34	A3917R	O-RING	1		X X X	(SUB FOR R65286)	
35	R26484	BACK-UP RING	1		X X X		
36	R71055	VALVE	1		X X X	FLOW CONTROL	
37	R71056	SPRING	1		X X X		
38	R70034	VALVE	1		X X X	METERING	
39	P46051	O-RING	1		X X X		
40	R40937	BACK-UP RING	1		X X X		
41	R41339	SHIM	1		X X X		
42	VALVE	1		X X X	(ORDER AR94264)	
43	VALVE	1		X X X	(ORDER AR94264)	
44	AR94264	CHECK VALVE	1		X X X	SCV BACKFLOW	

(A) (-XXXXXX) SERIAL NO. 4050-001904; 4250-002469; 4450-005399

(B) (XXXXXX-) SERIAL NO. 4050-001905; 4250-002470; 4450-005400

6H21

HYDRAULICS

HYDRAULIC CONTROL LEVER SUPPORT - CONTINUED

KEY	PART NO.	PART NAME	QTY	SG BODY SERIAL NO.	4 4 4 0 2 4 5 5 5 0 0 0	REMARKS
1A	R73710	SUPPORT	1	-016249	X X X	(SUB R81497, RE19828, 19H2021 AND 12H304)
	R73710	SUPPORT	1	-003048	X X X	(A) (C)
1B	R72215	SUPPORT	1	016250-028135	X X X	(SUB R81497 AND RE19828)
1C	R81497	SUPPORT	1	028136-	X X X	
	R81497	SUPPORT	1	003049-	X X X	(A) (C) (LESS ROCKSHAFT)
	R81497	SUPPORT	1	003049-	X X X	(A) (C) (ROCKSHAFT) (ALSO ORDER RE19828, 19H2021 AND 12H304)
2A	AR94965	BRACKET	1	016250-028135	X X X	(SUB RE19828)
2B	RE19828	BRACKET	1	028136-	X X X	
3	19H1936	CAP SCREW	2		X X X	(A) 3/8" X 3/4"
4	12H304	LOCK WASHER	4		X X X	(A) 3/8"
5	24H1305	WASHER	2		X X X	(A) 13/32" X 13/16" X 0.065"
6	AR77018	SUPPORT	1	-016249	X X X	(A) (SUB RE27605)
	RE11890	SUPPORT	1	016250-	X X X	(A) (SUB RE27605)
7	19H1733	CAP SCREW	2		X X X	(A) 3/8" X 2-1/2"
8	24H1303	WASHER	2		X X X	(A) 13/32" X 11/16" X 0.065"
9	19H1936	CAP SCREW	4		X X X	3/8" X 3/4"
10	12H304	LOCK WASHER	4		X X X	3/8"
11	R85574	SUPPORT	1		X X X	(SUB FOR R51007)
12	PLUG	1		X X X	
13	R55166	SPACER	2	024289-	X	
	R55166	SPACER	2		X X	
	R51439	SPACER	2	-024288	X	(B)
	M48153	BUSHING	2	024289-XXXXXX	X	(B) (D)
	M48153	BUSHING	2		X	(B)
14	24H1311	WASHER	2		X X X	(A) 13/32" X 1-1/4" X 0.220"
15	24H1305	WASHER	2		X X X	13/32" X 13/16" X 0.065"
16	12H304	LOCK WASHER	2		X X X	3/8"
17	19H1731	CAP SCREW	2	-024288	X	3/8" X 1"
	19H2023	CAP SCREW	2	024289-	X	3/8" X 3-1/4"
	19H2023	CAP SCREW	2		X X	3/8" X 3-1/4"
	19H1801	CAP SCREW	2	-024288	X	(B) 3/8" X 2"
	19H1925	CAP SCREW	2	024289-XXXXXX	X	(B) (D) 3/8" X 4-1/4"
	19H1925	CAP SCREW	2		X	(B) 3/8" X 4-1/4"
	19H1732	CAP SCREW	2	-024288	X	(A) 3/8" X 1-1/4"
18	12H304	LOCK WASHER	1	016250-	X X X	3/8"
19	19H2021	CAP SCREW	1	016250-	X X X	3/8" X 5/8"

- (A) LESS SOUND-GARD BODY
- (B) HI-CROP
- (C) ROLL-GARD SERIAL NO.
- (D) (-XXXXXX) TRACTOR SERIAL NO. 006509

617

HYDRAULICS

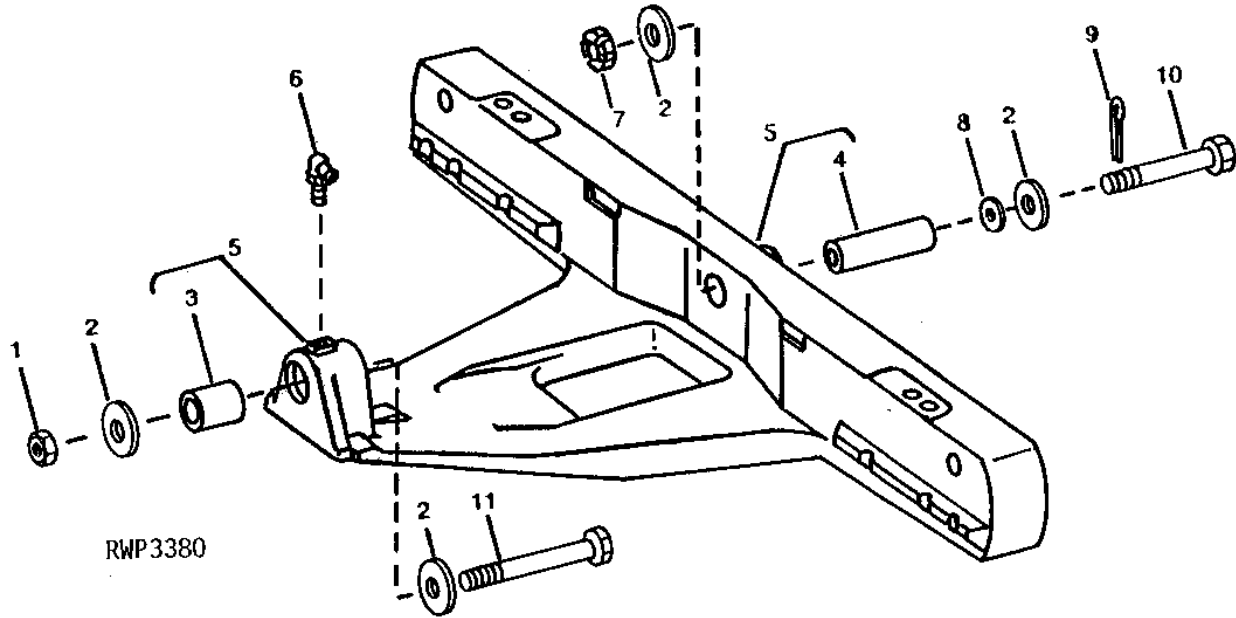
3-1/2" X 8" REMOTE CYLINDER PARTS - CONTINUED
(HYDRAULIC STOP)

KEY	PART NO.	PART NAME	QTY	TRACTOR SERIAL NO.			REMARKS
				4	4	4	
				0	2	4	
				5	5	5	
				0	0	0	
1	19H2357	CAP SCREW	4				X 9/16" X 2"
2	12H317	LOCK WASHER	4				X 9/16"
3	R35452	CYLINDER HEAD	1				X
4	F1427R	WASHER	1				X
5	A4723R	WASHER	2				X
6	R49352	SPRING	1				X
7	R39012	VALVE	1				X
8	A4739R	RING	2				X
9	A4736R	ROD	1				X
10	R57696	WASHER	1				X
11	A4737R	SPRING	1				X
12	24H1301	WASHER	1				X 13/32" X 9/16" X 0.065"
13	R27564	O-RING	1				X
14	R44297	PISTON	1				X
15	R35472	BACK-UP RING	2				X
16	F1430R	O-RING	1				X
17	R45620	LOCK NUT	1				X
18	R35447	CYLINDER	1				X
19	A4748R	SPRING ASSEMBLY	1				X
20	A4747R	WASHER	1				X
21	A4745R	PACKING	3				X
22	A4746R	ADAPTER	1				X
23	R35474	BACK-UP RING	1				X
24	T11220	O-RING	1				X
25	15H624	PIPE PLUG	1				X 1/2"
26	R40219	GUIDE	1				X
27	25H760	GROOVE PIN	1				X 7/32" X 1-1/4"
28	A5304R	ARM	1				X
29	12H304	LOCK WASHER	3				X 3/8"
30	19H1731	CAP SCREW	3				X 3/8" X 1"
31	R29463	O-RING	1				X
32	R35473	BACK-UP RING	1				X
33	R35738	SEAL	1				X
34	R35448	STOP	1				X
35	A5301R	SCREW	1				X
36	R57696	WASHER	1				X (SUB FOR R1870R)
37	34H264	SPRING PIN	1				X 5/32" X 7/8"
38	A5302R	YOKE	1				X
39	AR45544	ROD	1				X
40	A3581R	SPRING LOCKING PIN	2				X
41	AR47825	PIN	2				X

7B13

WHEELS, FRONT AXLES, SHEET METAL

ADJUSTABLE TREAD FRONT AXLE
RWP3380 -UN-01JAN94



KEY	PART NO.	PART NAME	QTY	TRACTOR SERIAL NO.	REMARKS
				4 4 4	
				0 2 4	
				5 5 5	
				0 0 0	
1	14H794	NUT	1	X X X	3/4"
2	T29049	WASHER	4	X X X	
3	R65827	BUSHING	1	X X X	
4	T29205	BUSHING	1	X X X	
5	AR85360	FRONT AXLE	1	X X X	REGULAR, (MARKED R49559)
	AR85361	FRONT AXLE	1	X X X	NARROW, (MARKED R49597)
	AR85362	FRONT AXLE	1	X X X	WIDE, (MARKED R49563)
	AR85359	FRONT AXLE	1	X X	(HI-CROP)
6	JD7799	LUBRICATION FITTING	1	X X X	
7	14H902	NUT	1	X X X	3/4"
8	T25921	SHIM	AR	X X X	0.38 MM (.015")
9	11H240	COTTER PIN	1	X X X	5/32" X 1-1/2"
10	T29210	CAP SCREW	1	X X X	
11	19H1988	CAP SCREW	1	X X X	3/4" X 6"

7B24

WHEELS, FRONT AXLES, SHEET METAL

REAR WHEELS - CONTINUED
(86MM)
(18.4-42 TIRE)

KEY	PART NO.	PART NAME	QTY	TRACTOR SERIAL NO.	REMARKS
				4 4 4	
				0 2 4	
				5 5 5	
				0 0 0	
1	B3014R	PINION	1	X	
2	19H2600	CAP SCREW	3	X	3/4" X 2-5/8"
3	12H236	LOCK WASHER	3	X	3/4"
4	R52031	HALF SLEEVE	1	X	
5	AR83355	SLEEVE	1	X	(INCLUDES (2) R35335)
6	R35335	DOWEL PIN	2	X	
7	A4380R	PINION SHAFT	1	X	
8	R43530	WHEEL	1	X	
9	12H245	LOCK WASHER	3	X	7/8"
10	R35333	SNAP RING	1	X	
11	R35332	SCREW	1	X	
12	08H4486	CAP SCREW	3	X	7/8" X 7-1/2"
13	R80307	RIM	1	X	DEMOUNTABLE
14	14H800	NUT	16	X	5/8"
15	A4388R	CLAMP	16	X	
16	08H4694	BOLT	16	X	5/8" X 4"
17	RE12467	HOUSING	1	X	

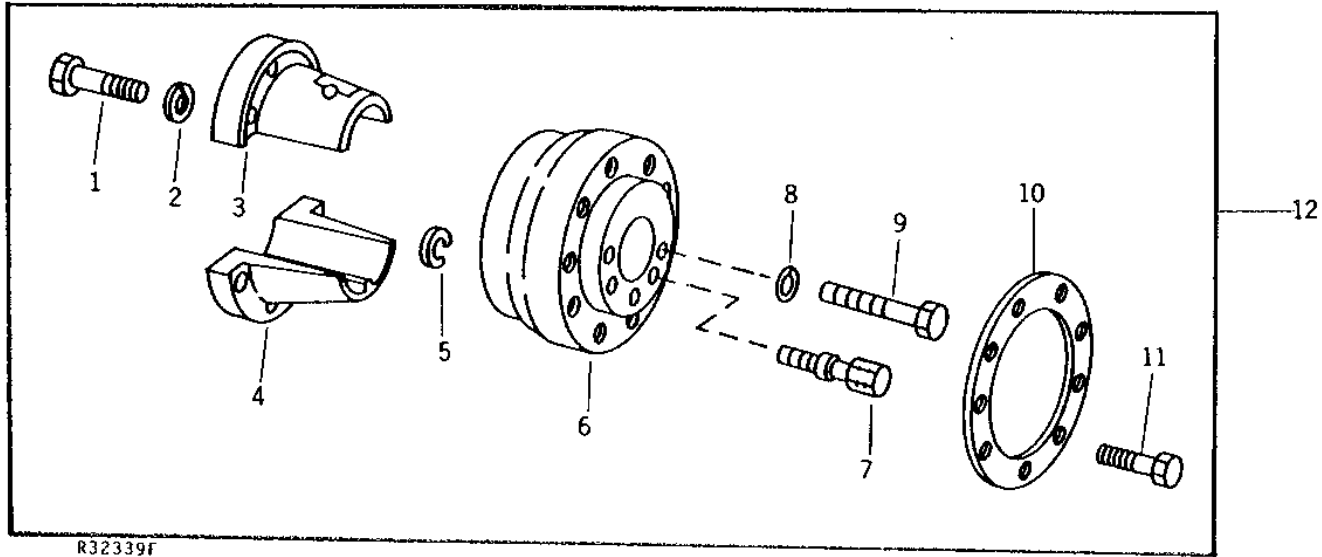
7C12

WHEELS, FRONT AXLES, SHEET METAL

DRIVE WHEEL HUB

(9 BOLT WHEEL - 86MM AXLE)
(16.9-38, 18.4-38, AND 20.8-34 TIRES)

(4050 TRACTOR SERIAL NO. 002874-)
(4250 TRACTOR SERIAL NO. 003913-)
R32339 -UN-01JAN94



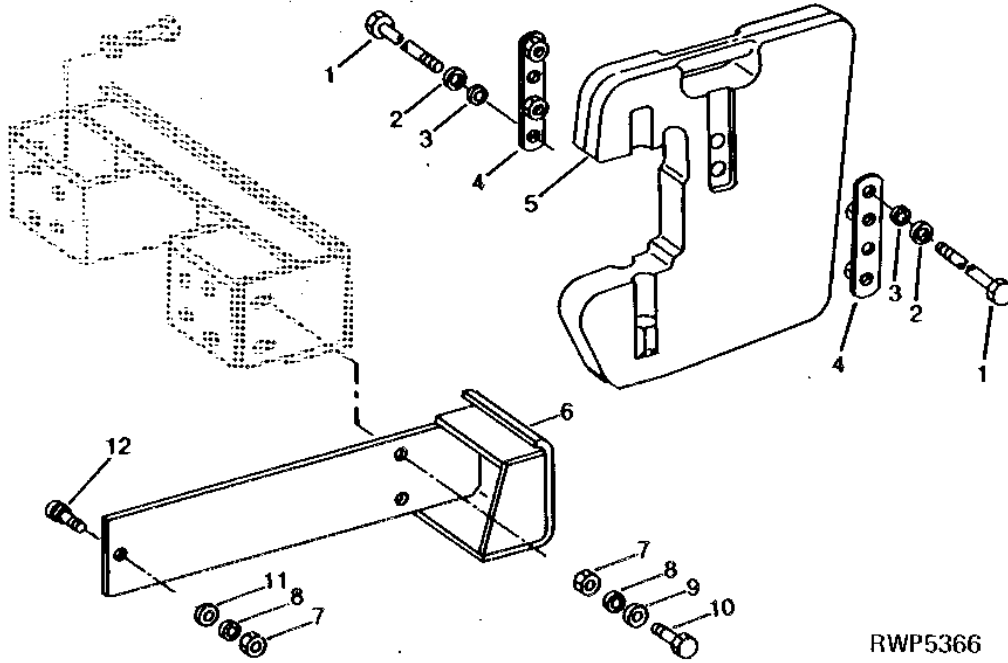
R32339f

KEY	PART NO.	PART NAME	QTY	TRACTOR SERIAL NO.	REMARKS
				4 4 4 0 2 4 5 5 5 0 0 0	
1	19H2600	CAP SCREW	3	X X	3/4" X 2-5/8"
2	12H236	LOCK WASHER	3	X X	3/4"
3	R33531	HALF SLEEVE	1	X X	(SUB R93955)
4	R33532	HALF SLEEVE	1	X X	
5	A4883R	RING	2	X X	
6	R57969	HUB	1	X X	
7	R58303	SCREW	2	X X	
8	12H245	LOCK WASHER	3	X X	7/8"
9	R58302	SCREW	3	X X	
10	R54983	WHEEL RING	1	X X	
11	19H2672	CAP SCREW	9	X X	5/8" X 2", HS, SAE 8
12	RE13245	HUB	1	X X	

7C24

WHEELS, FRONT AXLES, SHEET METAL

ADDITIONAL QUIK-TATCH FRONT WEIGHTS
RWP5366 -UN-01JAN94



RWP5366

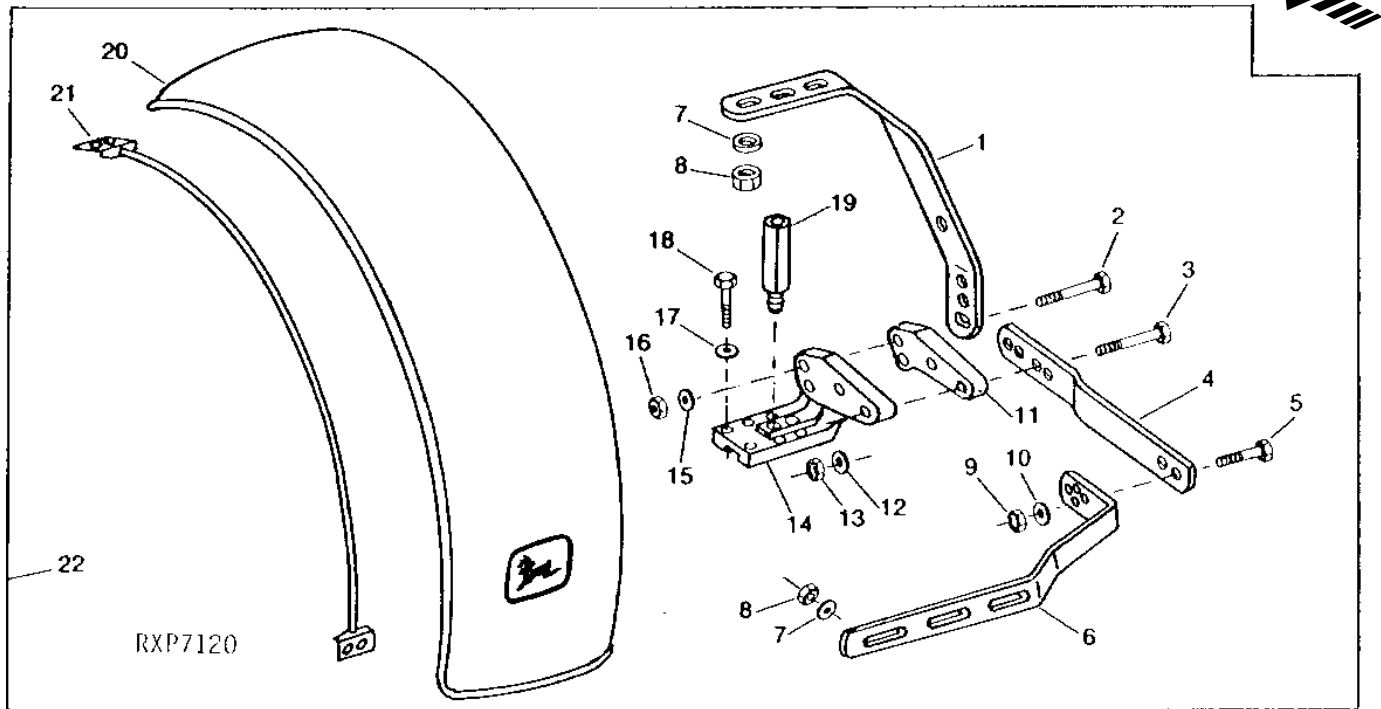
4 4 4
0 2 4
5 5 5
0 0 0

KEY	PART NO.	PART NAME	QTY	TRACTOR SERIAL NO.	REMARKS
1	19H1926	CAP SCREW	2	X X	5/8" X 4-3/4"
	08H4260	CAP SCREW	2	X X	5/8" X 9"
	R59761	CAP SCREW	2	X X	(12 OR 14 QUIK-TATCH WEIGHTS)
2	24H1139	WASHER	2	X X	11/16" X 1-1/4" X 0.105"
3	24M7241	WASHER	2	X X	17 X 34 X 4 MM
4	AR68801	RETAINER	2	X X	
5	R58823	WEIGHT	1	X X	47KG (102 LBS)
6	RE14935	SUPPORT	1	X X	R.H. (SUB FOR AR72133)
	RE14936	SUPPORT	1	X X	L.H. (SUB FOR AR72134)
7	14H1039	NUT	6	X X	5/8"
8	12H294	LOCK WASHER	6	X X	5/8"
9	R42363	WASHER	4	X X	
10	19H2706	CAP SCREW	4	X X	5/8" X 2", HS, SAE 8
11	R42363	WASHER	2	X X	
12	03H1399	BOLT	2	X X	5/8" X 1-3/4"

7D12

WHEELS, FRONT AXLES, SHEET METAL

FRONT FENDERS
(MECHANICAL FRONT WHEEL DRIVE)
 RXP7120 -UN-01JAN94



KEY	PART NO.	PART NAME	QTY	TRACTOR SERIAL NO.	REMARKS
				4 4 4	
				0 2 4	
				5 5 5	
				0 0 0	
1	R82985	SUPPORT	2	X X X	(SUB FOR R75316)
2	19M7501	CAP SCREW	4	X X X	M16 X 110
3	19M7501	CAP SCREW	4	X X X	M16 X 110
4	R75317	SUPPORT	2	X X X	
5	19M7397	CAP SCREW	4	X X X	M16 X 50
6	R97699	EXTENSION	2	X X X	(SUB FOR R75318)
7	24H1305	WASHER	8	X X X	13/32" X 13/16" X 0.065"
8	K40003	LOCK NUT	8	X X X	
9	14M7276	NUT	4	X X X	M16
10	24M7241	WASHER	4	X X X	17 X 34 X 4 MM
11	R76181	SPACER	2	X X X	
12	24M7241	WASHER	4	X X X	
13	14M7276	NUT	4	X X X	
14	R75319	BRACKET	1	X X X	R.H. (FOR ZF AXLES)
	R75320	BRACKET	1	X X X	L.H. (FOR ZF AXLES)
	R75321	SUPPORT	1	X X X	(FOR JOHN DEERE AXLES)
	R75322	BRACKET	1	X X X	(FOR JOHN DEERE AXLES)
15	24M7241	WASHER	4	X X X	17 X 34 X 4 MM
16	14M7276	NUT	4	X X X	M16
17	24H1625	WASHER	8	X X X	17/32" X 1" X 0.120"
18	19M7753	CAP SCREW	8	X X X	M12 X 70
19	R76679	FITTING	2	X X X	M8
	R76678	FITTING	2	X X X	M10
20	AR101641	FENDER	2	X X X	
21	AR103060	SUPPORT	2	X X X	
22	AR103223	FENDER	1	X X X	(FOR ZF AXLES)
	AR103224	FENDER	1	X X X	(FOR JOHN DEERE AXLES)

7D24

WHEELS, FRONT AXLES, SHEET METAL

DECALS - CONTINUED

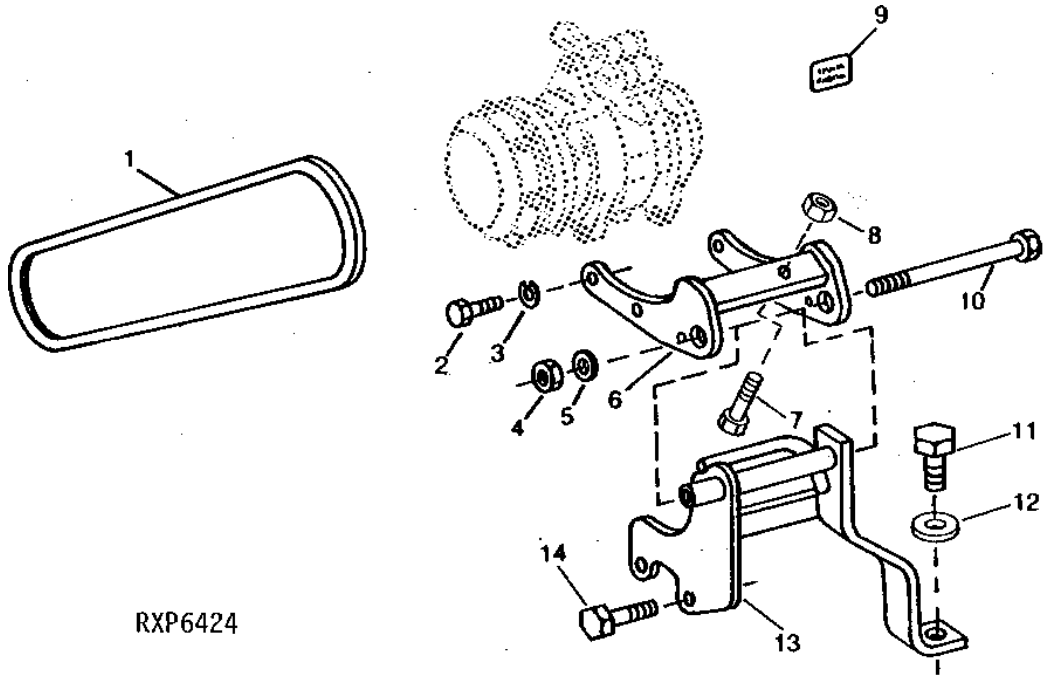
KEY	PART NO.	PART NAME	QTY	TRACTOR SERIAL NO.			REMARKS
				4	5	6	
				4	4	4	
				0	2	4	
				5	5	5	
				0	0	0	
1	R73479	LABEL	1		X		R.H.
	R73480	LABEL	1		X		L.H.
2	R73491	LABEL	1		X		R.H.
	R73492	LABEL	1		X		L.H.
3	R73475	LABEL	1			X	R.H.
	R73476	LABEL	1			X	L.H.
4	R77554	LABEL	2		X	X	X
5	R78080	TAG	1		X	X	X
6	R83103	LABEL	1		X	X	X
	R83105	LABEL	1		X	X	X
7	R87527	LABEL	1		X	X	X
	R70083	LABEL	1		X	X	X
	R70089	LABEL	1		X	X	X
8	R87529	LABEL	1		X	X	X
	R70084	LABEL	1		X	X	X
9	L39461	LABEL	1			X	(GERMANY)
10	R67041	LABEL	1		X	X	(6466TR) ENGINE STARTING AND SLOW SPEED OVERLOAD
	R67041	LABEL	1	006510-	X		(6359TR) ENGINE STARTING AND SLOW SPEED OVERLOAD
	R70087	LABEL	1		X	X	X
	R78264	LABEL	1			X	(C) (D) ENGINE STARTING AND SLOW SPEED OVERLOAD
11	R77980	LABEL	1		X	X	X
	R77980	LABEL	1	006510-	X		(C) (6466TR) ENGINE STARTING AND SLOW SPEED OVERLOAD
	R78262	LABEL	1		X	X	X
	R68236	LABEL	1	-006509	X		(6466DR) SLOW SPEED OVERLOAD
	R70088	LABEL	1	-006509	X		(E) (6466DR) SLOW SPEED OVERLOAD
13	T84409	WARNING LABEL	1		X	X	X
	T84410	LABEL	1		X	X	X
	T84411	LABEL	1		X	X	X
14	R63874	DECAL	1		X	X	X
15	T29577	LABEL	1		X	X	X
	R79445	LABEL	1		X	X	X
	R79446	LABEL	1		X	X	X
16	R96657	LABEL	1		X	X	X
	R96658	LABEL	1		X	X	X

- (A) QUAD-RANGE TRANSMISSION
- (B) POWER SHIFT TRANSMISSION
- (C) MECHANICAL FRONT WHEEL DRIVE
- (D) FRENCH
- (E) SPANISH
- (H) USED ON 4050E AND 4250E ONLY
- (I) UNITED KINGDOM

8B16

SEAT

COMPRESSOR BELT AND MOUNTING BRACKET
 (6359)
 (4050 TRACTOR SERIAL NO. 006510-)
 RXP6424 -UN-01JAN94



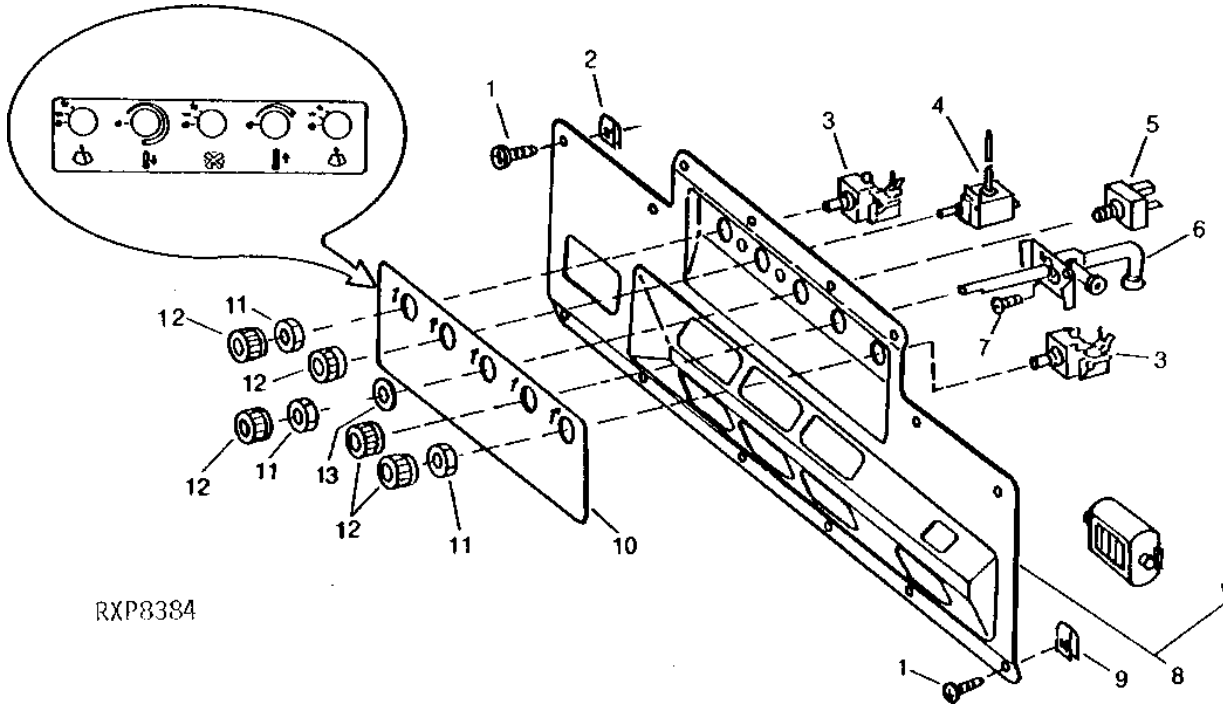
RXP6424

KEY	PART NO.	PART NAME	QTY	TRACTOR SERIAL NO.	REMARKS
				4 4 4	
				0 2 4	
				5 5 5	
				0 0 0	
1	B2893R	BELT	1	X	
2	19M8007	CAP SCREW	4	X	M10 X 25
3	12M7066	LOCK WASHER	4	X	M10
4	14M5345	NUT	1	X	M18
5	12H236	LOCK WASHER	1	X	3/4"
6	RE22618	BRACKET	1	X	
7	19H2880	CAP SCREW	1	X	1/2" X 1-3/4"
8	14H826	NUT	1	X	1/2"
9	R78166	LABEL	1	X	
10	19M7310	CAP SCREW	1	X	M18 X 160
11	19H3385	CAP SCREW	1	X	1/2" X 1-1/8"
12	24H1789	WASHER	1	X	17/32" X 1-1/4" X 0.105"
13	RE22617	BRACKET	1	X	
14	19H1765	CAP SCREW	2	X	3/8" X 1-3/4"

8C4

SEAT

AIR LOUVER AND PANEL
(55 SERIES REPLACEMENT SGB)
RXP8384 -UN-01JAN94



RXP8384

KEY	PART NO.	PART NAME	QTY	SG BODY SERIAL NO.	REMARKS
				4 4 4	
				0 2 4	
				5 5 5	
				0 0 0	
1	R81456	SCREW	14	X X X	
2	R52130	LOCK NUT	8	X X X	
3	AR64992	WIPER SWITCH	2	X X X	
4	AR59779	AC/HEAT TEMPERATURE SWITCH	1	X X X	(ALSO ORDER R44165)
5	AR82014	BLOWER SWITCH	1	X X X	
6	AR100056	CONTROL VALVE	1	X X X	
7	37H98	SCREW	2	X X X	
8	RE33620	BEZEL	1	X X X	
9	R50500	NUT	6	X X X	
10	R87574	LABEL	1	X X X	
11	R44165	LOCK NUT	3	X X X	
12	AR69370	KNOB	5	X X X	
13	24H1325	WASHER	1	X X X	15/32" X 59/64" X 0.065"

8C16

SEAT

FOUR-POST ROLL-GARD MOUNTING - CONTINUED

KEY	PART NO.	PART NAME	QTY	TRACTOR SERIAL NO.			REMARKS
				4	4	4	
				0	2	4	
				5	5	5	
				0	0	0	
1	14H1040	NUT	2		X	X X	(B) 1/2", L.H.
2	T20168	WASHER	2		X	X X	(B) (SUB FOR R32214, THIS APPLICATION)
3	AR96632	SPACER	1	-XXXXXX	X	X X	(B) L.H.
4	R72392	STUD	2		X	X X	(B) L.H.
5	R77720	SELF-LOCKING SCREW	2			X	
	R77720	SELF-LOCKING SCREW	2	-005510	X		
	R77721	SELF-LOCKING SCREW	2	005511-	X		
	R77721	SELF-LOCKING SCREW	2			X	
6	12H236	LOCK WASHER	2	-XXXXXX	X	X X	3/4"
7	R54124	WASHER	2		X	X X	
8	R63263	WASHER	2		X	X X	
9	R81120	BUSHING	2		X	X X	(SUB FOR R53711, THIS APPLICATION)
10	R78494	SPACER	2			X	
	R78494	SPACER	2	005511-	X		
11	R78384	SPACER	2		X	X X	
12	24H1393	WASHER	2		X	X X	25/32" X 1-3/8" X 0.180"
13	R54745	SELF-LOCKING SCREW	2		X	X X	
14	R54745	SELF-LOCKING SCREW	2		X	X X	
15	R54124	WASHER	2		X	X X	
16	R79477	CAP SCREW	2	-005510	X		(A) HS, SAE 8, R.H.
	R79478	CAP SCREW	2	-005510	X		(A) HS, SAE 8, L.H.
	R79477	CAP SCREW	4	005511-	X		(A) HS, SAE 8
	R79477	CAP SCREW	4		X	X	(A) HS, SAE 8
	R79477	CAP SCREW	2		X	X	(B) HS, SAE 8
17	T20168	WASHER	4		X	X X	(SUB FOR R32214, THIS APPLICATION)
18	AR96412	BRACKET	1	-005510	X		R.H.
	AR70853	BRACKET	1	-005510	X		L.H.
	AR70856	BRACKET	1	005511-	X		L.H.
	AR96411	BRACKET	1	005511-	X		R.H.
	AR70856	BRACKET	1		X	X	L.H.
	AR96411	BRACKET	1		X	X	R.H.
19	R32214	WASHER	4		X	X X	
20	19H2021	CAP SCREW	4		X	X X	3/8" X 5/8"
21	R81120	BUSHING	2		X	X X	(SUB FOR R53711, THIS APPLICATION)
22	14H1040	NUT	2		X	X X	1/2"
23	24H1272	WASHER	2	-XXXXXX	X	X X	9/16" X 1-1/4" X 1/4"
24	19H1721	CAP SCREW	4		X	X X	1/2" X 1-1/2"
25	24H1211	WASHER	4	-XXXXXX	X	X X	9/16" X 1-3/8" X 0.105"
26	19H1721	CAP SCREW	2		X	X X	1/2" X 1-1/2"
27	AR84566	BRACKET	1		X	X X	(C) R.H.
	AR84567	BRACKET	1		X	X X	(C) L.H. (SUB RE37512)
	RE37511	BRACKET	1		X	X X	R.H.
	RE37512	BRACKET	1		X	X X	L.H.
28	24H1393	WASHER	2		X	X X	25/32" X 1-3/8" X 0.180"
29	12H236	LOCK WASHER	2	-XXXXXX	X	X X	3/4"
30	14H794	NUT	2		X	X X	3/4"
31	03H2070	BOLT	2		X	X X	3/8" X 1-1/8"
32	24H1305	WASHER	2		X	X X	13/32" X 13/16" X 0.065"
33	14H1076	NUT	2		X	X X	3/8"

- (A) QUAD-RANGE TRANSMISSION
- (B) POWER SHIFT TRANSMISSION
- (C) NOT USED IN U.S. AND CANADA

8D2

SEAT

DELUXE SEAT SUPPORT - CONTINUED

KEY	PART NO.	PART NAME	QTY	TRACTOR SERIAL NO.	REMARKS
				4 4 4	
				0 2 4	
				5 5 5	
				0 0 0	
1	R73380	SNAP RING	3	X X X	(SUB FOR A369R)
2	24H1384	WASHER	AR	X X X	49/64" X 1-1/16" X 0.036"
3	R57572	PIN	1	X X X	
4	24H1384	WASHER	1	X X X	49/64" X 1-1/16" X 0.036"
5	A4744R	SPRING	1	X X X	
6	R26828	LATCH	1	X X X	
7	AR26403	CABLE	1	X X X	(SUB R78257)
8	R26432	REEL	1	X X X	
9	34H282	SPRING PIN	1	X X X	3/16" X 1"
10	R31260	SPRING	1	X X X	
11	14H786	NUT	1	X X X	1/4"
12	12H302	LOCK WASHER	1	X X X	1/4"
13	24H1287	WASHER	1	X X X	9/32" X 5/8" X 0.065"
14	R27439	LEVER	1	X X X	
15	R26431	SCREW	1	X X X	
16	R26830	HANDLE	1	X X X	
17	R26434	LATCH	1	X X X	
18	R26871	SNAP RING	2	X X X	
19	R26829	PIN	1	X X X	
20	AR68728	SUPPORT	1	X X X	
21	19H1813	CAP SCREW	4	X X X	5/16" X 5/8"
22	R26436	ROLLER	4	X X X	
23	R26872	SHIM	1	X X X	0.25MM (.010")
	R26873	SHIM	1	X X X	0.51MM (.020")
24	AR53927	FRAME	1	X X X	

8D13

SEAT

**SEAT SUSPENSION - CONTINUED
(PERSONAL-POSTURE SEAT)
(SOUND-GARD BODY)**

KEY	PART NO.	PART NAME	QTY	4 4 4			REMARKS
				SG BODY	0 2 4	0 0 0	
				SERIAL NO.	5 5 5		
					0 0 0		
1	AR72840	CABLE	1		X X X		
2	AR72842	REEL	1		X X X		
3	R51648	WASHER	2		X X X		
4	AR72848	BRACKET	2		X X X		
5	12H303	LOCK WASHER	4		X X X	5/16"	
6	19H2127	CAP SCREW	4		X X X	5/16" X 7/8"	
7	AR71099	FRAME	1		X X X		
8	M63440	LOCK NUT	4		X X X	(SUB FOR C744DN)	
9	R27441	WASHER	4		X X X		
10	R51649	BEARING RACE	4		X X X		
11	R51648	WASHER	4		X X X		
12	T22874	BOLT	4		X X X		
13	R26872	SHIM	AR		X X X	0.25MM (.010")	
	R26873	SHIM	AR		X X X	0.51MM (.020")	
14	R26436	ROLLER	4		X X X		
15	R60024	LINK	2		X X X		
16	F2863R	SNAP RING	2		X X X		
17	R1836R	WASHER	2		X X X		
18	R26832	BUSHING	2		X X X		
19	R60025	SHAFT	1		X X X		
20	R27442	CAP	1		X X X		
21	R60319	SPRING	1		X X X		
22	AR71976	ABSORBER	1		X X X		
23	R26879	CAP	1		X X X		
24	AR72841	CABLE	1		X X X		
25	AR88527	LINK	1		X X X	(SUB FOR AR71098)	
26	19H1800	CAP SCREW	4		X X X	3/8" X 1-1/2"	
27	R27441	WASHER	4		X X X		
28	R51648	WASHER	4		X X X		
29	R51649	BEARING RACE	4		X X X		
30	R53436	WASHER	4		X X X		
31	M63440	LOCK NUT	4		X X X	(SUB FOR C744DN)	
32	R43569	CAP SCREW	1		X X X		
33	24H1305	WASHER	1		X X X	13/32" X 13/16" X 0.065"	
34	AR73562	LEVER	1		X X X		
35	R60657	SPRING	1		X X X		
36	AR73561	SCREW	1		X X X		
37	34H228	SPRING PIN	1		X X X	3/32" X 9/16"	
38	R60021	WASHER	1		X X X		
39	AR72838	FORK	1		X X X		
40	R65442	LABEL	1		X X X		
41	AR72056	SUPPORT	1		X X X		
42	14H1040	NUT	4		X X X	1/2"	
43	12H301	LOCK WASHER	4		X X X	1/2"	
44	11H206	COTTER PIN	1		X X X	3/32" X 3/4"	
45	R31044	PIN	1		X X X		
46	R60019	PULLEY	1		X X X		
47	R59792	CAP	1		X X X	(NO LONGER REQUIRED)	
48	AR71097	ARM	1		X X X		
49	14H850	NUT	2		X X X	1/4"	

8D24

SEAT

**HYDRACUSHIONED SEAT SUSPENSION - CONTINUED
(SOUND-GARD BODY)**

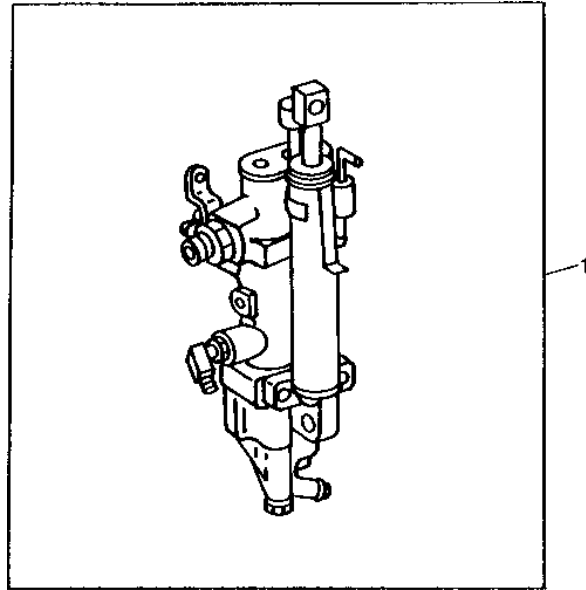
KEY	PART NO.	PART NAME	QTY	TRACTOR SERIAL NO.			REMARKS
				4	4	4	
				0	2	4	
				5	5	5	
				0	0	0	
1	RE40091	SUPPORT	1		X	X	(SUB FOR AR78304)
2	14H732	NUT	1		X	X	3/8"
3	R63386	WELD NUT	1		X	X	
4	R52117	WASHER	1		X	X	
5	R50226	WASHER	2		X	X	
6	R64822	NUT	3		X	X	
7	AR94583	LEVER	1		X	X	
8	R50227	RETAINER	1		X	X	
9	R67726	SPRING	1		X	X	
10	19H1765	CAP SCREW	1		X	X	3/8" X 1-3/4"
11	AR78533	FRAME	1		X	X	
12	R63597	BUSHING	6		X	X	
13	R66587	BUSHING	6		X	X	
14	24H1305	WASHER	4		X	X	13/32" X 13/16" X 0.065"
15	19H1800	CAP SCREW	6		X	X	3/8" X 1-1/2"
16	R53668	THRUST WASHER	8		-XXXXXX	X	
	R53668	THRUST WASHER	6		XXXXXX-	X	
	R53665	WASHER	2		XXXXXX-	X	
17	R27441	WASHER	2		X	X	
18	R63385	WEAR PLATE	4		X	X	
19	R63923	BUMPER	2		X	X	
20	K40003	LOCK NUT	4		X	X	
21	19H1936	CAP SCREW	3		-XXXXXX	X	3/8" X 3/4"
	19H1936	CAP SCREW	2		XXXXXX-	X	3/8" X 3/4"
22	AR78532	FRAME	1		X	X	
23	T519T	WASHER	4		X	X	
24	R63924	GUIDE	4		X	X	
25	14H1040	NUT	4		X	X	1/2"
26	12H301	LOCK WASHER	4		X	X	1/2", (NO LONGER REQUIRED)
27	R53664	SELF-LOCKING SCREW	3		-XXXXXX	X	
	R53664	SELF-LOCKING SCREW	2		XXXXXX-	X	
28	19H1815	CAP SCREW	2		X	X	1/2" X 1-1/4"
29	AR78305	SUPPORT	1		X	X	
30	R53662	SELF-LOCKING SCREW	2		X	X	
31	12H303	LOCK WASHER	2		X	X	5/16"
32	AR78930	SUPPORT	1		X	X	
33	R64360	ISOLATOR	1		X	X	
34	AR95773	BRACKET	1		X	X	(ALSO ORDER (2) 19H1815)
35	R65656	SCREW	3		X	X	
36	R65396	COVER	1		X	X	
..	R66028	LABEL	1		X	X	SEAT LEVER
..	R94624	LABEL	1		X	X	(A) SEAT LEVER

(A) 55 SERIES REPLACEMENT SGB

8E11

SEAT

SEAT POSITION VALVE AND CYLINDER ASSEMBLY
RWP3269 -UN-01JAN94



RWP3269

4 4 4
0 2 4
5 5 5
0 0 0

KEY	PART NO.	PART NAME	QTY	TRACTOR SERIAL NO.	REMARKS
1	AR107402	VALVE	1	X X X	(ALSO ORDER RE21555) (SUB FOR AR95421 OR AR106808)

8E22

SEAT

**SOUND-GARD BODY FOR REPLACEMENT - CONTINUED
(FULLY TRIMMED)**

KEY	PART NO.	PART NAME	QTY	TRACTOR SERIAL NO.	REMARKS
				4 4 4 0 2 4 5 5 5 0 0 0	
1	SOUND-GARD BODY	1	X X X	(A) (B) (HEATER, AIR CONDITIONING, HYDRACUSHIONED SEAT, SELECTIVE CONTROL LEVERS, DUAL SCV, UPHOLSTERY, CONTROL SUPPORT, WITH INSTRUMENTATION, ROCKSHAFT CONTROLS, PTO LEVER, CONSOLE GUIDE, WINDOW GLASS, WIPERS, FENDERS, AND LIGHTS)

(A) ORDER THROUGH BRANCH SERVICE MANAGER OR COMPLETE GOODS MANAGER
(B) PRIOR TO SERIAL NO. 4050-006593, 4250-011454, 4450-022782, ALSO ORDER RE27506;
ALSO ORDER RE27507 ON TRACTORS NOT USED IN U.S. AND CANADA.

8F8

SEAT

DOOR HANDLE AND LATCH - CONTINUED
(SOUND-GARD BODY SERIAL NO. 025298-)

KEY	PART NO.	PART NAME	QTY	SG BODY			REMARKS
				SERIAL NO.	4 4 4	0 2 4	
				5 5 5			
				0 0 0			
1	R70271	KNOB	1		X X X		
2	R82447	HANDLE	1		X X X		
3	19M6614	CAP SCREW	1		X X X	M6 X 12	
4	12H302	LOCK WASHER	3		X X X	1/4"	
5	R70275	SPACER	1		X X X		
6	AR91895	HANDLE	1		X X X		
7	19M7077	CAP SCREW	2		X X X	M6 X 20	
8	R70274	SPACER	1		X X X		
9	19H1791	CAP SCREW	3		X X X	1/4" X 1-1/4"	
10	12H297	LOCK WASHER	3		X X X	1/4"	
11	19H1738	CAP SCREW	1		X X X	1/4" X 2"	
12	AR91893	LATCH	1		X X X		
13	03M7191	BOLT	1		X X X	M10 X 25	
14	24H1254	WASHER	1		X X X	17/32" X 1-1/8" X 0.105"	
15	37H196	SCREW	2		X X X	(SUB FOR R52708, THIS APPLICATION)	
16	R82272	STRIKER	1		X X X		
17	R82456	COVER	1		X X X		
18	R82455	PLATE	1		X X X		
19	R82482	BUSHING	1		X X X		
20	R82448	SPRING	1		X X X		
21	24H1287	WASHER	2		X X X	9/32" X 5/8" X 0.065"	
22	14H850	NUT	2		X X X	1/4"	
23	R82442	BELLCRANK	1		X X X		
24	R72654	SNAP RING	1		X X X		
25	24H1286	WASHER	1		X X X	9/32" X 1/2" X 1/16"	
26	U45916	LOCK NUT	1		X X X		
27	R82444	HOOK BOLT	1		X X X		
28	R82445	RETAINER	1		X X X		
29	RE22994	KIT	1		X X X		
30	R70277	SUPPORT	1		X X X	(SUB FOR RE13693)	
31	R81540	SHIELD	1		X X X		
32	R79877	SCREW	1		X X X		
33	AR51481	KEY	1		X X X		

8F19

SEAT

PRESSURIZER COVER AND SOUND-GARD BODY HEADLINER - CONTINUED

KEY	PART NO.	PART NAME	QTY	SG BODY SERIAL NO.	4 4 4 0 2 4 5 5 5 0 0 0	REMARKS
1	R45397	INSULATOR	1		X X X	
2	R65465	FOAM PAD	1		X X X	(ALSO ORDER R83066)
3	R65467	SEAL	2		X X X	(SUB R83066)
4	R52149	WEATHERSTRIP	1		X X X	
5	R65466	SEAL	1		X X X	(SUB R83066, THIS APPLICATION)
6	AR83516	COVER	1		X X X	
7	R71523	NUT	22	-021543	X X X	
8A	24H1287	WASHER	22	-XXXXXX	X X X	9/32" X 5/8" X 0.065"
8B	24H1646	WASHER	22	XXXXXX-	X X X	17/64" X 3/4" X 0.060"
9	12H356	LOCK WASHER	22	-XXXXXX	X X X	1/4"
10A	21H1410	SCREW	22	-XXXXXX	X X X	1/4" X 1"
10B	R50641	SCREW	22	XXXXXX-021543	X X X	
	R80979	BOLT	22	021544-	X X X	
11	24H1282	WASHER	AR		X X X	5/32" X 3/4" X 0.120"
12	AR94073	ANCHOR	AR		X X X	(PKG. OF 6)
13	R50641	SCREW	4	-021543	X X X	
	R80979	BOLT	4	021544-	X X X	
14	24H1284	WASHER	4	XXXXXX-	X X X	7/32" X 7/8" X 0.065"
15	R50272	COVER	1		X X X	
16	R53677	LOCK NUT	4		X X X	
17	RE33754	HEADLINER	1		X X X	(SUB FOR AR97385)
18	R73317	STUD	10		X X X	
19	RE10595	HEADLINER	1		X X X	
..	R53745	TAPE	AR		X X X	(140 FT)
..	AR49923	ADHESIVE	1		X X X	552G (19.5 OZ)

8G6

SEAT

**SOUND-GARD BODY GLASS WITH MOLDING, STRAPS AND LATCHES - CONTINUED
(55 SERIES REPLACEMENT SGB)**

KEY	PART NO.	PART NAME	QTY	SG BODY SERIAL NO.			REMARKS
				4	4	4	
				0	2	4	
				5	5	5	
				0	0	0	
1	R50757	WINDOWPANE	2	X	X	X	
2	R93150	WINDOWPANE	1	X	X	X	
	R97769	WINDOW	1	X	X	X	(A)
3	R93149	WINDOWPANE	1	X	X	X	
4	R93148	WINDOWPANE	1	X	X	X	
	R97768	WINDOW	1	X	X	X	(A)
5	R93147	WINDOWPANE	1	X	X	X	
6	R50641	SCREW	27	X	X	X	
7	R78425	BUSHING	15	X	X	X	
8	R50643	STRAP	2	X	X	X	
9	R68936	MOLDING	2	X	X	X	
10	R50638	STRAP	2	X	X	X	
11	R94384	SCREW	12	X	X	X	
12	LOCK WASHER	12	X	X	X	(B)
13	R56317	CAP SCREW	6	X	X	X	
14	R52862	SPRING WASHER	12	X	X	X	
15	R52921	WASHER	12	X	X	X	
16	R50647	SPRING LOCKING PIN	6	X	X	X	
17	RE27441	LATCH	3	X	X	X	L.H. REAR
	RE27442	LATCH	3	X	X	X	R.H. REAR
18	R52922	WASHER	6	X	X	X	
19	R52952	NUT	12	X	X	X	
	12H297	LOCK WASHER	12	X	X	X	1/4"
20	R50734	ANGLE	6	X	X	X	
21	R50645	PIN	6	X	X	X	
22	R50648	STRAP	6	X	X	X	
23	R50758	WINDOWPANE	1	X	X	X	(ALSO ORDER RE29728)
24	R50644	STRAP	1	X	X	X	
25	R50735	MOLDING	1	X	X	X	
26	R50640	STRAP	1	X	X	X	
27	R50642	WASHER	12	X	X	X	
28	L55211	GRIP	6	X	X	X	
29	R93218	SUPPORT	6	X	X	X	

(A) GERMANY AND ITALY

(B) NOT REQUIRED

8G18

SEAT

PLATFORM AND MAT - CONTINUED

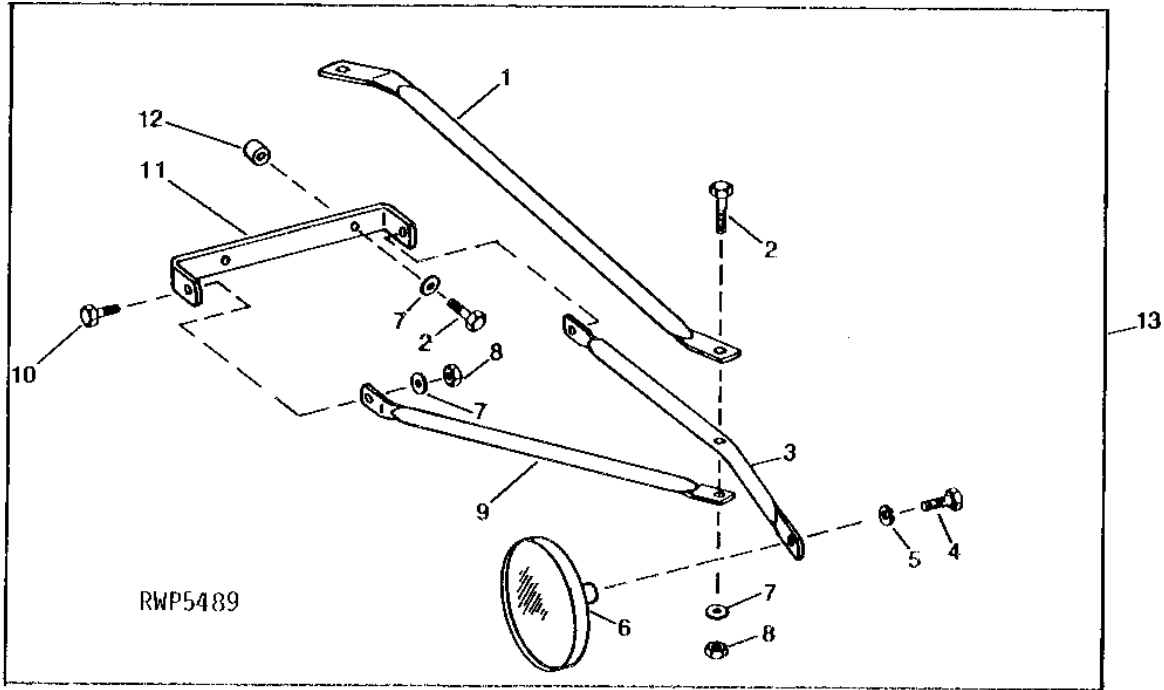
KEY	PART NO.	PART NAME	QTY	SG BODY SERIAL NO.	4 4 4 0 2 4 5 5 5 0 0 0	REMARKS
1	R98135	MAT	1		X X X	(B) (ILLUSTRATED) (SUB FOR R72482 OR R65299)
	R50762	MAT	1		X X X	(A)
	R79030	MAT	1		X X X	(C) (NOT USED IN U.S. AND CANADA) (SUB R101064)
2	R51548	STUD	2		X X X	
3	R50196	PANEL	1		X X X	(B) (PERSONAL-POSTURE SEAT) (ILLUSTRATED)
	R64476	PANEL	1		X X X	(B) (HYDRACUSHIONED SEAT) (GRAMMER SEAT SUSPENSION)
	R72773	PLATFORM	1		X X X	(A)
4	19H1900	CAP SCREW	7	-XXXXXX	X X X	5/16" X 3/4"
5	24H1136	WASHER	7	-XXXXXX	X X X	11/32" X 11/16" X 0.065"
6	12H303	LOCK WASHER	7	-XXXXXX	X X X	5/16"
7	14H785	NUT	7	-XXXXXX	X X X	5/16"
8	37H57	SCREW	7	XXXXXX-	X X X	5/16" X 3/4"
9	24H1822	WASHER	7	XXXXXX-	X X X	11/32" X 7/8" X 1/16"
..	R53745	TAPE	1		X X X	55 M (180 FT)
..	R46663	SEALING TRIM	1		X X X	18 M (60 FT)

- (A) ROLL-GARD
- (B) SOUND-GARD BODY
- (C) USED ON 4050E AND 4250E ONLY

8H4

SEAT

OUTSIDE REAR VIEW MIRROR
RWP5489 -UN-01JAN94



KEY	PART NO.	PART NAME	QTY	TRACTOR SERIAL NO.	REMARKS
				4 4 4	
				0 2 4	
				5 5 5	
				0 0 0	
1	R81874	ARM	1	X X X	
2	19H1898	CAP SCREW	3	X X X	1/4" X 1-1/2"
3	R81873	ARM	1	X X X	
4	19H1919	CAP SCREW	1	X X X	1/4" X 5/8"
5	12H302	LOCK WASHER	1	X X X	1/4"
6	AH99408	REAR VIEW MIRROR	1	X X X	(INCLUDES KEYS 4 AND 5)
7	24H1287	WASHER	5	X X X	9/32" X 5/8" X 0.065"
8	14H786	NUT	3	X X X	1/4"
9	R81875	ARM	1	X X X	
10	19H1948	CAP SCREW	2	X X X	1/4" X 3/4"
11	R81872	BRACKET	1	X X X	
12	28H1509	WASHER	2	X X X	0.269" X 0.405" X 3/8"
13	RE20352	REAR VIEW MIRROR	1	X X X	

8H15

SEAT

CONTROL CONSOLE - CONTINUED

KEY	PART NO.	PART NAME	QTY	TRACTOR SERIAL NO.			REMARKS
				4	4	4	
				0	2	4	
				5	5	5	
				0	0	0	
1	R53743	SELF-LOCKING SCREW	3	-XXXXXX	X	X	(F) (SUB FOR R50936)
2	R53669	THRUST WASHER	3	-XXXXXX	X	X	(F)
3	R82121	SCREW	3	XXXXXX-	X	X	(G)
4A	R89652	SUPPORT	1		X	X	(A) (C) (D) (H) (SUB FOR R50936)
4B	RE29023	INDICATOR	1		X	X	(B) (C) (D) (SUB FOR AR103550)
5	R51677	NEEDLE ROLLER	1		X	X	
6	R56479	STOP	1		X	X	SELECTIVE CONTROL VALVE
7	R52667	LEVER	1		X	X	(SUB FOR AR59805)
8	AR93210	SPRING	1		X	X	(USE WITH MODEL 85 FIELD CULTIVATOR) (SUB R70959)
	R70959	LEAF SPRING	1		X	X	(H)
9	R54533	STOP	1		X	X	(SUB FOR AR62598)
10	R74272	GUIDE	1	-XXXXXX	X	X	(A) (F) (SUB (3) R82121 AND R82122)
	R82122	GUIDE	1	XXXXXX-	X	X	(A) (G)
	R74273	GUIDE	1	-XXXXXX	X	X	(B) (F) (SUB R82120 AND (3) R82121)
	R82120	GUIDE	1	XXXXXX-	X	X	(B) (G)
11	AR58652	BOLT	6		X	X	
12	R50198	NUT	3		X	X	
13	R66561	PLUG	1		X	X	(D)
	R66562	PLUG	1		X	X	(E)
14	R77585	COVER	1		X	X	(C) (E)
	R71847	COVER	1		X	X	(D) (FRONT) (SUB FOR AR94609)
	R71848	COVER	1		X	X	(D) (REAR)
	R98865	COVER	1		X	X	(C) (H)
	R89614	COVER	1		X	X	(FRONT)
	R98864	COVER	1		X	X	(REAR)
..	AR49923	ADHESIVE	1		X	X	552G (19.5 OZ)
..	19H1900	CAP SCREW	1		X	X	(H) (SGB)

- (A) QUAD-RANGE TRANSMISSION
- (B) POWER SHIFT TRANSMISSION
- (C) ROLL-GARD
- (D) SOUND-GARD BODY
- (E) LESS SOUND-GARD BODY
- (F) (-XXXXXX) SERIAL NO. 4050-005887; 4250-010213; 4450-021114
- (G) (XXXXXX-) SERIAL NO. 4050-005888; 4250-010214; 4450-021115
- (H) 55 SERIES REPLACEMENT SGB

CLICK HERE TO **DOWNLOAD** THE COMPLETE MANUAL

- Thank you very much for reading the preview of the manual.
- You can download the complete manual from: www.heydownloads.com by clicking the link below



- Please note: If there is no response to CLICKING the link, please download this PDF first and then click on it.

CLICK HERE TO **DOWNLOAD** THE COMPLETE MANUAL