

CLICK HERE TO **DOWNLOAD** THE COMPLETE MANUAL

- Thank you very much for reading the preview of the manual.
- You can download the complete manual from: www.heydownloads.com by clicking the link below



- Please note: If there is no response to CLICKING the link, please download this PDF first and then click on it.

CLICK HERE TO **DOWNLOAD** THE COMPLETE MANUAL

P. C. BOARDS

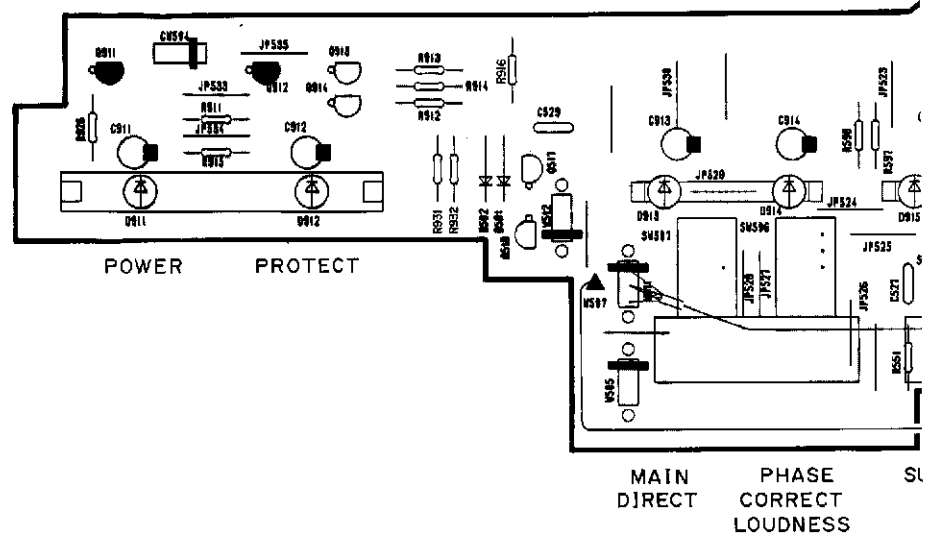
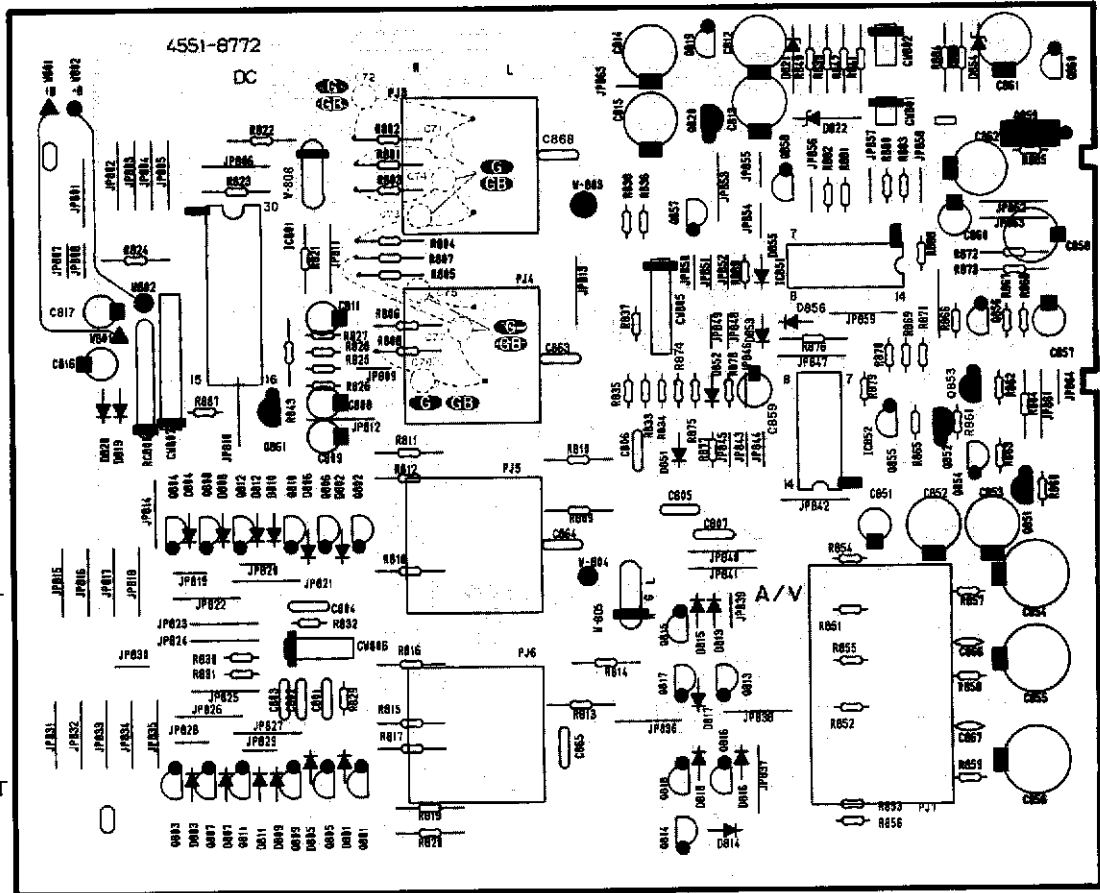
PCB-3 Control P. C. Board

RIGHT LEFT

CD
TUNER
AUX
A/V
IN
VCR/
TAPE 1
OUT
IN
VCR/
TAPE 2
OUT

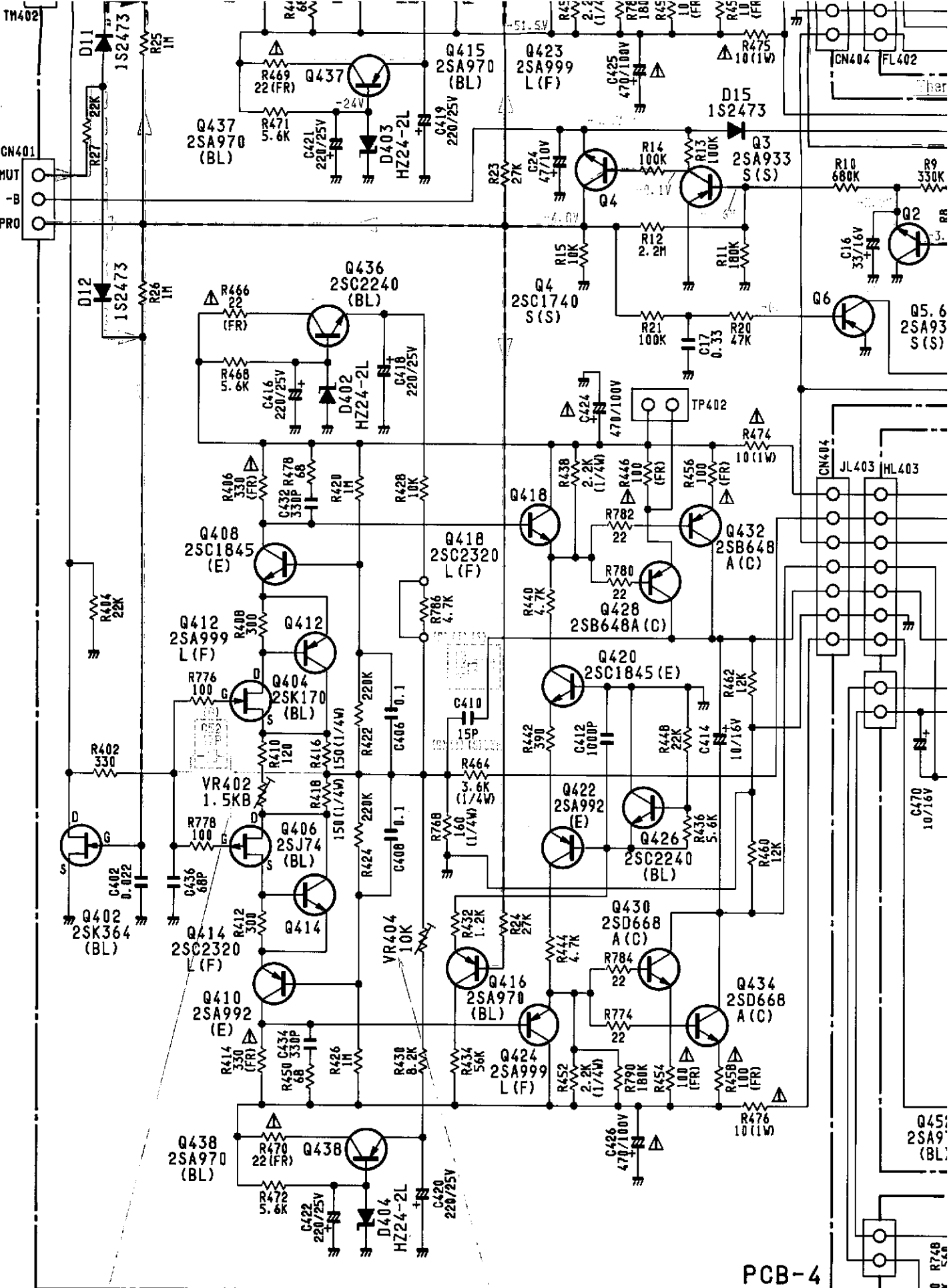
MONITOR
OUT
VCR 1
VCR 2

IN OUT



MAIN DIRECT PHASE CORRECT LOUDNESS

TO TONE CONTROL (PCB-2)



PCB-4

CLICK HERE TO **DOWNLOAD** THE COMPLETE MANUAL

- Thank you very much for reading the preview of the manual.
- You can download the complete manual from: www.heydownloads.com by clicking the link below



- Please note: If there is no response to CLICKING the link, please download this PDF first and then click on it.

CLICK HERE TO **DOWNLOAD** THE COMPLETE MANUAL