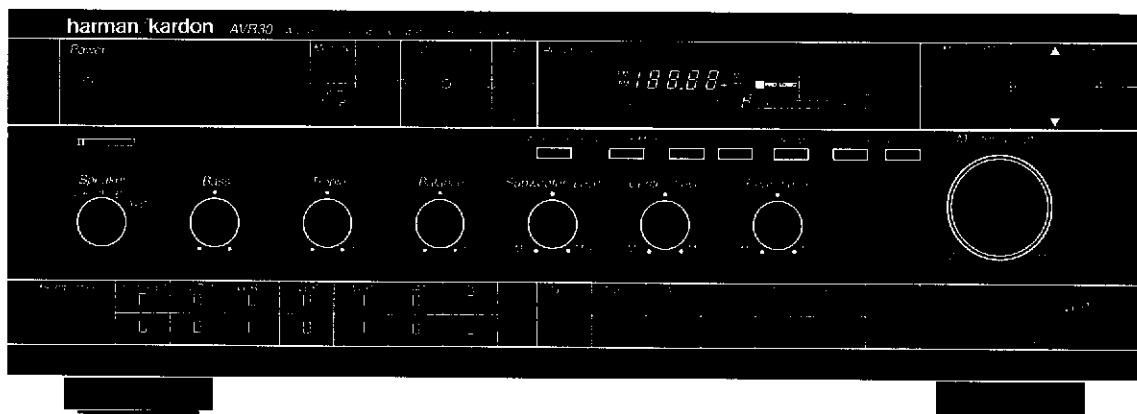


The Harman Kardon Model AVR30

AUDIO AND VIDEO RECEIVER

Manual 188B

Technical Manual



This manual is to be applied to the North America area model Black version with serial number S235-05761 and above, and Asia, Singapore and international models.

The following marks found in the parts list of this manual identify the models as follows.

- BK** : North America area model Black version
- WB** : Asia model Black version
- SB** : Singapore model Black version
- IB** : International model Black version

CONTENTS

SPECIFICATIONS	2	BLOCK DIAGRAM	7
PRECAUTIONS	2	GENERAL UNIT PARTS LIST	8
LEAKAGE TEST	3	GENERAL UNIT	8
POWER CORD REPLACEMENT	3	P. C. BOARDS	10
DISASSEMBLY PROCEDURES	4	ELECTRICAL PARTS LIST	15
CONTROLS AND FUNCTIONS	5	IC BLOCK DIAGRAMS	31
ALIGNMENT PROCEDURES	6	SCHEMATIC DIAGRAMS	36
CIRCUIT DESCRIPTION	6	WIRING DIAGRAM	48

harman/kardon

Parts and Service Office
240 Crossways Park West, Woodbury, N.Y. 11797
1112-0330B152 G9402 1500 Printed in Japan

CLICK HERE TO **DOWNLOAD** THE COMPLETE MANUAL

- Thank you very much for reading the preview of the manual.
- You can download the complete manual from: www.heydownloads.com by clicking the link below



- Please note: If there is no response to CLICKING the link, please download this PDF first and then click on it.

CLICK HERE TO **DOWNLOAD** THE COMPLETE MANUAL

A

B

C

D

E

GENERAL UNIT (1/2)

EXPLODED VIEW FRONT PANEL ASSY

1

2

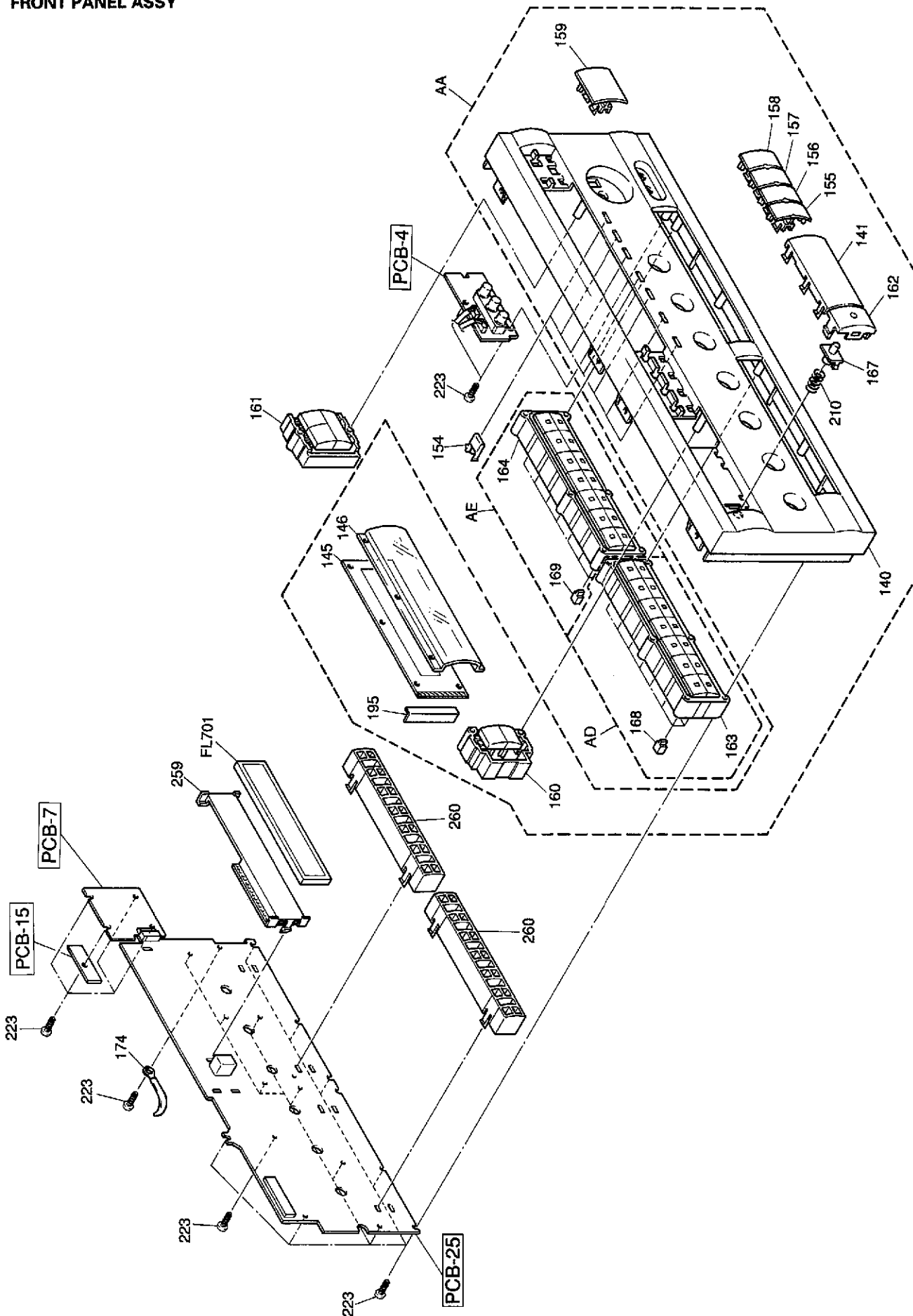
3

4

5

6

7



A

B

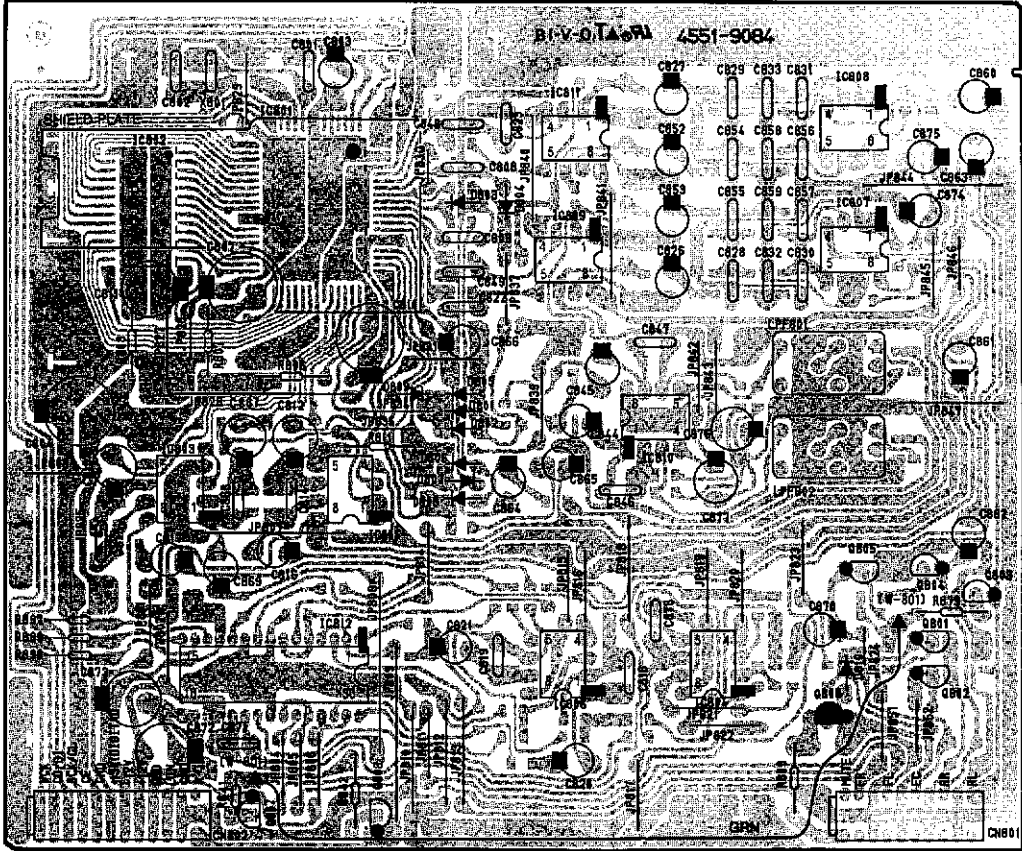
C

D

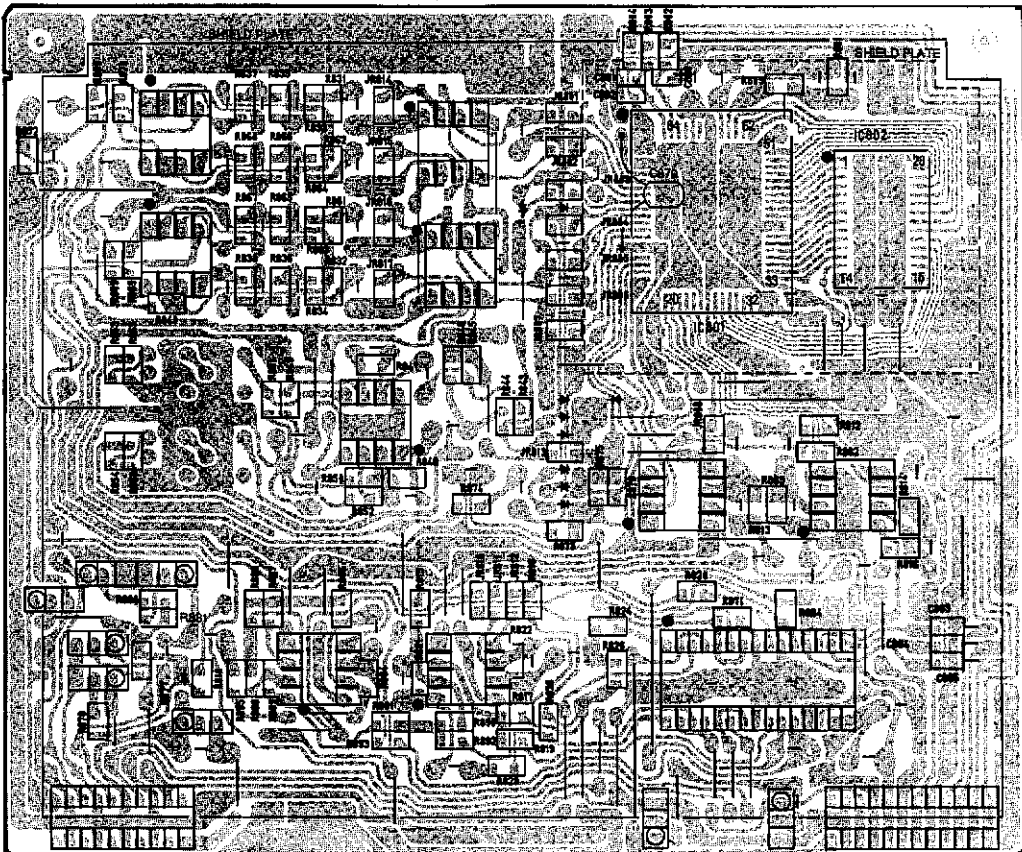
E

P. C. BOARDS (5)

PCB-23 DSP P. C. Board (Parts Side)



(Pattern Side)



Ser. No.	Ref. No.	Part No.	Description
555	D1471	5631-1SS133	DIODE,DET
555	D1472	5631-1SS133	DIODE,DET
453	D1473	5631-1SS133	DIODE,DET

COILS

601	L401	5991-7125	SPRING COIL
601	L402	5991-7125	SPRING COIL
491	L1401	5991-7165	SPRING COIL
491	L1402	5991-7165	SPRING COIL
541	L1501	5991-7165	SPRING COIL

CONTROLS

598	VR401	5101-S0801501	RES,SEMI FIX 500, IDLING
598	VR402	5101-S0801501	RES,SEMI FIX 500, IDLING
488	VR1401	5101-S0801501	RES,SEMI FIX 500, IDLING
488	VR1402	5101-S0801501	RES,SEMI FIX 500, IDLING
538	VR1501	5101-S0801501	RES,SEMI FIX 500, IDLING

MISCELLANEOUS

870	CN8	4443-0201140	CONNECTOR
864	CN21	4443-0501140	CONNECTOR
872	CN710	4443-08101006	CONNECTOR
874	CN711	4443-01801012	CONNECTOR
867	CN712	4443-030185	CONNECTOR
875	CN715	4443-01801010	CONNECTOR
867	CN716	4443-030185	CONNECTOR
869	CN717	4443-050185	CONNECTOR
871	CN719	4443-08101012	CONNECTOR
871	CN720	4443-08101012	CONNECTOR
873	CN721	4443-08101016	CONNECTOR
868	CN722	4443-040185	CONNECTOR
620	CN730	4443-0301140	CONNECTOR
867	CN1501	4443-030185	CONNECTOR
934	△ JL3	4132-R0202161	CORD,2C
902	△ JL405	4242-R0103800	JUMPER LEAD
902	△ JL406	4242-R0103800	JUMPER LEAD
545	△ JL422	4132-R0100800	CORD,2C
903	△ JL1403	4242-R0103101	JUMPER LEAD
903	△ JL1404	4242-R0103101	JUMPER LEAD
902	△ JL1501	4242-R0103800	JUMPER LEAD
897	△ LCN12	4163-0155027	CONNECTOR W/W BK WB SB
897	△ LCN12	4163-0140027	CONNECTOR W/W IB
923	△ LCN13	4163-0150024	CONNECTOR W/W BK WB SB
923	△ LCN13	4163-0140024	CONNECTOR W/W IB
922	△ LCN14	4163-0155025	CONNECTOR W/W BK WB SB
922	△ LCN14	4163-0140025	CONNECTOR W/W IB
920	△ LCN15	4163-0130027	CONNECTOR W/W BK WB SB
920	△ LCN15	4163-0155027	CONNECTOR W/W IB
921	△ LCN16	4163-0130026	CONNECTOR W/W BK WB SB
921	△ LCN16	4163-0155026	CONNECTOR W/W IB
905	△ LCN17	4163-0130025	CONNECTOR W/W BK WB SB
905	△ LCN17	4163-0155025	CONNECTOR W/W IB
929	△ LCN401	4163-0145027	CONNECTOR W/W BK WB SB
929	△ LCN401	4163-0170027	CONNECTOR W/W IB
928	△ LCN402	4163-0145025	CONNECTOR W/W BK WB SB
928	△ LCN402	4163-0170025	CONNECTOR W/W IB
909	△ LCN714	4163-S0204101	CONNECTOR W/W
910	△ LCN718	4163-S0206161	CONNECTOR W/W
907	△ LCN1401	4163-S0202141	CONNECTOR W/W
927	△ LCN1402	4163-0135027	CONNECTOR W/W BK WB SB
927	△ LCN1402	4163-0130027	CONNECTOR W/W IB
926	△ LCN1403	4163-0135026	CONNECTOR W/W BK WB SB
926	△ LCN1403	4163-0130026	CONNECTOR W/W IB
925	△ LCN1404	4163-0135025	CONNECTOR W/W BK WB SB
925	△ LCN1404	4163-0130025	CONNECTOR W/W IB
924	△ LCN1405	4163-0135024	CONNECTOR W/W BK WB SB
924	△ LCN1405	4163-0130024	CONNECTOR W/W IB
498	△ LCN1406	4163-0125039	CONNECTOR W/W
933	△ LCN1501	4163-0180025	CONNECTOR W/W BK WB SB
933	△ LCN1501	4163-0180025	CONNECTOR W/W IB
932	△ LCN1502	4163-0180024	CONNECTOR W/W BK WB SB
932	△ LCN1502	4163-0180024	CONNECTOR W/W IB
552	△ LCN1505	4163-0122024	CONNECTOR W/W
560	PT1	5192-010BD471	POSISTOR
616	TM402	4214-11022	TERMINAL
852	TM403	4214-11032	TERMINAL
602	TP401	4443-027114	CONNECTOR
602	TP402	4443-027114	CONNECTOR

Ser. No.	Ref. No.	Part No.	Description
542	TP1501	4443-027114	CONNECTOR
551		4211-4	LUG IB
254		2240-Z031	HOLDER, HL1401

PCB-21 REAR AMP P.C. BOARD

CAPACITORS

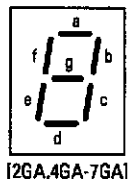
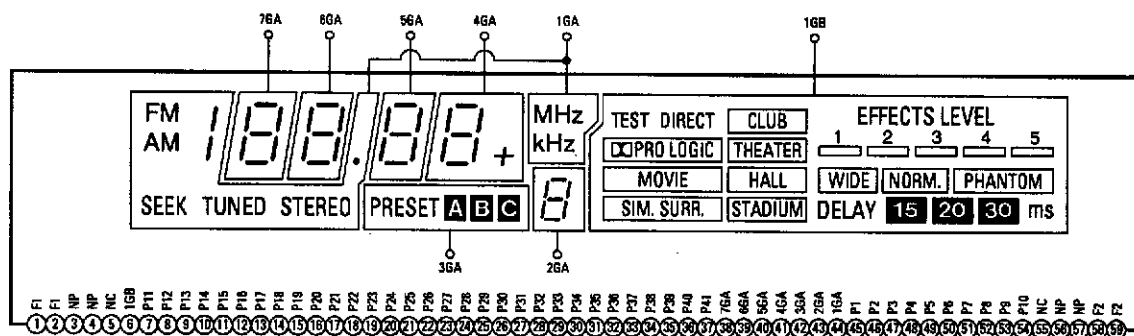
456	C1401	5345-476B041	CAP,MINI ELE 47μ/10V
456	C1402	5345-476B041	CAP,MINI ELE 47μ/10V
462	C1403	5359-6805851	CAP,PPP 68P
462	C1404	5359-6805851	CAP,PPP 68P
463	C1405	5353-010933	CAP,MCA 1P
463	C1406	5353-010933	CAP,MCA 1P
457	C1407	5345-477A041	CAP,MINI ELE 470μ/6.3V
457	C1408	5345-477A041	CAP,MINI ELE 470μ/6.3V
458	C1409	5345-S25EM477	CAP,MINI ELE 470μ/35V
458	C1410	5345-S25EM477	CAP,MINI ELE 470μ/35V
458	C1411	5345-S25EM477	CAP,MINI ELE 470μ/35V
458	C1412	5345-S25EM477	CAP,MINI ELE 470μ/35V
459	C1413	5345-106F041	CAP,MINI ELE 10μ/50V
459	C1414	5345-106F041	CAP,MINI ELE 10μ/50V
464	C1415	5359-1015851	CAP,PPP 100P
464	C1416	5359-1015851	CAP,PPP 100P
460	C1417	5345-475D041	CAP,MINI ELE 4.7U/25V
460	C1418	5345-475D041	CAP,MINI ELE 4.7U/25V
466	C1419	5352-S110J104	CAP,MTL .1μ
466	C1420	5352-S110J104	CAP,MTL .1μ
466	C1421	5352-S110J104	CAP,MTL .1μ
466	C1422	5352-S110J104	CAP,MTL .1μ
494	C1423	5359-S010K221	CAP,PPP 220P
494	C1424	5359-S010K221	CAP,PPP 220P
618	C1425	5345-106F041	CAP,MINI ELE 10μ/50V
618	C1426	5345-106F041	CAP,MINI ELE 10μ/50V
465	C1471	5354-683J1HM	CAP,MYL .068μ
465	C1472	5354-683J1HM	CAP,MYL .068μ
455	△ C1473	5345-338E0962	CAP,MINI ELE 3300μ/35V
455	△ C1474	5345-338E0962	CAP,MINI ELE 3300μ/35V
461	C1475	5345-105F041	CAP,MINI ELE 1μ/50V

RESISTORS

492	R71	5130-R030J103	RES,CBN 1/2P 10K
497	R72	5130-R010J222	RES,CBN 1/6P 2.2K
547	R1401	5130-R030J683	RES,CBN 1/2P 68K
547	R1402	5130-R030J683	RES,CBN 1/2P 68K
475	R1403	5130-R030J331	RES,CBN 1/2P 330
475	R1404	5130-R030J331	RES,CBN 1/2P 330
471	R1405	5130-R030J150	RES,CBN 1/2P 15
471	R1406	5130-R030J150	RES,CBN 1/2P 15
471	R1407	5130-R030J150	RES,CBN 1/2P 15
471	R1408	5130-R030J150	RES,CBN 1/2P 15
474	R1409	5130-R030J271	RES,CBN 1/2P 270
474	R1410	5130-R030J271	RES,CBN 1/2P 270
476	R1411	5130-R030J561	RES,CBN 1/2P 560
476	R1412	5130-R030J561	RES,CBN 1/2P 560
476	R1413	5130-R030J561	RES,CBN 1/2P 560
476	R1414	5130-R030J561	RES,CBN 1/2P 560
480	R1415	5130-R030J152	RES,CBN 1/2P 1.5K
480	R1416	5130-R030J152	RES,CBN 1/2P 1.5K
480	R1417	5130-R030J152	RES,CBN 1/2P 1.5K
480	R1418	5130-R030J152	RES,CBN 1/2P 1.5K
476	R1419	5130-R030J561	RES,CBN 1/2P 560
476	R1420	5130-R030J561	RES,CBN 1/2P 560
473	R1421	5130-R030J102	RES,CBN 1/2P 1K
473	R1422	5130-R030J102	RES,CBN 1/2P 1K
476	R1423	5130-R030J561	RES,CBN 1/2P 560
476	R1424	5130-R030J561	RES,CBN 1/2P 560
468	△ R1425	5102-5605116	RES,FUSE 56
468	△ R1426	5102-5605116	RES,FUSE 56
483	R1427	5130-R030J223	RES,CBN 1/2P 22K
483	R1428	5130-R030J223	RES,CBN 1/2P 22K
483	R1429	5130-R030J223	RES,CBN 1/2P 22K
483	R1430	5130-R030J223	RES,CBN 1/2P 22K
479	R1431	5130-R030J122	RES,CBN 1/2P 1.2K
479	R1432	5130-R030J122	RES,CBN 1/2P 1.2K
557	R1433	5130-R030J271	RES,CBN 1/2P 270
556	R1434	5130-R010J271	RES,CBN 1/6P 270
476	R1435	5130-R030J561	RES,CBN 1/2P 560
476	R1436	5130-R030J561	RES,CBN 1/2P 560

FL701

DISPLAY PIN CONNECTION



[2GA,4GA-7GA]

ANODE CONNECTION

	7GA	6GA	5GA	4GA	3GA	2GA	1GA	1GB		7GA	6GA	5GA	4GA	3GA	2GA	1GA	1GB
P1	a	a	a	a	A	a	FM. MHz	-	P22	-	-	-	-	-	-	-	(MOVIE)
P2	b	b	b	b	B	b		-	P23	-	-	-	-	-	-	-	(PRO LOGIC)
P3	c	c	c	c	C	c	-	-	P24	-	-	-	-	-	-	-	PRO LOGIC
P4	d	d	d	d	-	d	AM kHz	-	P25	-	-	-	-	-	-	-	(WIDE)
P5	e	e	e	e	-	e	-	-	P26	-	-	-	-	-	-	-	WIDE
P6	f	f	f	f	-	f	-	-	P27	-	-	-	-	-	-	-	(NORM.)
P7	g	g	g	g	-	g	-	-	P28	-	-	-	-	-	-	-	NORM.
P8	-	-	-	+	PRESET	-	SEEK	-	P29	-	-	-	-	-	-	-	(PHANTOM)
P9	-	-	-	-	-	-	STEREO	-	P30	-	-	-	-	-	-	-	PHANTOM
P10	-	-	-	-	-	-	TUNED	-	P31	-	-	-	-	-	-	-	TEST
P11	-	-	-	-	-	-	-	STADIUM	P32	-	-	-	-	-	-	-	DELAY ms
P12	-	-	-	-	-	-	-	(STADIUM)	P33	-	-	-	-	-	-	-	DIRECT
P13	-	-	-	-	-	-	-	HALL	P34	-	-	-	-	-	-	-	15
P14	-	-	-	-	-	-	-	(HALL)	P35	-	-	-	-	-	-	-	20
P15	-	-	-	-	-	-	-	THEATER	P36	-	-	-	-	-	-	-	30
P16	-	-	-	-	-	-	-	(THEATER)	P37	-	-	-	-	-	-	-	EFFECTS LEVEL 1 2 3 4 5
P17	-	-	-	-	-	-	-	CLUB		-	-	-	-	-	-	-	
P18	-	-	-	-	-	-	-	(CLUB)	P38	-	-	-	-	-	-	-	(2)
P19	-	-	-	-	-	-	-	SIM. SURR.	P39	-	-	-	-	-	-	-	(3)
P20	-	-	-	-	-	-	-	(SIM.SURR.)	P40	-	-	-	-	-	-	-	(4)
P21	-	-	-	-	-	-	-	MOVIE	P41	-	-	-	-	-	-	-	(5)

CLICK HERE TO **DOWNLOAD** THE COMPLETE MANUAL

- Thank you very much for reading the preview of the manual.
- You can download the complete manual from: www.heydownloads.com by clicking the link below



- Please note: If there is no response to CLICKING the link, please download this PDF first and then click on it.

CLICK HERE TO **DOWNLOAD** THE COMPLETE MANUAL