

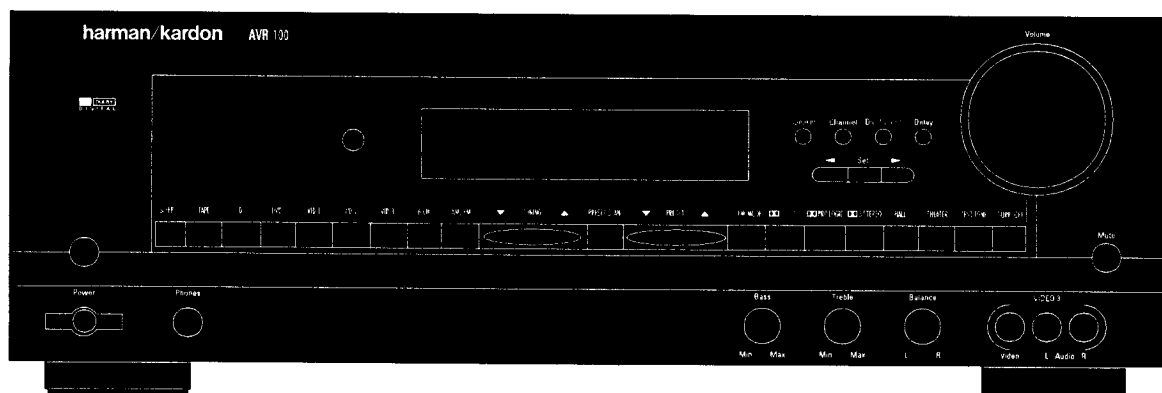
The Harman Kardon

Model AVR100/AVR200

Manual A

AUDIO AND VIDEO RECEIVER

Technical Manual



CONTENTS

SPECIFICATIONS.....	2	EXPLODED VIEW.....	35
ELECTROSTATICALLY SENSITIVE (ES) DEVICES.....	3	PRINCIPAL SCREW LOCATIONS.....	37
LEAKAGE TEST.....	4	ELECTRICAL PARTS LIST.....	43
ALIGNMENT PROCEDURES.....	5	IC BLOCK DIAGRAMS.....	71
CONTROLS AND FUNCTIONS.....	8	P.C. BOARDS.....	85
CIRCUIT DESCRIPTION.....	11	SCHEMATIC DIAGRAMS.....	93
BLOCK DIAGRAM.....	30	WIRING DIAGRAM.....	101
DISASSEMBLY PROCEDURES.....	31	PACKING MATERIAL AND PARTS LIST.....	102

harman/kardon

Parts and Service Office

250 Crossways Park Dr, Woodbury, N.Y.11797

1112 AVR100 / AVR200 1200 Printed in Korea

CLICK HERE TO **DOWNLOAD** THE COMPLETE MANUAL

- Thank you very much for reading the preview of the manual.
- You can download the complete manual from: www.heydownloads.com by clicking the link below



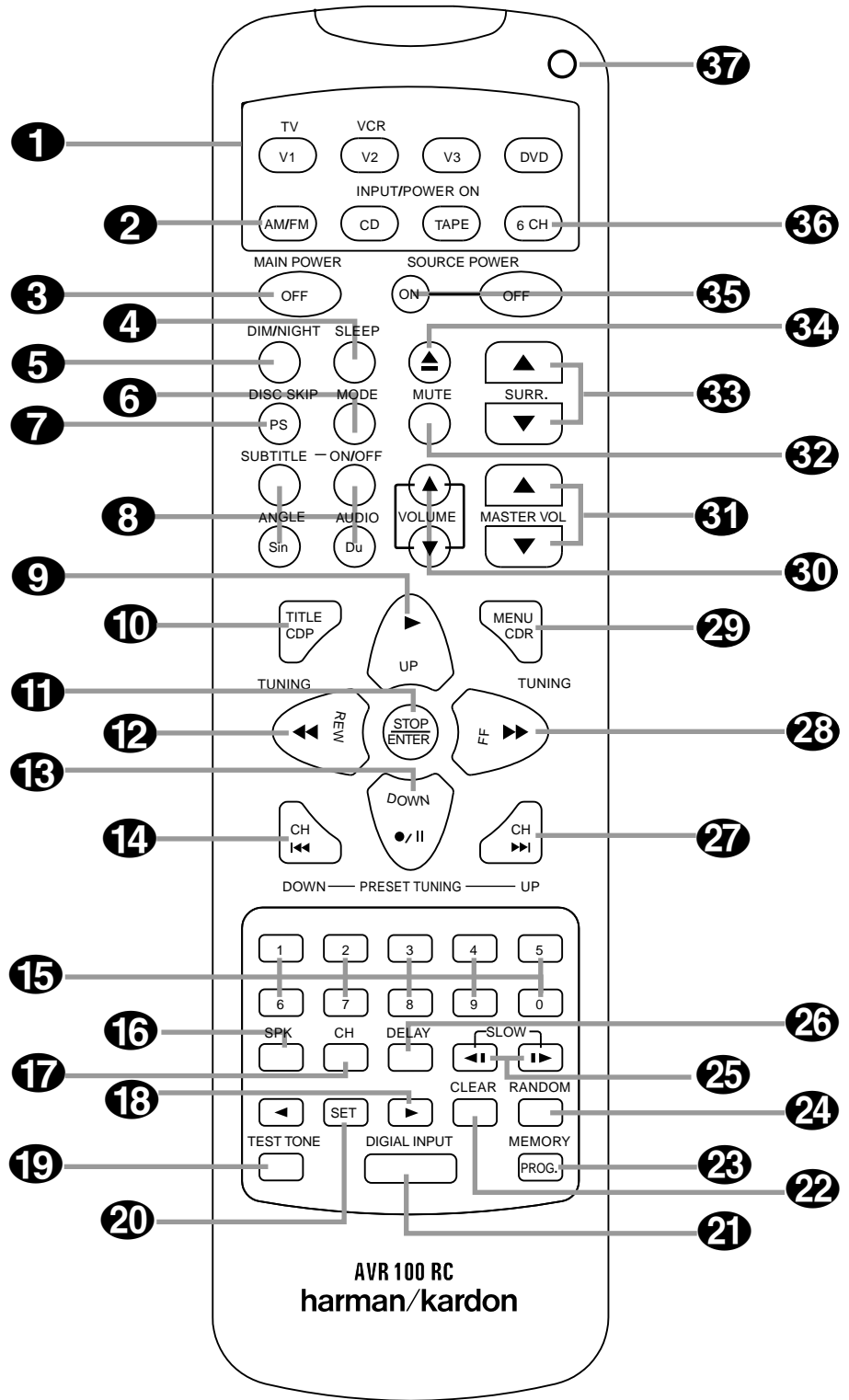
- Please note: If there is no response to CLICKING the link, please download this PDF first and then click on it.

CLICK HERE TO **DOWNLOAD** THE COMPLETE MANUAL

Remote Control Functions

- 1 Device Selectors
- 2 Tuner Selector
- 3 Main Power Off Button
- 4 Sleep Button
- 5 Night Mode/Dim Switch
- 6 FM Tune Mode Button
- 7 Disk Skip Button
- 8 DVD Function Buttons
- 9 Play/Up Button
- 10 Title/CDP Button
- 11 Stop/Enter Button
- 12 Tune Down/Rewind Button
- 13 Pause/Down Buttons
- 14 Preset Down/Channel Down Button
- 15 Numeric Keys
- 16 Speaker Select Button
- 17 Channel Select Button
- 18 ◀/▶ Select Button
- 19 Test Tune Button
- 20 Set Button
- 21 Digital Input Selector
- 22 Clear Button
- 23 Memory Button
- 24 Direct/Random Play Button
- 25 Slow Play Buttons
- 26 Delay Button
- 27 Preset Up/Channel Up Button
- 28 Tune Up/Fast Forward Button
- 29 Menu/CDR Button
- 30 Device Volume Control
- 31 Master Volume Control
- 32 Mute Button
- 33 Surround Mode Selectors
- 34 Open/Close Button
- 35 Source Power Controls
- 36 6 Channel Direct Selector
- 37 Program/Command Indicator

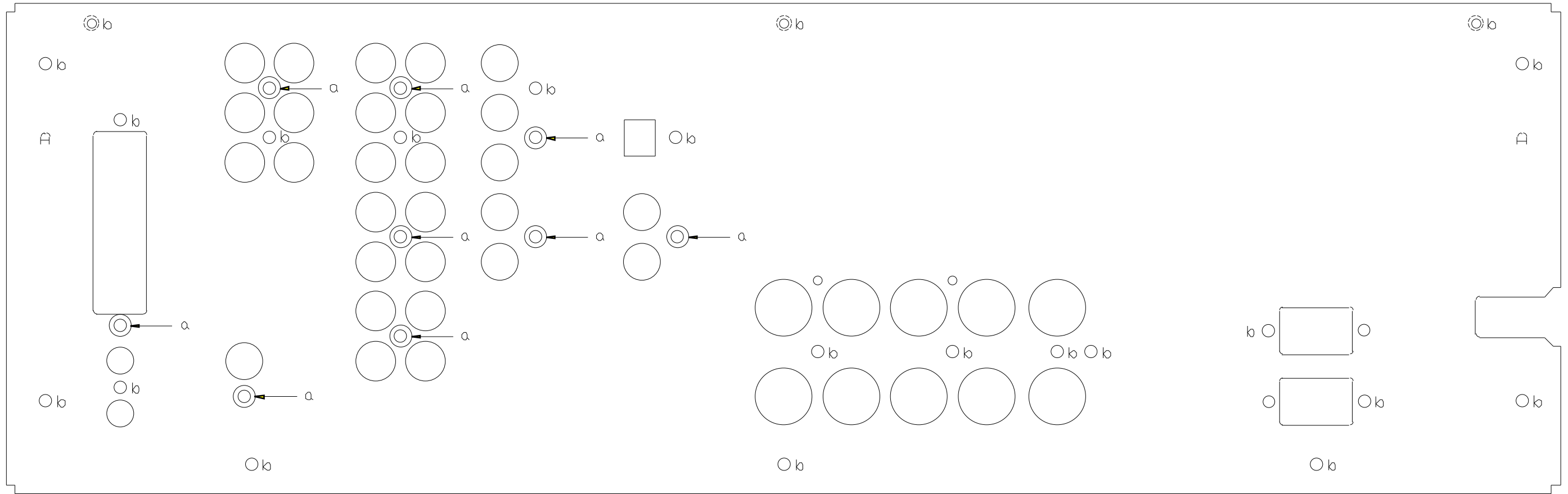
NOTE: The function names shown here are each button's feature when used with the AVR. Most buttons have additional functions when used with other devices. See page xx for a list of these functions.



FIP MAPPING TABLE

	G1	G2	G3	G4	G5	G6	G7	G8	G9	G10	G11	G12	G13	G14
	FA70H	FA71H	FA72H	FA73H	FA74H	FA75H	FA76H	FA77H	FA78H	FA79H	FA7AH	FA7BH	FA7CH	FA7DH
S1	S1	S1	S1	S1	S1	S1	S1	S1	S1	S1	S1	S1	S1	
S2	S2	S2	S2	S2	S2	S2	S2	S2	S2	S2	S2	S2	S2	
S3	S3	S3	S3	S3	S3	S3	S3	S3	S3	S3	S3	S3	S3	
S4	S4	S4	S4	S4	S4	S4	S4	S4	S4	S4	S4	S4	S4	
S5	S5	S5	S5	S5	S5	S5	S5	S5	S5	S5	S5	S5	S5	
S6	S6	S6	S6	S6	S6	S6	S6	S6	S6	S6	S6	S6	S6	COAX2
S7	S7	S7	S7	S7	S7	S7	S7	S7	S7	S7	S7	S7	S7	COAX1
S8	S8	S8	S8	S8	S8	S8	S8	S8	S8	S8	S8	S8	S8	(OPT1)2
	FA60H	FA61H	FA62H	FA63H	FA64H	FA65H	FA66H	FA67H	FA68H	FA69H	FA6AH	FA6BH	FA6CH	FA6DH
S9	S9	S9	S9	S9	S9	S9	S9	S9	S9	S9	S9	S9	S9	(OPT1)1(2)
S10	S10	S10	S10	S10	S10	S10	S10	S10	S10	S10	S10	S10	S10	OPT
S11	S11	S11	S11	S11	S11	S11	S11	S11	S11	S11	S11	S11	S11	MPEG 2
S12	S12	S12	S12	S12	S12	S12	S12	S12	S12	S12	S12	S12	S12	DTS
S13	S13	S13	S13	S13	S13	S13	S13	S13	S13	S13	S13	S13	S13	THEATER
S14	S14	S14	S14	S14	S14	S14	S14	S14	S14	S14	S14	S14	S14	(HALL1)2
S15	S15	S15	S15	S15	S15	S15	S15	S15	S15	S15	S15	S15	S15	(HALL)1(2)
S16				PTY		S16								HALL
	FA50H	FA51H	FA52H	FA53H	FA54H	FA55H	FA56H	FA57H	FA58H	FA59H	FA5AH	FA5BH	FA5CH	FA5DH
S17	S17	S17	S17	S17	S17	S17	S17	S17	S17	S17	S17	S17		3 STEREO
S18	S18	S18	S18	S18	S18	S18	S18	S18	S18	S18	S18	S18		PROLOGIC
S19	S19	S19	S19	S19	S19	S19	S19	S19	S19	S19	S19	S19	S19	DIGITAL

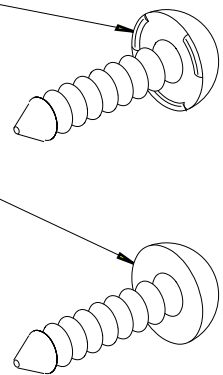
* AVR-100 PRINCIPAL SCREW LOCATION



- * a POINT(9) : MMAC-16400-004 SCREW-T/P-TOOTH<FOR GROUNDING>
- * b POINT(22) : XSTB-30100-ZB4 SCREW-TAPPING

MMAC-16400-004 SCREW-T/P-TOOTH

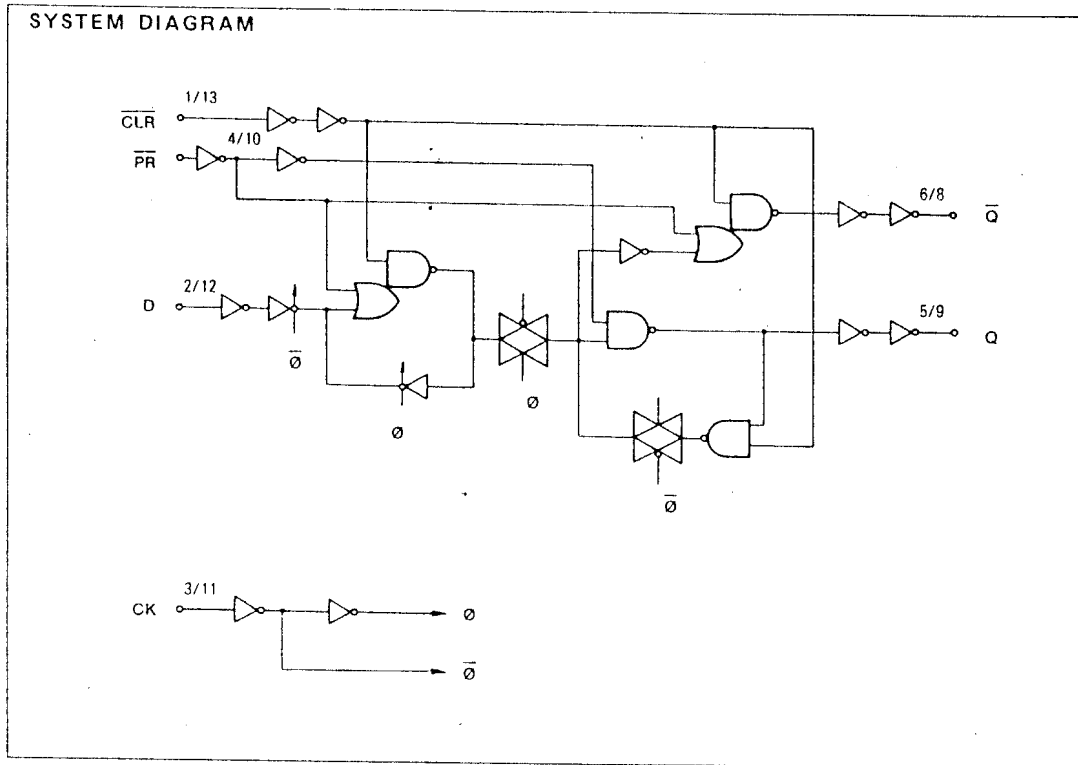
XSTB-30100-ZB4 SCREW-TAPPING



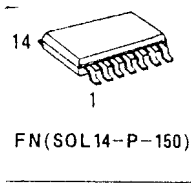
<i>Ref. No.</i>	<i>Part No.</i>	<i>Description</i>
ASS'Y-AMP PCB		
RESISTORS		
R257	RCFT-E561J-000	RESISTOR-CARBON FILM 560ohm 1/5W 5% T
R258	RCFT-E472J-000	RESISTOR-CARBON FILM 4.7Kohm 1/5W 5% T
R259	RCFT-E223J-000	RESISTOR-CARBON FILM 22Kohm 1/5W 5% T
R260	RCFT-E122J-000	RESISTOR-CARBON FILM 1.2Kohm 1/5W 5% T
R261	RCFT-E223J-000	RESISTOR-CARBON FILM 22Kohm 1/5W 5% T
R262	RCFT-E821J-000	RESISTOR-CARBON FILM 820ohm 1/5W 5% T
R263	RCFT-E821J-000	RESISTOR-CARBON FILM 820ohm 1/5W 5% T
R264	RCFT-E820J-000	RESISTOR-CARBON FILM 82ohm 1/5W 5% T
R265	RCFT-E820J-000	RESISTOR-CARBON FILM 82ohm 1/5W 5% T
R266	RCFT-E820J-000	RESISTOR-CARBON FILM 82ohm 1/5W 5% T
R267	RCFT-E182J-000	RESISTOR-CARBON FILM 1.8Kohm 1/5W 5% T
R268	RCFT-E911J-000	RESISTOR-CARBON FILM 910ohm 1/5W 5% T
R269	RCFT-E202J-000	RESISTOR-CARBON FILM 2Kohm 1/5W 5% T
R270	RCFT-E682J-000	RESISTOR-CARBON FILM 6.8Kohm 1/5W 5% T
R271	RCFT-E390J-000	RESISTOR-CARBON FILM 39ohm 1/5W 5% T
R272	RCFT-E390J-000	RESISTOR-CARBON FILM 39ohm 1/5W 5% T
R273	RCFT-E390J-000	RESISTOR-CARBON FILM 39ohm 1/5W 5% T
R274	RCFT-E390J-000	RESISTOR-CARBON FILM 39ohm 1/5W 5% T
R275	RCFT-E243J-000	RESISTOR-CARBON FILM 24Kohm 1/5W 5% T
R276	RCFT-E333J-000	RESISTOR-CARBON FILM 33Kohm 1/5W 5% T
R277	RCFT-E103J-000	RESISTOR-CARBON FILM 10Kohm 1/5W 5% T
R278	RCFT-E151J-000	RESISTOR-CARBON FILM 150ohm 1/5W 5% T
R279	RCFT-E680J-000	RESISTOR-CARBON FILM 68ohm 1/5W 5% T
R280	RCFT-E150J-000	RESISTOR-CARBON FILM 15ohm 1/5W 5% T
R281	RCFT-E150J-000	RESISTOR-CARBON FILM 15ohm 1/5W 5% T
R282	RCFT-E102J-000	RESISTOR-CARBON FILM 1Kohm 1/5W 5% T
R283	RCFT-E333J-000	RESISTOR-CARBON FILM 33Kohm 1/5W 5% T
R284	RCFT-E681J-000	RESISTOR-CARBON FILM 680ohm 1/5W 5% T
R285	RCFT-E751J-000	RESISTOR-CARBON FILM 750ohm 1/5W 5% T
R286	RCFT-E751J-000	RESISTOR-CARBON FILM 750ohm 1/5W 5% T
R287	RCFT-E561J-000	RESISTOR-CARBON FILM 560ohm 1/5W 5% T
R288	RCFT-E561J-000	RESISTOR-CARBON FILM 560ohm 1/5W 5% T
R289	RCFT-E182J-000	RESISTOR-CARBON FILM 1.8Kohm 1/5W 5% T
R290	RCFT-E561J-000	RESISTOR-CARBON FILM 560ohm 1/5W 5% T
R291	RCFT-E561J-000	RESISTOR-CARBON FILM 560ohm 1/5W 5% T
R292	RCFT-E561J-000	RESISTOR-CARBON FILM 560ohm 1/5W 5% T
R293	RCFT-E561J-000	RESISTOR-CARBON FILM 560ohm 1/5W 5% T
R294	RCFT-E472J-000	RESISTOR-CARBON FILM 4.7Kohm 1/5W 5% T
R295	RCFT-E223J-000	RESISTOR-CARBON FILM 22Kohm 1/5W 5% T
R296	RCFT-E122J-000	RESISTOR-CARBON FILM 1.2Kohm 1/5W 5% T
R297	RCFT-E223J-000	RESISTOR-CARBON FILM 22Kohm 1/5W 5% T
R298	RCFT-E821J-000	RESISTOR-CARBON FILM 820ohm 1/5W 5% T
R299	RCFT-E821J-000	RESISTOR-CARBON FILM 820ohm 1/5W 5% T
R300	RCFT-E820J-000	RESISTOR-CARBON FILM 82ohm 1/5W 5% T
R301	RCFT-E820J-000	RESISTOR-CARBON FILM 82ohm 1/5W 5% T
R302	RCFT-E333J-000	RESISTOR-CARBON FILM 33Kohm 1/5W 5% T
R303	RCFT-E820J-000	RESISTOR-CARBON FILM 82ohm 1/5W 5% T
R304	RCFT-E182J-000	RESISTOR-CARBON FILM 1.8Kohm 1/5W 5% T
R305	RCFT-E911J-000	RESISTOR-CARBON FILM 910ohm 1/5W 5% T
R306	RCFT-E202J-000	RESISTOR-CARBON FILM 2Kohm 1/5W 5% T
R307	RCFT-E682J-000	RESISTOR-CARBON FILM 6.8Kohm 1/5W 5% T
R308	RCFT-E390J-000	RESISTOR-CARBON FILM 39ohm 1/5W 5% T
R309	RCFT-E390J-000	RESISTOR-CARBON FILM 39ohm 1/5W 5% T
R310	RCFT-E390J-000	RESISTOR-CARBON FILM 39ohm 1/5W 5% T
R311	RCFT-E390J-000	RESISTOR-CARBON FILM 39ohm 1/5W 5% T
R312	RCFT-E243J-000	RESISTOR-CARBON FILM 24Kohm 1/5W 5% T
R313	RCFT-E333J-000	RESISTOR-CARBON FILM 33Kohm 1/5W 5% T
R314	RCFT-E103J-000	RESISTOR-CARBON FILM 10Kohm 1/5W 5% T
R315	RCFT-E151J-000	RESISTOR-CARBON FILM 150ohm 1/5W 5% T
R316	RCFT-E680J-000	RESISTOR-CARBON FILM 68ohm 1/5W 5% T
R317	RCFT-E150J-000	RESISTOR-CARBON FILM 15ohm 1/5W 5% T
R318	RCFT-E150J-000	RESISTOR-CARBON FILM 15ohm 1/5W 5% T
R319	RCFT-E102J-000	RESISTOR-CARBON FILM 1Kohm 1/5W 5% T
R320	RCFT-E333J-000	RESISTOR-CARBON FILM 33Kohm 1/5W 5% T
R321	RCFT-E681J-000	RESISTOR-CARBON FILM 680ohm 1/5W 5% T
R322	RCFT-E751J-000	RESISTOR-CARBON FILM 750ohm 1/5W 5% T
R323	RCFT-E751J-000	RESISTOR-CARBON FILM 750ohm 1/5W 5% T
R324	RCFT-E561J-000	RESISTOR-CARBON FILM 560ohm 1/5W 5% T
R325	RCFT-E561J-000	RESISTOR-CARBON FILM 560ohm 1/5W 5% T
R326	RCFT-E182J-000	RESISTOR-CARBON FILM 1.8Kohm 1/5W 5% T
R327	RCFT-E561J-000	RESISTOR-CARBON FILM 560ohm 1/5W 5% T
R328	RCFT-E561J-000	RESISTOR-CARBON FILM 560ohm 1/5W 5% T
R329	RCFT-E561J-000	RESISTOR-CARBON FILM 560ohm 1/5W 5% T

<i>Ref. No.</i>	<i>Part No.</i>	<i>Description</i>
BLOCK-DSP PCB		
RESISTORS		
R1011	RCPB-B103J-21C	RESISTOR-CHIP C/FILM 10Kohm 1/10W 5% B
R1012	RCPB-B103J-21C	RESISTOR-CHIP C/FILM 10Kohm 1/10W 5% B
R1013	RCPB-B103J-21C	RESISTOR-CHIP C/FILM 10Kohm 1/10W 5% B
R1014	RCPB-B103J-21C	RESISTOR-CHIP C/FILM 10Kohm 1/10W 5% B
R1015	RCPB-B103J-21C	RESISTOR-CHIP C/FILM 10Kohm 1/10W 5% B
R1016	RCPB-B103J-21C	RESISTOR-CHIP C/FILM 10Kohm 1/10W 5% B
R1017	RCPB-B151J-21C	RESISTOR-CHIP C/FILM 150ohm 1/10W 5% B
R1018	RCPB-B151J-21C	RESISTOR-CHIP C/FILM 150ohm 1/10W 5% B
R1019	RCPB-B151J-21C	RESISTOR-CHIP C/FILM 150ohm 1/10W 5% B
R1020	RCPB-B151J-21C	RESISTOR-CHIP C/FILM 150ohm 1/10W 5% B
R1021	RCPB-B470J-21C	RESISTOR-CHIP C/FILM 47ohm 1/10W 5% B
R1022	RCPB-B470J-21C	RESISTOR-CHIP C/FILM 47ohm 1/10W 5% B
R1023	RCPB-B472J-21C	RESISTOR-CHIP C/FILM 4.7Kohm 1/10W 5% B
R1024	RCPB-B102J-21C	RESISTOR-CHIP C/FILM 1Kohm 1/10W 5% B
R1025	RCPB-B100J-21C	RESISTOR-CHIP C/FILM 10ohm 1/10W 5% B
R1026	RCPB-B100J-21C	RESISTOR-CHIP C/FILM 10ohm 1/10W 5% B
R1027	RCPB-B472J-21C	RESISTOR-CHIP C/FILM 4.7Kohm 1/10W 5% B
R1028	RCPB-B472J-21C	RESISTOR-CHIP C/FILM 4.7Kohm 1/10W 5% B
R1029	RCPB-B820J-21C	RESISTOR-CHIP C/FILM 82ohm 1/10W 5% B
R1030	RCPB-B820J-21C	RESISTOR-CHIP C/FILM 82ohm 1/10W 5% B
R1031	RCPB-B104J-21C	RESISTOR-CHIP C/FILM 100Kohm 1/10W 5% B
R1032	RCPB-B104J-21C	RESISTOR-CHIP C/FILM 100Kohm 1/10W 5% B
R1033	RCPB-B681J-21C	RESISTOR-CHIP C/FILM 680ohm 1/10W 5% B
R1034	RCPB-B681J-21C	RESISTOR-CHIP C/FILM 680ohm 1/10W 5% B
R1035	RCPB-B681J-21C	RESISTOR-CHIP C/FILM 680ohm 1/10W 5% B
R1036	RCPB-B105J-21C	RESISTOR-CHIP C/FILM 1Mohm 1/10W 5% B
R1037	RCPB-B183J-21C	RESISTOR-CHIP C/FILM 18Kohm 1/10W 5% B
R1038	RCPB-B472J-21C	RESISTOR-CHIP C/FILM 4.7Kohm 1/10W 5% B
R1039	RCPB-B472J-21C	RESISTOR-CHIP C/FILM 4.7Kohm 1/10W 5% B
R1040	RCPB-B183J-21C	RESISTOR-CHIP C/FILM 18Kohm 1/10W 5% B
R1041	RCPB-B472J-21C	RESISTOR-CHIP C/FILM 4.7Kohm 1/10W 5% B
R1042	RCPB-B183J-21C	RESISTOR-CHIP C/FILM 18Kohm 1/10W 5% B
R1043	RCPB-B681J-21C	RESISTOR-CHIP C/FILM 680ohm 1/10W 5% B
R1044	RCPB-B681J-21C	RESISTOR-CHIP C/FILM 680ohm 1/10W 5% B
R1045	RCPB-B681J-21C	RESISTOR-CHIP C/FILM 680ohm 1/10W 5% B
R1046	RCPB-B472J-21C	RESISTOR-CHIP C/FILM 4.7Kohm 1/10W 5% B
R1047	RCPB-B471J-21C	RESISTOR-CHIP C/FILM 470ohm 1/10W 5% B
R1049	RCPB-B681J-21C	RESISTOR-CHIP C/FILM 680ohm 1/10W 5% B
R1050	RCPB-B102J-21C	RESISTOR-CHIP C/FILM 1Kohm 1/10W 5% B
R1051	RCPB-B102J-21C	RESISTOR-CHIP C/FILM 1Kohm 1/10W 5% B
R1052	RCPB-B101J-21C	RESISTOR-CHIP C/FILM 100ohm 1/10W 5% B
R1053	RCPB-B222J-21C	RESISTOR-CHIP C/FILM 2.2Kohm 1/10W 5% B
R1054	RCPB-B102J-21C	RESISTOR-CHIP C/FILM 1Kohm 1/10W 5% B
R1055	RCPB-B102J-21C	RESISTOR-CHIP C/FILM 1Kohm 1/10W 5% B
R1056	RCPB-B102J-21C	RESISTOR-CHIP C/FILM 1Kohm 1/10W 5% B
R1057	RCPB-B103J-21C	RESISTOR-CHIP C/FILM 10Kohm 1/10W 5% B
R1058	RCPB-B103J-21C	RESISTOR-CHIP C/FILM 10Kohm 1/10W 5% B
R1059	RCPB-B103J-21C	RESISTOR-CHIP C/FILM 10Kohm 1/10W 5% B
R1060	RCPB-B103J-21C	RESISTOR-CHIP C/FILM 10Kohm 1/10W 5% B
R1061	RCPB-B103J-21C	RESISTOR-CHIP C/FILM 10Kohm 1/10W 5% B
R1062	RCPB-B103J-21C	RESISTOR-CHIP C/FILM 10Kohm 1/10W 5% B
R1063	RCPB-B103J-21C	RESISTOR-CHIP C/FILM 10Kohm 1/10W 5% B
R1064	RCPB-B103J-21C	RESISTOR-CHIP C/FILM 10Kohm 1/10W 5% B
R1067	RCPB-B103J-21C	RESISTOR-CHIP C/FILM 10Kohm 1/10W 5% B
R1066	RCPB-B472J-21C	RESISTOR-CHIP C/FILM 4.7Kohm 1/10W 5% B
R1068	RCPB-B681J-21C	RESISTOR-CHIP C/FILM 680ohm 1/10W 5% B
R1069	RCPB-B103J-21C	RESISTOR-CHIP C/FILM 10Kohm 1/10W 5% B
R1070	RCPB-B472J-21C	RESISTOR-CHIP C/FILM 4.7Kohm 1/10W 5% B
R1071	RCPB-B103J-21C	RESISTOR-CHIP C/FILM 10Kohm 1/10W 5% B
R1072	RCPB-B221J-21C	RESISTOR-CHIP C/FILM 220ohm 1/10W 5% B
R1073	RCPB-B470J-21C	RESISTOR-CHIP C/FILM 47ohm 1/10W 5% B
R1074	RCPB-B681J-21C	RESISTOR-CHIP C/FILM 680ohm 1/10W 5% B
R1075	RCPB-B103J-21C	RESISTOR-CHIP C/FILM 10Kohm 1/10W 5% B
R1076	RCPB-B103J-21C	RESISTOR-CHIP C/FILM 10Kohm 1/10W 5% B
R1077	RCPB-B103J-21C	RESISTOR-CHIP C/FILM 10Kohm 1/10W 5% B
R1078	RCPB-B103J-21C	RESISTOR-CHIP C/FILM 10Kohm 1/10W 5% B
R1079	RCPB-B103J-21C	RESISTOR-CHIP C/FILM 10Kohm 1/10W 5% B
R1080	RCPB-B103J-21C	RESISTOR-CHIP C/FILM 10Kohm 1/10W 5% B
R1081	RCPB-B103J-21C	RESISTOR-CHIP C/FILM 10Kohm 1/10W 5% B
R1082	RCPB-B103J-21C	RESISTOR-CHIP C/FILM 10Kohm 1/10W 5% B
R1083	RCPB-B561J-21C	RESISTOR-CHIP C/FILM 560ohm 1/10W 5% B
R1084	RCPB-B561J-21C	RESISTOR-CHIP C/FILM 560ohm 1/10W 5% B
R1085	RCPB-B561J-21C	RESISTOR-CHIP C/FILM 560ohm 1/10W 5% B

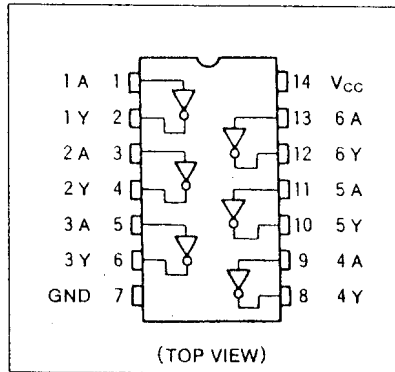
I1004 : HD74HC74 Dual positive-edge triggered D F/F



I1001 : 74HCU04



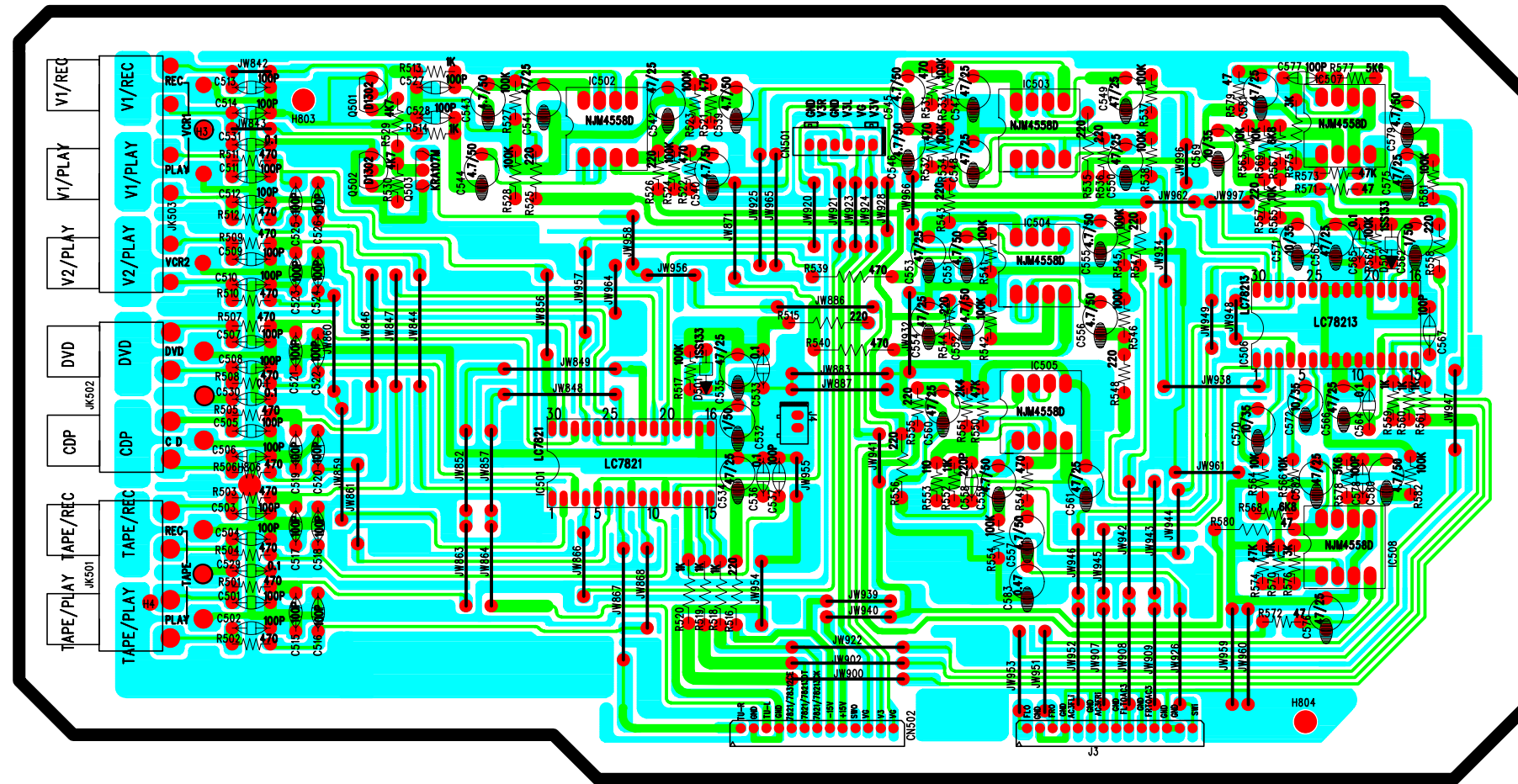
PIN ASSIGNMENT



P.C.BOARD
INPUT

AVR100 / AVR200

INPUT PC .BOARD



CLICK HERE TO **DOWNLOAD** THE COMPLETE MANUAL

- Thank you very much for reading the preview of the manual.
- You can download the complete manual from: www.heydownloads.com by clicking the link below



- Please note: If there is no response to CLICKING the link, please download this PDF first and then click on it.

CLICK HERE TO **DOWNLOAD** THE COMPLETE MANUAL