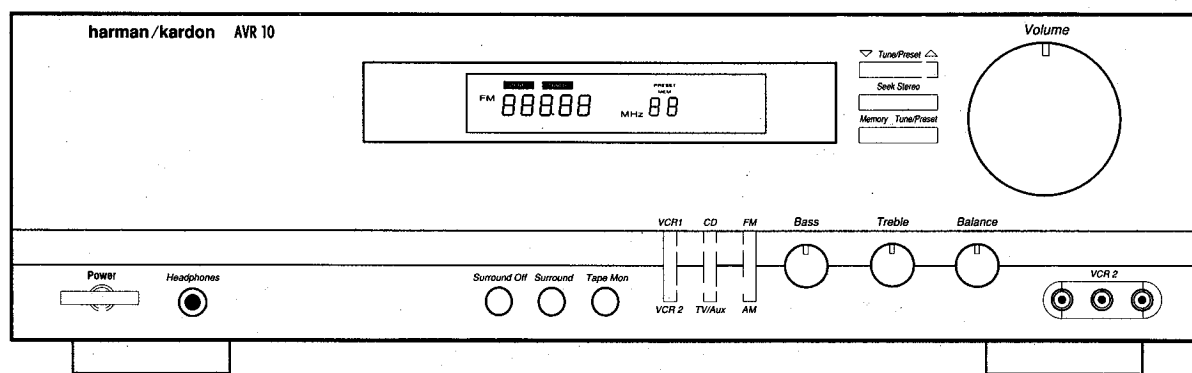


The Harman Kardon Model AVR10 AUDIO AND VIDEO RECEIVER

Manual A

Technical Manual



■ CONTENTS ■

SPECIFICATIONS	2	GENERAL UNIT	27
LEAKAGE TEST	4	PRINTED CIRCUIT BOARDS	29
CONTROLS AND FUNCTIONS	5	ELECTRICAL PARTS LIST	35
BLOCK DIAGRAM	7	SEMICONDUCTOR LEAD IDENTIFICATION & INTERNAL DIAGRAM	42
DISASSEMBLY PROCEDURES	9	TRANSISTOR LEAD IDENTIFICATION	47
CIRCUIT DESCRIPTION	12	PACKAGE	48
ALIGNMENT PROCEDURES	20	WIRING DIAGRAM	49
TROUBLESHOOTING	23	SCHEMATIC DIAGRAMS (I, II, III, IV)	50
GENERAL UNIT PARTS LIST	26		

harman/kardon

Parts and Service Office
80 Crossways Park West, Woodbury, N.Y. 11797
1112-AVR10A G9603 1200 Printed in Korea

CLICK HERE TO **DOWNLOAD** THE COMPLETE MANUAL

- Thank you very much for reading the preview of the manual.
- You can download the complete manual from: www.heydownloads.com by clicking the link below



- Please note: If there is no response to CLICKING the link, please download this PDF first and then click on it.

CLICK HERE TO **DOWNLOAD** THE COMPLETE MANUAL

7 Head Phone P.C.Board Removal (Figure 4)

1. Remove the panel front assembly (Refer to step 3)
2. Remove a screw 9 from the head phone jack.
3. Remove 2 screws (10 and 11) from the power switch to release the Headphone P.C.Board.

8 Power Led P.C.Board Removal (Figure 4)

1. Remove the panel front assembly (Refer to step 3)
2. Remove the headphone PC Board (Refer to step 7)
3. Remove 2 screws (12 and 13) from the Power LED P.C.Board to release the P.C.Board.

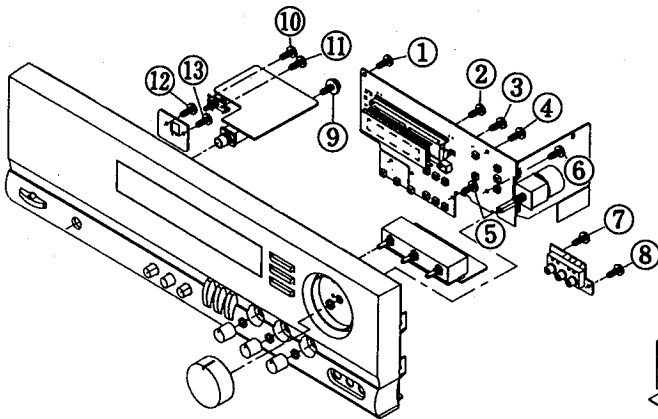


Figure 4

9 Tuner P.C.Board Removal (Figure 5)

1. Remove the cover top (Refer to step 1)
2. Remove a screw 1 from the Tuner P.C.Board bracket.
3. Remove 2 screws (2 and 3) from the chassis back.
4. Disconnect CNT106 from the Main P.C.Board to release the Tuner P.C.Board.

10 Surround P.C.Board Removal (Figure 5)

1. Remove the cover top (Refer to step 1)
2. Remove 2 screws (4 and 5) from the chassis back.
3. Disconnect CNT108 and CNT109 from the Main P.C.Board to release the Surround P.C.Board.

11 Video P.C.Board Removal (Figure 5)

1. Remove the cover top (Refer to step 1)
2. Remove 2 screws (6 and 7) from the chassis back.
3. Disconnect CNT112 from the Main P.C.Board to release the Video P.C.Board.

12 Center Speaker P.C.Board Removal (Figure 5)

1. Remove the cover top (Refer to step 1).
2. Remove a screws (8 and 9) from the chassis back.
3. Disconnect CNT117-1 from the Center speaker P.C.Board.

13 Surround/Surround Amp/Rear Speaker P.C.Board Removal (Figure 5)

1. Remove the cover top (Refer to step 1)
2. Remove 2 screws (10 and 11) from the chassis back.
3. Remove 2 screws (12 and 13) from the Surround P.C.Board.
4. Unsolder all leads of Q414, Q410, Q413, Q427, Q424, Q428 in the Surround PC Board.
5. Disconnect CNT110 from the Main P.C.Board to release the surround/surround amp/rear Speaker P.C.Board.

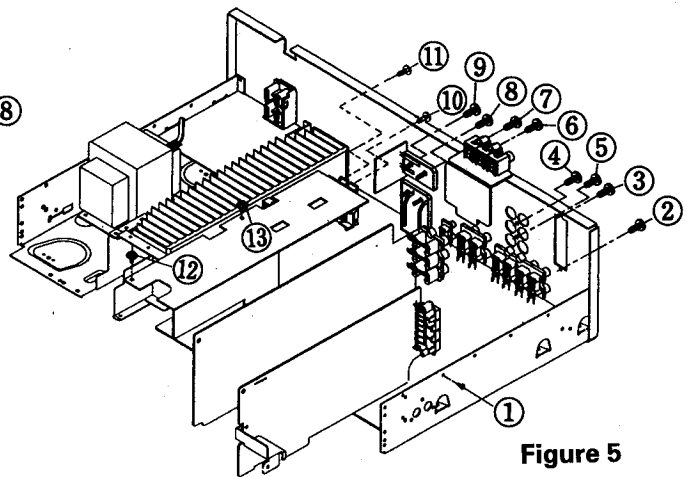


Figure 5

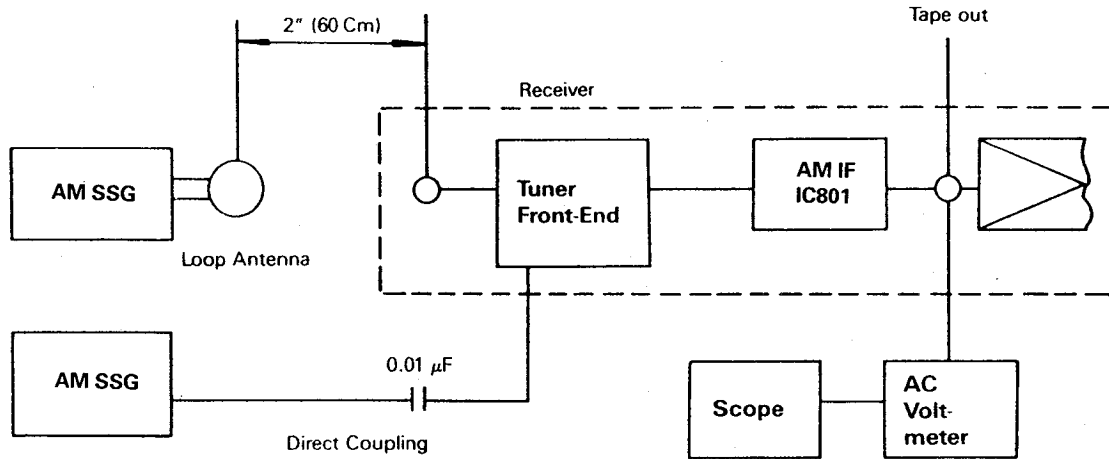
14 Outlet P.C.Board Removal (Figure 6)

1. Remove the cover top (Refer to step 1).
2. Remove a screws (1 and 2) from the chassis back.
3. Disconnect CNT 101-1, CNT 122 from the Outlet P.C.Board.
4. Remove 3 screws (3 to 5) from the Outlet P.C.Board.

15 Main P.C.Board Removal (Figure 6)

1. Remove the cover top (Refer to step 1)
2. Remove the panel front assembly (Refer to step 3)
3. Do steps 9, 10, 11, 12, 13.
4. Remove 5 screws (6 and 10) from the chassis back.
5. Remove 4 screws (11 and 14) from the Main P.C.Board top.

4	450 kHz (400 Hz, Mod.)	Place at a noninterference spot around 600 kHz	AC voltmeter to TAPE OUT jack.	T805 (IFT)	Maximum reading
5	999 kHz (400 Hz, Mod.)	999 kHz	Same as Step 1.	VR801	FL display 'TUNED' Indication on receiver with AM SSG Output level of 800 μ V/m



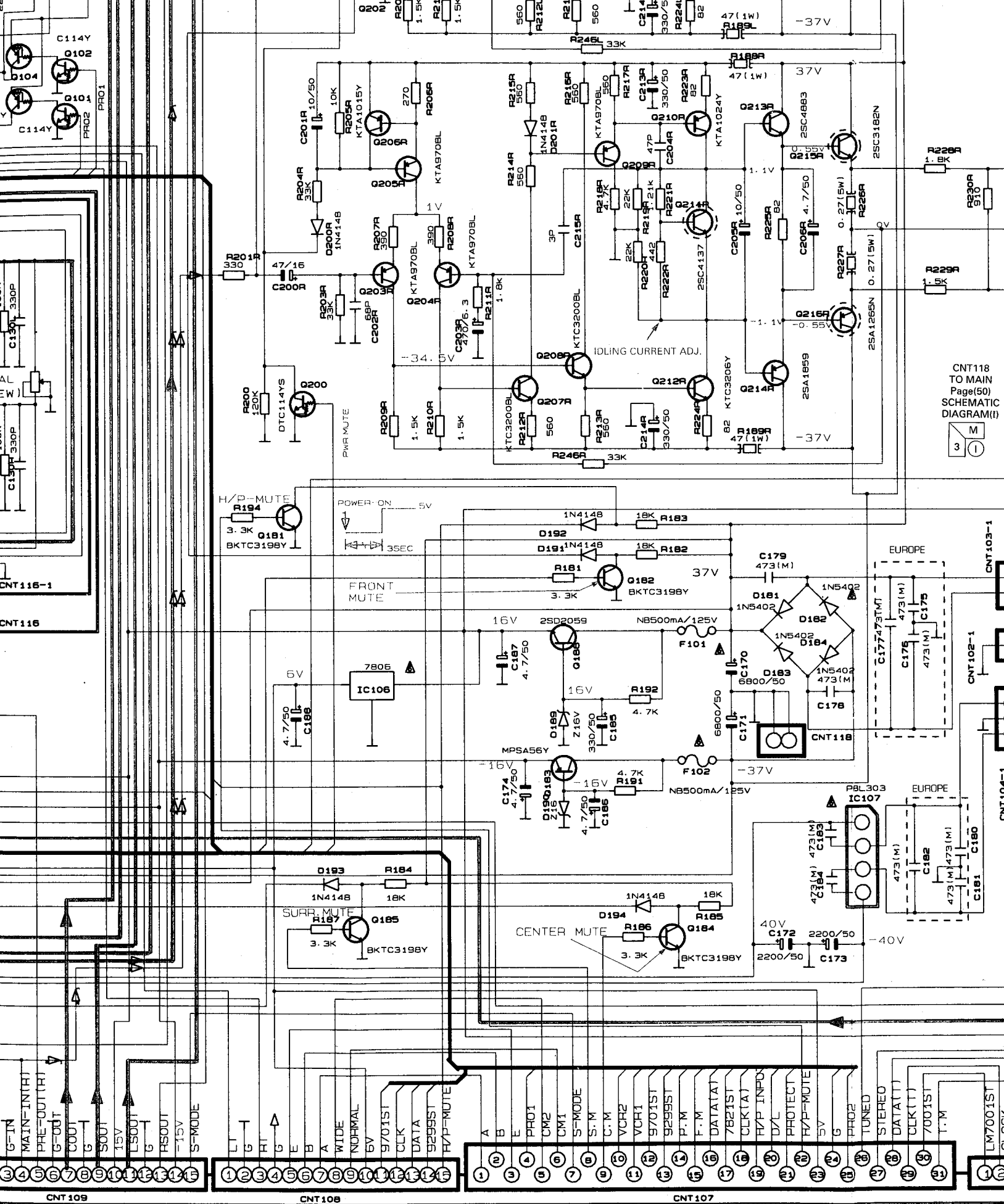
AM Alignment Connection

4. FM IF Alignment

Preparation

1. Signal Generator output should be no higher than necessary to obtain an optimum output reading.
2. Switch Press to FM.
3. Signal generator deviation : 40 kHz.

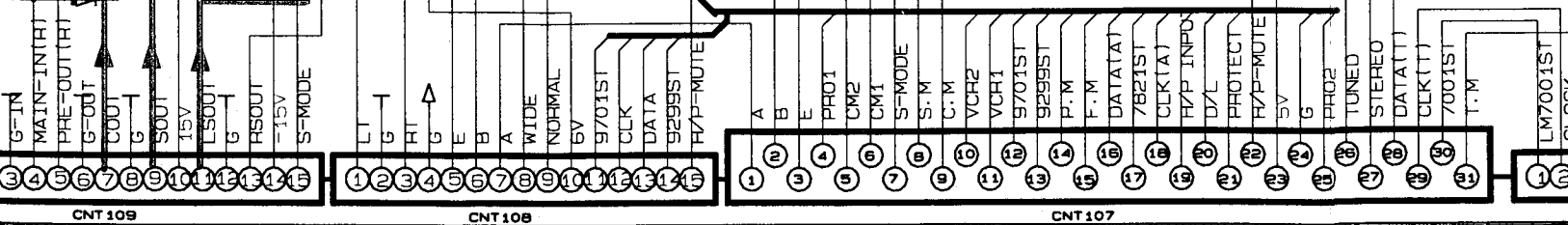
Step	Signal Generator Frequency	Receiver Frequency Display	Equipment Connection	Adjustment Point	Adjust for
1	98.0 MHz (1 kHz, Mod.)	98.0 MHz	Distortion meter to TAPE OUT jack	T804	Minimum distortion
2	98.0 MHz (1 kHz, Mod.)	98.0 MHz	Same as Step 1	VR802	FL display 'TUNED' Indication on receiver with FM SSG output level of 10 μ V/m
3	98.0 MHz (1 kHz, Mod.)	98.0 MHz	DC Volt meter to R809 (PCB14)	T803	Zero reading on DC volt meter.



CNT118
TO MAIN
Page(50)
SCHEMATIC(DI)



M
3



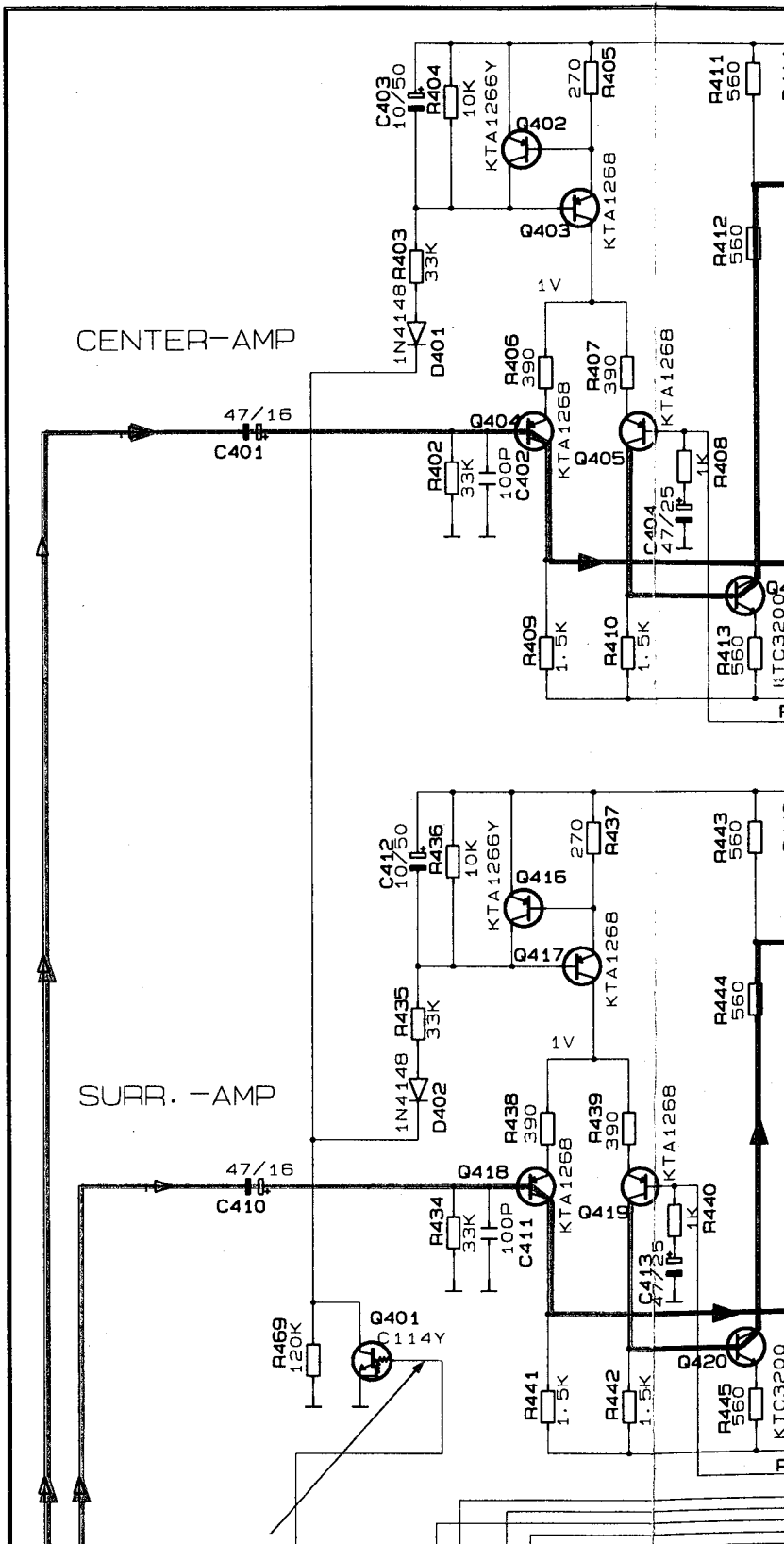
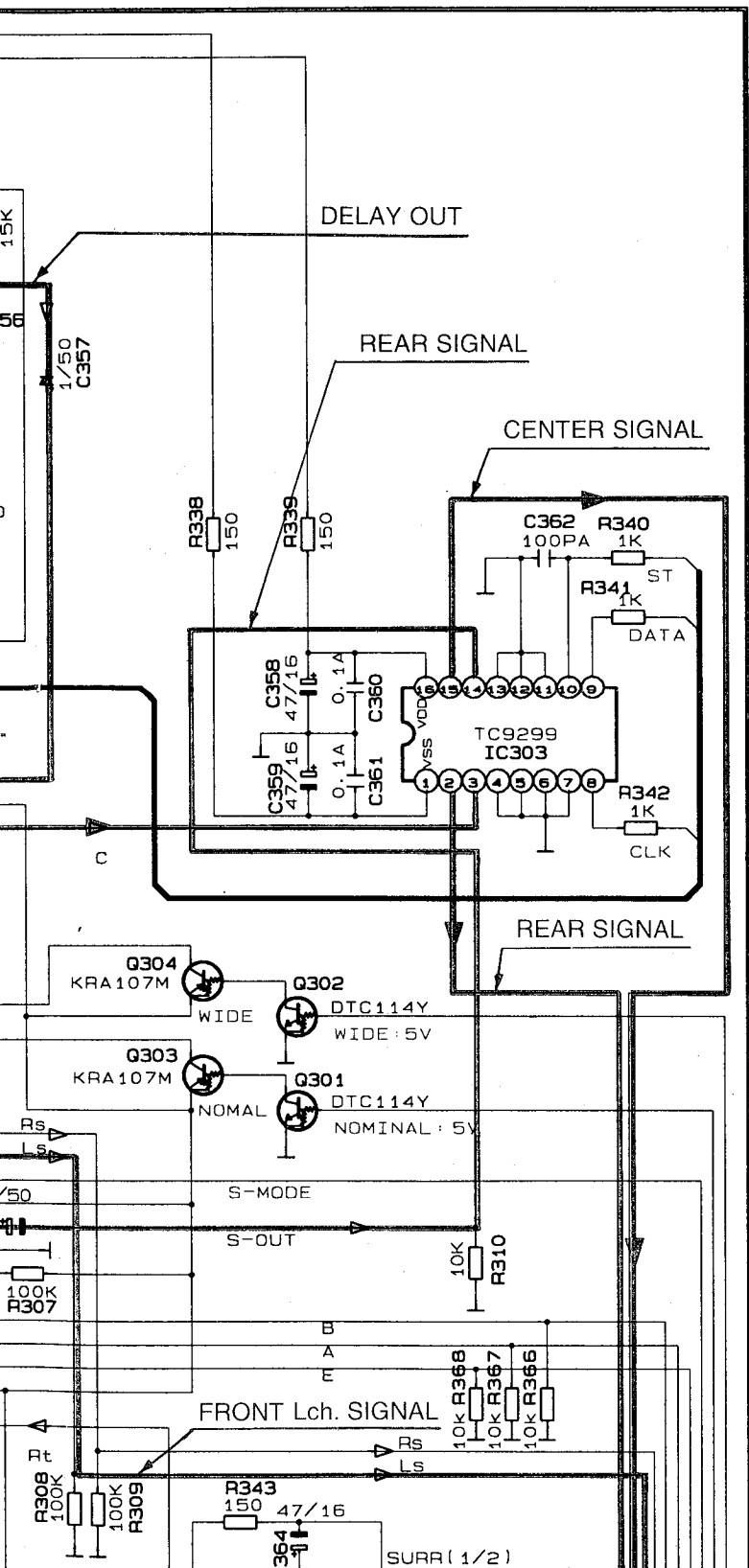
CNT109

CNT108

CNT107

E F G H I

PCB



CLICK HERE TO **DOWNLOAD** THE COMPLETE MANUAL

- Thank you very much for reading the preview of the manual.
- You can download the complete manual from: www.heydownloads.com by clicking the link below



- Please note: If there is no response to CLICKING the link, please download this PDF first and then click on it.

CLICK HERE TO **DOWNLOAD** THE COMPLETE MANUAL