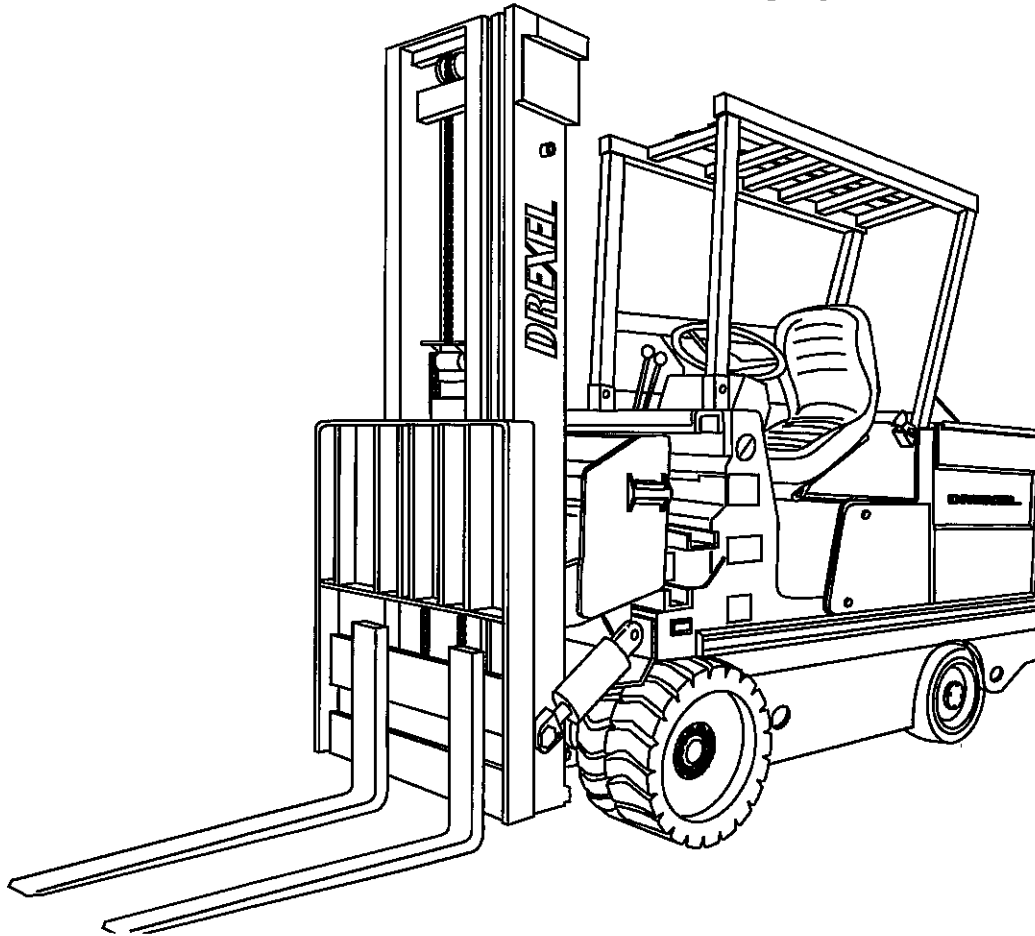


# SwingMast® Lift Truck Model SL44/3

## TECHNICAL MANUAL for

Truck Order No. \_\_\_\_\_

**This technical manual contains information pertinent to the safety of the operator. Read it thoroughly.**



Drexel Industries, Inc.  
P.O. Box 248  
331 Maple Avenue  
Horsham, PA 19044

(215) 672-2200  
April, 1998

CLICK HERE TO **DOWNLOAD** THE COMPLETE MANUAL

- Thank you very much for reading the preview of the manual.
- You can download the complete manual from: [www.heydownloads.com](http://www.heydownloads.com) by clicking the link below



- Please note: If there is no response to CLICKING the link, please download this PDF first and then click on it.

CLICK HERE TO **DOWNLOAD** THE COMPLETE MANUAL

# ILLUSTRATED PARTS BREAKDOWN

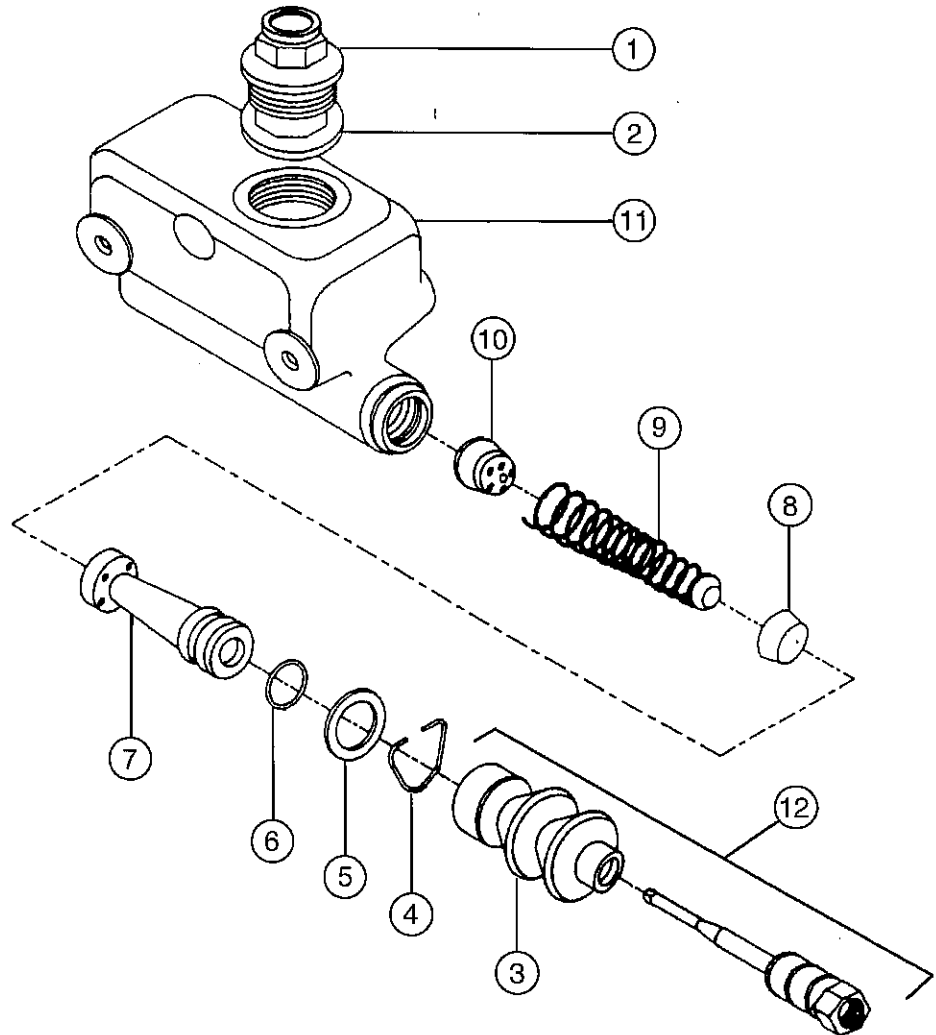
This Page Left Blank on Purpose

# ILLUSTRATED PARTS BREAKDOWN

## CYLINDER, MASTER, 3/4 BORE 1-1/4 STROKE, PART NO. 20210-A

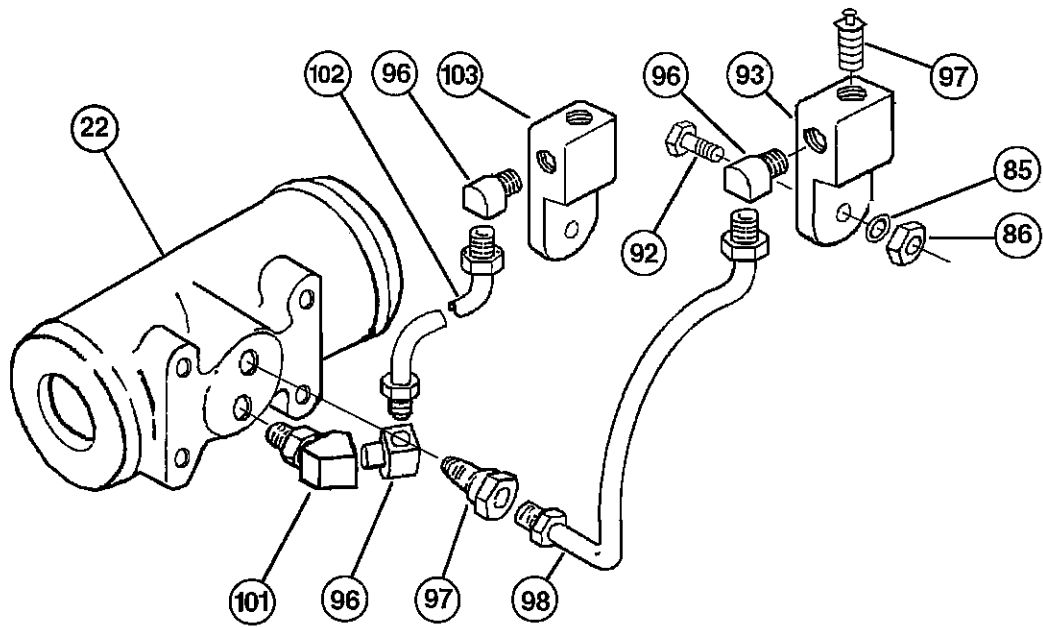
Item	Part No.	Qty	Description
1	20222	1	Cap, Low Profile
2	20212	1	Gasket, Fill Cap
3	20213	*1	Boot 1-1/4
4	20214	*1	Lockwire, Stop Plate
5	20215	*1	Plate, Piston Stop
6	20216	1	O-Ring
7	20217	1	Piston Assembly
8	20218	*1	Primary Piston Cup
9	20219	1	Spring Assembly
10	20220	*1	Valve & Seat Assembly
11	20221	1	Casting
12	1412454	1	Boot & Pushrod
13	20223	1	Kit

\* Part of Kit, item 13



# ILLUSTRATED PARTS BREAKDOWN

## AXLE, DRIVE WITH KNOTT BRAKE, PART NO. 17133-S (Continued)



# ILLUSTRATED PARTS BREAKDOWN

This Page Left Blank on Purpose

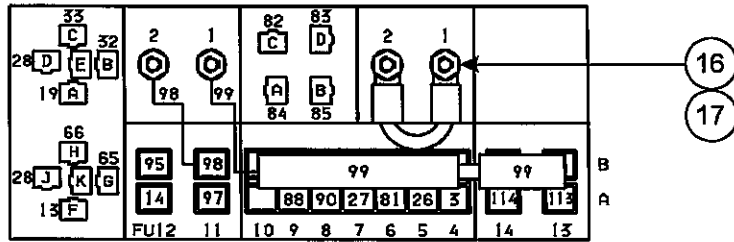
# ILLUSTRATED PARTS BREAKDOWN

This Page Left Blank on Purpose

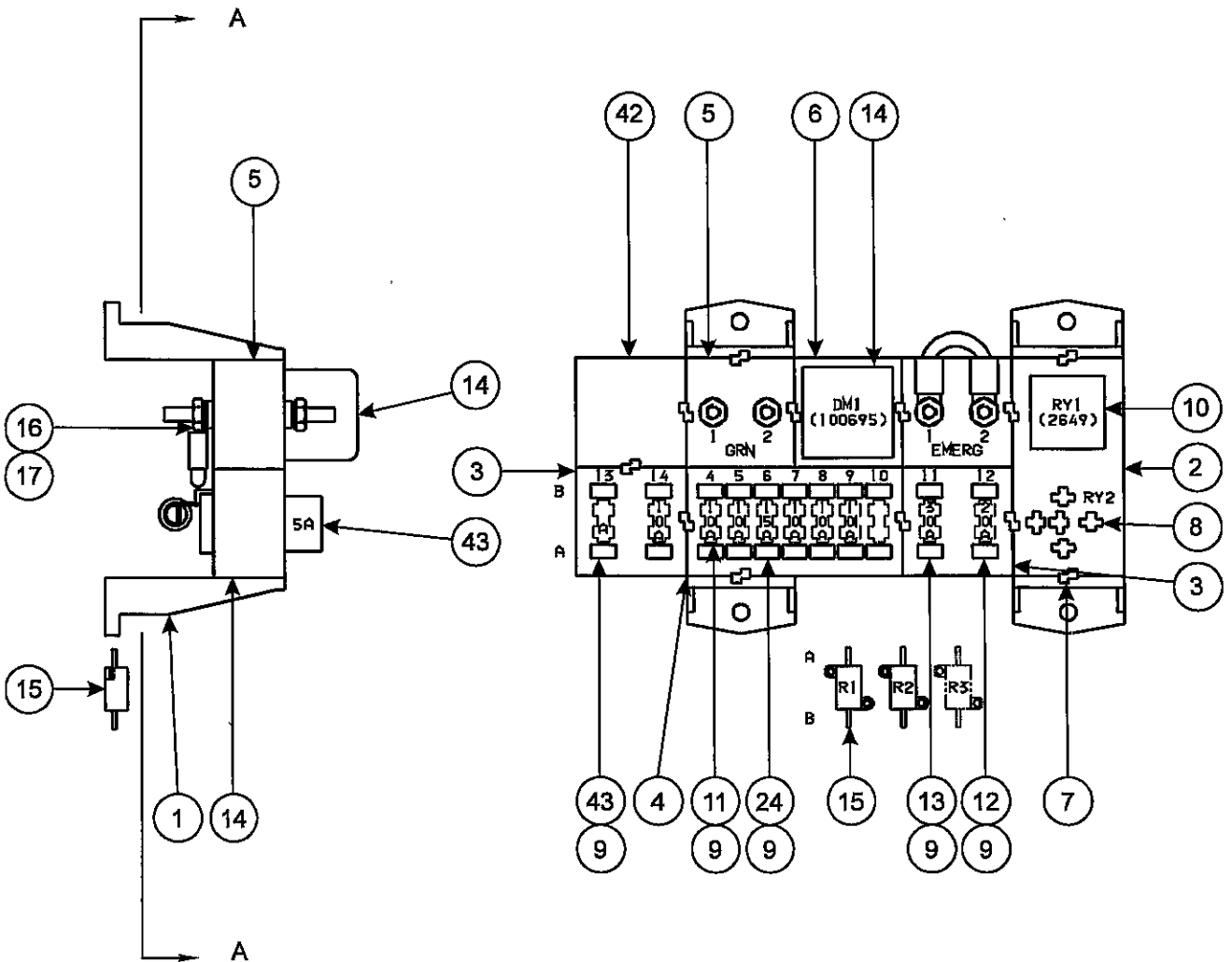
# ILLUSTRATED PARTS BREAKDOWN

## FUSE PANEL SUB ASSY, PART NO. 1412707-A

WIRE HARNESS NOT SHOWN

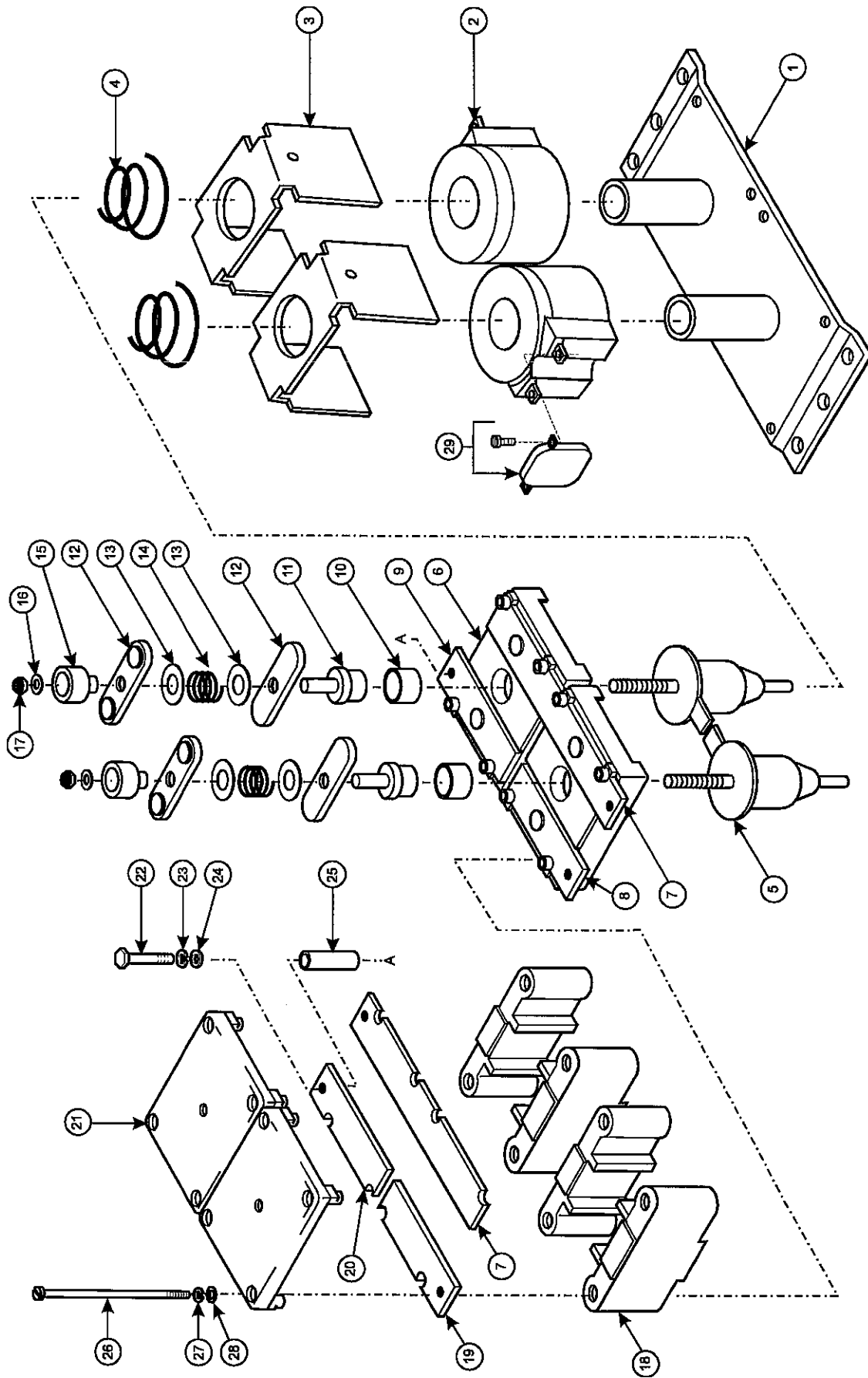


VIEW "A-A"



# ILLUSTRATED PARTS BREAKDOWN

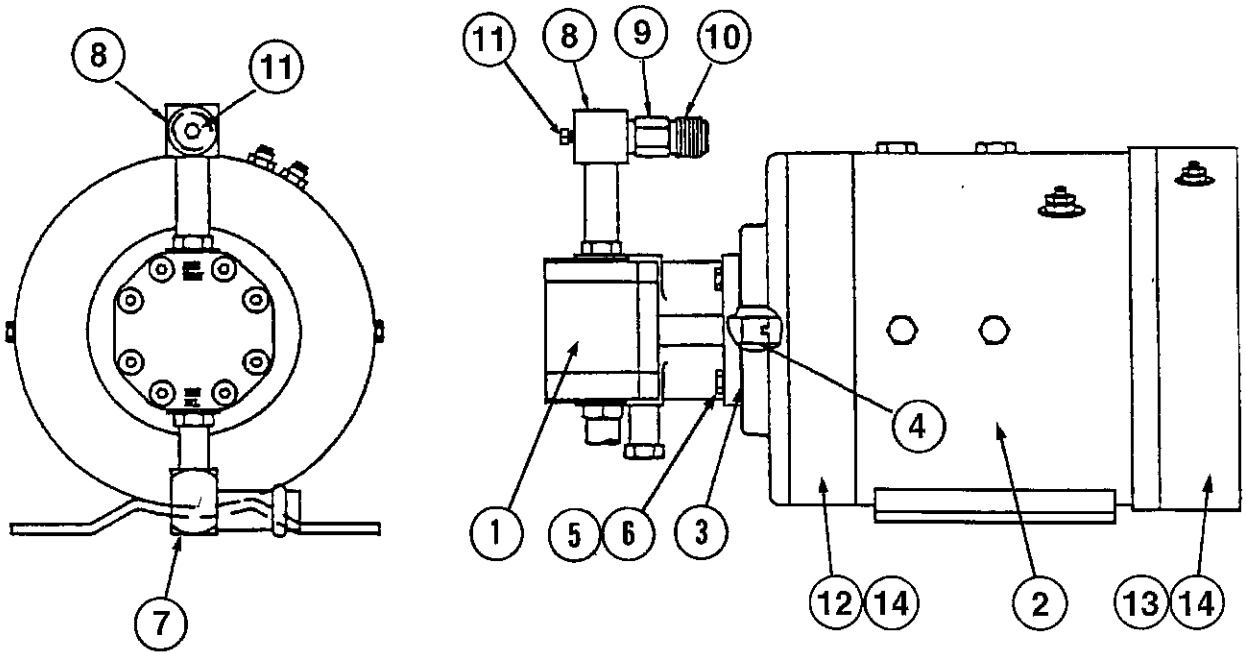
## CONTACTOR, DPDT, 300A, 36VDC COIL, PART NO. 28888-D



# ILLUSTRATED PARTS BREAKDOWN

## STEER PUMP & MOTOR ASSY 36V, w/o THERMOSTAT, PART NO. 50661-06-D

Item	Part No.	Qty	Description
1	50654	1	Pump, Power Steering
2	50656	1	Motor, Power Steer., 36 V
3	50657	1	Gasket
4	50655	1	Coupling
5	1C512ER	4	Screw, Hex Hd Gr 5 .312-18 X .750
6	4B5E	4	Washer Lock .312
7	1400556	1	Hose Nipple 90° Elbow Ex Lg .875-14 O-To .75 Id
8	11857	1	Elbow, Pressure Mod.
9-10	Not Used		
11	40K2	1	Plug, Pipe 1/8-27 NPT Hex Head
12-14	Not Used		



# ILLUSTRATED PARTS BREAKDOWN

This Page Left Blank on Purpose

CLICK HERE TO **DOWNLOAD** THE COMPLETE MANUAL

- Thank you very much for reading the preview of the manual.
- You can download the complete manual from: [www.heydownloads.com](http://www.heydownloads.com) by clicking the link below



- Please note: If there is no response to CLICKING the link, please download this PDF first and then click on it.

CLICK HERE TO **DOWNLOAD** THE COMPLETE MANUAL