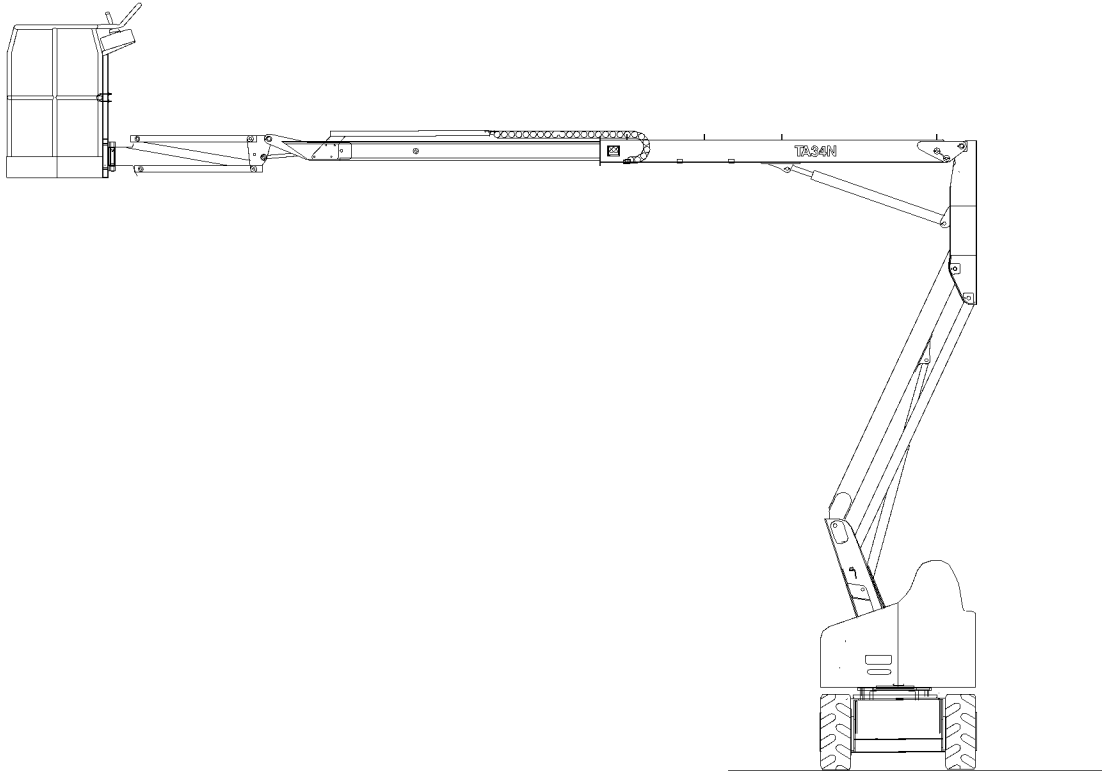


**ARTICULATED BOOM LIFT
MODEL TA34N**



SPARE PARTS MANUAL

P/No: 65002-0014 Rev.4 07/01

CLICK HERE TO **DOWNLOAD** THE COMPLETE MANUAL

- Thank you very much for reading the preview of the manual.
- You can download the complete manual from: www.heydownloads.com by clicking the link below



- Please note: If there is no response to CLICKING the link, please download this PDF first and then click on it.

CLICK HERE TO **DOWNLOAD** THE COMPLETE MANUAL

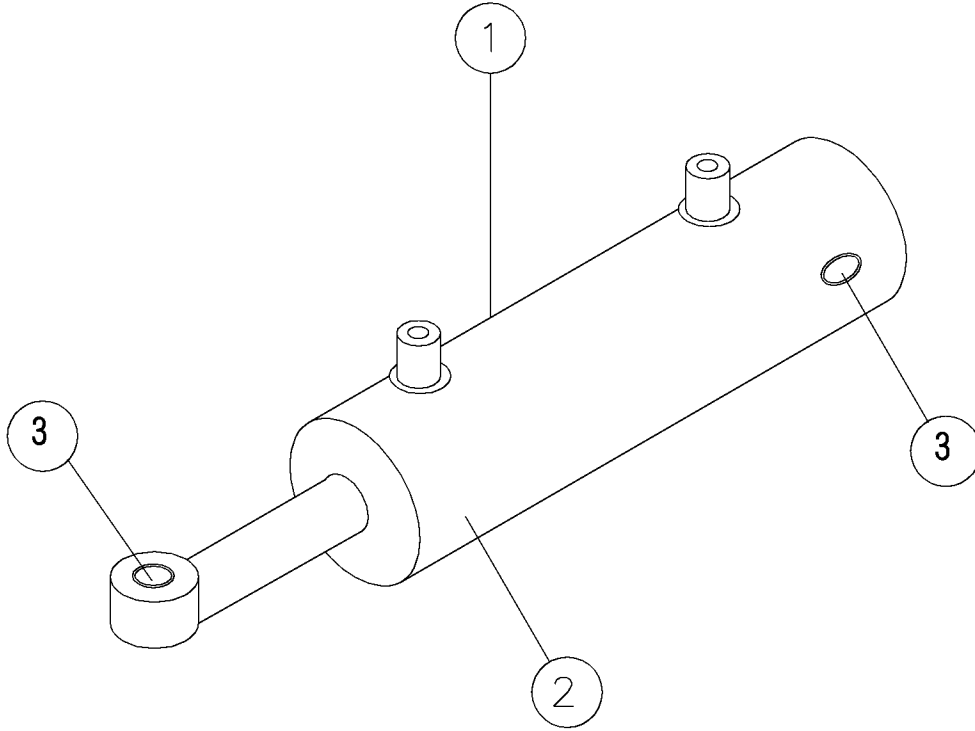
MAIN ASSEMBLY

LABEL POSITIONS

| ITEM | PART NO. | DESCRIPTION | QTY. | REMARKS |
|------|----------------|--|------|-------------|
| 1 | 47011-0565 | UPPER CONTROL PLATE LEGEND DECAL | 1 | |
| 2 | 47011-0575 | LOWER CONTROL PLATE LEGEND | 1 | |
| 15 | 10287500 | STRIPE RED 5" DECAL | 1 | |
| 10 | 44041-0006 | WARNING STRIP DECAL | 4 | |
| | F005329 | BILL OF MATERIALS FOR TA34N | | |
| 3 | 10285036 | "TA34N" DECAL | 2 | |
| 4 | 37003-0039 | SERIAL NUMBER PLATE DECAL | 1 | |
| 5 | 47011-0154 | KEEP HANDS FREE DECAL | 8 | |
| 6 | A582 | HOOK MOTIF DECAL | 4 | |
| 7 | 47011-0153 | DIRECTIONAL ARROWS | 2 | |
| 8 | 47011-0426 | "CE" MARK DECAL | 1 | Not for USA |
| 11 | 10288205 | CROWN RED 3.12" DECAL | 2 | |
| 12 | 10288203 | CROWN RED 6" DECAL | 1 | |
| 13 | 10287400 | CHEVRON RIGHT HAND DECAL | 1 | |
| 14 | 10287300 | CHEVRON LEFT HAND DECAL | 1 | |
| | | BILL OF MATERIALS FOR SWEDEN | | |
| 16 | 47008-0081 | 10 POINT DECAL | 1 | |
| 17 | 47008-0111 | EMERGENCY TOWING | 1 | |
| 19 | 47008-0109 | EMERGENCY LOWERING | 1 | |
| 18 | 47008-0090 | S.W.L. DECAL | 1 | |
| | | BILL OF MATERIALS FOR SPAIN | | |
| 16 | 47099-0005 | 10 POINT DECAL | 1 | |
| 17 | 47099-0033 | EMERGENCY TOWING | 1 | |
| 19 | 47099-0031 | EMERGENCY LOWERING | 1 | |
| 18 | 47099-0027 | S.W.L. DECAL | 1 | |
| | F005273 | BILL OF MATERIALS FOR GERMANY/AUSTRIA | | |
| 16 | 47012-0070 | 10 POINT DECAL | 1 | |
| 17 | 47012-0528 | EMERGENCY TOWING | 1 | |
| 19 | 47012-0526 | EMERGENCY LOWERING | 1 | |
| 18 | 47012-0059 | S.W.L. DECAL | 1 | |
| | F005219 | BILL OF MATERIALS IRELAND / UK | | |
| 16 | 47003-0102 | 10 POINT DECAL | 1 | |

BASE ASSEMBLY

STEER CYLINDER - P/N: 21002-0137



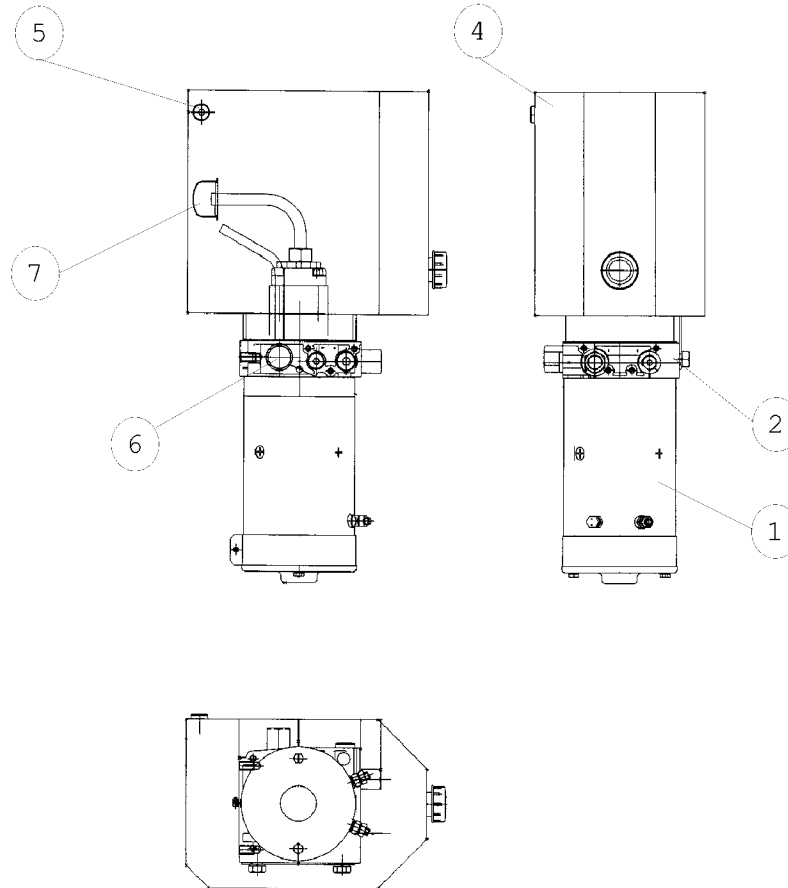
| ITEM | PART NO | DESCRIPTION | QTY | REMARKS |
|------|------------|-----------------|-----|---------|
| 1 | 21002-0137 | STEER CYLINDER | 1 | |
| 2 | 41034-0090 | SEAL KIT | 1 | |
| 3 | 44031-0046 | BEARING 20 x 15 | 3 | |

BASE ASSEMBLY**WHEEL DRIVE UNIT - P/N: 24022-0008****From Serial No: 16561**

| ITEM | PART NO | DESCRIPTION | QTY | REMARKS |
|------|-------------|------------------|-----|------------------------|
| 2 | 38127614200 | SPINDLE | 1 | |
| 5 | 38222710000 | HUB | 1 | |
| 8 | 327A3630000 | SUN PINION | 1 | |
| 12 | 32508340300 | PLANET GEAR | 3 | |
| 15 | 31508740300 | PLANET SHAFT | 3 | |
| 16 | 36307646300 | SPACER | 3 | |
| 17 | 36116146100 | THRUST WASHER | 1 | |
| 18 | 42902000000 | THRUST WASHER | 12 | |
| 20 | 37002640000 | STUD | 5 | |
| 22 | 42702200000 | NEEDLE ROLLER | 150 | |
| 24 | 34027030000 | RING AND BEARING | 1 | |
| 26 | 42126500000 | BEARING | 1 | |
| 29 | 41235000000 | O-RING | 1 | |
| 32 | 43108800000 | CIRCLIP | 1 | |
| 35 | 43203100000 | CIRCLIP | 1 | |
| 38 | 46410800000 | SCREW | 1 | |
| 40 | 43201300100 | CIRCLIP | 1 | |
| 42 | 41701800100 | WASHER | 2 | |
| 44 | 45128300000 | PLUG | 2 | |
| 50 | 327A4230000 | SUN PINION | 1 | |
| 54 | 32551040000 | PLANET GEAR | 3 | Part of Kit 42023-0101 |
| 60 | 345D4820000 | PLANET CARRIER | 1 | Part of Kit 42023-0101 |
| 65 | 31500140100 | PLANET SHAFT | 3 | Part of Kit 42023-0101 |
| 70 | 42902100000 | THRUST WASHER | 6 | Part of Kit 42023-0101 |
| 71 | 43102100000 | CIRCLIP | 3 | Part of Kit 42023-0101 |
| 72 | 43103900000 | CIRCLIP | 1 | Part of Kit 42023-0101 |
| 73 | 42702200000 | NEEDLE ROLLER | 84 | Part of Kit 42023-0101 |
| 75 | 38914231800 | PISTON | 1 | |
| 76 | 36382045800 | SPACER | 1 | |
| 78 | 36712040000 | SPRING | 12 | |
| 79 | 34615210000 | INPUT FLANGE | 1 | |
| 80 | 38919940000 | END PLATE | 1 | |
| 81 | 39154830000 | COUPLING | 1 | |
| 82 | 38914430000 | BRONZE DISC | 6 | |
| 83 | 38914530000 | STEEL DISC | 7 | |
| 85 | 41217800000 | O-RING | 1 | |
| 86 | 41217700000 | O-RING | 1 | |
| 87 | 41216800000 | O-RING | 1 | |

TURRET ASSEMBLY

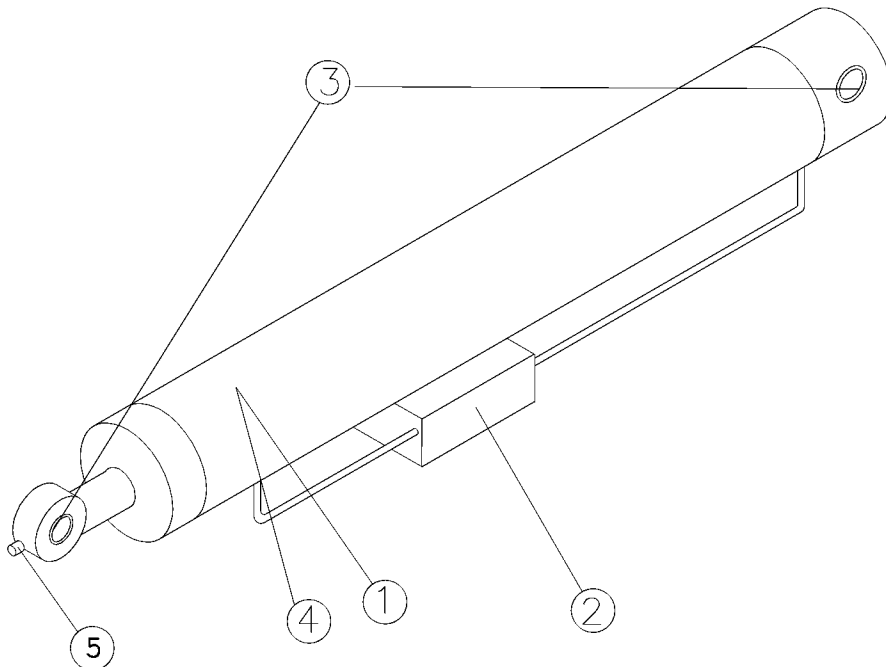
POWER PACK - P/N: 31001-0010



| ITEM | PART NO | DESCRIPTION | QTY | REMARKS |
|------|------------|--------------------|-----|-----------------|
| | 31001-0010 | POWERPACK ASSEMBLY | 1 | Complete |
| 1 | 41021-0190 | 3 kW MOTOR UNIT | 1 | |
| | 41021-0191 | BRUSH SET | 1 | Not Illustrated |
| | 41021-0197 | COUPLING | 1 | Not Illustrated |
| 2 | 41021-0195 | PUMP UNIT (2.1 CC) | 1 | |
| 3 | 41021-0198 | FILLER CAP | 1 | |
| 4 | 41021-0199 | 13 LITRE TANK | 1 | |
| | 41021-0200 | PUMP SEAL KIT | 1 | Not Illustrated |
| 5 | 41021-0201 | DRAIN VALVE | 1 | |
| 6 | 41006-0052 | RELIEF VALVE | 1 | Not Illustrated |
| 7 | 41021-0196 | SUCTION FILTER | 1 | Not Illustrated |

BOOM ASSEMBLY

MASTER LEVELLING CYLINDER - P/No: 21002-0134



| ITEM | PART NO | DESCRIPTION | QTY | REMARKS |
|------|------------|---------------------------|-----|---------|
| 1 | 21002-0134 | MASTER LEVELLING CYLINDER | 1 | |
| 2 | 41028-0028 | DOUBLE RELIEF VALVE | 2 | |
| 3 | 44031-0046 | BUSHING 20 x 15L | 4 | |
| 4 | 41034-0145 | SEAL KIT (CYLINDER) | 1 | |
| 5 | 44029-0022 | GREASE NIPPLE | 2 | |

CLICK HERE TO **DOWNLOAD** THE COMPLETE MANUAL

- Thank you very much for reading the preview of the manual.
- You can download the complete manual from: www.heydownloads.com by clicking the link below



- Please note: If there is no response to CLICKING the link, please download this PDF first and then click on it.

CLICK HERE TO **DOWNLOAD** THE COMPLETE MANUAL