

LS-106-1-00011 UPPER

PZ1000124-05 SYSTEM

ASSEMBLY

CLICK HERE TO **DOWNLOAD** THE COMPLETE MANUAL

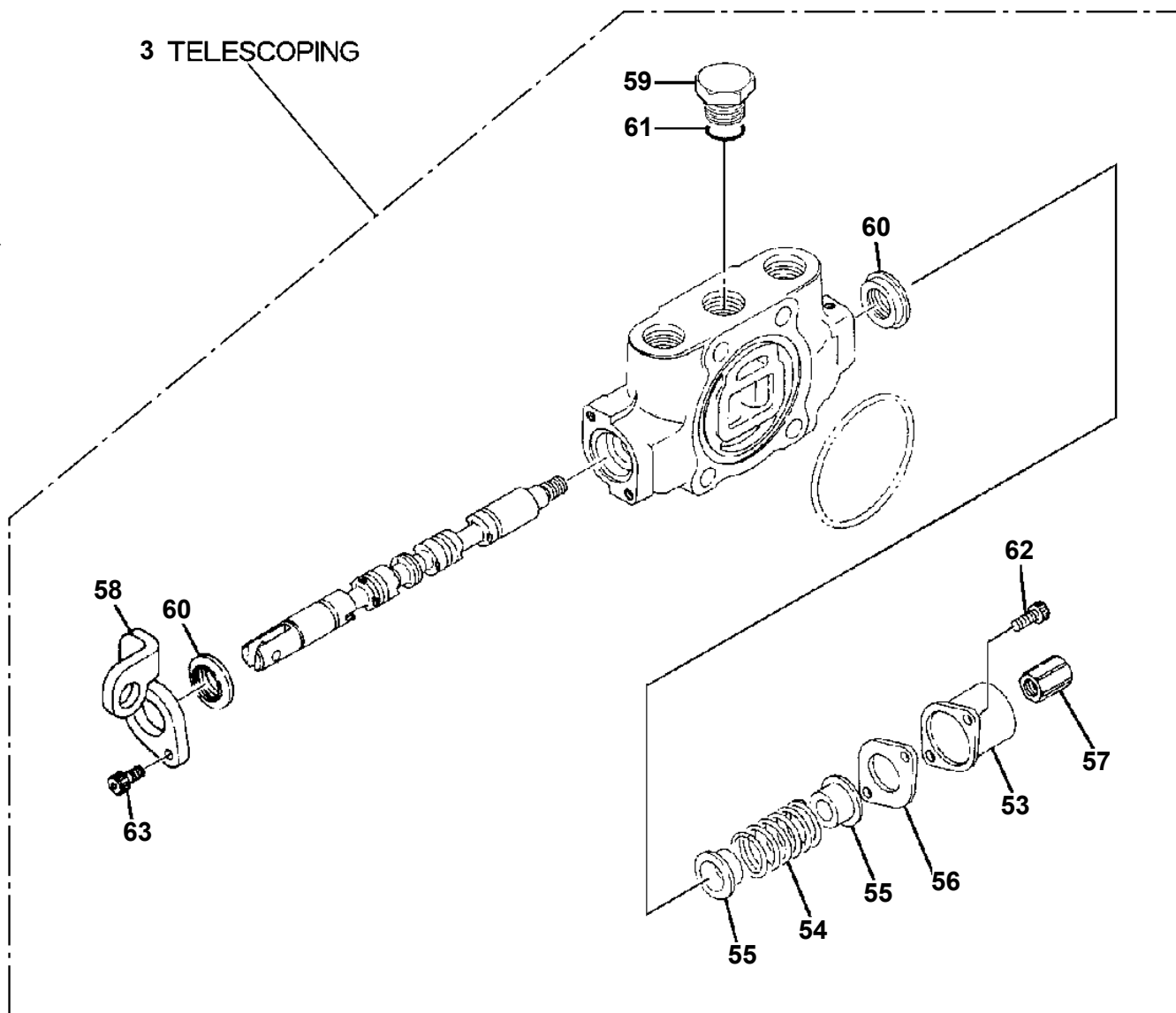
- Thank you very much for reading the preview of the manual.
- You can download the complete manual from: www.heydownloads.com by clicking the link below



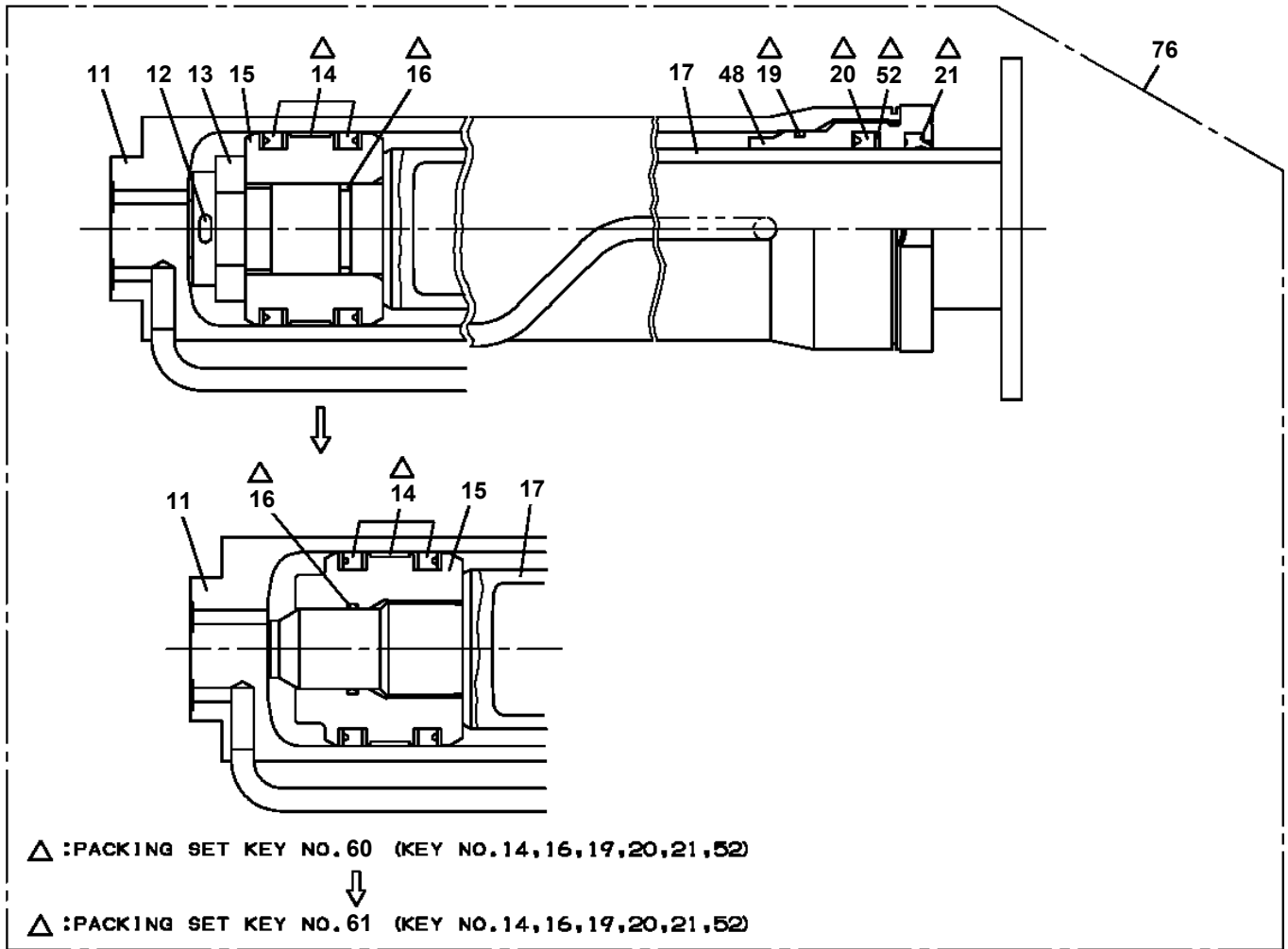
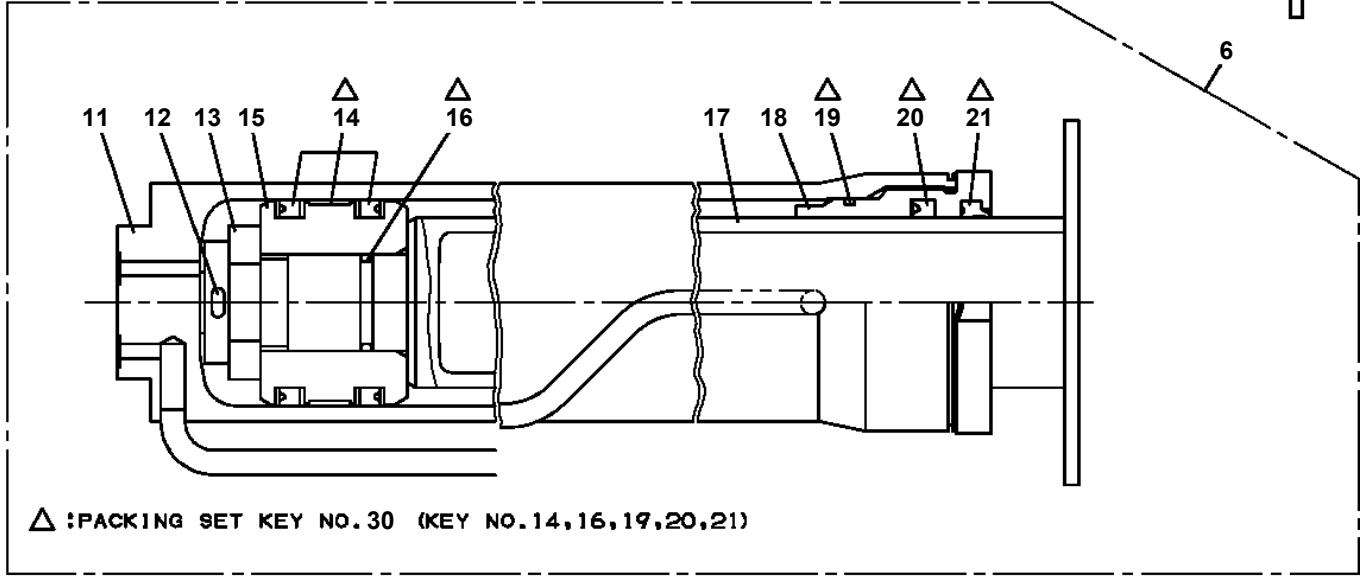
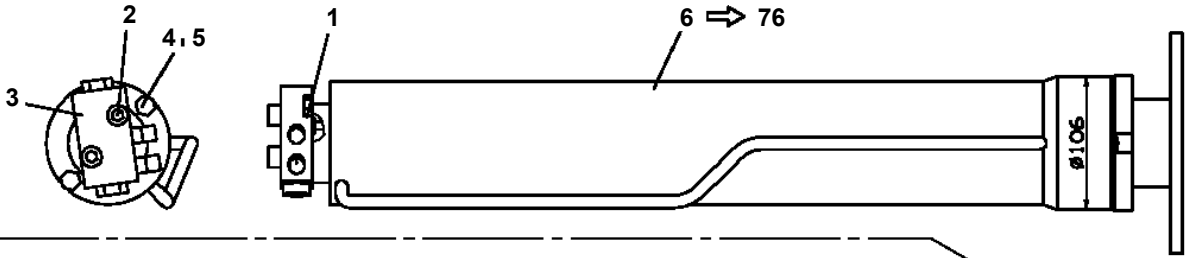
- Please note: If there is no response to CLICKING the link, please download this PDF first and then click on it.

CLICK HERE TO **DOWNLOAD** THE COMPLETE MANUAL

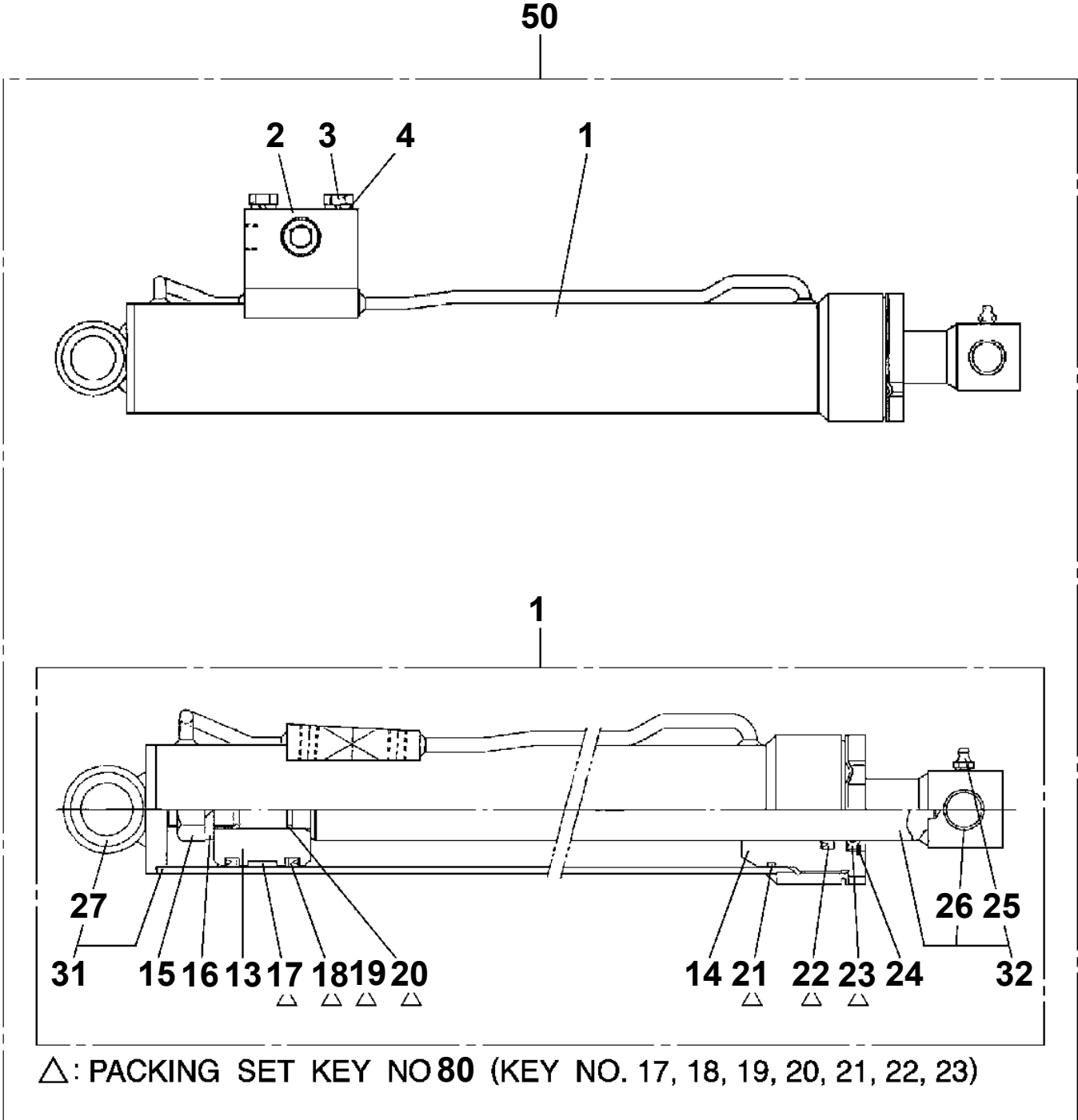
**LS-106-1-00011 UPPER
PB1320419-01 VALVE,MANUAL CONTROL (SANWA)**



**LS-106-1-00011 UPPER
PC1030042-07 CYLINDER,JACK (WITH FLOAT)**



**LS-106-1-00011 UPPER
PE1390003-01 CYLINDER,TILT**



Δ : PACKING SET KEY NO 80 (KEY NO. 17, 18, 19, 20, 21, 22, 23)

LS-106-1-00011 UPPER

Pos No.	Parts No	Parts Name	Qty	Unit	Technical Data	Serial No (Start)	Serial
100	42809301000	GENERATOR ASSY (DENYO DCA-13ESY/50HZ)	1				

LS-106-1-00011 UPPER

Pos No.	Parts No	Parts Name	Qty	Unit	Technical Data	Serial No (Start)	Serial No (End)	Remarks	Pa
2	91002801400	O-RING	2		1B P14				
6	91002800700	O-RING	1		1B P7				
20	36622340000	VALVE,PILOT CHECK	1						

LS-106-1-00011 UPPER

Pos No.	Parts No	Parts Name	Qty	Unit	Technical Data	Serial No (Start)	Serial No (End)	Remarks	Page
1	82101350112	SWITCH,PUSH	1						
2	82101350123	SWITCH,PUSH	1						
6	42892537620	SWITCH (SOLENOID)	1						
7	42892537511	BREAKER	6						
8	42892537520	LAMP,PILOT	1						
9	42892537630	HOLDER,FUSE	1						
10	42892537580	TERMINAL,BASE	1						
11	42892537590	TERMINAL,BASE	1						
12	42892537540	BUSH	3						
14	42892537610	TIMER	1						
20	42892535001	SWITCH PANEL	1						

LS-106-1-00011 UPPER

Pos No.	Parts No	Parts Name	Qty	Unit	Technical Data	Serial No (Start)	Serial
1	42809301000	GENERATOR ASSY (DENYO DCA-13ESY/50HZ)	1				
2	(*****)	MOUNT,GENERATOR	1				
3	(*****)	PLATE ASSY,NAME (GENERATOR)	1				
4	31476850200	COIL ASSY (50HZ)	6				

LS-106-1-00011 UPPER

Pos No.	Parts No	Parts Name	Qty	Unit	Technical Data	Serial No (Start)	Serial No (End)	Remarks	Pages
1	42804652101	SUPPORT	1						
2	90101218050	BOLT	4		M18X50				
3	90201201800	NUT	4		M18				
4	90203201800	NUT	4		M18				
5	90302041801	WASHER,SPRING	4		18				
6	90303071801	WASHER,PLAIN	8		18				
7	90201201200	NUT	4		M12				
8	90203201200	NUT	4		M12				
9	90302041201	WASHER,SPRING	4		12				
10	90303071201	WASHER,PLAIN	4		12				

CLICK HERE TO **DOWNLOAD** THE COMPLETE MANUAL

- Thank you very much for reading the preview of the manual.
- You can download the complete manual from: www.heydownloads.com by clicking the link below



- Please note: If there is no response to CLICKING the link, please download this PDF first and then click on it.

CLICK HERE TO **DOWNLOAD** THE COMPLETE MANUAL