

LS-106-1-20100 LOWER,MITSUBISHI U-FB308BTCV
PZ1000125-04 SYSTEM
ASSEMBLY

CLICK HERE TO **DOWNLOAD** THE COMPLETE MANUAL

- Thank you very much for reading the preview of the manual.
- You can download the complete manual from: www.heydownloads.com by clicking the link below



- Please note: If there is no response to CLICKING the link, please download this PDF first and then click on it.

CLICK HERE TO **DOWNLOAD** THE COMPLETE MANUAL

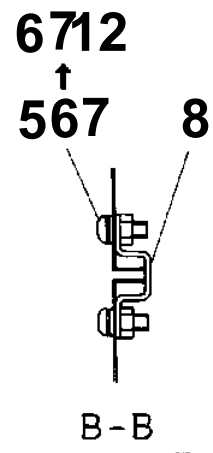
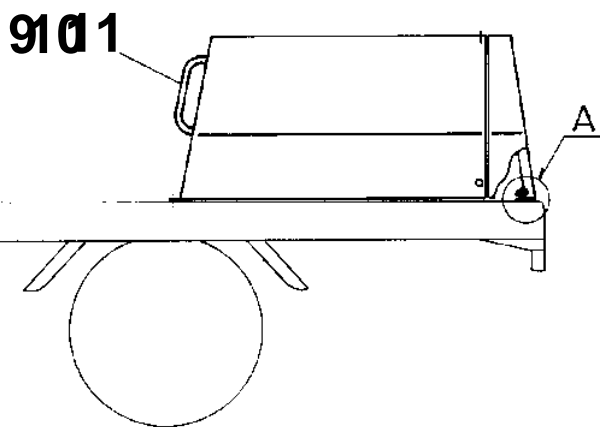
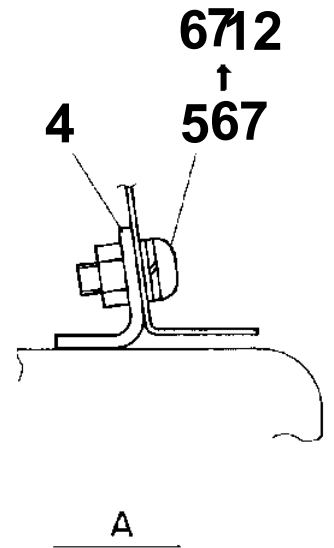
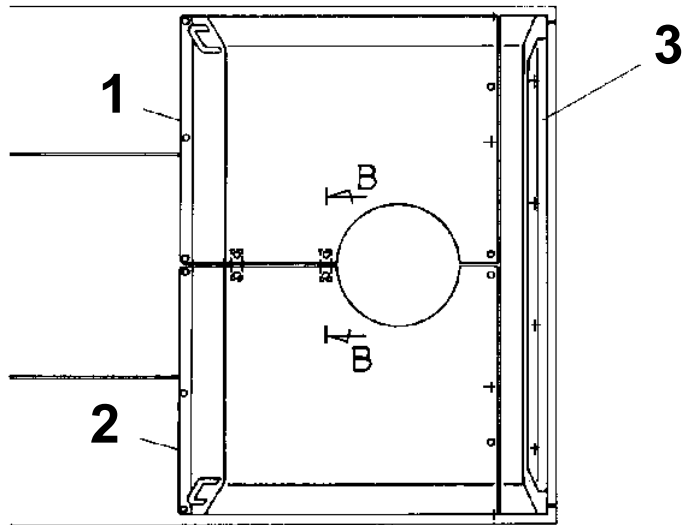
LS-106-1-20100 LOWER,MITSUBISHI U-FB308BTCV

Pos No.	Parts No	Parts Name	Qty	Unit	Technical Data	Serial No (Start)	Serial No (End)	Remarks	Pages
1	53063551010	SEAL,OIL	1						
10	36653055010	SEAL KIT	1						
30	36653260000	PUMP,HYDRAULIC	1						

LS-106-1-20100 LOWER,MITSUBISHI U-FB308BTCV

Pos No.	Parts No	Parts Name	Qty	Unit	Technical Data	Serial No (Start)	Serial No (End)	Remarks	Pages
1	16515122010	O-RING	1						
2	16515122020	SPRING	1						
4	80602110140	RING,RITAINING	1		R14				
5	16515122000	VALVE,CHECK	1						

LS-106-1-20100 LOWER, MITSUBISHI U-FB308BTCV
PK1210002-01 COVER, FRAME



LS-106-1-20100 LOWER,MITSUBISHI U-FB308BTCV

Pos No.	Parts No	Parts Name	Qty	Unit	Technical Data	Serial No (Start)	Serial No (End)	Remarks	Pages
1	42692560100	BUMPER	1						
2	42692560200	FENDER	1						
3	42692560300	FENDER	1						
4	42692560400	FENDER	1				ZB0084		
	42692560401	FENDER	1			ZB0085			
5	42692560500	FENDER	1						
6	42692560600	FENDER	1						
7	42692560700	FENDER	1						
8	42692560800	FENDER	1						
9	42692560900	GUARD	2						
10	42692561000	GUARD	2						
11	42692561100	GUARD	2						
12	90101210020	BOLT	42		M10X20				
	90101210020	BOLT	22		M10X20	ZB0103		ZB0102	
13	90303071001	WASHER,PLAIN	46		10				
14	90302041001	WASHER,SPRING	62		10				
15	90201201000	NUT	12		M10				
16	90180210025	BOLT,BUTTON	14		M10X25			ZB0089	
	37001506970	BOLT,BUTTON	14			ZB0090		ZB0102	
17	90101210025	BOLT	6		M10X25			ZB0102	
	90101210025	BOLT	40		M10X25	ZB0103			

CLICK HERE TO **DOWNLOAD** THE COMPLETE MANUAL

- Thank you very much for reading the preview of the manual.
- You can download the complete manual from: www.heydownloads.com by clicking the link below



- Please note: If there is no response to CLICKING the link, please download this PDF first and then click on it.

CLICK HERE TO **DOWNLOAD** THE COMPLETE MANUAL