

LS-106-1-00017 UPPER

PZ1000124-05 SYSTEM

ASSEMBLY

CLICK HERE TO **DOWNLOAD** THE COMPLETE MANUAL

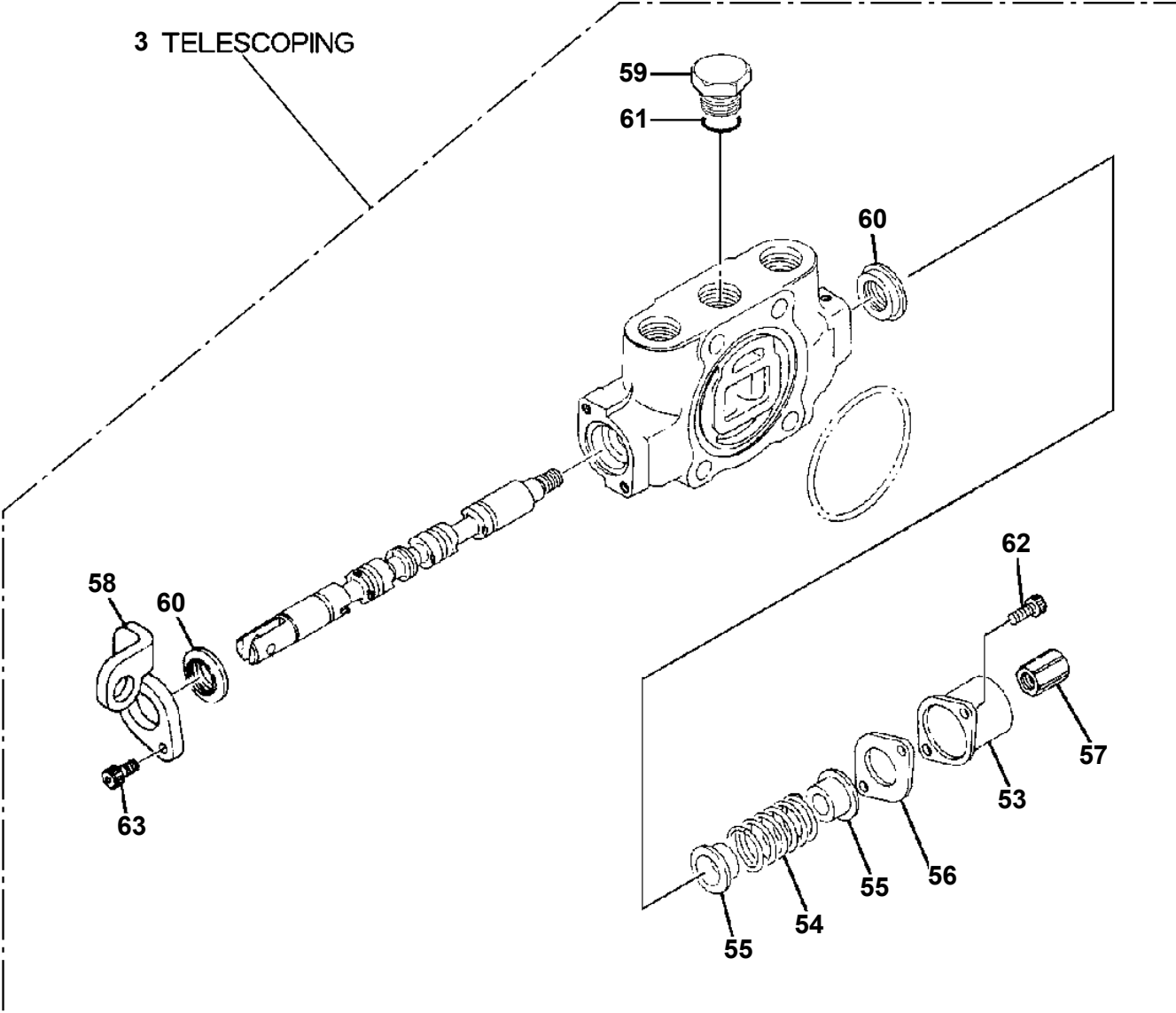
- Thank you very much for reading the preview of the manual.
- You can download the complete manual from: www.heydownloads.com by clicking the link below



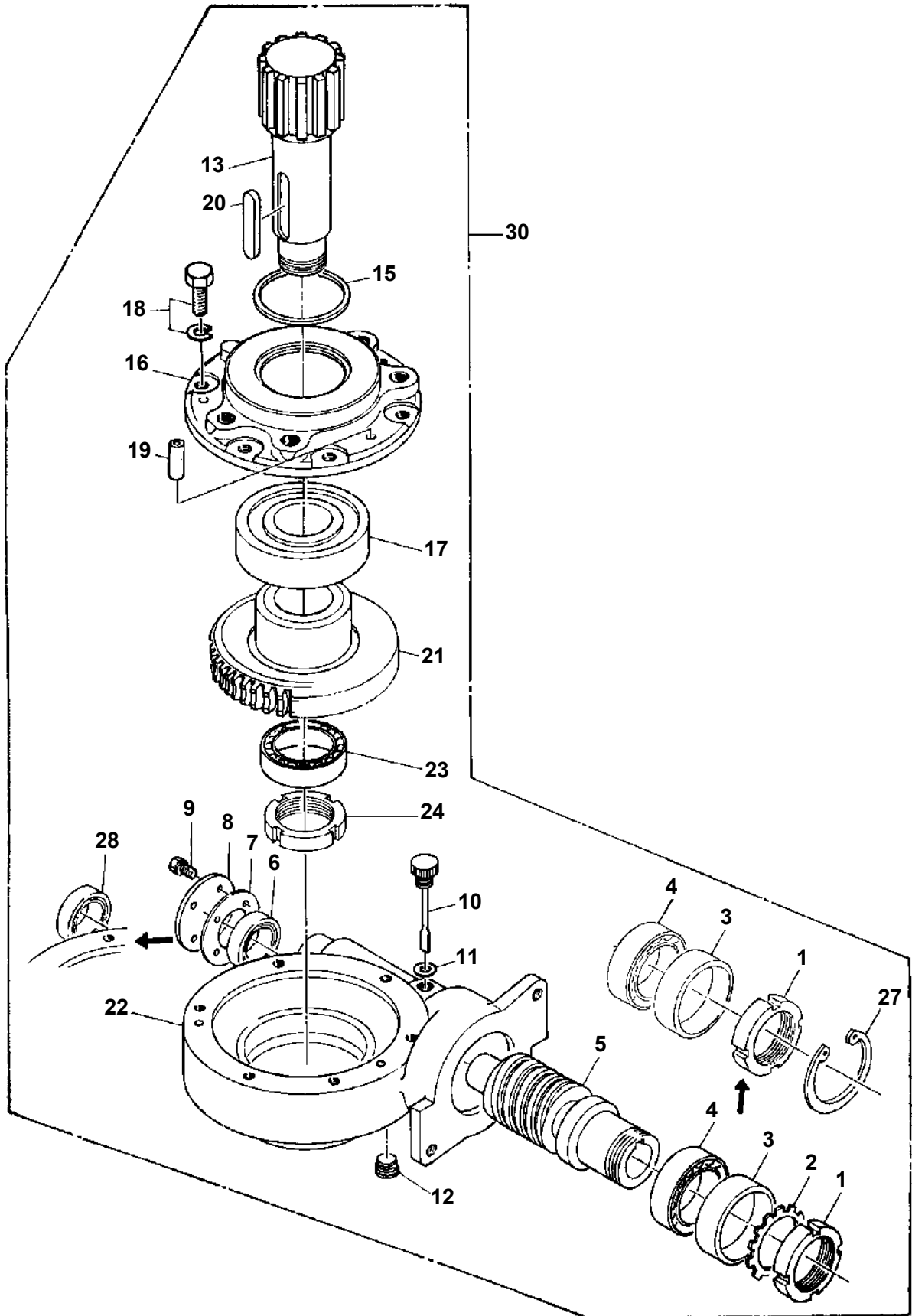
- Please note: If there is no response to CLICKING the link, please download this PDF first and then click on it.

CLICK HERE TO **DOWNLOAD** THE COMPLETE MANUAL

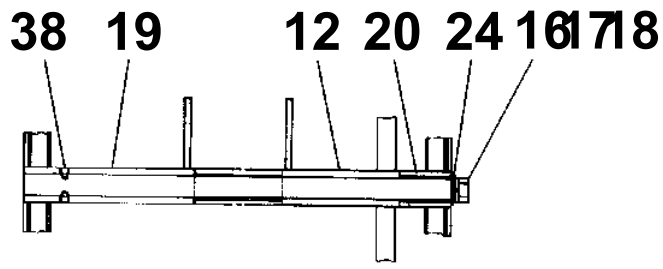
**LS-106-1-00017 UPPER
PB1320419-01 VALVE,MANUAL CONTROL (SANWA)**



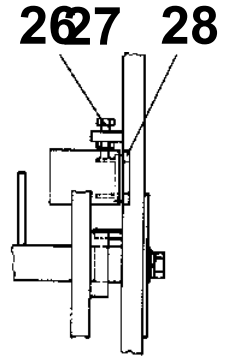
LS-106-1-00017 UPPER
PD1010035-01 REDUCER, SWING SPEED



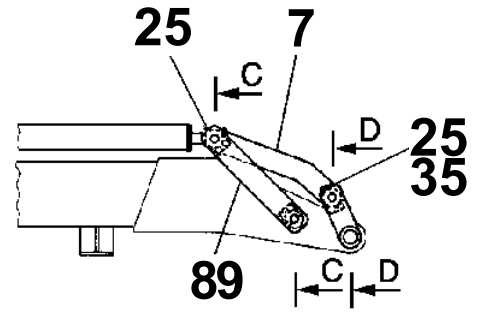
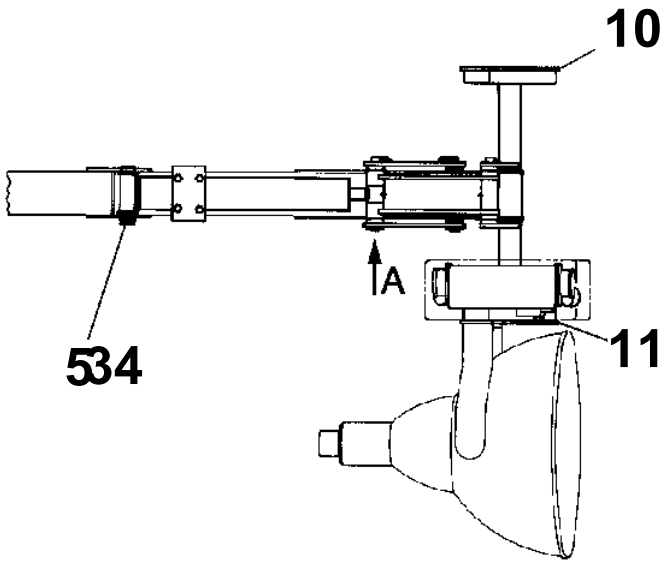
LS-106-1-00017 UPPER
 PE1400000-01 TILTING LAMP



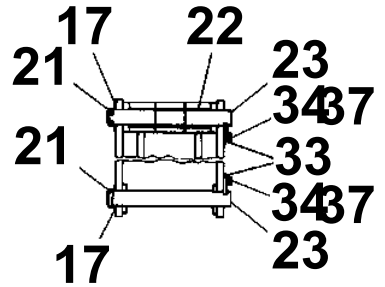
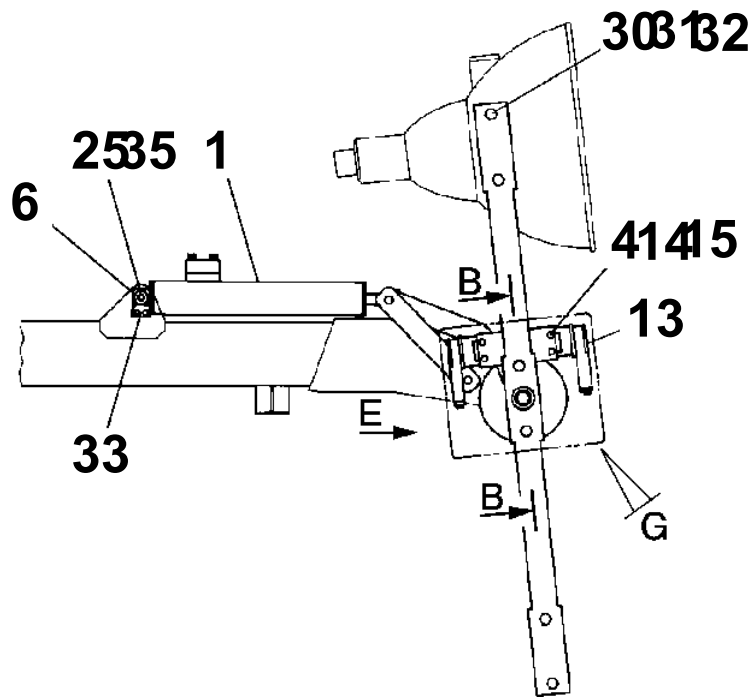
B-B



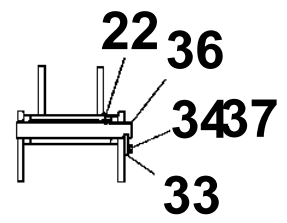
E



A



C-C



D-D

LS-106-1-00017 UPPER

Pos No.	Parts No	Parts Name	Qty	Unit	Technical Data	Serial No (Start)	Serial
100	42809621000	GENERATOR ASSY (DENYO DCA-13ESY/60HZ)	1				

LS-106-1-00017 UPPER

Pos No.	Parts No	Parts Name	Qty	Unit	Technical Data	Serial No (Start)	Serial No (End)	Remarks	Pa
2	91002801400	O-RING	2		1B P14				
6	91002800700	O-RING	1		1B P7				
50	36623930000	VALVE,PILOT CHECK	1						

LS-106-1-00017 UPPER

Pos No.	Parts No	Parts Name	Qty	Unit	Technical Data	Serial No (Start)	Serial No (End)	Remark
1	42892877510	SWITCH,PUSH (WITH CAP)	1					
2	42892877520	SWITCH,PUSH (WITH CAP)	1					
3	42892877530	CASE	1					
4	42892877540	PLATE,NAME	1					
5	42892877550	PLATE,NAME	1					
6	42892877560	SWITCH,MAGNET	1					
7	42892877570	BREAKER	6					
8	42892877580	LAMP,PILOT	1					
9	42892877590	HOLDER,FUSE (WITH FUSE)	1					
10	42892877600	BOARD (TERMINAL)	1					
11	42892877610	BOARD (TERMINAL)	1					
12	42892877620	CONNECTOR (SEAL)	3					
13	42892877630	PLATE,NAME	1					
14	42892877640	TIMER	1					
21	42892877650	CAP (RUBBER,GREEN)	1					
22	42892877660	CAP (RUBBER,RED)	1					
23	42892877670	FUSE	1		1A			
100	42892871000	SWITCH PANEL	1					

LS-106-1-00017 UPPER

Pos No.	Parts No	Parts Name	Qty	Unit	Technical Data	Serial No (Start)	Serial No (E
2	3700222390	PLATE,NAME	1				
3	42392501020	PLATE,NAME	1				
4	42392501030	PLATE,CAUTION	1				
5	42392501040	PLATE,NAME	1				
6	42392501050	PLATE,CAUTION	1				
7	42392501060	PLATE,CAUTION	1				
8	42941480040	PLATE,NAME	1				
9	42941480110	PLATE,NAME	1				
10	42392501070	PLATE,CAUTION	2				
12	90451700100	SCREW,TAPPING	4		M4X6.4		
13	12117140000	PLATE,NAME (GREASE)	1				
14	42941480100	PLATE,NAME	1				
15	42392151020	PLATE,NAME	1				
16	37002217330	PLATE,CAUTION (TADANO HYDRAULIC)	1				
17	37002203600	PLATE,NAME	1				
18	42941480060	PLATE,NAME	1				
19	42941480070	PLATE,NAME	1				
20	42941480080	PLATE,NAME	1				
21	37002206570	PLATE,NAME (TELESCOPING)	1				
22	37002206590	PLATE,NAME (TELESCOPING)	1				
24	37002220410	PLATE,CAUTION	1				
25	37002221020	PLATE,CAUTION	1				
26	42395542030	PLATE,CAUTION	1				
27	37002226560	PLATE,NAME	1				

CLICK HERE TO **DOWNLOAD** THE COMPLETE MANUAL

- Thank you very much for reading the preview of the manual.
- You can download the complete manual from: www.heydownloads.com by clicking the link below



- Please note: If there is no response to CLICKING the link, please download this PDF first and then click on it.

CLICK HERE TO **DOWNLOAD** THE COMPLETE MANUAL