

**AT-147-1 42096110100 LOWER,NISSAN KR-AKR81E3N-5NXPY**

PO1000149-00 INDICATION PLATES

PW1000109-01 ACCESSORIES & TOOLS

PX2000256-00 CARRIER UNIT

PX3000178-00 MOUNTING UNIT

PX3000185-00 MOUNTING UNIT (ENGINE)

PY1000813-00 OPTIONS,1

PY2000096-00 OPTIONS,2

ASSEMBLY

CLICK HERE TO **DOWNLOAD** THE COMPLETE MANUAL

- Thank you very much for reading the preview of the manual.
- You can download the complete manual from: [www.heydownloads.com](http://www.heydownloads.com) by clicking the link below



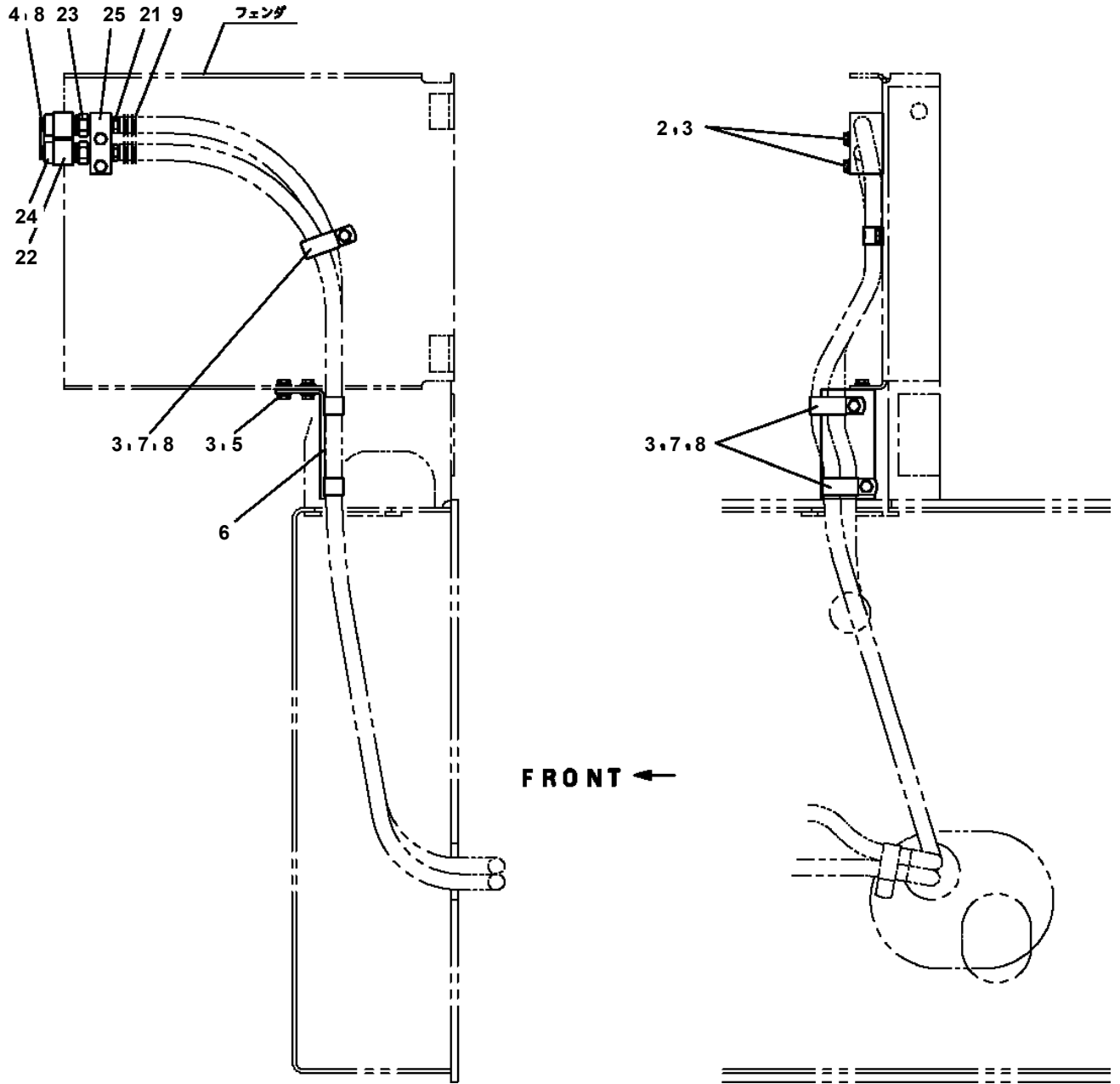
- Please note: If there is no response to CLICKING the link, please download this PDF first and then click on it.

CLICK HERE TO **DOWNLOAD** THE COMPLETE MANUAL

# AT-147-1 42096110100 LOWER,NISSAN KR-AKR81E3N-5NXPY

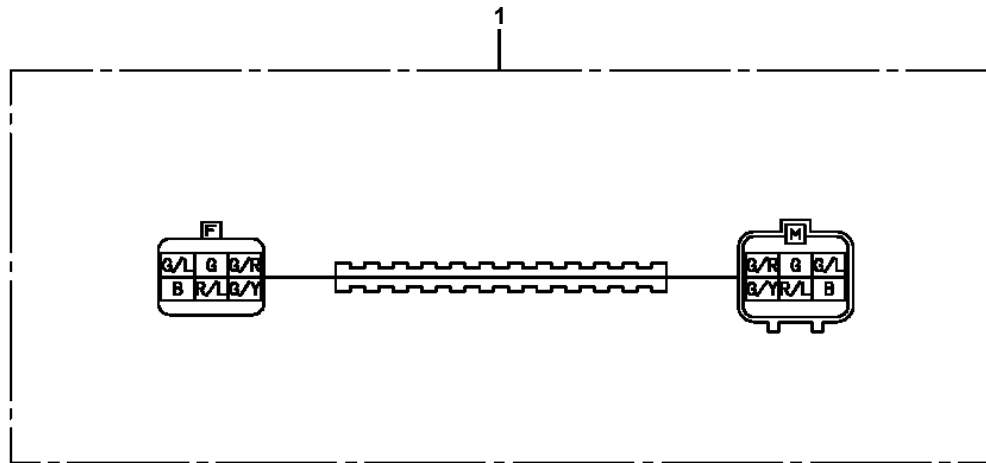
Pos No.	Parts No	Parts Name	Qty	Unit	Technical Data	Serial No (Start)	Serial
1	(*****)	POWER SUPPLY (ENGINE/PIPING DRAIN)	1				
2	(*****)	POWER SUPPLY (ENGINE/FUEL PUMP)	1				
3	(*****)	POWER SUPPLY (ENGINE/WIRING POWER UNIT)	1				
4	(*****)	POWER SUPPLY (EXHAUST)	1				

**AT-147-1 42096110100 LOWER,NISSAN KR-AKR81E3N-5NXPY  
PB1380118-00 POWER SUPPLY (ENGINE/PIPING DRAIN)**

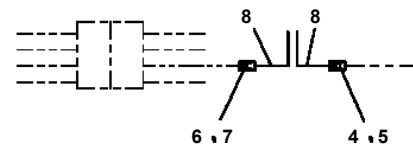
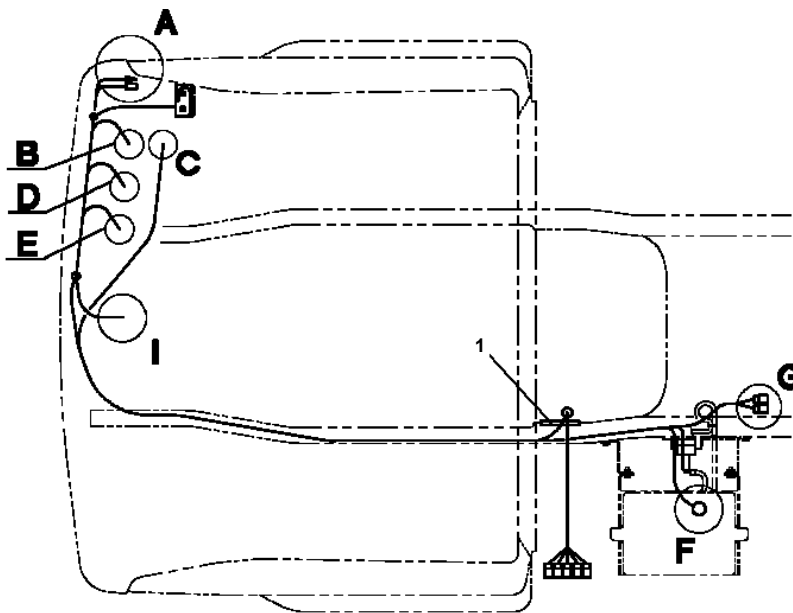




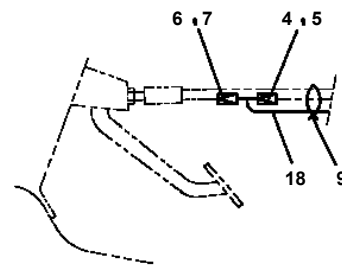
AT-147-1 42096110100 LOWER,NISSAN KR-AKR81E3N-5NXPY  
PH5031756-00 HARNESS



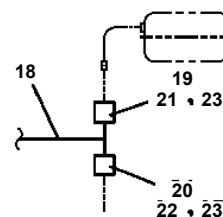
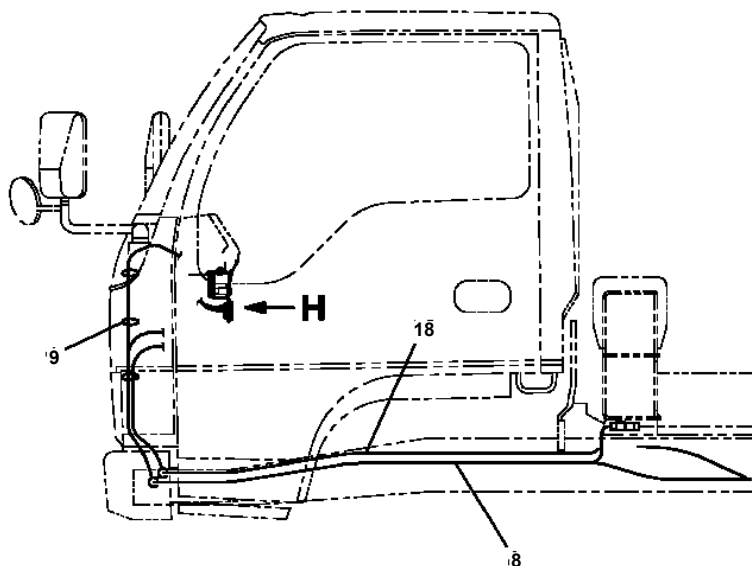
**AT-147-1 42096110100 LOWER,NISSAN KR-AKR81E3N-5NXPY  
PN1013316-00 ELEC.ASSY (CARRIER)**



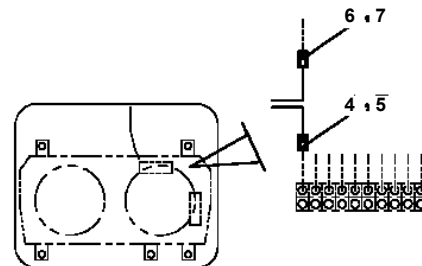
**A**  
パーキングブレーキ検出



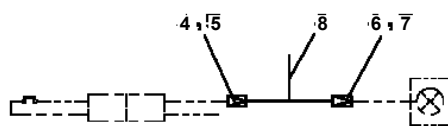
**B**  
フットブレーキ操作検出



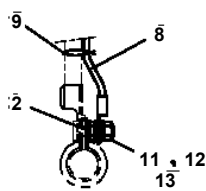
**C**  
バキュームS/W検出



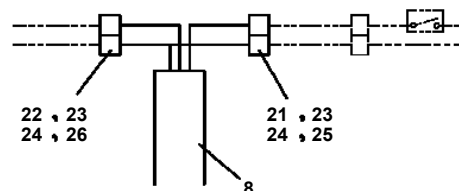
**D**  
コンビネーションメータ改造



**E**  
P.T.O.S/W検出



**F**  
電源取出し



**G**  
ニュートラル検出

CLICK HERE TO **DOWNLOAD** THE COMPLETE MANUAL

- Thank you very much for reading the preview of the manual.
- You can download the complete manual from: [www.heydownloads.com](http://www.heydownloads.com) by clicking the link below



- Please note: If there is no response to CLICKING the link, please download this PDF first and then click on it.

CLICK HERE TO **DOWNLOAD** THE COMPLETE MANUAL

**AT-147-1 42096110100 LOWER,NISSAN KR-AKR81E3N-5NXPY**

Pos No.	Parts No	Parts Name	Qty	Unit	Technical Data	Serial No (Start)	Serial No (End)	Remarks	Pages
1	42834482100	PLATE (NON-SLIP)	4						
2	42833782010	PLATE (NON-SLIP)	4						
3	42834473100	PLATE (NON-SLIP)	1						
4	34393926550	PLATE (NON-SLIP)	1						
5	34393926540	PLATE (NON-SLIP)	2						

**AT-147-1 42096110100 LOWER,NISSAN KR-AKR81E3N-5NXPY**

Pos No.	Parts No	Parts Name	Qty	Unit	Technical Data	Serial No (Start)	Serial No (End)	Rem
1	42460015010	BAG,TOOL	1					
2	91991510003	HEXAGON BARWRENCH (G3)	1					
3	91991510004	HEXAGON BARWRENCH (G4)	1					
4	91991510005	HEXAGON BARWRENCH (G5)	1					
5	91991510006	HEXAGON BARWRENCH (G6)	1					
6	91991510008	HEXAGON BARWRENCH (G8)	1					
7	91991510010	HEXAGON BARWRENCH (G10)	1					
8	91991310024	SPANNER	1		24			
50	42473401000	TOOLS	1					

**AT-147-1 42096110100 LOWER,NISSAN KR-AKR81E3N-5NXPY**

Pos No.	Parts No	Parts Name	Qty	Unit	Technical Data	Serial No (Start)	Serial No (End)	Remarks	Pages
1	42874141000	SUPPORT ASSY	1						
2	42872001100	CUSHION	1						
3	80182308030	SCREW,MACHINE	4		M8X30				
4	90171114035	BOLT	4		M14X35				
5	90302041401	WASHER,SPRING	4		14				
6	90302040801	WASHER,SPRING	4		8				
8	42873830200	PLATE	2						

**AT-147-1 42096110100 LOWER,NISSAN KR-AKR81E3N-5NXPY**

Pos No.	Parts No	Parts Name	Qty	Unit	Technical Data	Serial No (Start)	Serial No (End)
1	42731680000	WOOD BLOCK (WITH RUBBER,T=80)	1				

# AT-147-1 42096110100 LOWER,NISSAN KR-AKR81E3N-5NXPY

Pos No.	Parts No	Parts Name	Qty	Unit	Technical Data	Serial No (Start)	Serial No (End)	Remarks	Pages
1	42833430800	BOX,TOOL	1						000049
2	90302041001	WASHER,SPRING	4		10				
3	90201201000	NUT	4		M10				
4	37000560120	PLATE	6		T=3.2				
5	90190110030	BOLT	4		M10X30				
6	37000559500	PLATE	2						

# AT-147-1 42096110100 LOWER,NISSAN KR-AKR81E3N-5NXPY

Pos No.	Parts No	Parts Name	Qty	Unit	Technical Data	Serial No (Start)	Serial No (End)	Remarks	Pages
1	42694801000	DECK	1						
2	89631303000	HOSE,VINYL	1		22X26,25,3M				
3	91803600300	CLIP	1		D=22-30				
4	31642171600	PLATE,NAME	1						
5	82401601002	CLAMP	2						
6	91810130240	FASTENER	2						
7	82100002016	CLAMP	1		WR25				
8	90101206020	BOLT	1		M6X20				
9	90302040601	WASHER,SPRING	1		6				
10	90303070601	WASHER,PLAIN	1		6				
11	90201200600	NUT	1		M6				
12	42693910200	SUPPORT	1						
13	42690150010	SUPPORT	4						
14	90101210035	BOLT	8		M10X35				
15	90101208020	BOLT	16		M8X20				
16	90201201000	NUT	8		M10				
17	90201200800	NUT	4		M8				
18	90302041001	WASHER,SPRING	8		10				
19	90302040801	WASHER,SPRING	4		8				
20	34250000850	PLATE	4		T=4.5				
21	90303071001	WASHER,PLAIN	12		10				
22	90303070801	WASHER,PLAIN	4		8				
23	42693910300	SUPPORT	1						
43	82400000205	GROMMET	4						

CLICK HERE TO **DOWNLOAD** THE COMPLETE MANUAL

- Thank you very much for reading the preview of the manual.
- You can download the complete manual from: [www.heydownloads.com](http://www.heydownloads.com) by clicking the link below



- Please note: If there is no response to CLICKING the link, please download this PDF first and then click on it.

CLICK HERE TO **DOWNLOAD** THE COMPLETE MANUAL