

AT-146-3 43011165400 LOWER,TOYOTA SKG-XZU600W-TKFSC6

PO1000171-00 INDICATION PLATES

PX2001427-00 CARRIER UNIT

PX3000759-00 MOUNTING UNIT

ASSEMBLY

CLICK HERE TO **DOWNLOAD** THE COMPLETE MANUAL

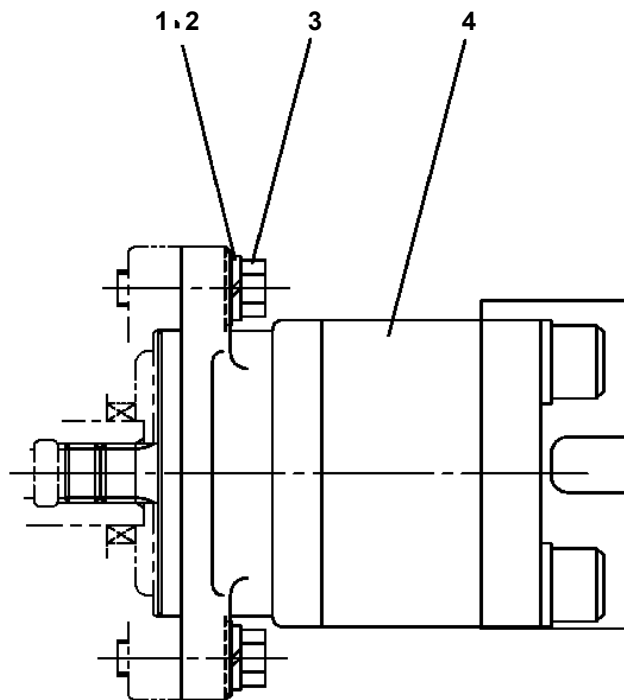
- Thank you very much for reading the preview of the manual.
- You can download the complete manual from: www.heydownloads.com by clicking the link below



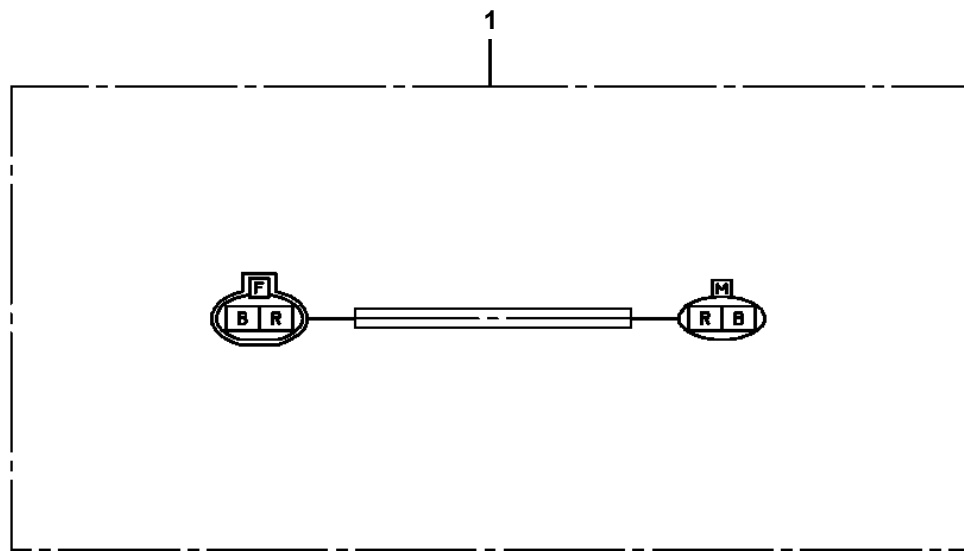
- Please note: If there is no response to CLICKING the link, please download this PDF first and then click on it.

CLICK HERE TO **DOWNLOAD** THE COMPLETE MANUAL

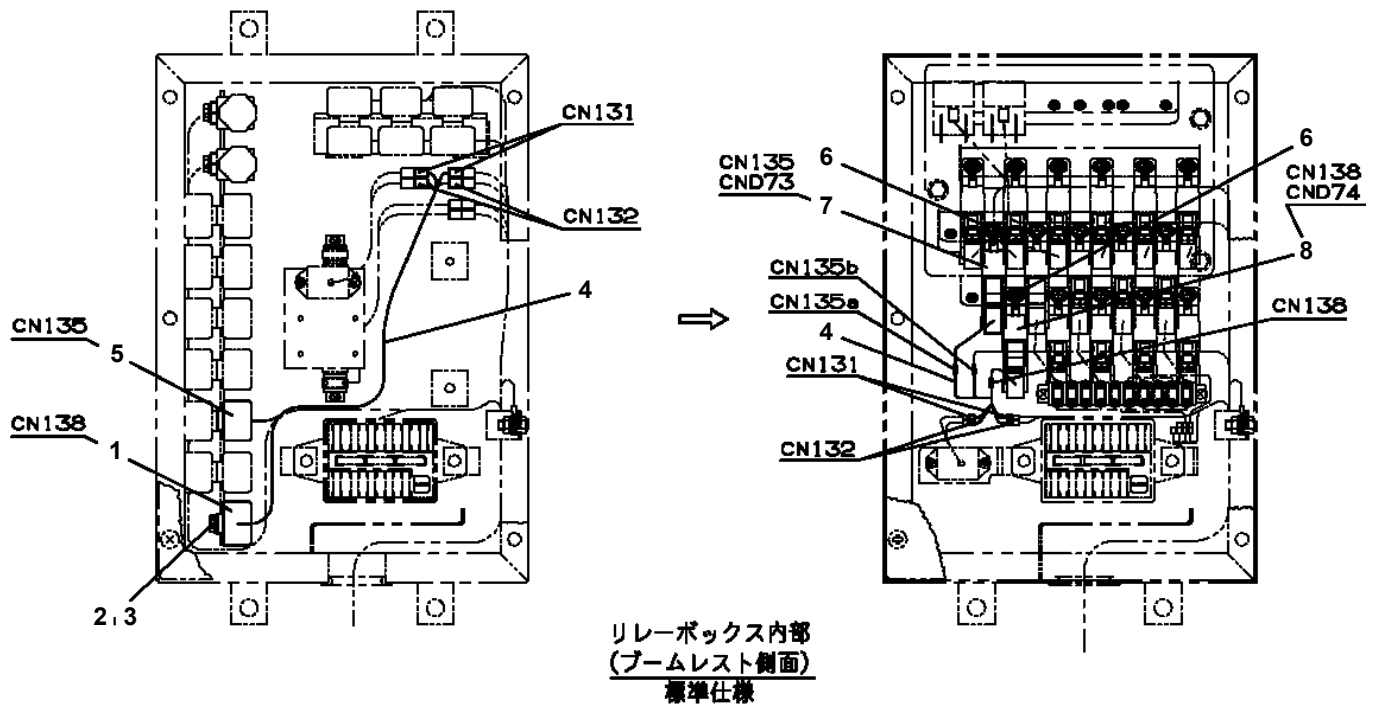
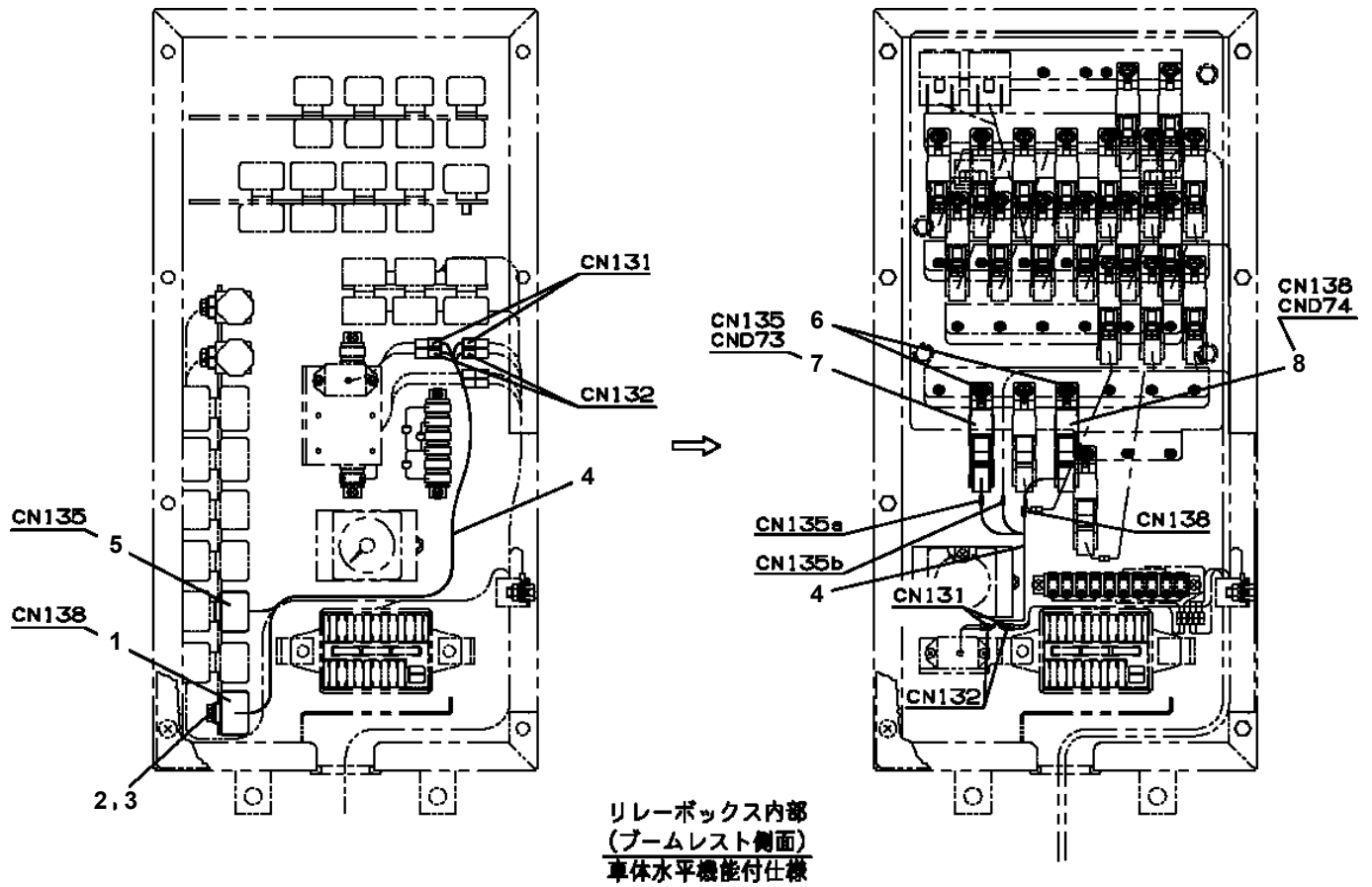
**AT-146-3 43011165400 LOWER, TOYOTA SKG-XZU600W-TKFSC6
PB1110007-01 PUMP INSTALLATION**



AT-146-3 43011165400 LOWER,TOYOTA SKG-XZU600W-TKFSC6
PH5034148-00 HARNESS



AT-146-3 43011165400 LOWER, TOYOTA SKG-XZU600W-TKFSC6
 PN1014646-01 ELEC.ASSY (ISUZU, TOYOTA, HINO/ KEY SW INTERLOCK RELAY)

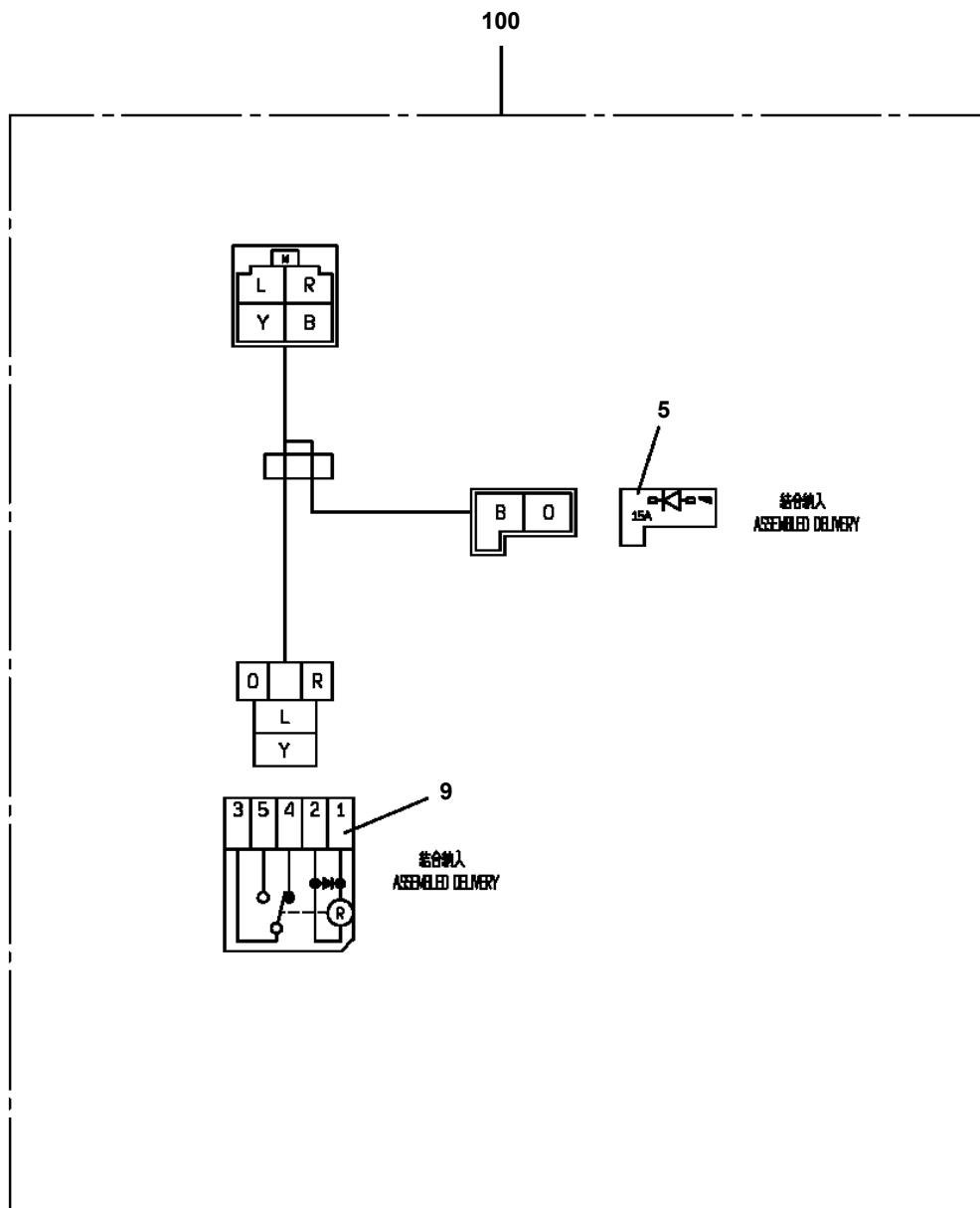


いすゞ



いすゞ・トヨタ・日野

AT-146-3 43011165400 LOWER, TOYOTA SKG-XZU600W-TKFSC6
PR5210001-00 RELAY (WITH HARNESS)



AT-146-3 43011165400 LOWER,TOYOTA SKG-XZU600W-TKFSC6

Pos No.	Parts No	Parts Name	Qty	Unit	Technical Data	Serial No (Start)	Serial No (End)	Remarks	Pages
1	82459103000	NIPPLE,GREASE	1		C-PT1/8				

CLICK HERE TO **DOWNLOAD** THE COMPLETE MANUAL

- Thank you very much for reading the preview of the manual.
- You can download the complete manual from: www.heydownloads.com by clicking the link below



- Please note: If there is no response to CLICKING the link, please download this PDF first and then click on it.

CLICK HERE TO **DOWNLOAD** THE COMPLETE MANUAL