

AT-141-1 42043120300 LOWER,MITSUBISHI FE337BHZ

PB3000291-00 POWER UNIT
PO1000149-00 INDICATION PLATES
PX2001301-00 CARRIER UNIT
PX3000697-00 MOUNTING UNIT
PY1001511-00 OPTIONS
ASSEMBLY

CLICK HERE TO **DOWNLOAD** THE COMPLETE MANUAL

- Thank you very much for reading the preview of the manual.
- You can download the complete manual from: www.heydownloads.com by clicking the link below



- Please note: If there is no response to CLICKING the link, please download this PDF first and then click on it.

CLICK HERE TO **DOWNLOAD** THE COMPLETE MANUAL

AT-141-1 42043120300 LOWER,MITSUBISHI FE337BHZ

Pos No.	Parts No	Parts Name	Qty	Unit	Technical Data	Serial No (Start)	Serial No (End)
1	(*****)	BATTERY INSTALLATION	1				
2	(*****)	HOUR METER	1				
3	(*****)	POWER SUPPLY (LOWER HYD.OUTLET/BOOS+13L)	1				225454
4	(*****)	POWER SUPPLY (LOWER HYD.OUTLET/BOOS&13L)	1			225454	
	(*****)	POWER SUPPLY (LOWER HYD.OUTLET/13L)	1				225454
	(*****)	POWER SUPPLY (LOWER HYD.OUTLET/13L)	1				
5	(*****)	POWER SUPPLY (24V/POWER SOURCE)	1				
6	(*****)	BOX,TOOL (BOOM LEFT SIDE)	1				
7	(*****)	BOOSTER	1				
11	(*****)	LAMP (FLICKER)	1				
31	(*****)	REFLECTOR (FOR KANDENKO)	1				
32	(*****)	PIPING,RELIEF	1				

AT-141-1 42043120300 LOWER,MITSUBISHI FE337BHZ

Pos No.	Parts No	Parts Name	Qty	Unit	Technical Data	Serial No (Start)	Serial No (End)	Remarks	Pages
2	37000515930	PLATE	1			225318			
14	82100002232	LAMP,PILOT	1						
17	82109311002	SWITCH,CAM	1						

AT-141-1 42043120300 LOWER,MITSUBISHI FE337BHZ

Pos No.	Parts No	Parts Name	Qty	Unit	Technical Data	Serial No (Start)	Serial No (End)
1	80303030200	FITTING,ELBOW	3				
	80303030200	FITTING,ELBOW	3				
2	80303130201	FITTING,ELBOW	1		KLO15-040E		
	80303130201	FITTING,ELBOW	1		KLO15-040E		
3	80303130161	FITTING,ELBOW	1		KLO12-030E		
	80303130161	FITTING,ELBOW	1		KLO12-030E		
4	42733682600	FITTING,ELBOW	1				
	42733682600	FITTING,ELBOW	1				
5	80305010100	FITTING,TEE	2		KTA12-000N		
	80305010100	FITTING,TEE	2		KTA12-000N		
6	80172303010	SCREW,MACHINE	5		M3X10		
	80172303010	SCREW,MACHINE	5		M3X10		
7	42733682501	SUPPORT	1				
	42733682501	SUPPORT	1				
8	80302010170	FITTING	1		KCT12-040N		
	80302010170	FITTING	1		KCT12-040N		
9	80430420850	JOINT	1				
	80430420850	JOINT	1				
10	90302040301	WASHER,SPRING	5		3		
	90302040301	WASHER,SPRING	5		3		
11	42340013200	JOINT,SELF SEALING (WITH CAP)	1				
	42340013200	JOINT,SELF SEALING (WITH CAP)	1				
12	80456020610	JOINT,SELF SEALING	1				
	80456020610	JOINT,SELF SEALING	1				
13	81408000160	PIPE,STEEL	1	M	12X1.4T		
	81408000160	PIPE,STEEL	1	M	12X1.4T		
14	81408000160	PIPE,STEEL	1	M	12X1.4T		
	81408000160	PIPE,STEEL	1	M	12X1.4T		
15	42731490600	PLATE	1				
	42731490600	PLATE	1				
16	90101206012	BOLT	1		M6X12		
	90101206012	BOLT	1		M6X12		
17	90201200600	NUT	1		M6		
	90201200600	NUT	1		M6		
18	42731490550	HARNESS	1				
	42731490550	HARNESS	1				
19	91810130240	FASTENER	5				
	91810130240	FASTENER	5				
20	42733721200	CABLE	1				
	42733721200	CABLE	1				
21	81408000210	PIPE,STEEL	1	M	15X2.0T		
	81408000210	PIPE,STEEL	1	M	15X2.0T		
22	81408000210	PIPE,STEEL	1	M	15X2.0T		
	81408000210	PIPE,STEEL	1	M	15X2.0T		
23	80302010240	FITTING	1				
	80302010240	FITTING	1				
24	81408000241	PIPE,STEEL	1	M	18X1.9T		
	81408000241	PIPE,STEEL	1	M	18X1.9T		
25	42733682200	COVER ASSY	1				
	42733682200	COVER ASSY	1				
26	42733682620	ORIFICE	1				
	42733682620	ORIFICE	1				
27	90131508012	BOLT,HEXAGON SOCKET <M8X12.	3				
	90131508012	BOLT,HEXAGON SOCKET <M8X12.	3				
28	90302040801	WASHER,SPRING	3		8		
	90302040801	WASHER,SPRING	3		8		
29	42733682401	VALVE,SOLENOID (WITH CONNECTOR)	1				
	42733682401	VALVE,SOLENOID (WITH CONNECTOR)	1				
30	36610700000	VALVE,FLOW CONTROL	1				
	36610700000	VALVE,FLOW CONTROL	1				
31	90302040601	WASHER,SPRING	3		6		
	90302040601	WASHER,SPRING	3		6		
32	90101206050	BOLT	2		M6X50		

AT-141-1 42043120300 LOWER,MITSUBISHI FE337BHZ

Pos No.	Parts No	Parts Name	Qty	Unit	Technical Data	Serial No (Start)	Se
1	(***** *****)	POWER SUPPLY (LOWER HYDRAULIC OUTLET SW)	1				
	(***** *****)	POWER SUPPLY (LOWER HYDRAULIC OUTLET SW)	1				
2	(***** *****)	POWER SUPPLY (LOWER HYD.OUTLET PIPING)	1				
	(***** *****)	POWER SUPPLY (LOWER HYD.OUTLET PIPING)	1				
3	(***** *****)	POWER SUPPLY (LOWER HYDRAULIC OUTLET)	1				
	(***** *****)	POWER SUPPLY (LOWER HYDRAULIC OUTLET)	1				
4	(***** *****)	POWER SUPPLY (LOWER HYD.OUTLET PIPING)	1			225716	

AT-141-1 42043120300 LOWER,MITSUBISHI FE337BHZ

Pos No.	Parts No	Parts Name	Qty	Unit	Technical Data	Serial No (Start)	Serial No (End)
59	91001203500	O-RING	1		1A G35		
60	82100002016	CLAMP	2		WR25		
61	90101208060	BOLT	1		M8X60		225524
	90101208060	BOLT	3		M8X60	225525	
62	90303070801	WASHER,PLAIN	1		8		
63	42641750400	SUPPORT	1			225148	
71	91002801800	O-RING	1		1B P18		
81	82100002283	CONNECTOR	1				225453
82	82100002256	TERMINAL	2				225453
83	82100002329	PLUG	1				225453
84	36641520000	VALVE,SOLENOID	1				

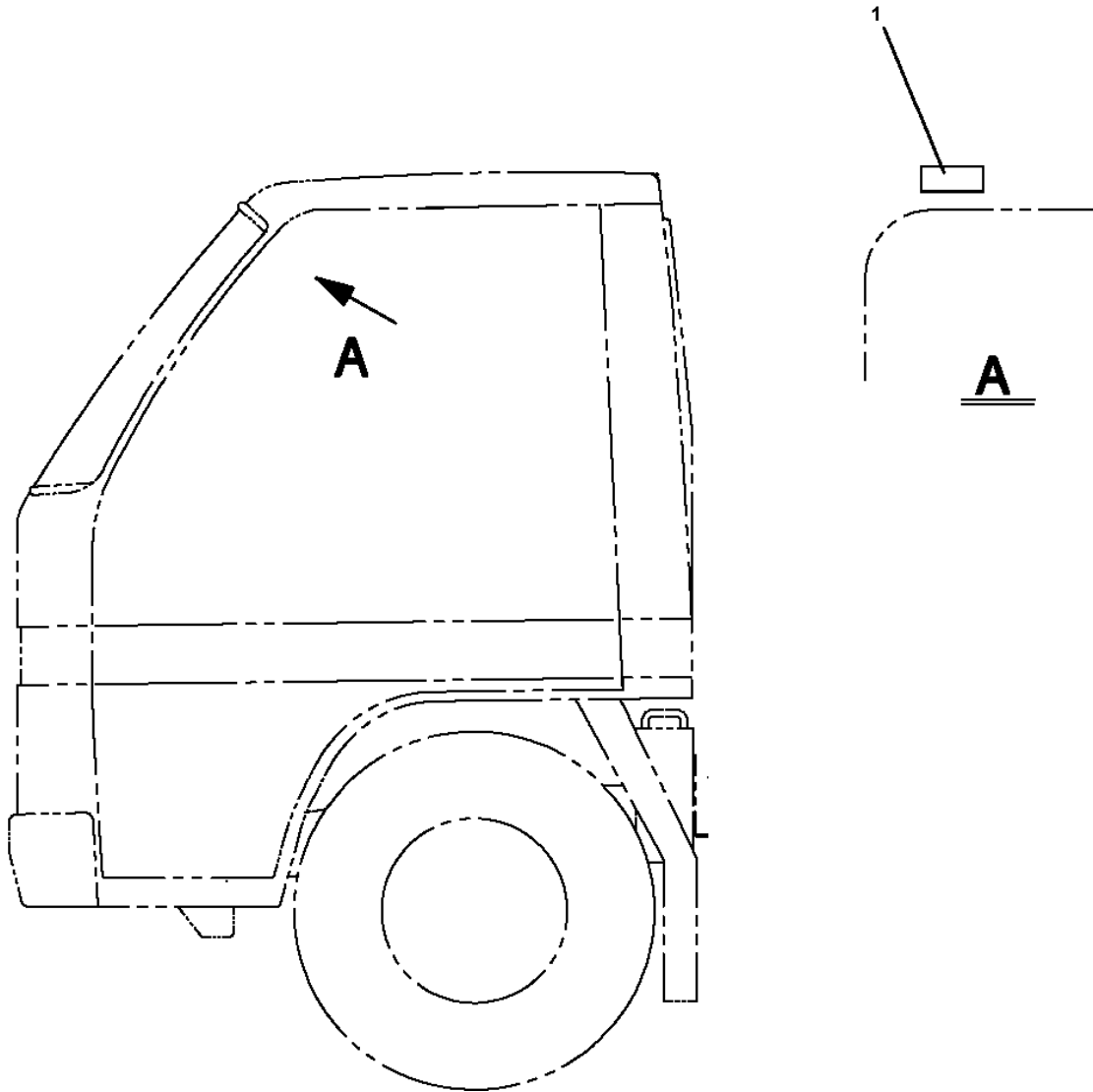
AT-141-1 42043120300 LOWER,MITSUBISHI FE337BHZ

Pos No.	Parts No	Parts Name	Qty	Unit	Technical Data	Serial No (Start)	Serial No (End)	Remarks
2	36640165010	COVER (A)	1					
	36640165010	COVER (A)	1					
3	36640905020	COVER (B)	1					
	36640905020	COVER (B)	1					
5	19045104120	RETAINER	2					
	19045104120	RETAINER	2					
6	19045104130	RING	2					
	19045104130	RING	2					
7	19045110030	PIN	1					
	19045110030	PIN	1					
8	19045104090	SPRING (A)	1					
	19045104090	SPRING (A)	1					
9	36640165020	SPRING	1					
	36640165020	SPRING	1					
10	19045104100	SPACER	1					
	19045104100	SPACER	1					
14	36640375010	NUT	1					
	36640375010	NUT	1					
17	36641345020	CONNECTOR	1					
	36641345020	CONNECTOR	1					
18	19045104070	PACKING (COIL)	1					
	19045104070	PACKING (COIL)	1					
19	90131506015	BOLT,HEXAGON SOCKET	8		M6X15			
	90131506015	BOLT,HEXAGON SOCKET	8		M6X15			
20	80316030020	PLUG	1		PT1/8			
	80316030020	PLUG	1		PT1/8			
21	91001100300	O-RING	1		1A P3			
	91001100300	O-RING	1		1A P3			
22	91002801200	O-RING	5		1B P12			
	91002801200	O-RING	5		1B P12			
23	91002802800	O-RING	3		1B P28			
	91002802800	O-RING	3		1B P28			
25	91001203000	O-RING	1		1A G30			
	91001203000	O-RING	1		1A G30			
30	19045195640	GUIDE ASSY	1					
	19045195640	GUIDE ASSY	1					
40	36640375020	COIL ASSY	1					
	36640375020	COIL ASSY	1					
100	36641840000	VALVE,SOLENOID	1					
	36641840000	VALVE,SOLENOID	1					

AT-141-1 42043120300 LOWER,MITSUBISHI FE337BHZ

Pos No.	Parts No	Parts Name	Qty	Unit	Technical Data	Serial No (Start)	Serial No (End)	Remarks
1	42710500150	SUPPORT	1					
2	90302040601	WASHER,SPRING	7		6			
3	90101208020	BOLT	2		M8X20			
4	90302040801	WASHER,SPRING	2		8			
5	90131505014	BOLT,HEXAGON SOCKET	2		M5X14			
6	90303070601	WASHER,PLAIN	5		6			
7	80136320012	PIN,SPLIT	4		2X12			
8	82100002014	CLAMP	1		WR20			
9	42710500300	SUPPORT	1					
10	90302040501	WASHER,SPRING	2		5			
11	82100002051	CLAMP	1		WS-A55			
12	80172303008	SCREW,MACHINE	12		M3X8			
13	90302040301	WASHER,SPRING	12		3			
14	80192484008	SCREW,MACHINE	4		M4X8			
15	42710150300	COVER	1					
17	42710010280	LINK	1					
18	37000112850	PIN	3					
19	90303070401	WASHER,PLAIN	3		4			
20	80136316010	PIN,SPLIT	3		1.6X10			
21	90190208030	BOLT	2		M8X30			
22	90201200800	NUT	6		M8			
23	80182306010	SCREW,MACHINE	4		M6X10			
24	16311103000	SPRING	1					
25	42710040110	BOLT	1					
26	37000105720	PIN	3					
27	42710150350	CASE	1					
28	42711650300	HARNESS	1					
29	37000112370	PIN	1					
30	42710150250	PLATE	1					
31	37001702080	CABLE,CONTROL	1		L=1500			
32	37001706090	CABLE,CONTROL	1		L=1320			
33	42711810200	SUPPORT	1					
34	90101506010	BOLT	1		M6X1.0			
35	91810130240	FASTENER	1					
36	82100002005	CLAMP	1		WRC8			
37	42710500200	LEVER	1					
38	90201200600	NUT	2		M6			
39	90101206010	BOLT	1		M6X1.0			
55	82100001706	SOLENOID	2		12V			
60	82100001666	SOLENOID	1		24V			

AT-141-1 42043120300 LOWER, MITSUBISHI FE337BHZ
PO1010797-00 PLATE, INDICATION



AT-141-1 42043120300 LOWER,MITSUBISHI FE337BHZ

Pos No.	Parts No	Parts Name	Qty	Unit	Technical Data	Serial No (Start)	Serial No (End)	Remarks	Pages
1	42871140100	SUPPORT (BOOM)	1						
2	42872001100	CUSHION	1			225895			
3	80182308016	SCREW,MACHINE	4		M8X16	225895			
4	90302040801	WASHER,SPRING	4		8	225895			

CLICK HERE TO **DOWNLOAD** THE COMPLETE MANUAL

- Thank you very much for reading the preview of the manual.
- You can download the complete manual from: www.heydownloads.com by clicking the link below



- Please note: If there is no response to CLICKING the link, please download this PDF first and then click on it.

CLICK HERE TO **DOWNLOAD** THE COMPLETE MANUAL

AT-141-1 42043120300 LOWER,MITSUBISHI FE337BHZ

Pos No.	Parts No	Parts Name	Qty	Unit	Technical Data	Serial No (Start)	Serial No (End)	Remarks	Pages
1	42810441000	SUPPORT	1						
	42810441000	SUPPORT	1						
	42810441000	SUPPORT	1						
2	90101212022	BOLT	4		M12X22				
	90101212022	BOLT	4		M12X22				
	90101212022	BOLT	4		M12X22				
3	90302041201	WASHER,SPRING	4		12				
	90302041201	WASHER,SPRING	4		12				
	90302041201	WASHER,SPRING	4		12				

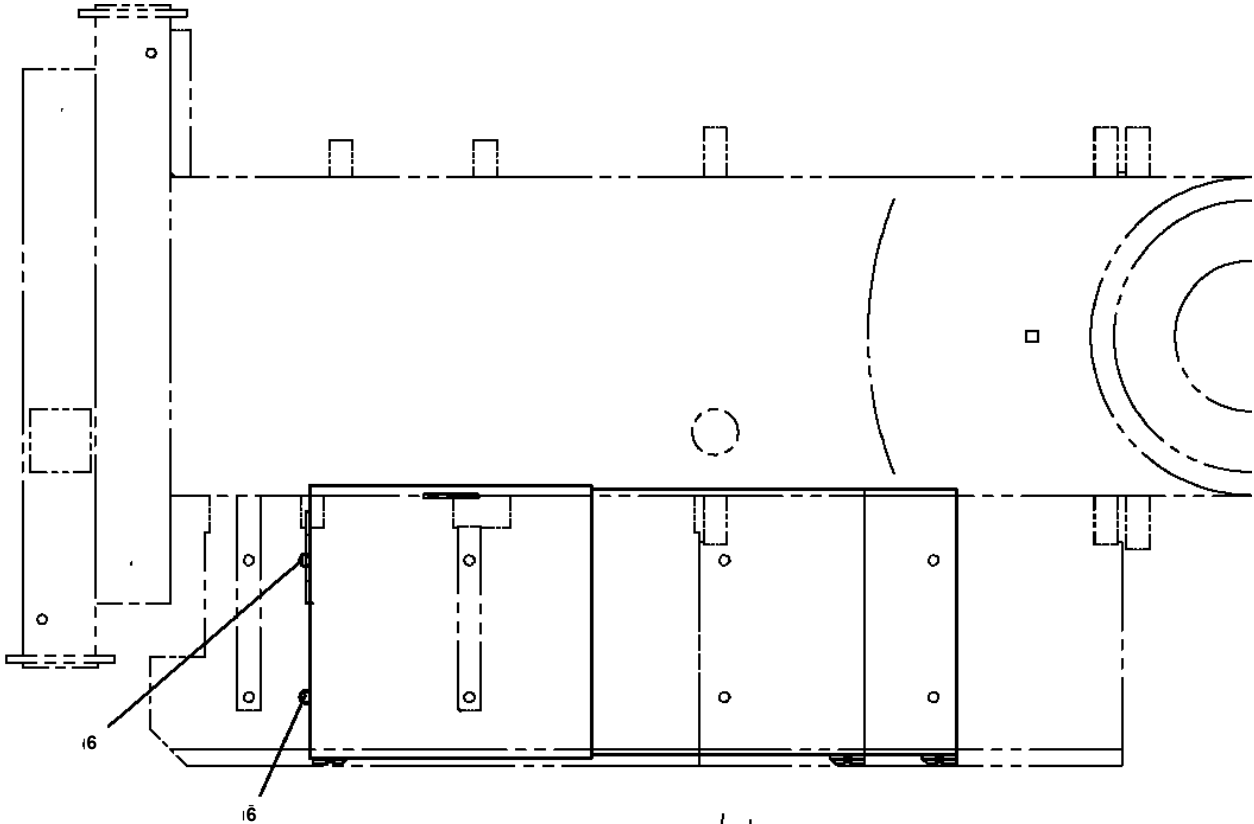
AT-141-1 42043120300 LOWER,MITSUBISHI FE337BHZ

Pos No.	Parts No	Parts Name	Qty	Unit	Technical Data	Serial No (Start)	Serial No (End)	Remarks	Pages
1	42830932100	WEIGHT	1						
2	90101212070	BOLT	4		M12X70				
3	90302041201	WASHER,SPRING	4		12				
4	90201201200	NUT	4		M12				
5	37000505950	PLATE	8		T=3.2				
6	90101210025	BOLT	4		M10X25				
7	90201201000	NUT	4		M10				
8	90302041001	WASHER,SPRING	4		10				

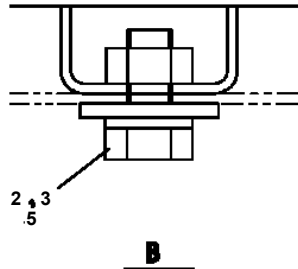
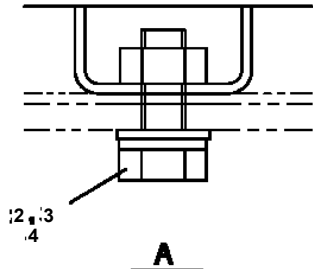
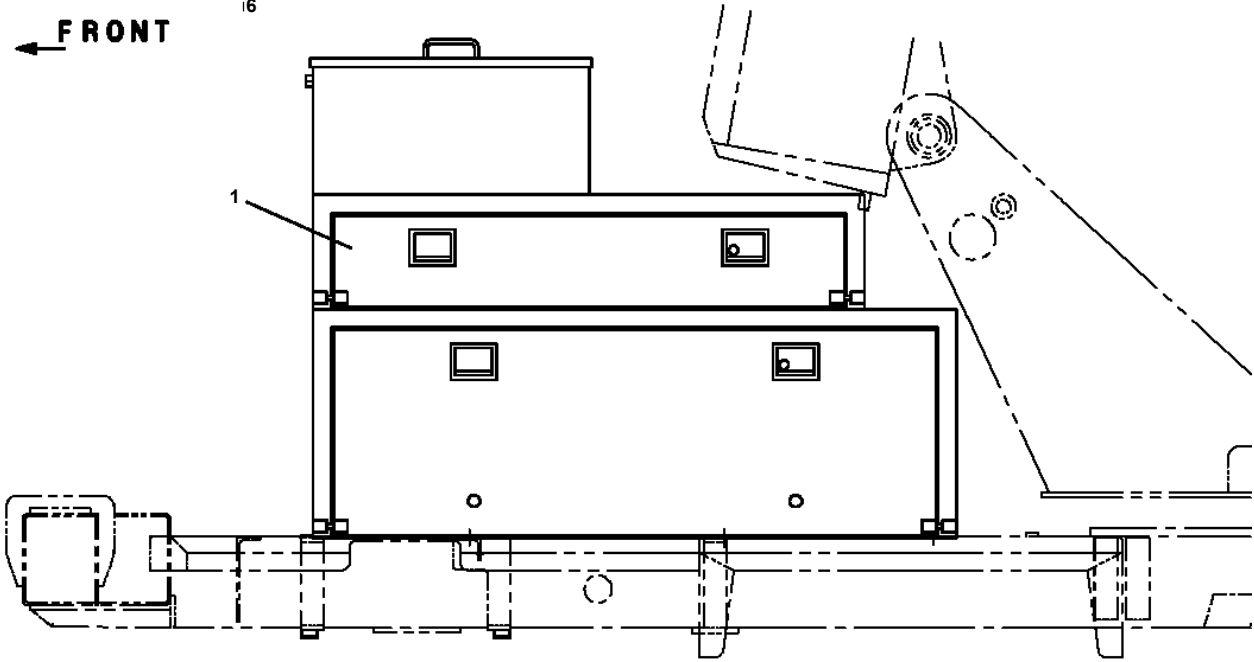
AT-141-1 42043120300 LOWER,MITSUBISHI FE337BHZ

Pos No.	Parts No	Parts Name	Qty	Unit	Technical Data	Serial No (Start)	Serial No (End)	Remarks	P
1	42831681000	BOX,TOOL	1						
2	90101210025	BOLT	8		M10X25				
3	90302041001	WASHER,SPRING	8		10				
4	90303071001	WASHER,PLAIN	4		10				
5	37000505950	PLATE	4		T=3.2				
6	42831380050	PLATE	3				225488		
	42831380050	PLATE	1			225489			
7	42831380060	PLATE	1				225488		
23	82460015111	CATCH (WITH KEY)	2				226142		
	82461015111	CATCH (WITH KEY)	2			226143			
24	82460015112	CATCH (WITHOUT KEY)	2				226142		
	82461015112	CATCH (WITHOUT KEY)	2			226143			
25	82464046115	GAS SPRING	2						
31	91910000400	KEY (NO.400)	2				226142		

**AT-141-1 42043120300 LOWER, MITSUBISHI FE337BHZ
PX1350192-01 TOOL BOX INSTALLATION**



FRONT ←



AT-141-1 42043120300 LOWER,MITSUBISHI FE337BHZ

Pos No.	Parts No	Parts Name	Qty	Unit	Technical Data	Serial No (Start)	Serial No (End)
1	42831017510	DOOR ASSY (SET 1,15,17,25)	1				
15	82461015111	CATCH (WITH KEY)	2				
31	82461015112	CATCH (WITHOUT KEY)	1				
50	42831011000	BOX,TOOL (LEFT,WITH JIB SUPPORT)	1				

AT-141-1 42043120300 LOWER,MITSUBISHI FE337BHZ

Pos No.	Parts No	Parts Name	Qty	Unit	Technical Data	Serial No (Start)	Serial No (End)	Remarks	P
7	42833077570	HINGE SET	2						
8	42833077580	HINGE SET	2						
9	42833157580	PIN	4						
10	82461015111	CATCH (WITH KEY)	2						
11	82461015112	CATCH (WITHOUT KEY)	2						
12	82466115200	CATCH	1						
13	42832327590	STAY (WITH STOPPER)	1						
14	82464110007	HINGE	2						
16	80192435010	SCREW,MACHINE	12		M5X10				
17	80192435016	SCREW,MACHINE	16		M5X16				
18	80192484016	SCREW,MACHINE	5		M4X16				
19	80175805008	SCREW,MACHINE	8		M5X8				
20	80172805008	SCREW,MACHINE	4		M5X8				
21	80175803010	SCREW,MACHINE	5		M3X8				
100	42832321000	BOX,TOOL (LEFT)	1						

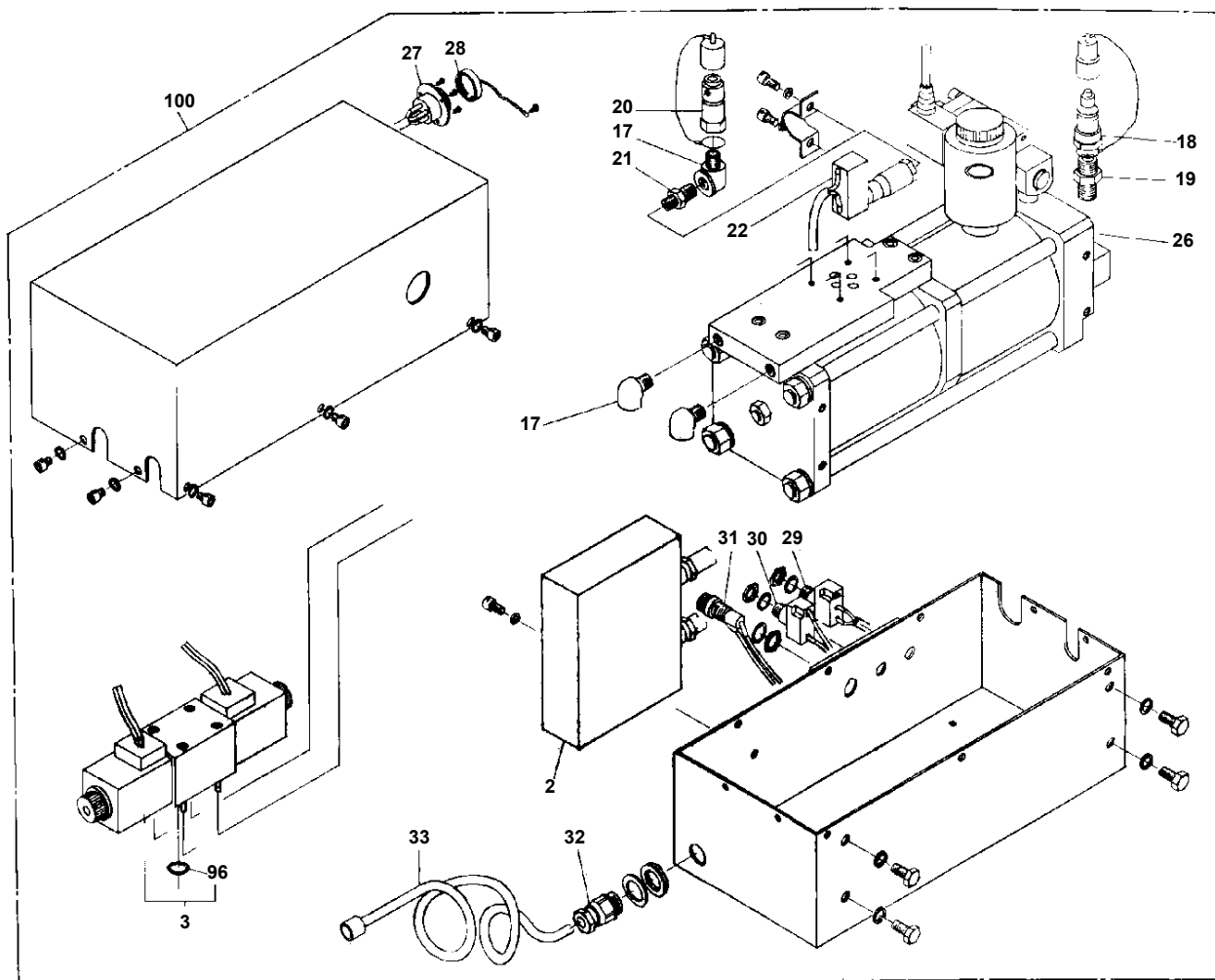
AT-141-1 42043120300 LOWER,MITSUBISHI FE337BHZ

Pos No.	Parts No	Parts Name	Qty	Unit	Technical Data	Serial No (Start)	Serial No (End)	Remarks	Pages
1	(*****)	BOX, TOOL (LEFT)	1						00006
2	(*****)	STEP INSTALLATION	1			225283			00004

AT-141-1 42043120300 LOWER,MITSUBISHI FE337BHZ

Pos No.	Parts No	Parts Name	Qty	Unit	Technical Data	Serial No (Start)	Serial No (End)	Remarks	Pages
1	90925040161	SCREW,TAPPING	1		M4X16				
2	90302040401	WASHER,SPRING	1		4				
3	42780010180	CAP	1						
4	42780160100	SUPPORT	1						
5	90101208020	BOLT	1		M8X20				
6	42780160060	CABLE,BATTERY	1						
7	90302040801	WASHER,SPRING	2		8				
8	42781270100	SUPPORT	1						
9	90101210020	BOLT	5		M10X20		225570		
	90101210020	BOLT	4		M10X20	225571			
10	90302041001	WASHER,SPRING	5		10				
11	90201201000	NUT	5		M10				
12	90201200800	NUT	2		M8				
13	82459203000	NIPPLE,GREASE	2		C-PT1/8				
14	42781510010	PLATE	1			225571			
15	42781510020	PLATE	1			225571			
16	42781510030	PLATE	1			225571			
17	42781510040	PLATE	1			225571			
18	42781510050	PLATE	1			225571			
19	42781510060	PLATE	1			225571			
20	37000559760	PLATE	1			225571			
21	90101510025	BOLT	2		M10X25	225571			
22	37000517620	PLATE	1						
23	90101208025	BOLT	1		M8X25				

**AT-141-1 42043120300 LOWER, MITSUBISHI FE337BHZ
PY1170009-00 BOOSTER**



AT-141-1 42043120300 LOWER,MITSUBISHI FE337BHZ

Pos No.	Parts No	Parts Name	Qty	Unit	Technical Data	Serial No (Start)	Serial No (End)	Remarks	Pages
4	42470847540	BOARD,PRINT	1						
10	42470847550	HARNESS	1						
11	42470847560	HARNESS	1						
30	42470842000	CONTROL UNIT	1						

CLICK HERE TO **DOWNLOAD** THE COMPLETE MANUAL

- Thank you very much for reading the preview of the manual.
- You can download the complete manual from: www.heydownloads.com by clicking the link below



- Please note: If there is no response to CLICKING the link, please download this PDF first and then click on it.

CLICK HERE TO **DOWNLOAD** THE COMPLETE MANUAL