

AT-121-3 43007330722 UPPER,LOWER,HINO TKG-XZU600X-TYTMC6

PB0000275-02 UPPER STRUCTURE SYSTEM

PB0000500-02 LOWER STRUCTURE SYSTEM

ASSEMBLY

CLICK HERE TO **DOWNLOAD** THE COMPLETE MANUAL

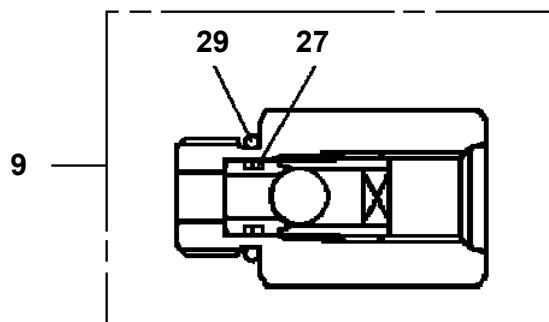
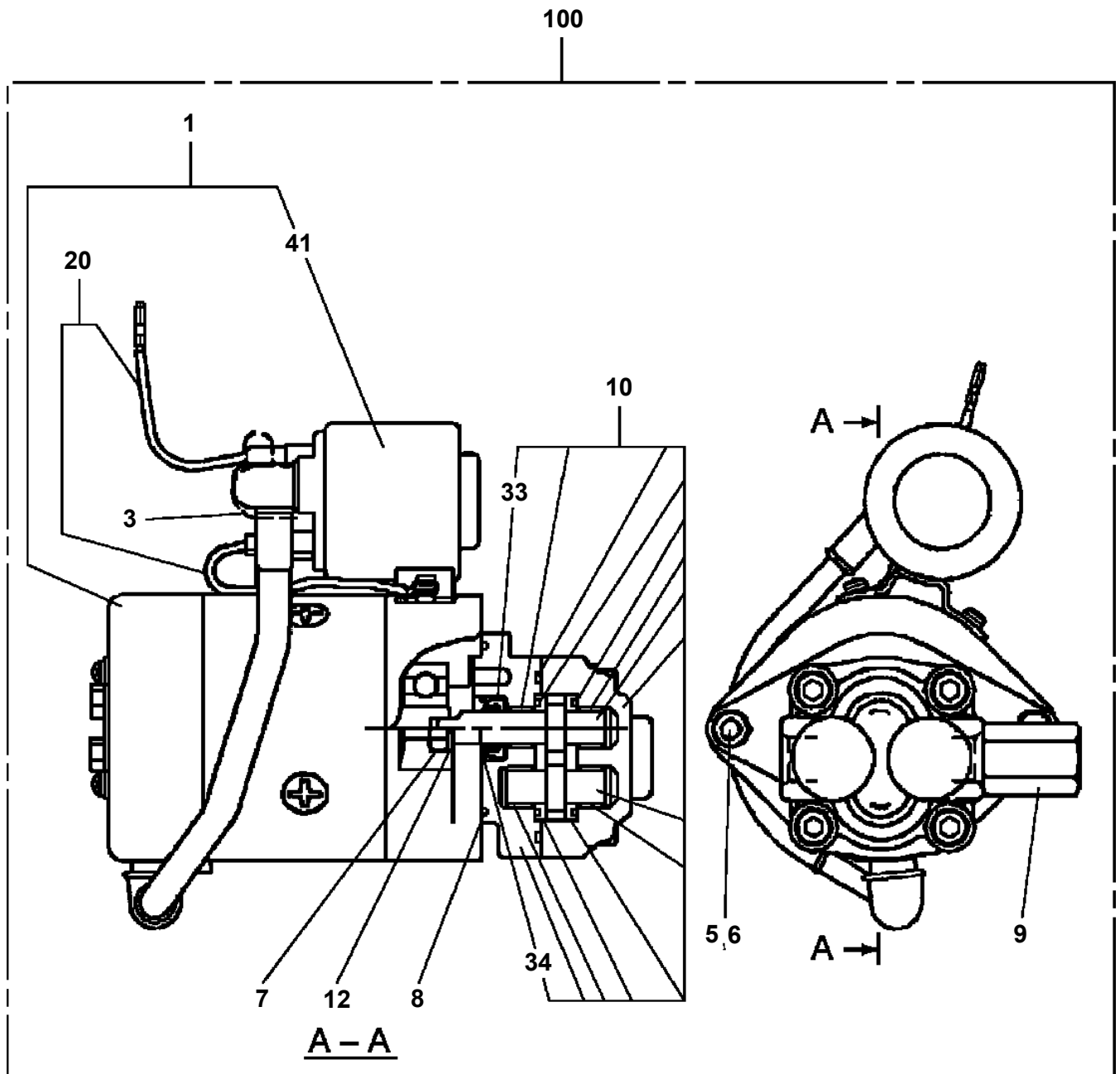
- Thank you very much for reading the preview of the manual.
- You can download the complete manual from: www.heydownloads.com by clicking the link below



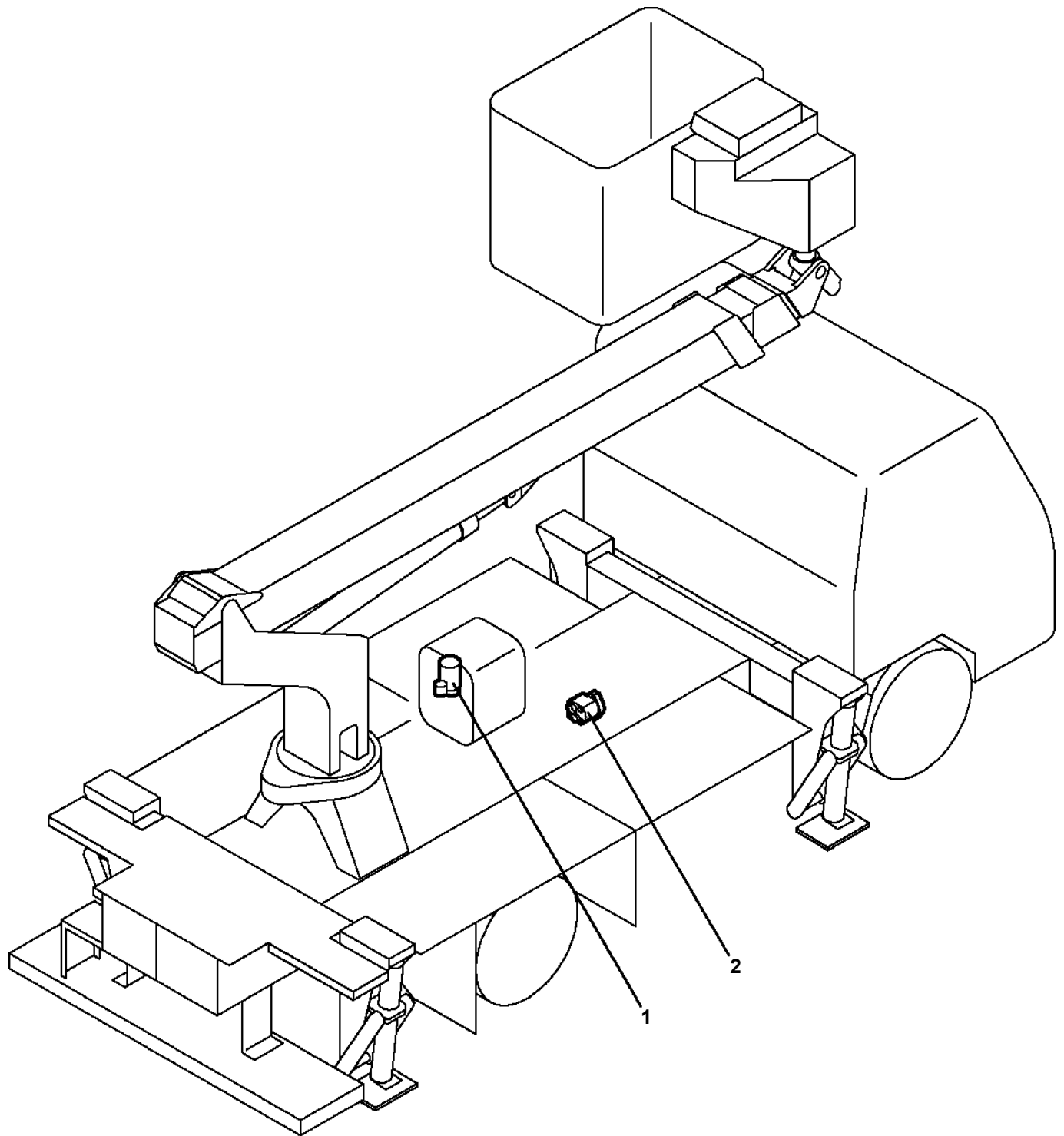
- Please note: If there is no response to CLICKING the link, please download this PDF first and then click on it.

CLICK HERE TO **DOWNLOAD** THE COMPLETE MANUAL

AT-121-3 43007330722 UPPER,LOWER,HINO TKG-XZU600X-TYTMC6
PB1100277-01 PUMP,HYDRAULIC



**AT-121-3 43007330722 UPPER,LOWER,HINO TKG-XZU600X-TYTMC6
PB3000304-00 POWER UNIT**



AT-121-3 43007330722 UPPER,LOWER,HINO TKG-XZU600X-TYTMC6

Pos No.	Parts No	Parts Name	Qty	Unit	Technical Data	Serial No (Start)	Serial No (End)	Remarks	Pages
1	42267351000	BUCKET	1						
2	42264200200	PLATE	2		T=1.0				
3	37000586760	WASHER,PLAIN	12		12				
4	90171112070	BOLT	6		M12X70				
5	90201781200	NUT	6		M12				
6	82440901050	PLUG	2		I-5/8				

AT-121-3 43007330722 UPPER,LOWER,HINO TKG-XZU600X-TYTMC6

Pos No.	Parts No	Parts Name	Qty	Unit	Technical Data	Serial No (Start)	Serial No (End)	Remarks	Pages
1	42443711000	COVER ASSY	1				HJ2783		
	42443711001	COVER ASSY	1			HJ2784			
2	42443710010	SUPPORT	1						
3	90303070801	WASHER,PLAIN	9		8				
4	37000506550	PLATE	2		T=1.6				
5	90302040801	WASHER,SPRING	13		8				
6	90101208016	BOLT	13		M8X16				
7	82401800080	PLUG (FOR M8)	8				HJ2853		
	82401800080	PLUG (FOR M8)	12			HJ2854	HJ3170		
	82401800080	PLUG (FOR M8)	14			HJ3171			
21	42443711100	COVER	1						
22	42443711200	COVER	1				HJ2783		
	42443711201	COVER	1			HJ2784			
23	82464107813	HINGE	2						
24	82400000393	INSULATOR	1						
25	80172804016	SCREW,MACHINE	1		M4X16				
28	80172804010	SCREW,MACHINE	12		M4X10				
29	90302510401	WASHER,SPRING	13		4				
30	90201500400	NUT	13		M4				
36	42268773010	PLATE	4			HJ3000			

AT-121-3 43007330722 UPPER,LOWER,HINO TKG-XZU600X-TYTMC6

Pos No.	Parts No	Parts Name	Qty	Unit	Technical Data	Serial No (Start)	Serial No (End)	Remarks	Pages
1	42507990100	COVER	1				HJ2592		
	42507990101	COVER	1			HJ2593			
2	42507990020	SUPPORT	2				HJ2592		
	42507990021	SUPPORT	2			HJ2593			
3	90201200800	NUT	9		M8				
4	90302040801	WASHER,SPRING	15		8				
5	37000553000	PLATE	15						
6	37000517380	PLATE	4		T=2.3 TO 3.2				
7	42509380010	SUPPORT	2						
8	90101208016	BOLT	6		M8X16				
10	42509380100	COVER	1				HJ2592		
	42509380101	COVER	1			HJ2593			

AT-121-3 43007330722 UPPER,LOWER,HINO TKG-XZU600X-TYTMC6

Pos No.	Parts No	Parts Name	Qty	Unit	Technical Data	Serial No (Start)	Serial No (End)
1	36028371000	CYLINDER	1				
2	36026159530	COVER,ROD	1				
3	80612110400	RING,RITAINING	1		AR40		
4	91002907000	O-RING	1		1B G70		
5	80801003525	BEARING,PLAIN	1				
6	91694003500	PACKING	1				
7	91410203501	RING,BACKUP	1				
8	91660003501	SEAL,DUST	1				
9	91002907500	O-RING	1		1B G75		
10	90302042401	WASHER,SPRING	1		24		
11	90209402400	NUT	1		M24		
12	36028370010	PISTON	1				
13	91002802000	O-RING	1		1B P20		
14	36028379510	ROD ASSY	1				
15	90303072401	WASHER,PLAIN	1		24		
16	82455106000	NIPPLE,GREASE	1		A-M6F FE		
17	91350207500	BEARING,PLAIN (WITH PACKINGX2)	1				
18	80541700030	BEARING,SPHERICAL (NTN)	1		SA4-30B		
50	36026489900	PACKING SET	1		35X75		
100	36028370000	CYLINDER ASSY,LEVELING (LOWER)	1				

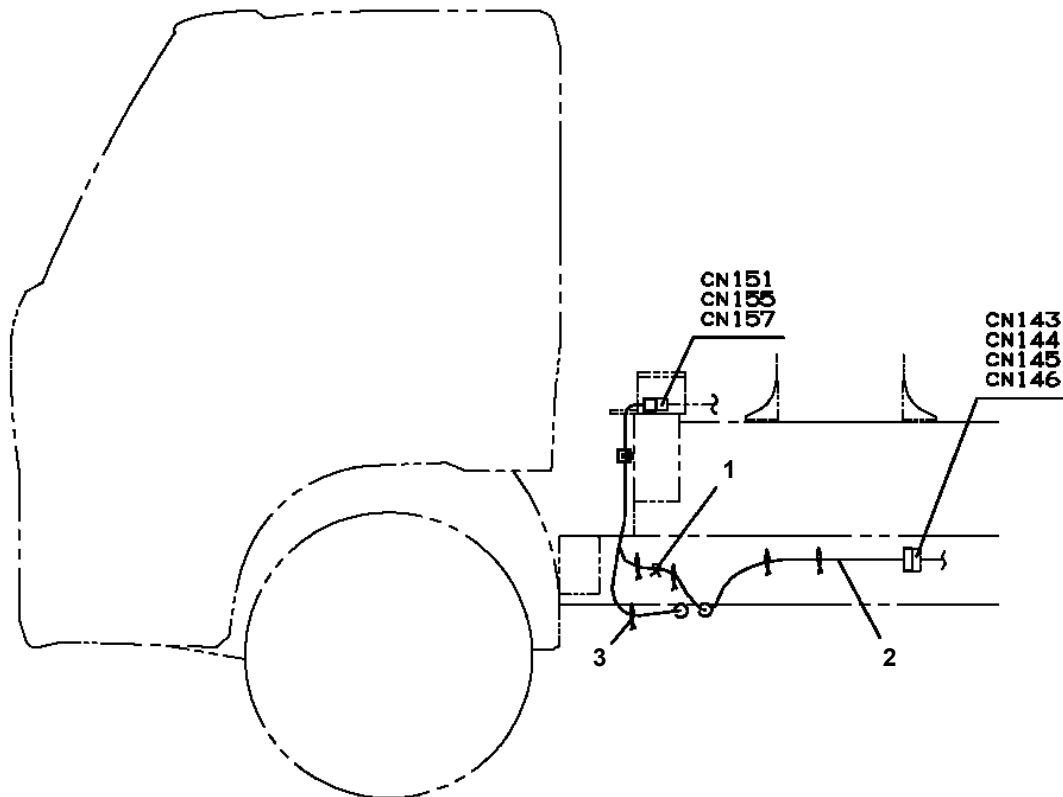
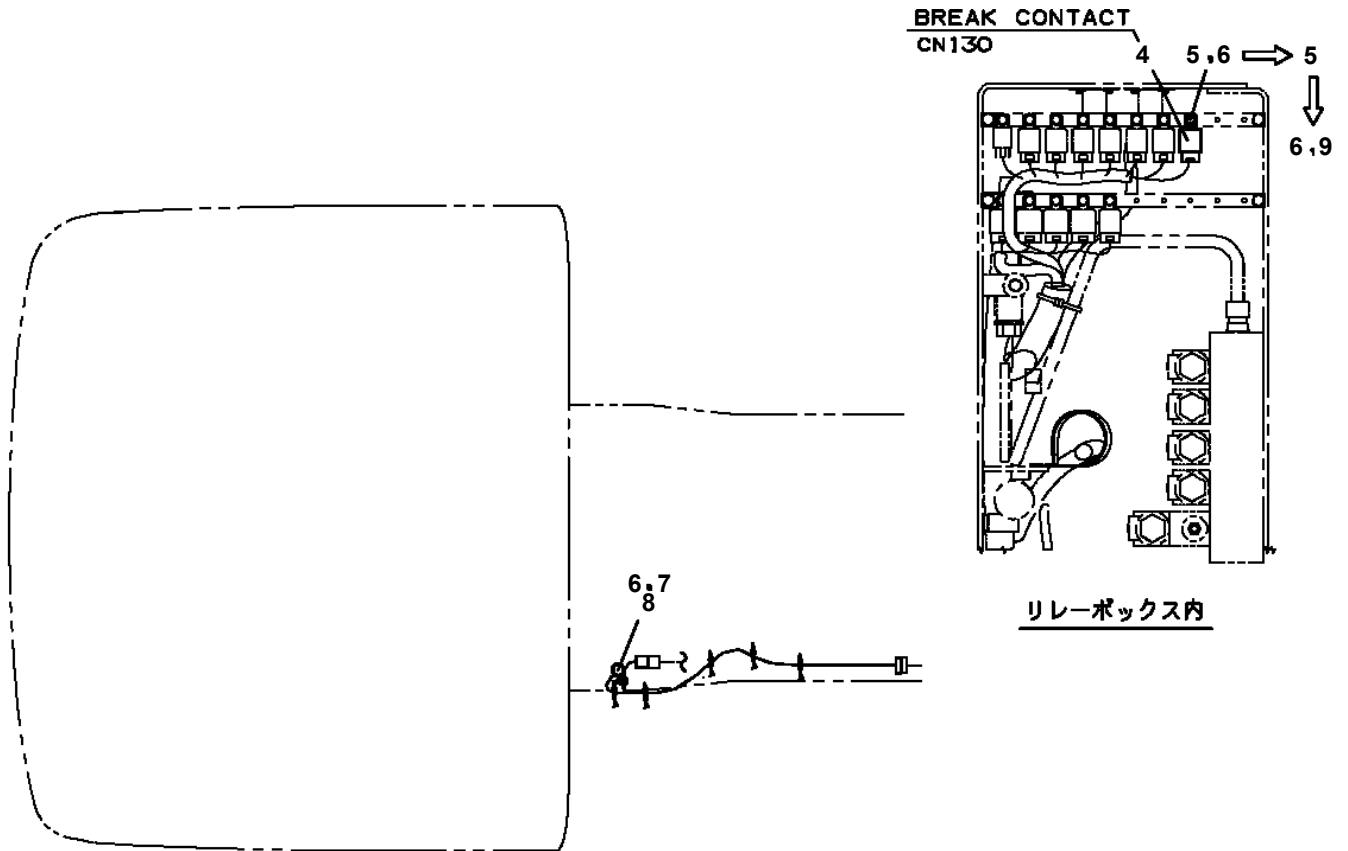
AT-121-3 43007330722 UPPER,LOWER,HINO TKG-XZU600X-TYTMC6

Pos No.	Parts No	Parts Name	Qty	Unit	Technical Data	Serial No (Start)	Serial No (End)
1	(*****)	SWING FRAME ASSY	1				
2	(*****)	REDUCER,SWING SPEED (MOUNT)	1				
3	(*****)	DERRICK ASSY	1				
4	(*****)	PIPING ASSY,SWING FRAME	1				
5	(*****)	ELEC.ASSY,SWING FRAME	1				
6	(*****)	MOUNT ASSY,SWIVEL JOINT	1				
7	36028370000	CYLINDER ASSY,LEVELING (LOWER)	1				

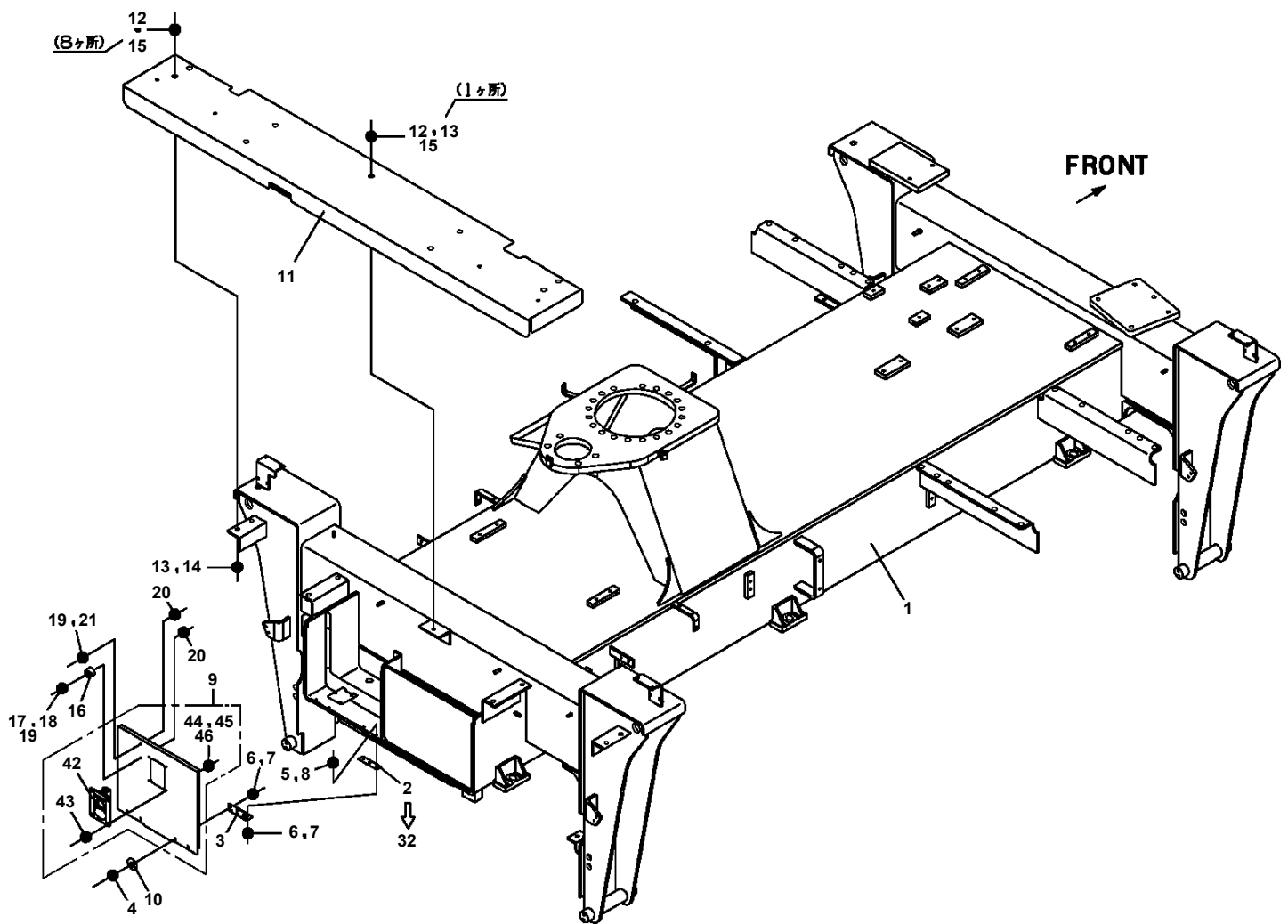
AT-121-3 43007330722 UPPER,LOWER,HINO TKG-XZU600X-TYTMC6

Pos No.	Parts No	Parts Name	Qty	Unit	Technical Data	Serial No (Start)	Serial No
1	42654640300	HARNESS (REAR JACK EXTEND/STOWING)	1				
2	91810132530	FASTENER	20				
3	37000505660	PLATE	2				
4	42508603100	COVER	2				
5	42508603200	SUPPORT	2				
6	82108501210	SWITCH	2				
7	82100002006	CLAMP	2		WR10		
8	90101208016	BOLT	4		M8X16		
9	90302040801	WASHER,SPRING	4		8		
10	90101206012	BOLT	6		M6X12		
11	90302040601	WASHER,SPRING	6		6		
12	90303070601	WASHER,PLAIN	4		6		

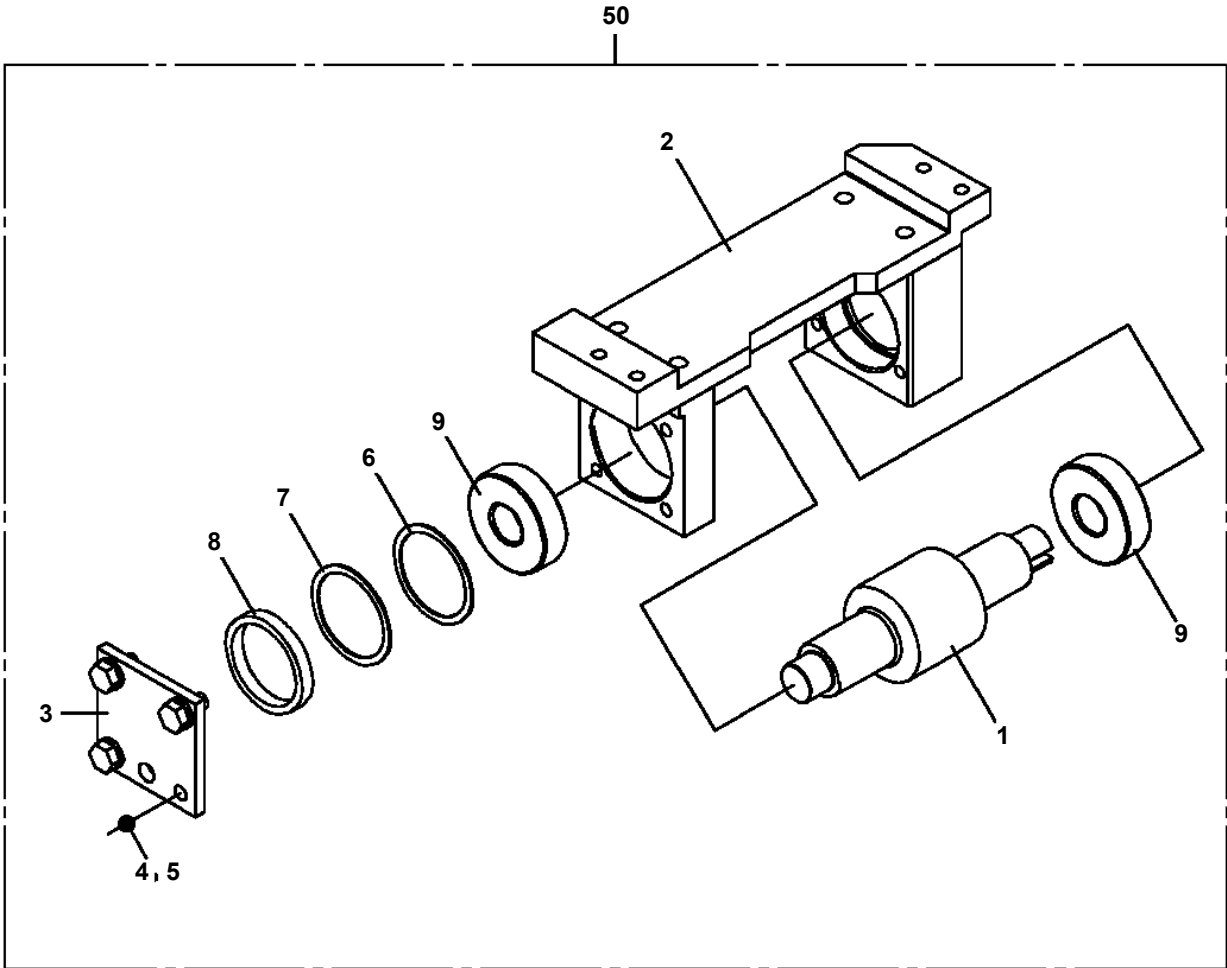
AT-121-3 43007330722 UPPER,LOWER,HINO TKG-XZU600X-TYTMC6
 PE5070038-02 ELEC.ASSY,CARRIER (POWER SAVING RELAY)



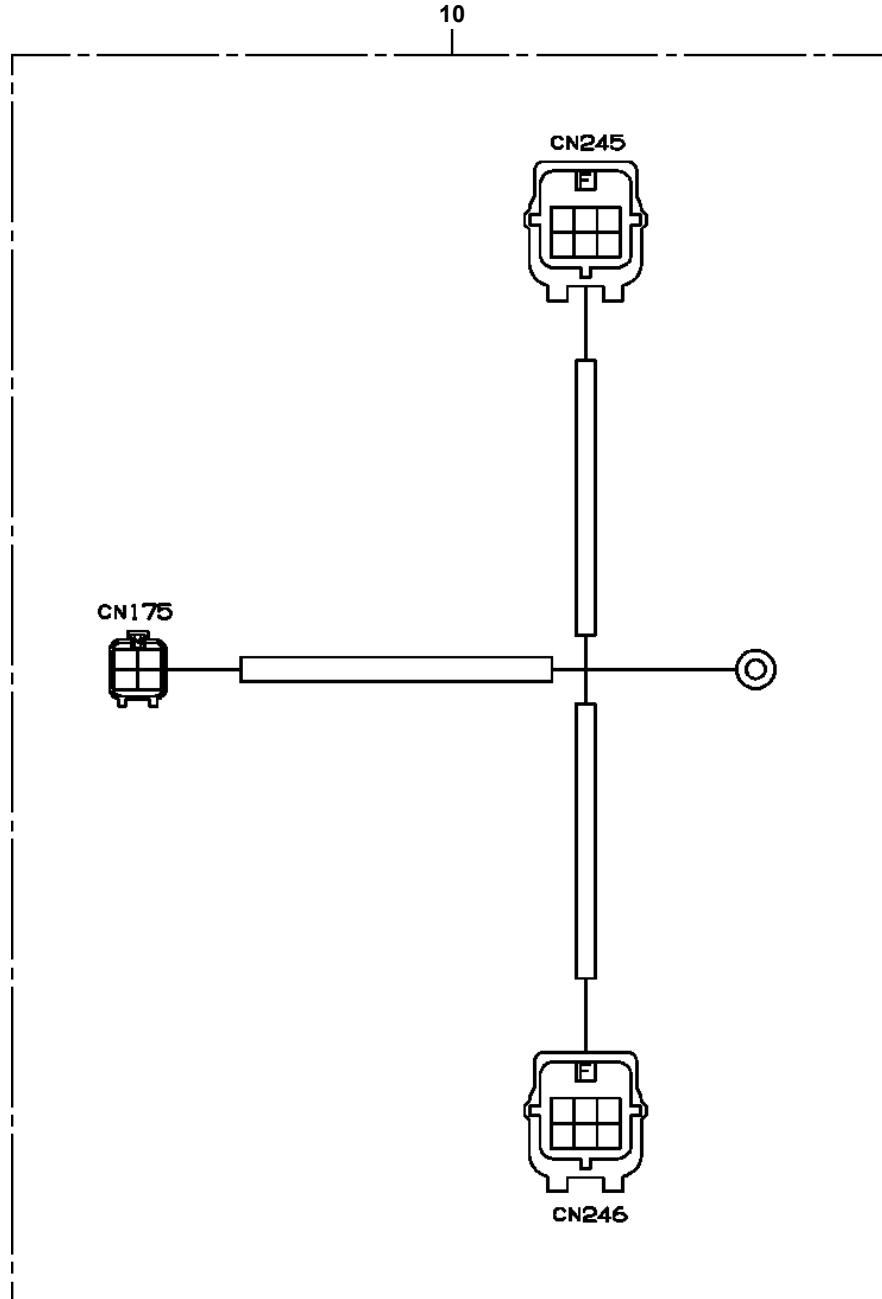
AT-121-3 43007330722 UPPER,LOWER,HINO TKG-XZU600X-TYTMC6
PF5100129-01 FRAME ASSY



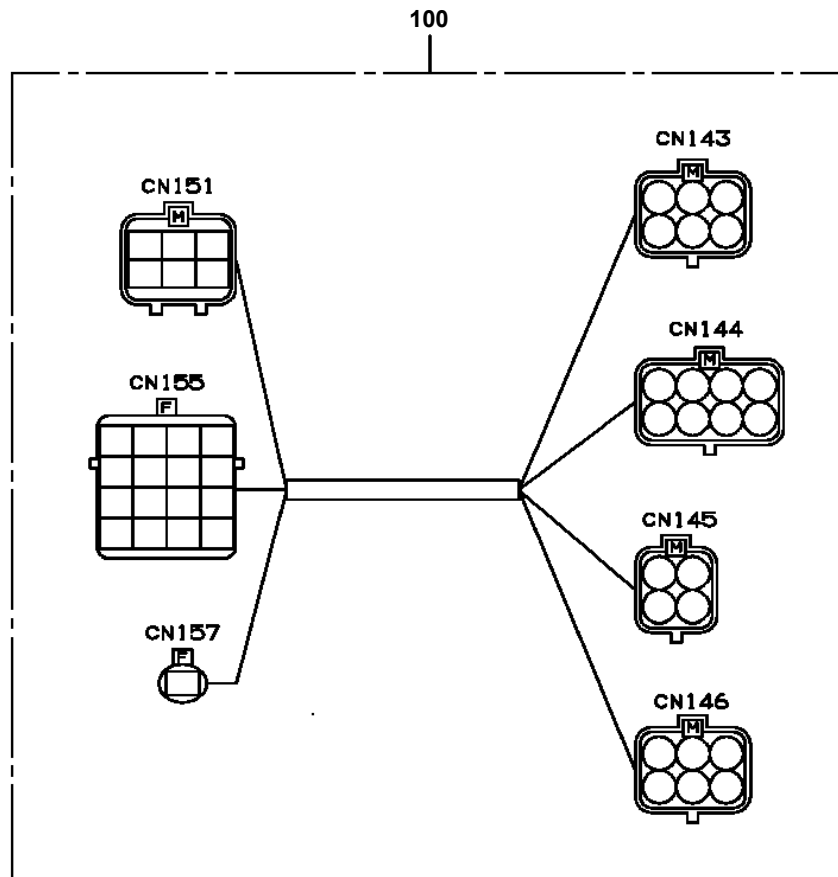
AT-121-3 43007330722 UPPER,LOWER,HINO TKG-XZU600X-TYTMC6
PG5090002-00 GEAR ASSY



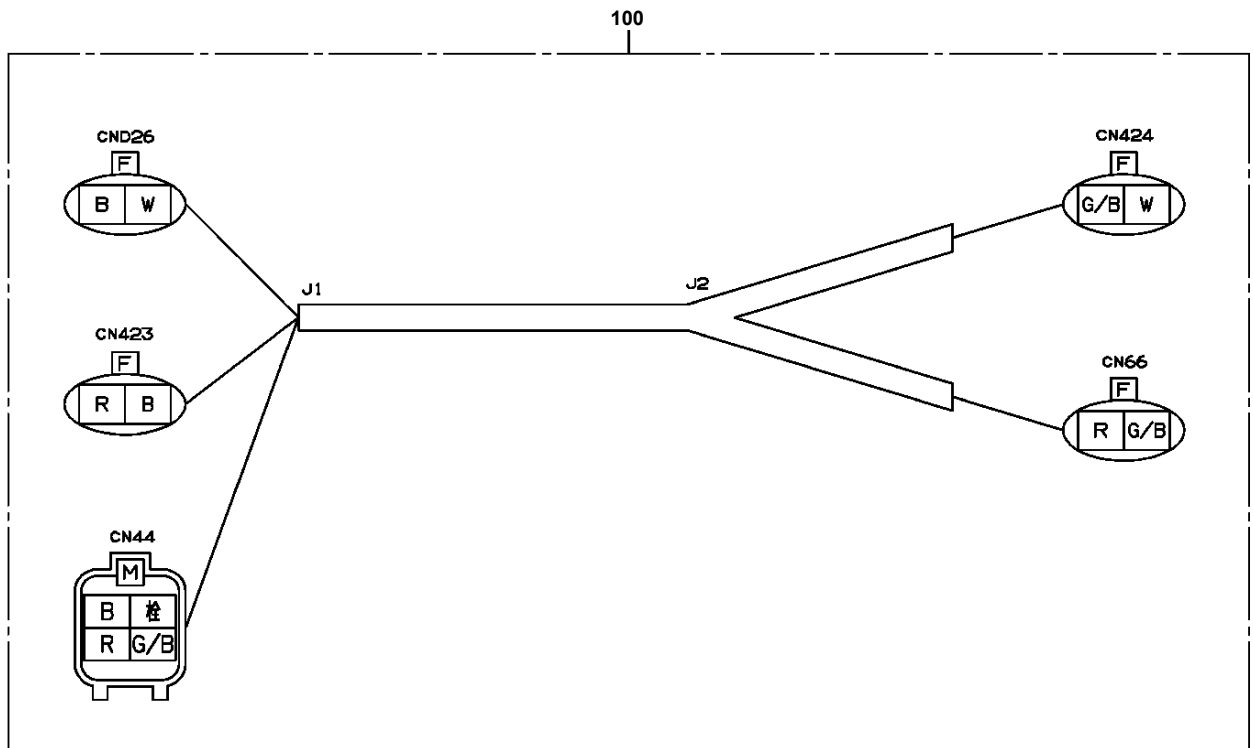
**AT-121-3 43007330722 UPPER,LOWER,HINO TKG-XZU600X-TYTMC6
PH5030257-00 HARNESS (FRONT JACK EXTEND/STOWING)**



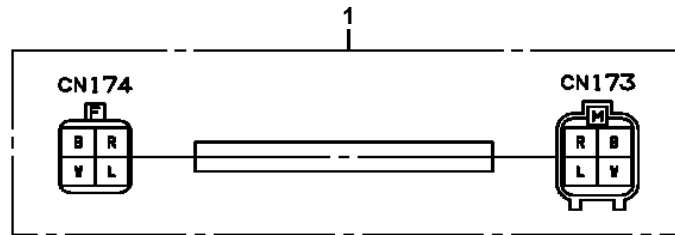
AT-121-3 43007330722 UPPER,LOWER,HINO TKG-XZU600X-TYTMC6
PH5030429-00 HARNESS



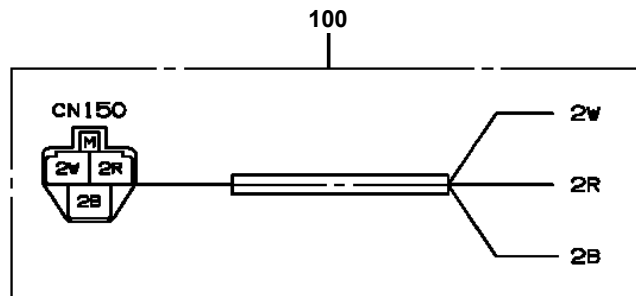
AT-121-3 43007330722 UPPER,LOWER,HINO TKG-XZU600X-TYTMC6
PH5030828-00 HARNESS



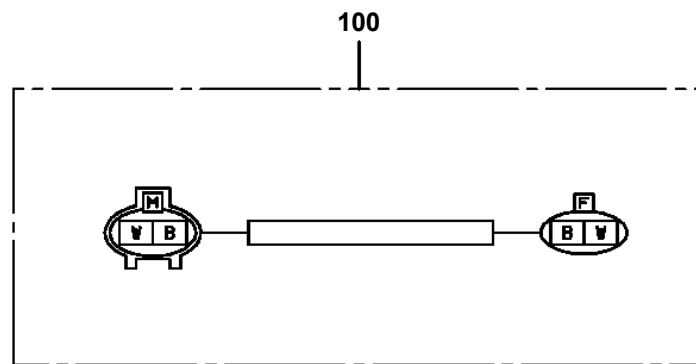
**AT-121-3 43007330722 UPPER,LOWER,HINO TKG-XZU600X-TYTMC6
PH5031385-00 HARNESS (L=1060)**



AT-121-3 43007330722 UPPER,LOWER,HINO TKG-XZU600X-TYTMC6
PH5032272-00 HARNESS

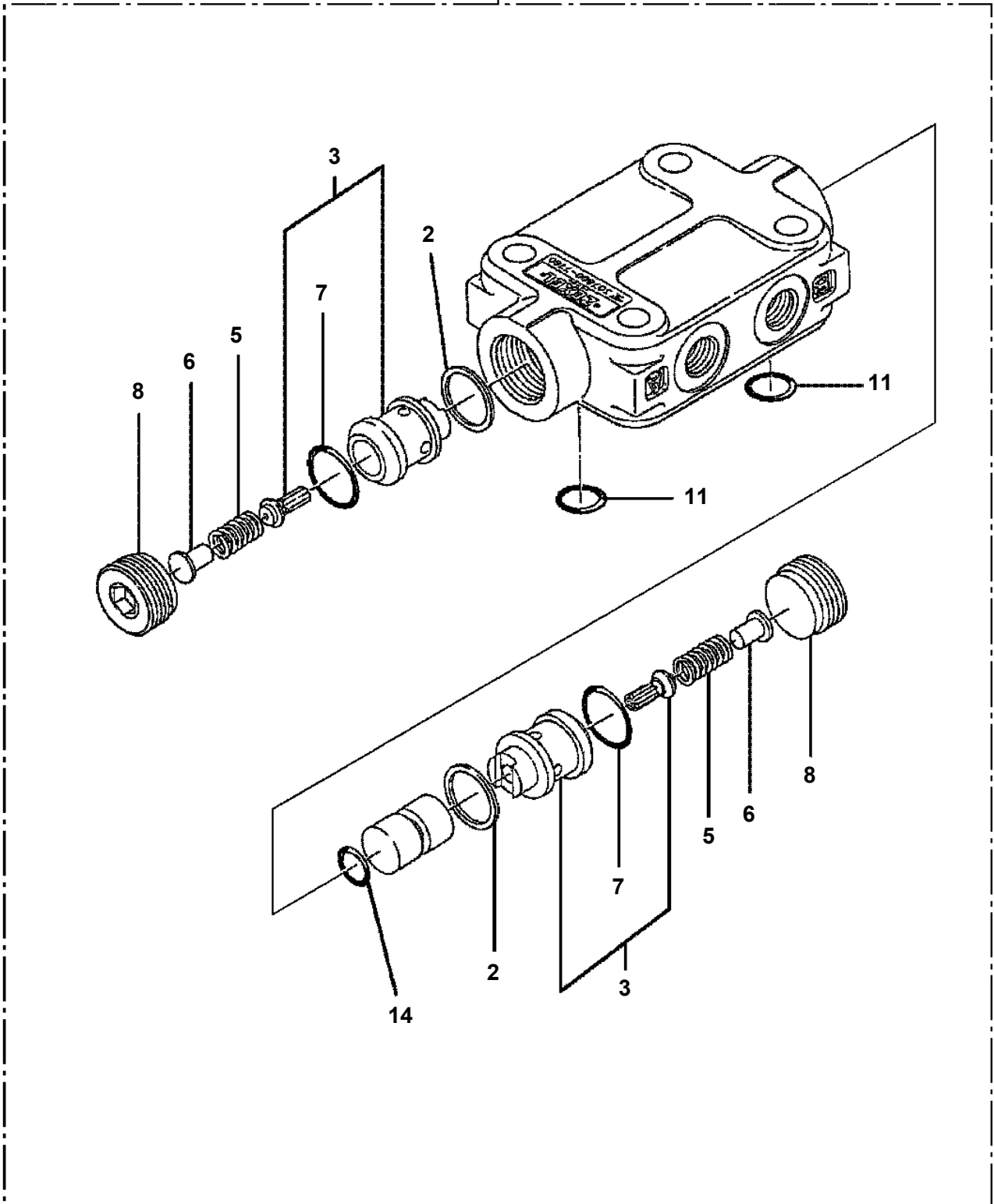


AT-121-3 43007330722 UPPER,LOWER,HINO TKG-XZU600X-TYTMC6
PH5034171-00 HARNESS



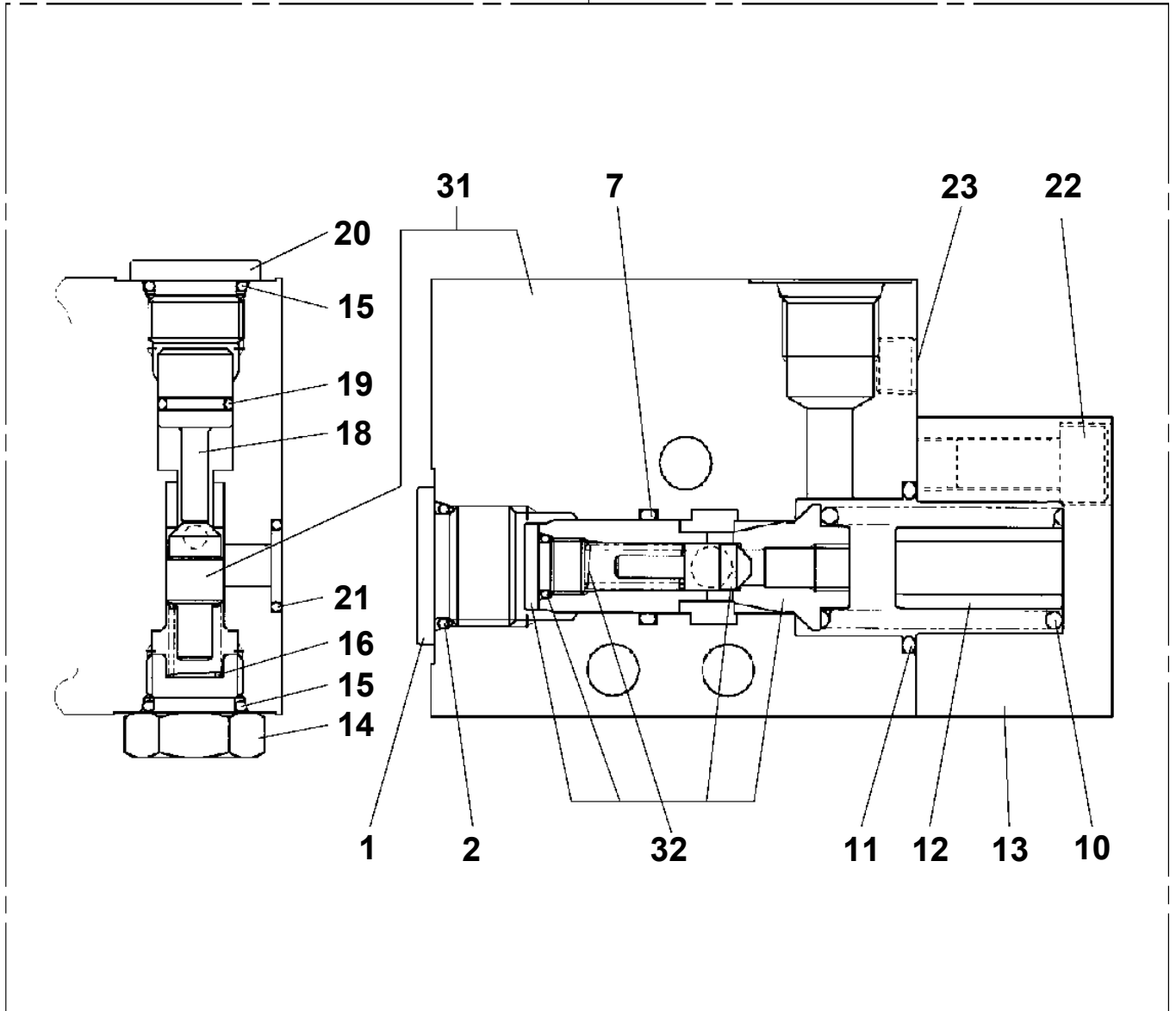
AT-121-3 43007330722 UPPER,LOWER,HINO TKG-XZU600X-TYTMC6
PI1140133-01 VALVE,CHECK

100 → (A)



AT-121-3 43007330722 UPPER,LOWER,HINO TKG-XZU600X-TYTMC6
PI1250137-00 VALVE,COUNTERBALANCE

50



CLICK HERE TO **DOWNLOAD** THE COMPLETE MANUAL

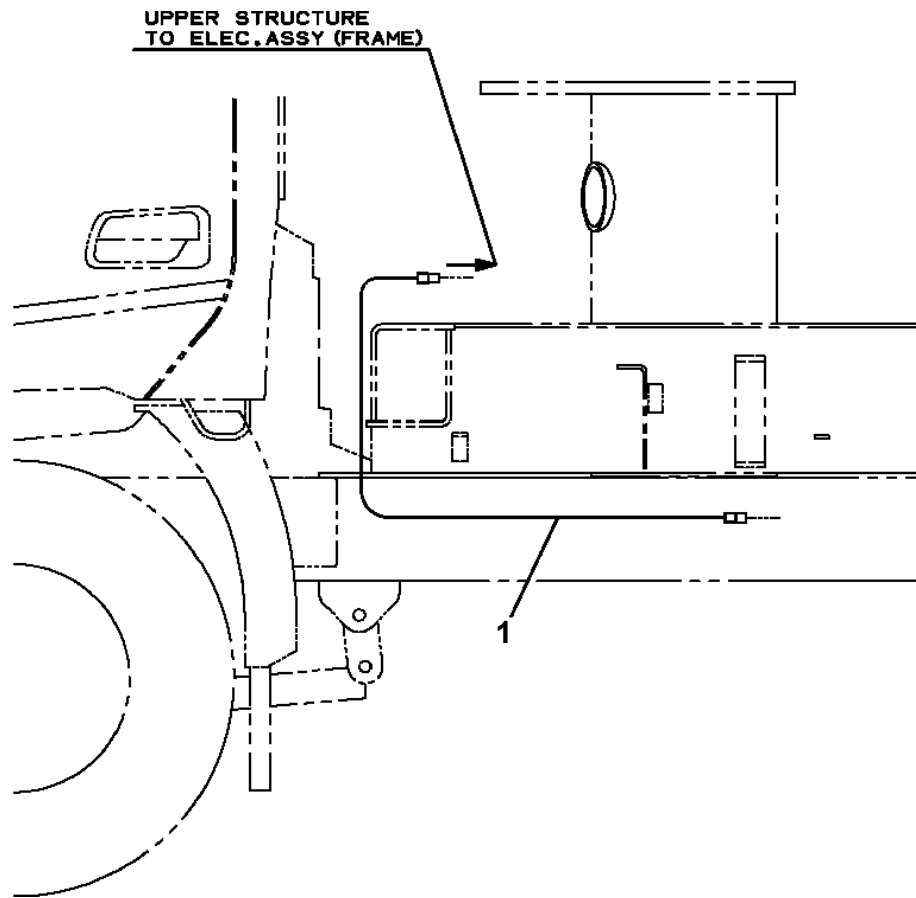
- Thank you very much for reading the preview of the manual.
- You can download the complete manual from: www.heydownloads.com by clicking the link below



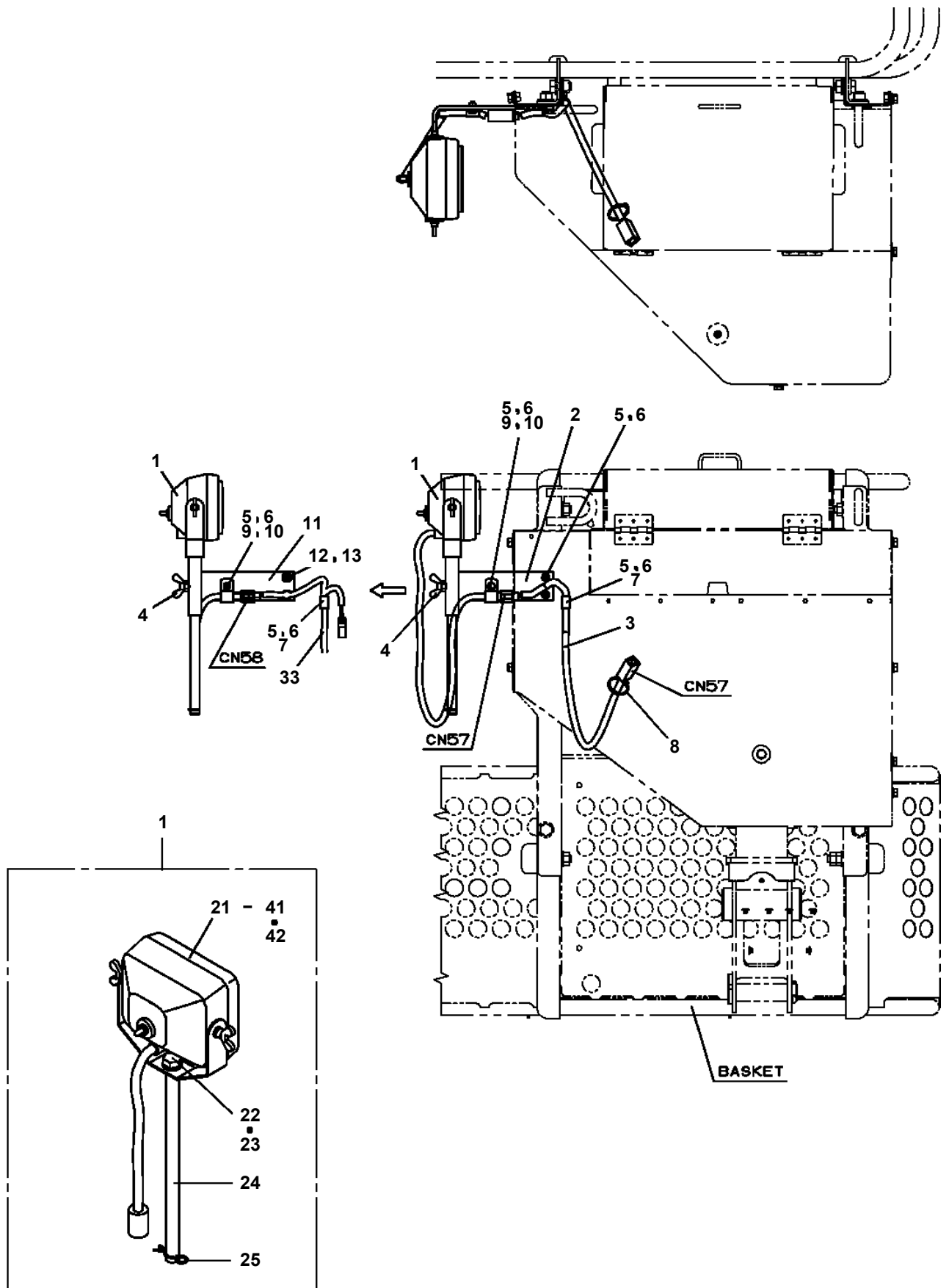
- Please note: If there is no response to CLICKING the link, please download this PDF first and then click on it.

CLICK HERE TO **DOWNLOAD** THE COMPLETE MANUAL

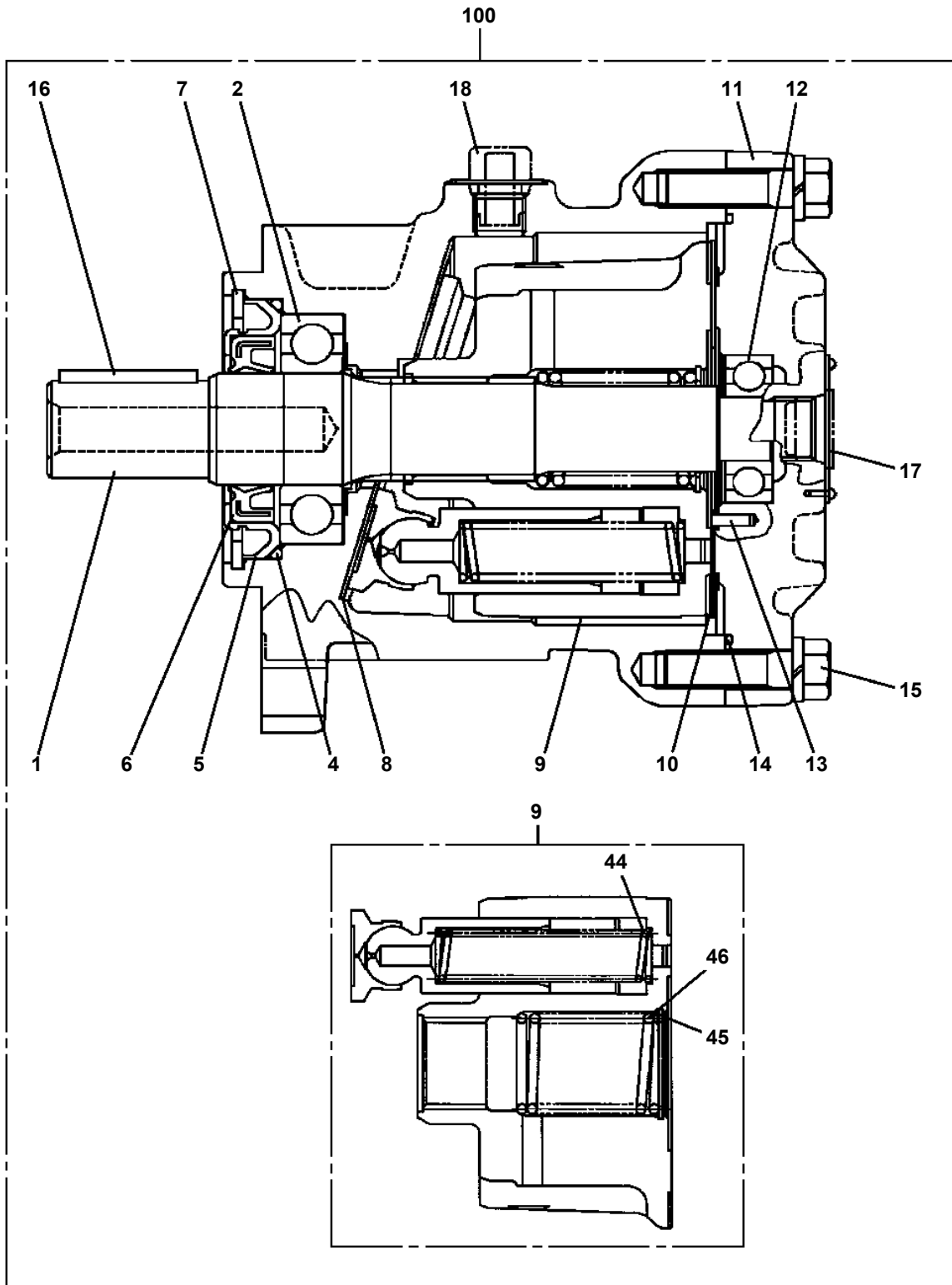
AT-121-3 43007330722 UPPER,LOWER,HINO TKG-XZU600X-TYTMC6
PL1031085-00 OPE.ASSY,ACCELERATOR



AT-121-3 43007330722 UPPER,LOWER,HINO TKG-XZU600X-TYTMC6
PL5140003-02 LAMP ASSY,WORKING (BASKET:HALOGEN)



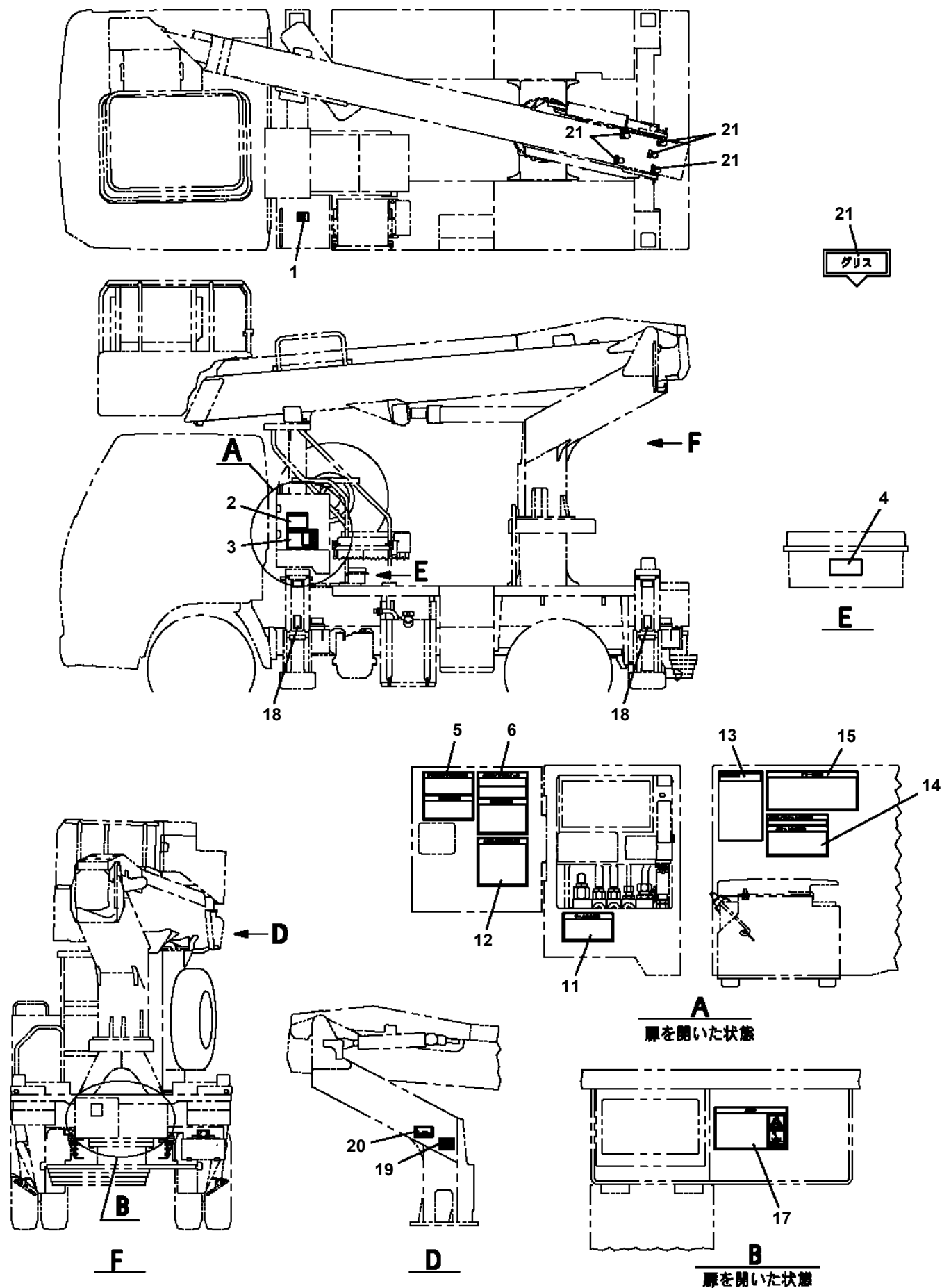
AT-121-3 43007330722 UPPER,LOWER,HINO TKG-XZU600X-TYTMC6
PM5230001-01 MOTOR,OIL



AT-121-3 43007330722 UPPER,LOWER,HINO TKG-XZU600X-TYTMC6

Pos No.	Parts No	Parts Name	Qty	Unit	Technical Data	Serial No (Start)	Serial No (End)	Rem
3	90451700100	SCREW,TAPPING	4		M4X6.4			
4	42590222010	PLATE,NAME (FUSE)	1					
5	34393926540	PLATE (NON-SLIP)	2					
6	42420082550	PLATE (NON-SLIP)	1					
7	42394484010	PLATE (NON-SLIP)	1					
8	37002216230	PLATE,NAME (HIGH/LOW)	1					
21	37002228460	PLATE,NAME (BLUE & BLACK)	2					
22	37002228470	PLATE,NAME (WHITE & WHITE)	2					

AT-121-3 43007330722 UPPER,LOWER,HINO TKG-XZU600X-TYTMC6
 PN5011199-00 NAME PLATE ASSY (VEHICLE/MITSUBISHI)

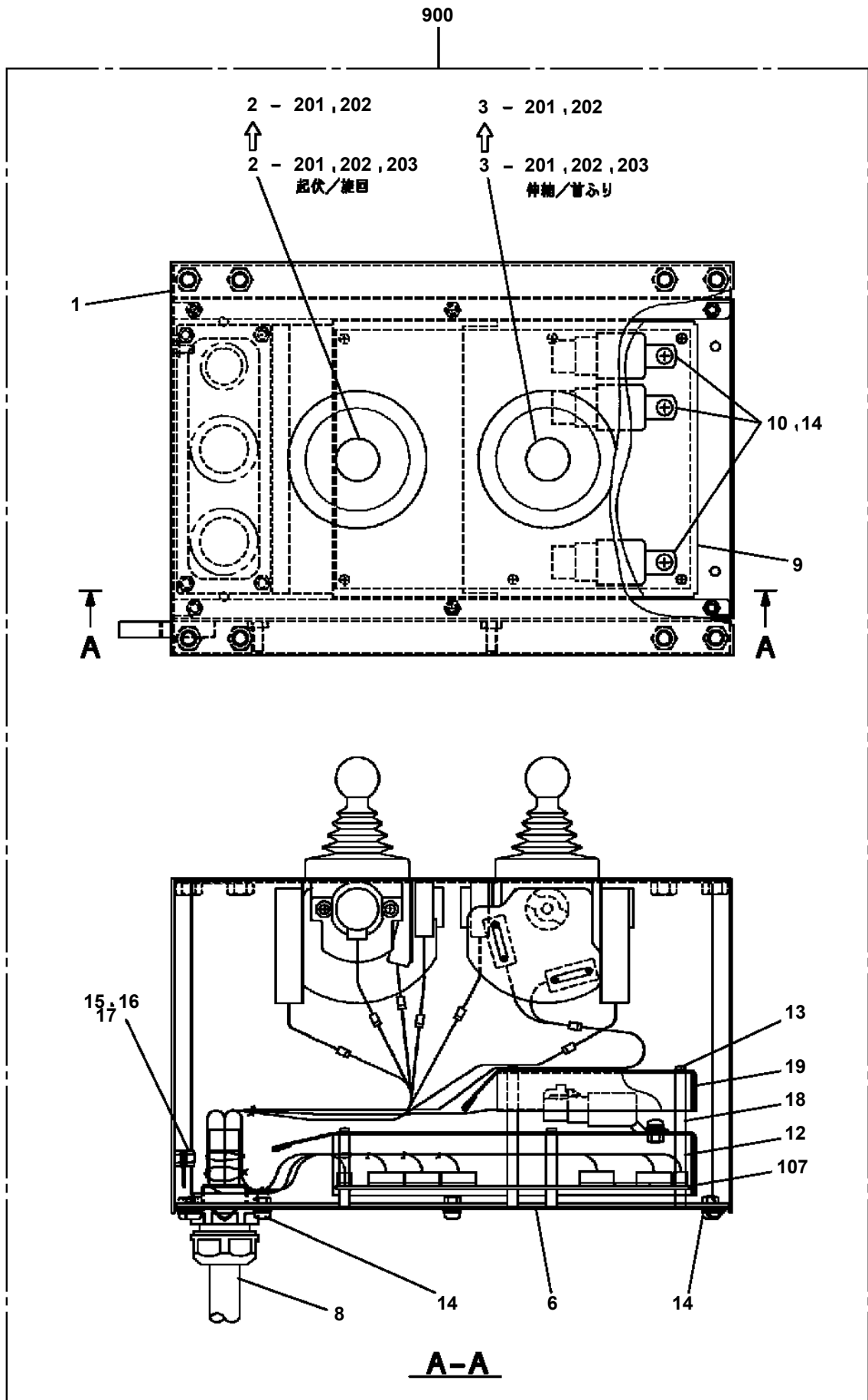


AT-121-3 43007330722 UPPER,LOWER,HINO TKG-XZU600X-TYTMC6
PO1000182-00 INDICATION PLATES (UPPER)

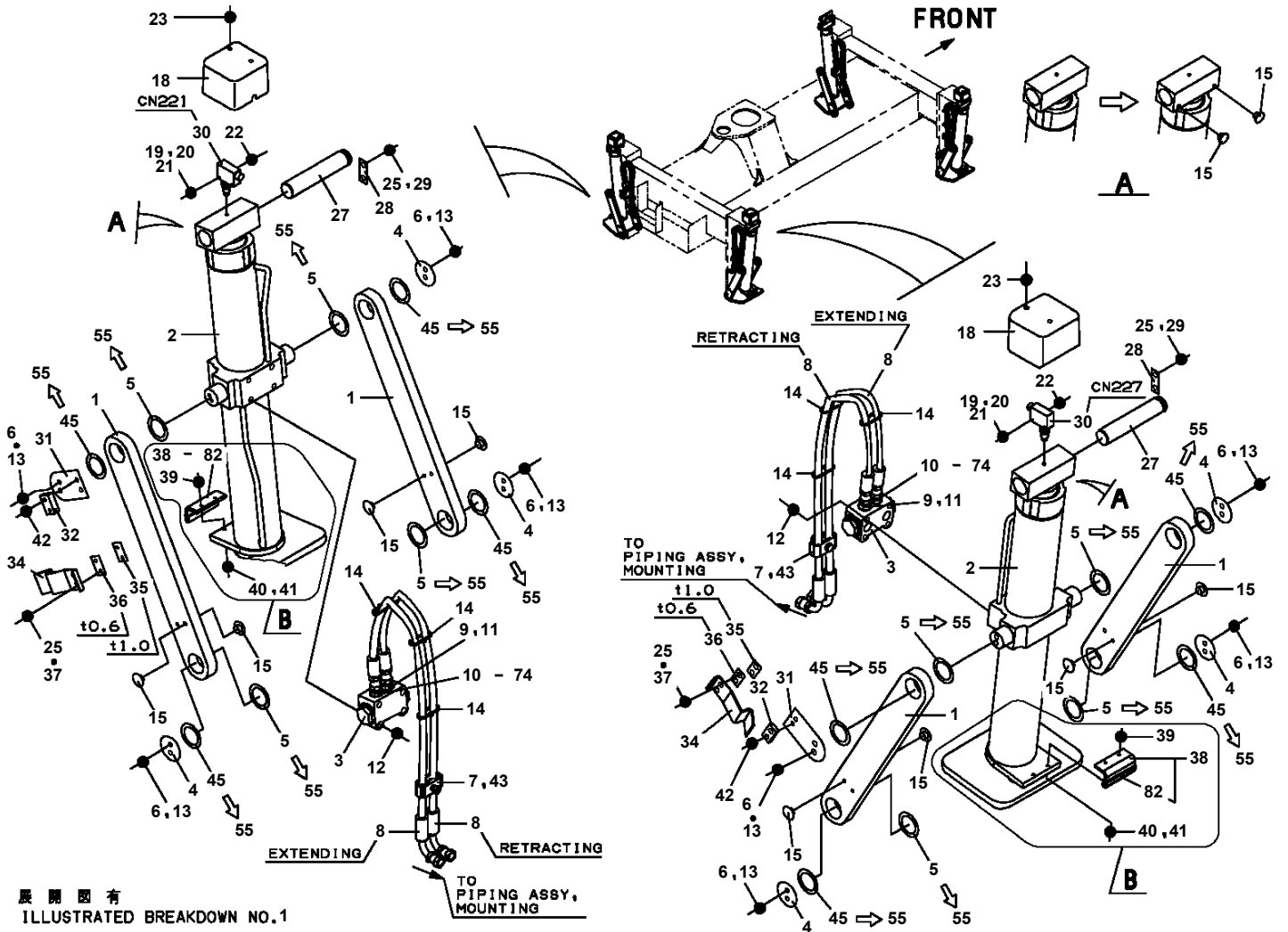
メイバン (シヨウフ)
INDICATION PLATES (UPPER)

【組立名称一覧】より選択してください。
SEE THE CORRESPONDING "ASSEMBLY NAME" LIST.

AT-121-3 43007330722 UPPER,LOWER,HINO TKG-XZU600X-TYTMC6
 PO5010003-03 OPE.ASSY



**AT-121-3 43007330722 UPPER,LOWER,HINO TKG-XZU600X-TYTMC6
PO5270085-02 OUTRIGGER ASSY**



展開圖有
ILLUSTRATED BREAKDOWN NO.1

AT-121-3 43007330722 UPPER,LOWER,HINO TKG-XZU600X-TYTM6

Pos No.	Parts No	Parts Name	Qty	Unit	Technical Data	Serial No (Start)	Serial No (End)	Remarks
1	42654793200	SUPPORT	2					
2	34354781740	RELAY	1					
3	90302040801	WASHER,SPRING	4		8			
4	90101206010	BOLT	14		M6X1.0			
5	34354781720	RELAY (WITH HARNESS)	2					
6	90303070301	WASHER,PLAIN	8		3			
7	82161324080	RELAY	1					
8	34354781730	RELAY	1					
9	42950564100	RELAY ASSY	1					
10	42651132400	RELAY ASSY	1					
11	80192483010	SCREW,MACHINE	4		M3X10			
12	82161300010	RELAY	1					
13	90101208014	BOLT	4		M8X14			
14	91810132530	FASTENER	5					
15	34354781710	RELAY (WITH BRACKET)	8					
16	80197585012	SCREW,MACHINE	1		M5X12			
17	90302040601	WASHER,SPRING	14		6			

AT-121-3 43007330722 UPPER,LOWER,HINO TKG-XZU600X-TYTMC6

Pos No.	Parts No	Parts Name	Qty	Unit	Technical Data	Serial No (Start)	Serial No (End)	Remarks
1	82108501210	SWITCH	1					
2	34354781710	RELAY (WITH BRACKET)	1					
3	90186206010	BOLT,FLANGE	4		M6X10			
4	90101210025	BOLT	5		M10X25			
5	90302041001	WASHER,SPRING	5		10			
6	90240201000	NUT,CAP	5		M10			
7	83152310608	SHACKLE	2					
8	90101206030	BOLT	2		M6X30			
9	90203200600	NUT	2		M6			
10	90102208055	BOLT	2		M8X55			
11	90202200800	NUT	2		M8			
12	90101208018	BOLT	2		M8X18			
13	90302040801	WASHER,SPRING	4		8			
14	90303070801	WASHER,PLAIN	2		8			
15	90101208014	BOLT	2		M8X14			
16	42510370100	SUPPORT	1					
17	42510370900	ROPE,WIRE	1					
18	42511380100	SUPPORT	1					
19	42510370400	COVER	1					
20	42511380200	COVER	1					
21	42510370600	HARNES	1					
22	91810130240	FASTENER	5					
23	42510371000	GUIDE ASSY	1					
24	42511382000	SUPPORT	1					
25	90101206016	BOLT	1		M6X16			
26	90302040601	WASHER,SPRING	2		6			
27	90201200600	NUT	2		M6			
28	82100002006	CLAMP	1		WR10			
29	42477840010	PLATE,NAME	1					
30	37000505950	PLATE	5		T=3.2			
31	82400000095	GROMMET	1					
51	42510371100	GUIDE,BLOCK	1					
52	42510371200	PIN	1					
53	44430561500	GUIDE	1					
54	37001201400	SPRING	1					
55	90172106040	BOLT,HEXAGON SOCKET	2		M6X40			

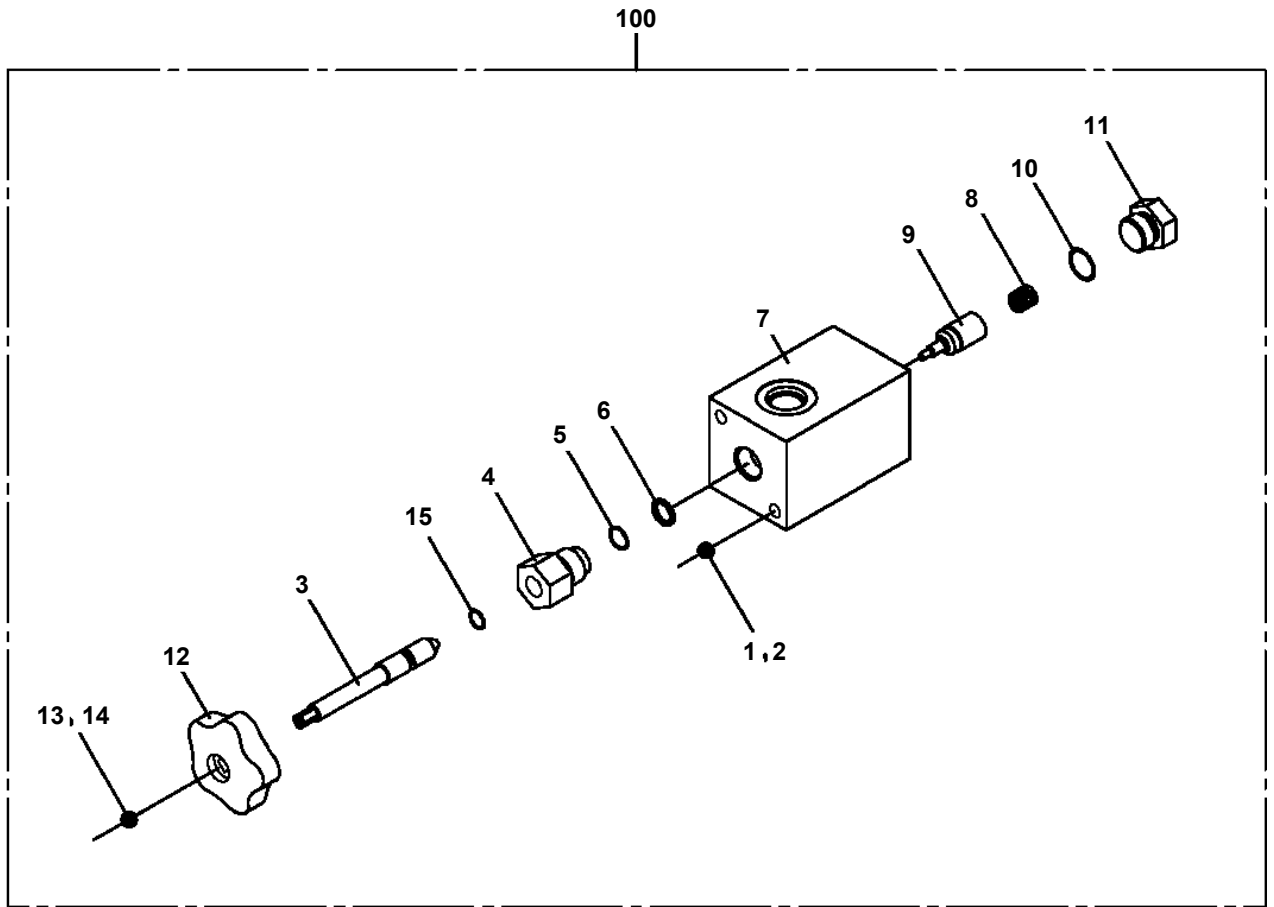
AT-121-3 43007330722 UPPER,LOWER,HINO TKG-XZU600X-TYTMC6

Pos No.	Parts No	Parts Name	Qty	Unit	Technical Data	Serial No (Start)	Serial No (End)
1	82105900060	SWITCH,TOGGLE	1				
2	82105220193	SWITCH,TOGGLE	1				
3	82105900010	SWITCH,TOGGLE	1				
10	42509311100	SWITCH ASSY (WITH HARNESS,3 SW)	1				

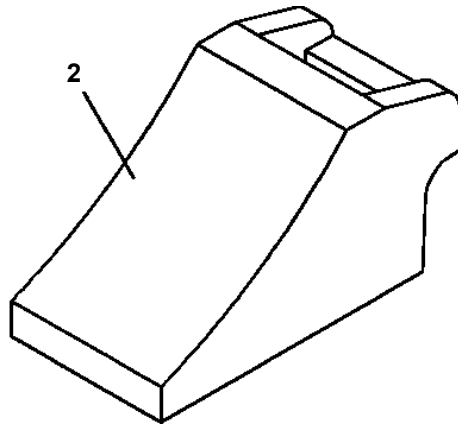
AT-121-3 43007330722 UPPER,LOWER,HINO TKG-XZU600X-TYTMC6

Pos No.	Parts No	Parts Name	Qty	Unit	Technical Data	Serial No (Start)	Serial No (End)	Remarks	Pages
1	42503380000	CABLE (3 POLE)	1						

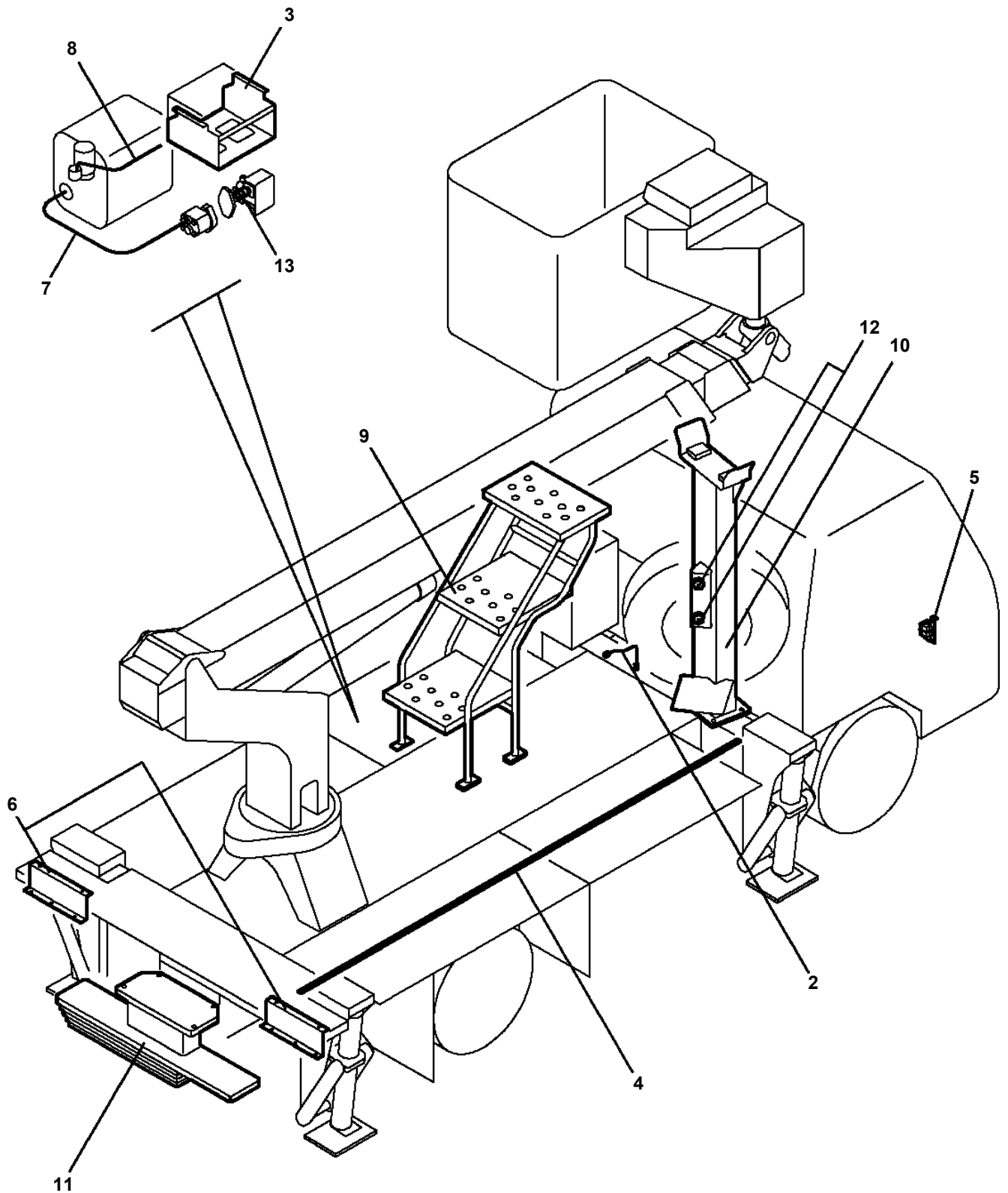
AT-121-3 43007330722 UPPER,LOWER,HINO TKG-XZU600X-TYTMC6
PV5170018-00 VALVE ASSY,SELECTOR



AT-121-3 43007330722 UPPER,LOWER,HINO TKG-XZU600X-TYTMC6
PW1050011-00 STOPPER,TIRE



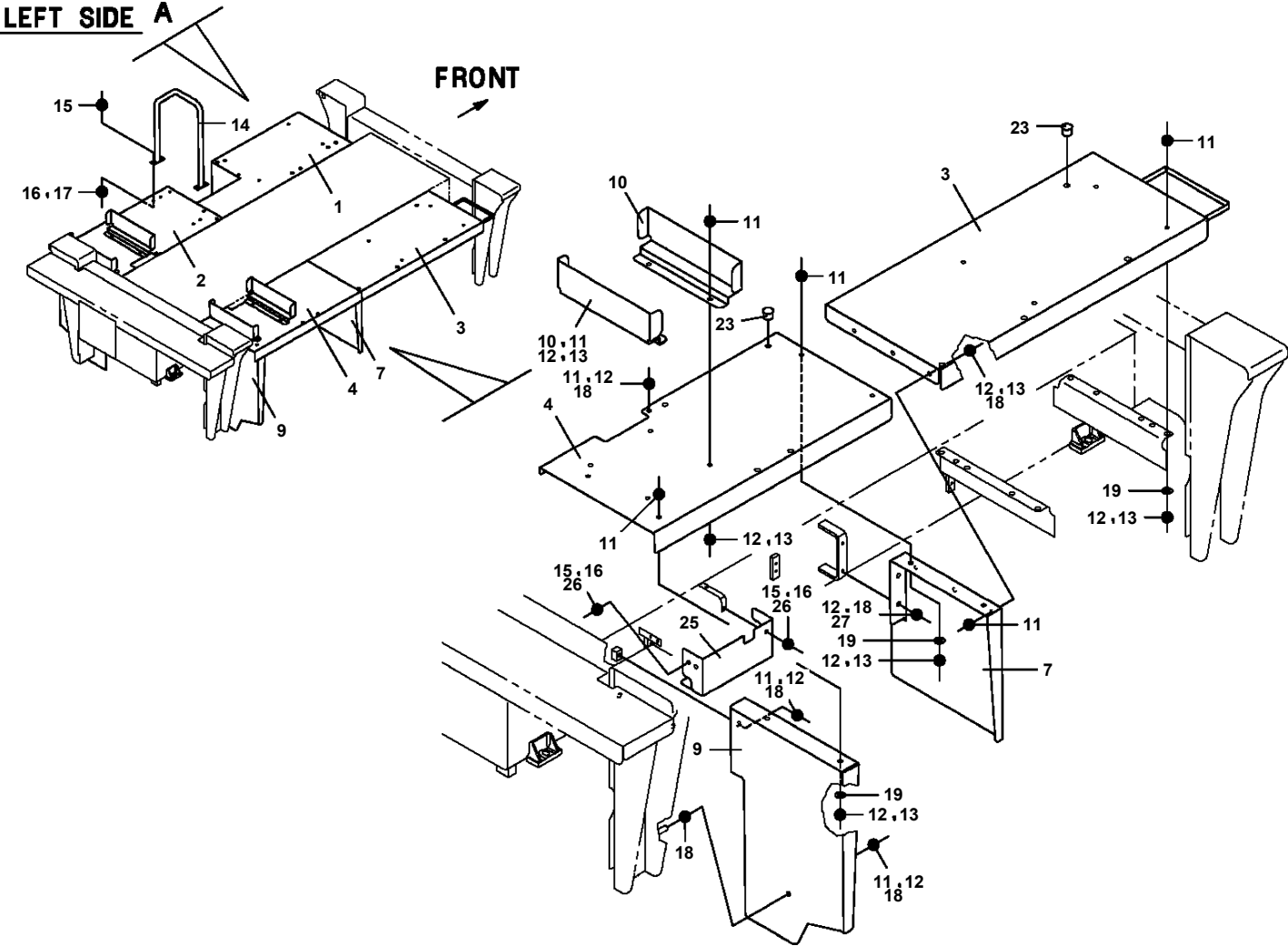
**AT-121-3 43007330722 UPPER,LOWER,HINO TKG-XZU600X-TYTMC6
PX2001551-00 CARRIER UNIT**



適用製造番号によっては取り付けがないものもあります。

MACHINES OF SOME SERIAL NO. ARE NOT EQUIPPED WITH THESE PARTS.

**AT-121-3 43007330722 UPPER,LOWER,HINO TKG-XZU600X-TYTMC6
PX5280028-00 MOUNT ASSY,DECK**



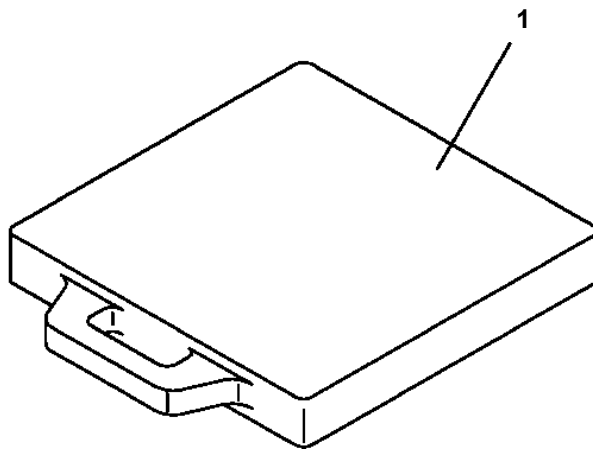
AT-121-3 43007330722 UPPER,LOWER,HINO TKG-XZU600X-TYTMC6

Pos No.	Parts No	Parts Name	Qty	Unit	Technical Data	Serial No (Start)	Serial No (End)	Remarks	Pages
1	42812051000	STEP	1						
2	90302041001	WASHER,SPRING	8		10				
3	90101210045	BOLT	4		M10X45				
4	90101210018	BOLT	4		M10X18				
5	37010500140	PLATE	2						
6	90303071001	WASHER,PLAIN	4		10				
7	90201201000	NUT	4		M10				
8	42811810200	SUPPORT	1				HJ3203		
9	90101208020	BOLT	2		M8X20				
18	42812050100	SUPPORT	1			HJ3204			

AT-121-3 43007330722 UPPER,LOWER,HINO TKG-XZU600X-TYTMC6

Pos No.	Parts No	Parts Name	Qty	Unit	Technical Data	Serial No (Start)	Serial No (End)	Remarks	Pages
1	42847970100	WEIGHT	1						
2	90302041601	WASHER,SPRING	4		16				
3	90101216055	BOLT	4		M16X55				

AT-121-3 43007330722 UPPER,LOWER,HINO TKG-XZU600X-TYTMC6
PY1930005-00 BLOCK,RUBBER (NAKAMURA)



CLICK HERE TO **DOWNLOAD** THE COMPLETE MANUAL

- Thank you very much for reading the preview of the manual.
- You can download the complete manual from: www.heydownloads.com by clicking the link below



- Please note: If there is no response to CLICKING the link, please download this PDF first and then click on it.

CLICK HERE TO **DOWNLOAD** THE COMPLETE MANUAL