

AT-121-2 43007241000 LOWER,ISUZU BDG-NKR85N-EJ5AHY-M

**PB3000174-00 POWER UNIT
PO1000171-00 INDICATION PLATES
PX2000893-00 CARRIER UNIT
PX3000649-00 MOUNTING UNIT
PY1001339-03 OPTIONS
ASSEMBLY**

CLICK HERE TO **DOWNLOAD** THE COMPLETE MANUAL

- Thank you very much for reading the preview of the manual.
- You can download the complete manual from: www.heydownloads.com by clicking the link below



- Please note: If there is no response to CLICKING the link, please download this PDF first and then click on it.

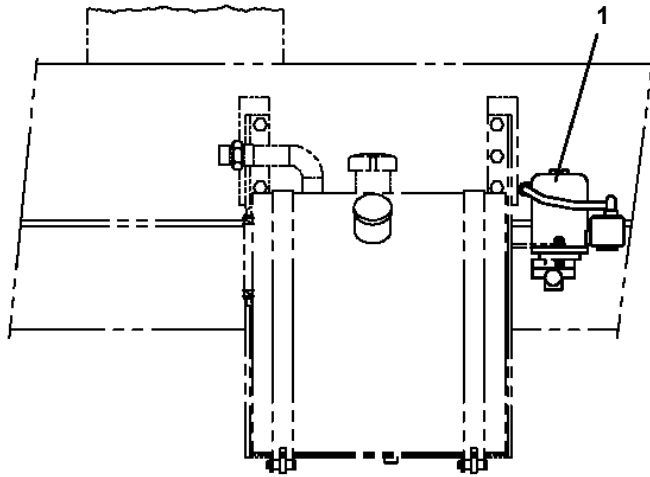
CLICK HERE TO **DOWNLOAD** THE COMPLETE MANUAL

AT-121-2 43007241000 LOWER,ISUZU BDG-NKR85N-EJ5AHY-M

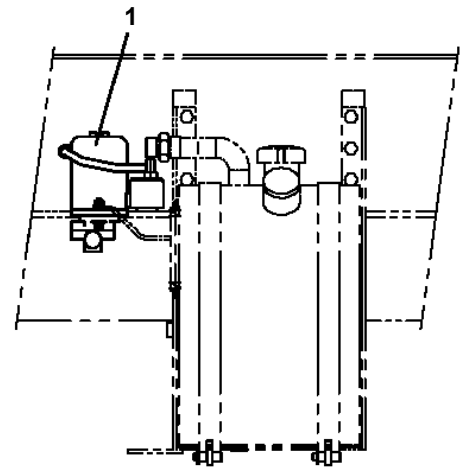
Pos No.	Parts No	Parts Name	Qty	Unit	Technical Data	Serial No
1	(*****)	EARTHING DEVICE	1			
2	(*****)	DECK (200KG)	1			
3	(*****)	ALARM SYSTEM	1			
4	(*****)	ELEC.ASSY (ALARM:UPPER/EXHAUST GAS PURIFIER DEVICE)	1			HJ1505
5	(*****)	MOUNT ASSY,DECK ON (CAB ENTIRE SURFACE PROTECTION)	1			HJ1894
6	(*****)	BOX,TOOL (RIGHT SINGLE)	1			HJ1846

AT-121-2 43007241000 LOWER,ISUZU BDG-NKR85N-EJ5AHY-M
PB1110025-04 MOUNT,PUMP (EMERGENCY)

FRONT ←



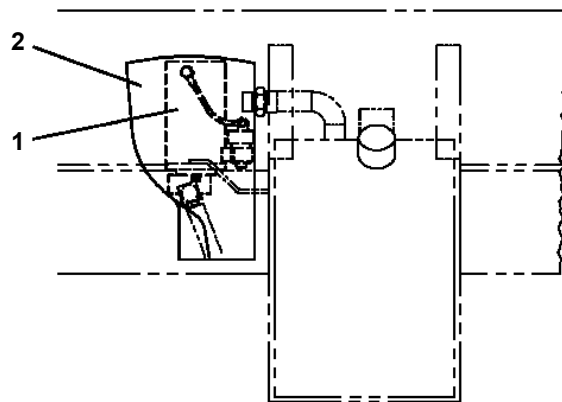
FRONT ←



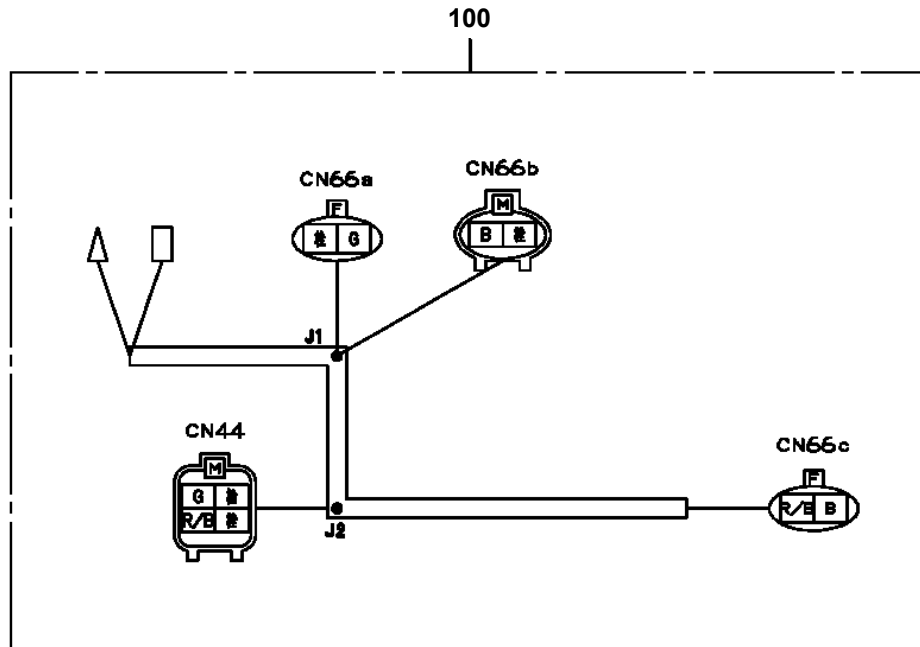
AT-80の場合



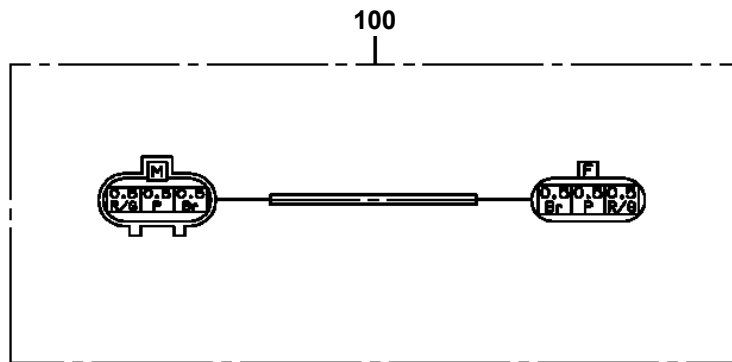
FRONT ←



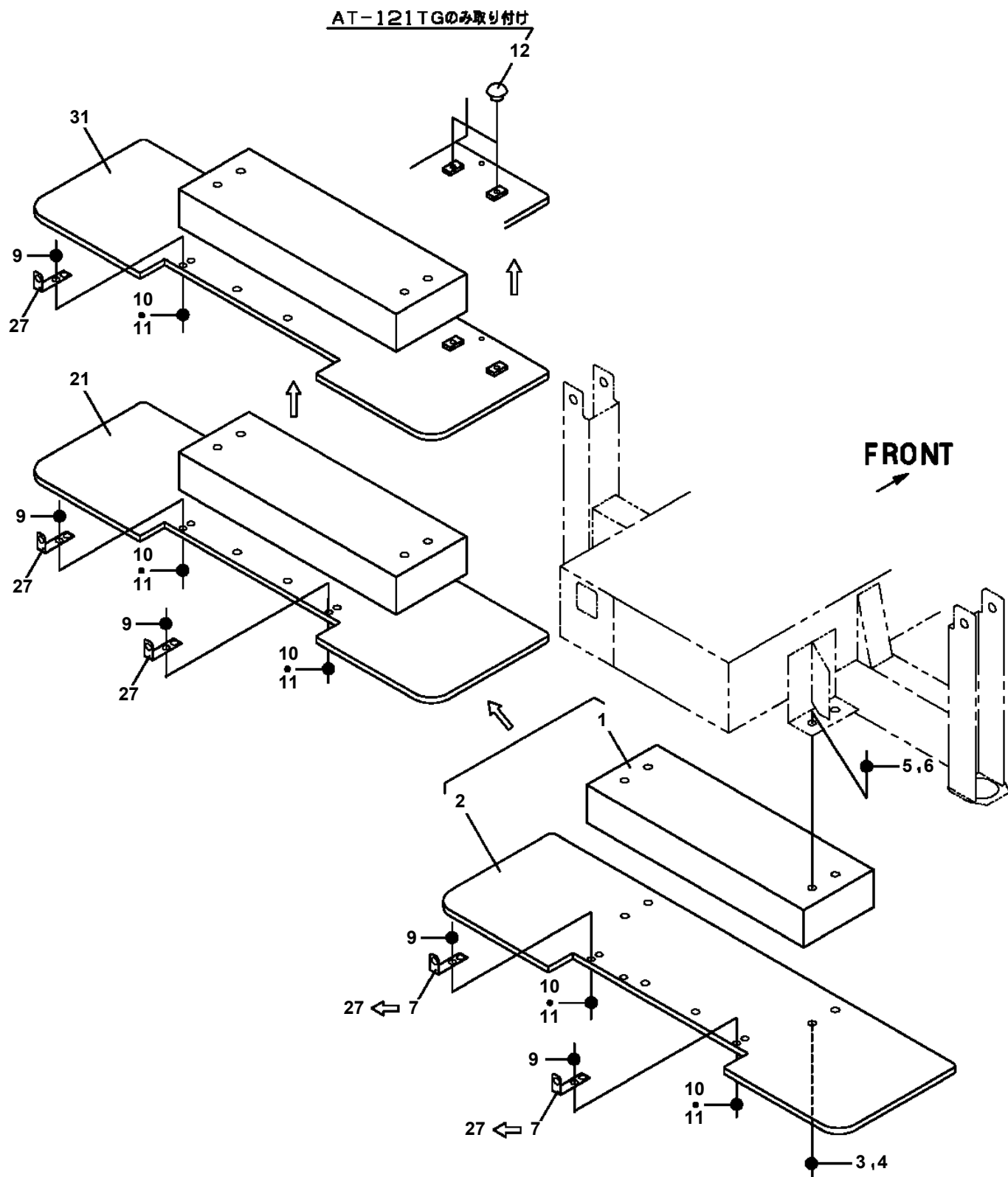
AT-121-2 43007241000 LOWER,ISUZU BDG-NKR85N-EJ5AHY-M
PH5031016-00 HARNESS



AT-121-2 43007241000 LOWER,ISUZU BDG-NKR85N-EJ5AHY-M
PH5034174-00 HARNESS



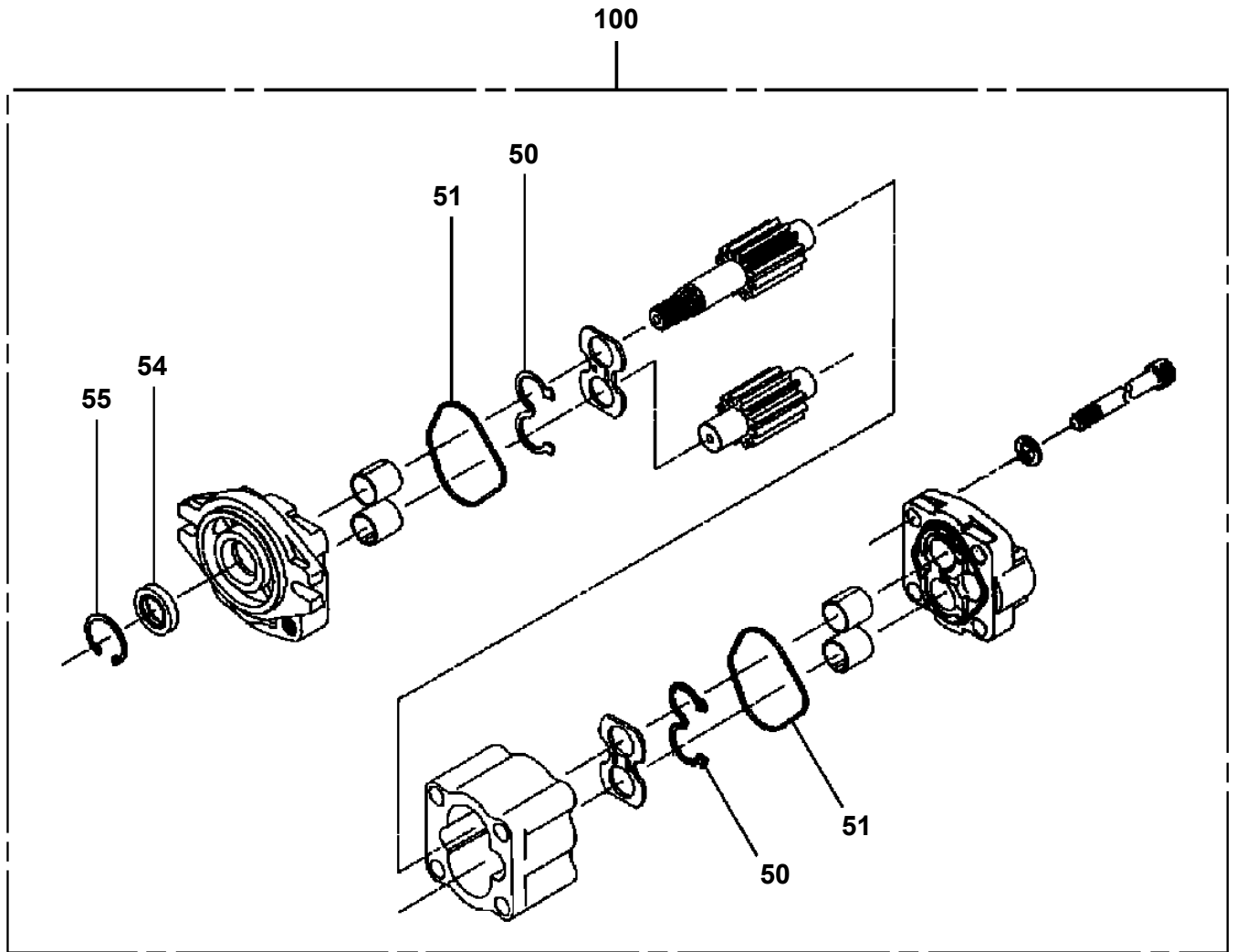
AT-121-2 43007241000 LOWER,ISUZU BDG-NKR85N-EJ5AHY-M
PK1230164-03 WEIGHT



AT-121-2 43007241000 LOWER,ISUZU BDG-NKR85N-EJ5AHY-M

Pos No.	Parts No	Parts Name	Qty	Unit	Technical Data	Serial No (Start)	Serial No (End)	Remarks	Pages
1	42935400100	HARNESS	1						000018
2	91810132530	FASTENER	10						
3	90302040601	WASHER,SPRING	1		6				
4	82100002012	CLAMP	1		WR18				
5	90201200600	NUT	1		M6				
6	82100002596	RELAY	1						
7	90186206010	BOLT,FLANGE	1		M6X10				
8	82100000975	CLIP	1				HJ1240		
	82100000975	CLIP	2			HJ1241			

AT-121-2 43007241000 LOWER,ISUZU BDG-NKR85N-EJ5AHY-M
PP5500003-00 PUMP,OIL (32CC:L)



AT-121-2 43007241000 LOWER,ISUZU BDG-NKR85N-EJ5AHY-M

Pos No.	Parts No	Parts Name	Qty	Unit	Technical Data	Serial No (Start)	Serial No (End)	Remarks	Pages
1	42698650102	FENDER	1						
2	42698670102	FENDER	1						
3	42698670202	FENDER	1						
4	42698670302	FENDER	1						
5	42698650700	FENDER	1						
6	90180208020	BOLT,BUTTON	11		M8X20				
7	90302040801	WASHER,SPRING	29		8				
8	37000506550	PLATE	11		T=1.6				
9	90101210025	BOLT	20		M10X25				
11	90302041001	WASHER,SPRING	20		10				
12	37000549940	PLATE	15		T=3.2				
13	42698650600	SUPPORT	1						
14	90201201000	NUT	4		M10				
15	42696871800	SUPPORT	1						
16	42896580101	SUPPORT	1						
17	90101208016	BOLT	18		M8X16				
18	42697453100	STEP	1						
19	90303071001	WASHER,PLAIN	6		10				
20	90101210035	BOLT	4		M10X35				
21	42698670501	SUPPORT	1						
23	90303070801	WASHER,PLAIN	4		8				
24	42698650800	SUPPORT	2						
25	90201200800	NUT	8		M8				
26	32200353500	SHIM	N		T=1.2				
27	31200713400	SHIM	N		T=0.6				
28	90101210030	BOLT	5		M10X30				

AT-121-2 43007241000 LOWER,ISUZU BDG-NKR85N-EJ5AHY-M

Pos No.	Parts No	Parts Name	Qty	Unit	Technical Data	Serial No (Start)	Serial No (End)	Remarks	Page
1	42900270100	SUPPORT	1						
2	42900110102	SUPPORT	1				HJ1475		
	42900110103	SUPPORT	1			HJ1476			
3	42900450100	SUPPORT	1				HJ1475		
	42900450101	SUPPORT	1			HJ1476			
4	90201200800	NUT	2		M8				
5	90101206022	BOLT	6		M6X22				
6	90302040601	WASHER,SPRING	8		6				
7	90101206016	BOLT	2		M6X16				
8	90302040801	WASHER,SPRING	2		8				
9	90101210045	BOLT	2		M10X45		HJ1375		
	90101210050	BOLT	2		M10X50	HJ1376			
10	90302041001	WASHER,SPRING	2		10				
11	42806830800	HARNESS	1						00002
12	42808270300	HARNESS (L=1060)	1						00001
13	42900360100	HARNESS	1						00001
14	91850400601	CLAMP	13				HJ1521		
	91850400601	CLAMP	11			HJ1522			
15	91810132530	FASTENER	13				HJ1521		
	91810132530	FASTENER	20			HJ1522			
16	90201200600	NUT	8		M6				
17	82400000393	INSULATOR	2				HJ1375		
	82400000393	INSULATOR	1			HJ1376			
18	80172804016	SCREW,MACHINE	2		M4X16		HJ1375		
	80172804016	SCREW,MACHINE	1		M4X16	HJ1376			
19	90303520401	WASHER,PLAIN	2		4		HJ1375		
	90303520401	WASHER,PLAIN	1		4	HJ1376			
20	90302510401	WASHER,SPRING	2		4		HJ1375		
	90302510401	WASHER,SPRING	1		4	HJ1376			
21	90101208025	BOLT	2		M8X25				
22	90201201000	NUT	2		M10				
23	90303071001	WASHER,PLAIN	2		10				
24	90303070601	WASHER,PLAIN	8		6				
27	82400000205	GROMMET	1			HJ1589			

CLICK HERE TO **DOWNLOAD** THE COMPLETE MANUAL

- Thank you very much for reading the preview of the manual.
- You can download the complete manual from: www.heydownloads.com by clicking the link below



- Please note: If there is no response to CLICKING the link, please download this PDF first and then click on it.

CLICK HERE TO **DOWNLOAD** THE COMPLETE MANUAL