

**AT-100-4 42063443521 UPPER/LOWER,ISUZU TKG-NKR85AN-EE5AHY-JM**

**PB0000275-02 UPPER STRUCTURE SYSTEM**

**PB0000500-02 LOWER STRUCTURE SYSTEM**

**ASSEMBLY**

CLICK HERE TO **DOWNLOAD** THE COMPLETE MANUAL

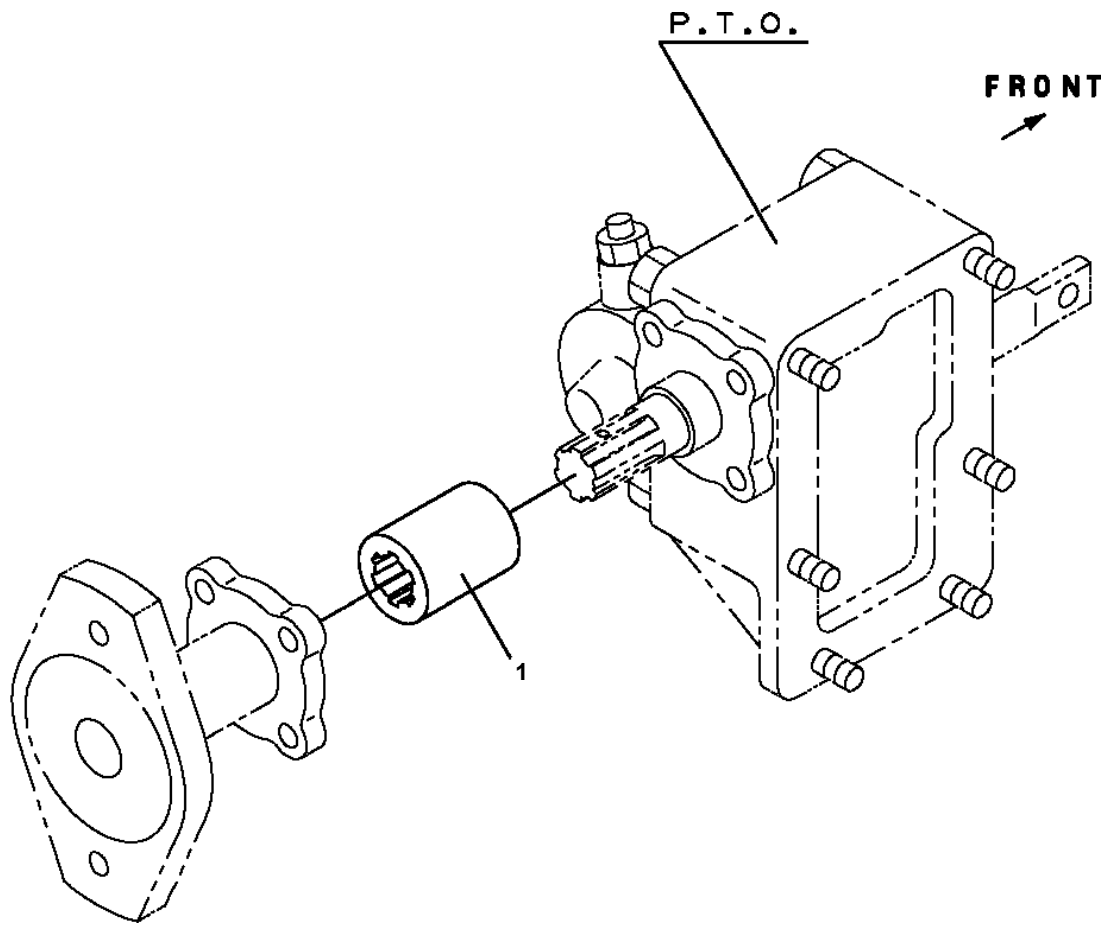
- Thank you very much for reading the preview of the manual.
- You can download the complete manual from: [www.heydownloads.com](http://www.heydownloads.com) by clicking the link below



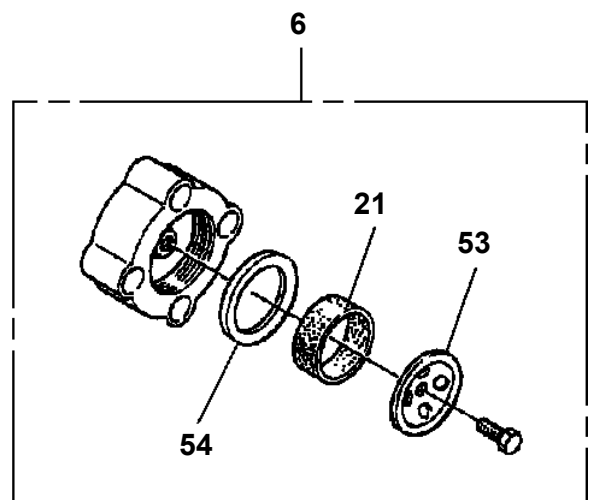
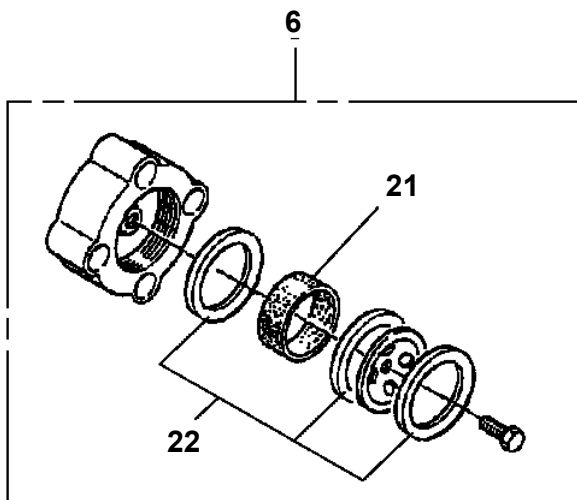
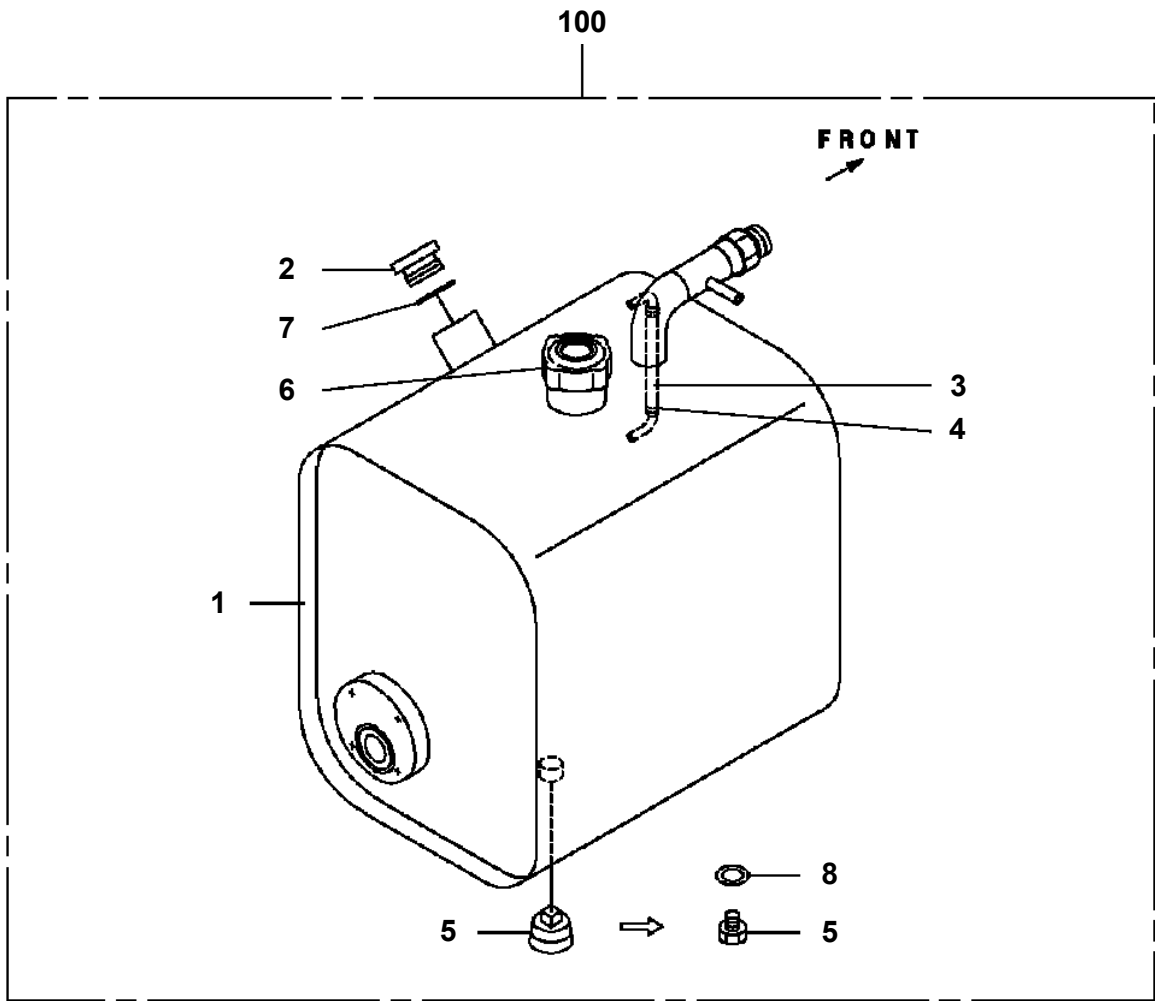
- Please note: If there is no response to CLICKING the link, please download this PDF first and then click on it.

CLICK HERE TO **DOWNLOAD** THE COMPLETE MANUAL

**AT-100-4 42063443521 UPPER/LOWER,ISUZU TKG-NKR85AN-EE5AHY-JM  
PB1050172-00 OPE.ASSY,P.T.O. (COUPLING)**



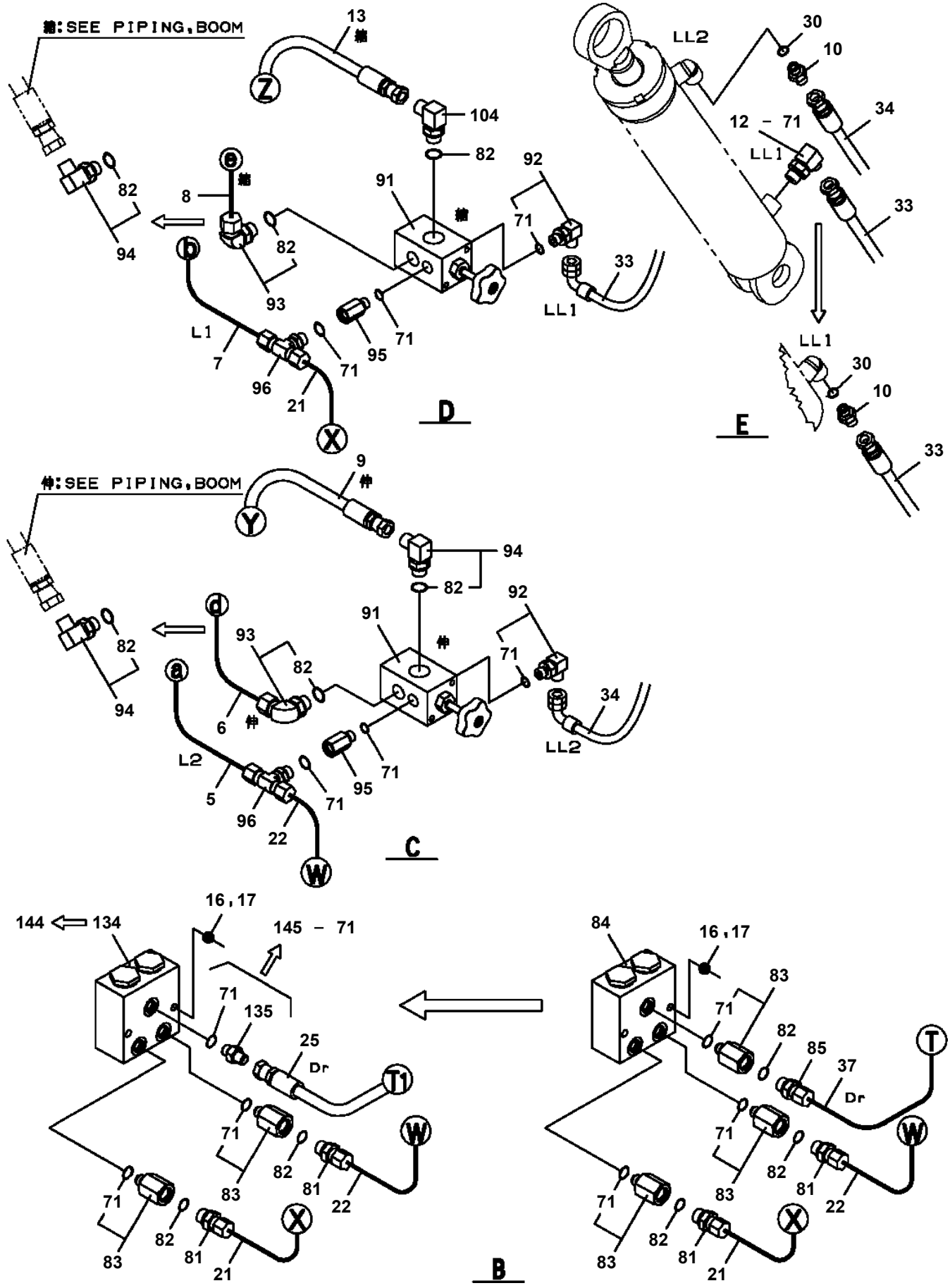
AT-100-4 42063443521 UPPER/LOWER, ISUZU TKG-NKR85AN-EE5AHY-JM  
PB1130208-02 TANK, OIL



# AT-100-4 42063443521 UPPER/LOWER,ISUZU TKG-NKR85AN-EE5AHY-JM

Pos No.	Parts No	Parts Name	Qty	Unit	Technical Data	Serial No (Start)	Serial No (End)	Remarks
1	42501251000	LAMP ASSY (HALOGEN)	1					
2	42501070100	SUPPORT	1					
3	42501541100	HARNESS	1					
4	90813108020	BOLT,WING	1		M8X20			
5	90101208016	BOLT	2		M8X16			
6	90302040801	WASHER,SPRING	2		8			
7	90201200600	NUT	2		M6			
8	90302040601	WASHER,SPRING	2		6			
9	82100002006	CLAMP	2		WR10			
10	91810130240	FASTENER	N					
11	82119422100	CONNECTOR	1					
12	80175304016	SCREW,MACHINE	2		M4X16			
13	42477640080	PLATE,NAME	1					
31	82199100032	LAMP	1					
32	90101212020	BOLT	1		M12X20			
33	90302041201	WASHER,SPRING	1		12			
34	37000179070	PIN	1					
35	80620210160	PIN,SNAP	1					
41	82100002850	LENS	1					
42	82100005003	BULB,LAMP	1		24V 55W ÈÙ'ÞÝ			

**AT-100-4 42063443521 UPPER/LOWER, ISUZU TKG-NKR85AN-EE5AHY-JM  
PB1400431-07 PIPING, UPPER**



**AT-100-4 42063443521 UPPER/LOWER,ISUZU TKG-NKR85AN-EE5AHY-JM**

Pos No.	Parts No	Parts Name	Qty	Unit	Technical Data	Serial No (Start)	Serial No (End)	Rema
1	42739880400	BLOCK,WOOD (FOR SLOPES)	1					

# AT-100-4 42063443521 UPPER/LOWER,ISUZU TKG-NKR85AN-EE5AHY-JM

Pos No.	Parts No	Parts Name	Qty	Unit	Technical Data	Serial No (Start)	Serial No
1	42266611000	POST ASSY	1				
2	42268541000	FRAME ASSY	1				
3	42507782100	MOTOR ASSY,ELECTRIC (WITH CINNECTOR)	1				
4	42507780200	STOPPER	1				
5	42507780300	COVER	1				
6	42264200200	PLATE	N		T=1.0		
7	42507780350	PLATE	1				
8	42507782201	GEAR ASSY	1				
	42268552000	GEAR ASSY	1			HK0390	HK0389
9	37000159360	PIN	1				
10	80136363050	PIN,SPLIT	1		6.3X50		
11	82456101000	NIPPLE,GREASE	1		A-PT1/8		
12	82400000459	CAP	1				
13	42507780100	WHEEL,WORM	1				
14	80601110750	RING,RITAINING	1		S75		
15	91810130290	FASTENER	2		L=470		
16	90171112065	BOLT	8		M12X65		
17	90171112055	BOLT	2		M12X55		
18	90201781200	NUT	4		M12		
19	90102212050	BOLT	2		M12X50		
20	90201201200	NUT	2		M12		
21	90171110030	BOLT	4		M10X30		
22	90302041001	WASHER,SPRING	4		10		
23	90303071001	WASHER,PLAIN	4		10		
24	37000586760	WASHER,PLAIN	16		12		
25	90172106065	BOLT,HEXAGON SOCKET	4		M6X65		
26	90302040601	WASHER,SPRING	4		6		
27	90303070601	WASHER,PLAIN	4		6		
28	90171112060	BOLT	2		M12X60		
52	80820003540	BEARING,PLAIN	2				
73	80513006015	BEARING,BALL	2				
91	42507782300	WORM	1				HK0389
	42268552100	WORM	1			HK0390	
92	42507782401	SUPPORT	1				
93	42264154120	COVER	1				
94	80513006205	BEARING,BALL	2				
95	42507782500	SPACER	1				
96	42264154500	SHIM	N		T=0.5		
97	42264154600	SHIM	N		T=0.2		
98	90171108016	BOLT	4		M8X16		
99	90302040801	WASHER,SPRING	4		8		

**AT-100-4 42063443521 UPPER/LOWER,ISUZU TKG-NKR85AN-EE5AHY-JM**

Pos No.	Parts No	Parts Name	Qty	Unit	Technical Data	Serial No (Start)	Serial No (End)	Re
2	42835717510	DOOR	1					
3	42835717520	DOOR	1					
4	42835717530	STOPPER	4					
5	42833867750	HINGE	6					
6	42835867870	CATCH	2					
7	42838127520	WEATHER STRIP	4	M				
8	42838127520	WEATHER STRIP	4	M				
9	82400000393	INSULATOR	2					
10	82464046113	GAS SPRING	1					
11	42835717800	PIN	2					
12	42835717560	SUPPORT	1					
13	42835717570	SCREW,MACHINE (WITH SW)	36		M5X16			
14	42835717580	SCREW,MACHINE (WITH W,NUT)	2		M4X16			
15	42833077610	BUSH	17					
16	42835717590	PLATE	12					
17	42835717600	SUPPORT	1					
18	42838127510	BOLT (WITH SW,NUT)	4		M6X16			
19	42835717610	SUPPORT	1					
20	42835717620	GUIDE	1					
21	42835717810	PACKING	1					
22	42835717630	SCREW,MACHINE (WITH W)	2		M6X10			
23	42835797580	PLUG (HOLE)	14					
24	42835717650	SEAT	1					
25	42835717660	SEAT	1					
27	99164408016	BOLT (M8X16,WITH WASHER)	17					
28	42835717680	SUPPORT	1					
29	42835717690	BOLT (WITH W)	4		M8X12			
30	42835717700	SEAL ASSY	1					
31	42835717740	PLATE	6					
32	99163006014	BOLT,SEMS (M6X14)	2					
33	42838117510	CATCH	2					
100	42838123000	BOX,TOOL	1					

# AT-100-4 42063443521 UPPER/LOWER,ISUZU TKG-NKR85AN-EE5AHY-JM

Pos No.	Parts No	Parts Name	Qty	Unit	Technical Data	Serial No (Start)	Serial No (End)	Re
1	42838367530	FRAME	1					
2	42838367540	RAIL	1					
3	42838367550	RAIL	1					
4	32830487660	SCREW,MACHINE (SEMS)	23		M4X12			
5	42838367560	STOPPER	2					
6	42835467640	SCREW,MACHINE	8		M4X18			
7	42834457610	SCREW,MACHINE	6		M5X10			
8	42835467570	RAIL	1					
9	42836317940	SEAL (TAPE)	2	M				
10	42836317940	SEAL (TAPE)	2	M				
11	42835467620	PLATE	4					
100	42838367520	BOX,TOOL (DOOR FRAME ASSY)	1					

# AT-100-4 42063443521 UPPER/LOWER,ISUZU TKG-NKR85AN-EE5AHY-JM

Pos No.	Parts No	Parts Name	Qty	Unit	Technical Data	Serial No (Start)	Serial No (End)	Re
1	42838367570	BOX,TOOL (DOOR FRAME ASSY)	1					
3	42836077511	DOOR ASSY	1					
4	42835717720	GUIDE	1					
5	42835797580	PLUG (HOLE)	6					
6	42833077610	BUSH	17					
7	42835717740	PLATE	3					
8	42836077530	SEAT	1					
9	42836077580	SEAT	1					
10	42836077590	SUPPORT	1					
11	42836077600	SUPPORT	4					
12	42835867650	NUT (SPEED NUT)	2		M6			
13	42835567670	SCREW,MACHINE (WITH W,SW)	2		M6X12			
14	99164408016	BOLT (M8X16,WITH WASHER)	14					
15	42836077540	STOPPER	1					
16	42835467840	SCREW,MACHINE (WITH W,SW)	2		M5X22			
18	42838347550	BOX,TOOL (PACKING ASSY)	1					
19	42835717700	SEAL ASSY	1					
20	42836077620	NUT	8					
21	42836077640	COVER (HARNESS)	1	M				
100	42838363001	BOX,TOOL	1					

**AT-100-4 42063443521 UPPER/LOWER,ISUZU TKG-NKR85AN-EE5AHY-JM**

Pos No.	Parts No	Parts Name	Qty	Unit	Technical Data	Serial No (Start)	Serial No (End)	Remarks	Pages
1	42838487570	PACKING	2						
2	42837367520	PACKING	7						
3	42838487580	BOLT,BUTTON	4						
4	42838487590	WASHER	4						
5	42838487630	BOLT	3						
6	42838487600	WASHER	7						
7	42838487610	BOLT	4						
8	42838487620	PLATE	2						
9	42838347530	PACKING	1						
10	42838347540	PACKING	1						
100	42838347520	PACKING ASSY	1						

**AT-100-4 42063443521 UPPER/LOWER,ISUZU TKG-NKR85AN-EE5AHY-JM**

Pos No.	Parts No	Parts Name	Qty	Unit	Technical Data	Serial No (Start)	Serial No (End)	Remarks	Pages
1	42501151600	CASE, OUTER	1						
2	42501151800	CASE, INNER	1						
3	36035810000	CYLINDER, JACK	1						000049
4	37000165180	PIN	1						
5	80601110250	RING, RITAINING	2		S25				
7	37000169010	PIN	1		30				
8	80601110300	RING, RITAINING	2		S30				
9	42613791600	COVER	1						
10	90186206014	BOLT, FLANGE	2		M6X14				
11	36625740001	VALVE, CHECK	1						000137
12	90171108055	BOLT	4		M8X55				
13	42611870030	COVER	1						
14	90101208012	BOLT	4		M8X12				
15	90302040801	WASHER, SPRING	4		8				
16	90171108016	BOLT	2		M8X16				
17	31611640150	SPRING	1						
18	37000504780	PLATE	N		T=0.6				
41	82100002002	CLAMP	1		WR6				
42	90101206018	BOLT	1		M6X18				
43	90302040601	WASHER, SPRING	1		6				
44	90101208022	BOLT	2		M8X22				
45	42613794100	PLATE	1						
46	42613794010	BOLT	1		M6X20				
47	90201200600	NUT	1		M6				
48	82104502010	SWITCH, LIMIT	1						
49	90101204025	BOLT	2		M4X25				
50	90302040401	WASHER, SPRING	2		4				
51	42611483300	PLATE	1		T=3				
52	42501152100	COVER	1						
53	91810130240	FASTENER	N						
54	90302040801	WASHER, SPRING	4		8				
55	90101208010	BOLT	2		M8X10				
56	90201200800	NUT	1		M8				
100	42501151501	OUTRIGGER	1						

# AT-100-4 42063443521 UPPER/LOWER,ISUZU TKG-NKR85AN-EE5AHY-JM

Pos No.	Parts No	Parts Name	Qty	Unit	Technical Data	Serial No (Start)	Serial No (End)	Remarks	Pages
1	42321151102	COVER	1						
2	42321112201	COVER	1						
3	82464122900	HINGE	2						
4	90190204010	BOLT	8		M4X10				
5	90303520401	WASHER,PLAIN	8		4		HK0761		
	90303520401	WASHER,PLAIN	12		4	HK0762			
6	90302510401	WASHER,SPRING	8		4				
7	90201500400	NUT	8		M4				
8	82460025402	CATCH	1						
9	90302040501	WASHER,SPRING	4		5				
10	80175805010	SCREW,MACHINE	4		M5X10				
11	90201200500	NUT	4		M5				
12	42875640010	PLATE	4		T=0.5	HK0762			
13	80172304008	SCREW,MACHINE	2		M4X8				
14	90201200400	NUT	1		M4				
15	90240200400	NUT,CAP	1		M4				
16	90303070401	WASHER,PLAIN	2		4				
17	42321112010	CHAIN	1						
100	42321151001	COVER ASSY	1						

**AT-100-4 42063443521 UPPER/LOWER,ISUZU TKG-NKR85AN-EE5AHY-JM**

Pos No.	Parts No	Parts Name	Qty	Unit	Technical Data	Serial No (Start)	Serial No (End)	Remarks	Pages
10	42267480200	COVER	1						

**AT-100-4 42063443521 UPPER/LOWER,ISUZU TKG-NKR85AN-EE5AHY-JM**

Pos No.	Parts No	Parts Name	Qty	Unit	Technical Data	Serial No (Start)	Serial No (End)
1	(*****)	SWING FRAME	1				
2	(*****)	REDUCER,SWING SPEED (MOUNT)	1				
3	(*****)	CYLINDER,ELEVATING	1				
4	(*****)	PIPING,UPPER	1				
5	(*****)	ELEC.ASSY (SWING FRAME)	1				
6	36027860000	CYLINDER,LEVELING (LOWER)	1				
7	(*****)	JOINT,ROTARY (MOUNT)	1				

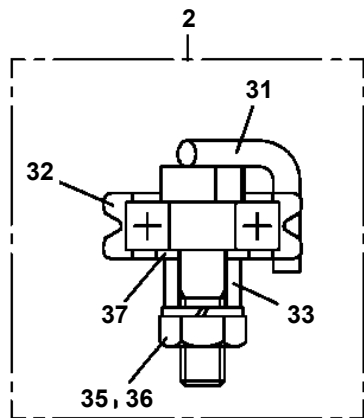
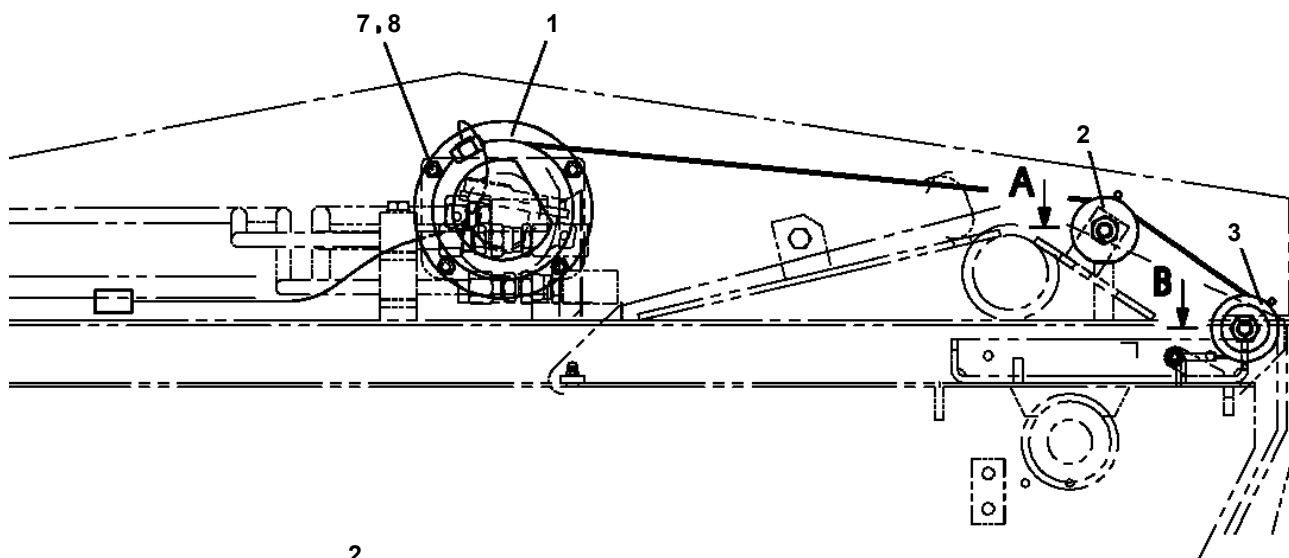
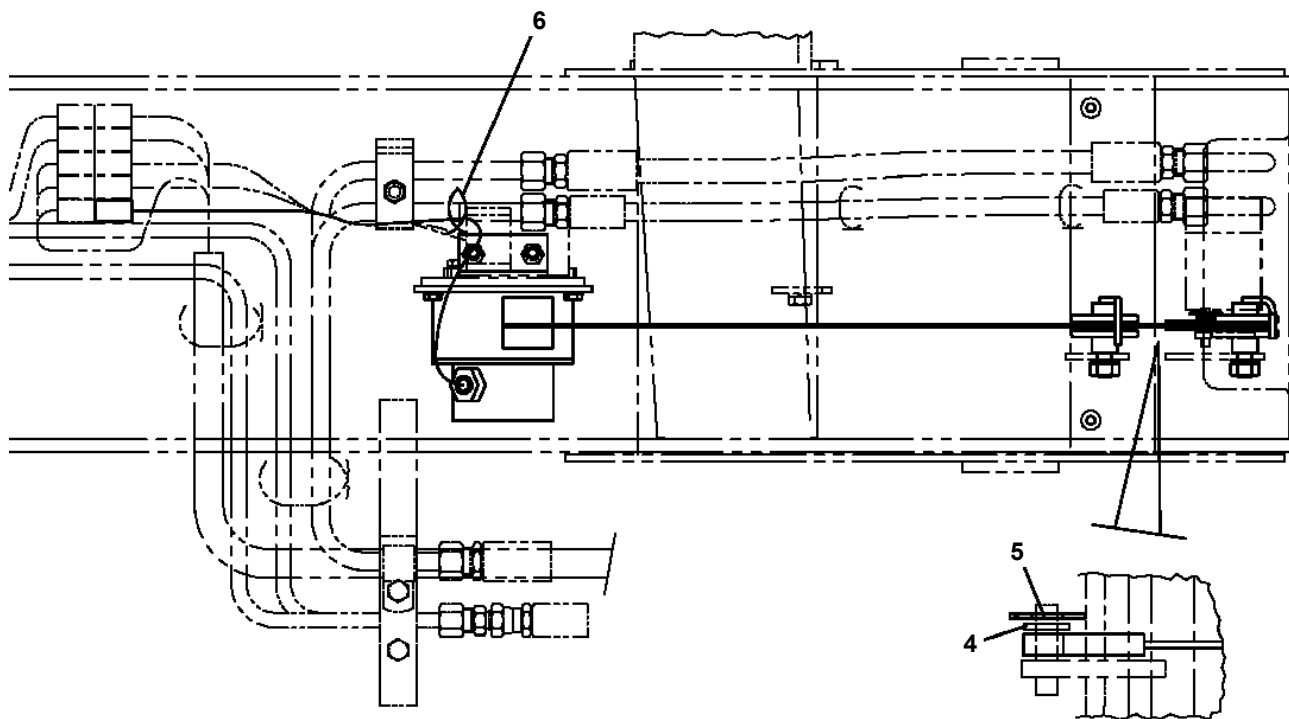
**AT-100-4 42063443521 UPPER/LOWER,ISUZU TKG-NKR85AN-EE5AHY-JM**

Pos No.	Parts No	Parts Name	Qty	Unit	Technical Data	Serial No (Start)	Serial No (End)	Remarks	Pages
1	90302040801	WASHER,SPRING	4		8				
2	42834874100	SUPPORT	1						
3	90101208020	BOLT	4		M8X20				

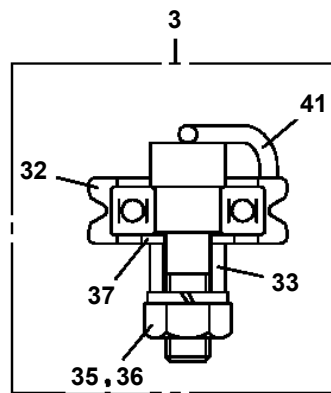
# AT-100-4 42063443521 UPPER/LOWER,ISUZU TKG-NKR85AN-EE5AHY-JM

Pos No.	Parts No	Parts Name	Qty	Unit	Technical Data	Serial No (Start)	Serial No (End)	Remarks	Pages
1	42971191001	SUPPORT ASSY	1						
2	42971100200	SUPPORT	1						
3	90101210025	BOLT	2		M10X25				
4	90302041001	WASHER,SPRING	2		10				
5	90201201000	NUT	2		M10				
6	90303071001	WASHER,PLAIN	2		10				
21	42971191200	SUPPORT	1						
22	37000127600	PIN	2						
23	80136350036	PIN,SPLIT	4		5X36				
24	42737771500	SUPPORT	1						
25	37001110060	ROLLER	2						
26	42737771400	SUPPORT	1						
27	90101208018	BOLT	2		M8X18				
28	80824003540	BEARING,PLAIN	1						
29	42971191300	SUPPORT	1						
30	90101210020	BOLT	2		M10X20				
31	90302040801	WASHER,SPRING	2		8				
32	42737771300	PIN	1						
33	90303072001	WASHER,PLAIN	8		20				
34	90302041001	WASHER,SPRING	2		10				

AT-100-4 42063443521 UPPER/LOWER,ISUZU TKG-NKR85AN-EE5AHY-JM  
PG1120223-00 DETECTOR,BOOM LENGTH



**A**



**B**

**AT-100-4 42063443521 UPPER/LOWER,ISUZU TKG-NKR85AN-EE5AHY-JM**

Pos No.	Parts No	Parts Name	Qty	Unit	Technical Data	Serial No (Start)	Serial No (End)	Remarks	Pages
1	42974320100	GUARD	1						
2	42974320200	GUARD	1						
3	42974320300	GUARD	1						

**AT-100-4 42063443521 UPPER/LOWER,ISUZU TKG-NKR85AN-EE5AHY-JM**

Pos No.	Parts No	Parts Name	Qty	Unit	Technical Data	Serial No (Start)	Serial No (End)	Remarks	Pages
1	42652990200	BUZZER ASSY	1						
2	42501110020	HARNESS	1						000121
3	80172304016	SCREW,MACHINE	2		M4X16				
4	90201200400	NUT	2		M4				
5	90302040401	WASHER,SPRING	2		4				
6	90303070401	WASHER,PLAIN	4		4				

**AT-100-4 42063443521 UPPER/LOWER,ISUZU TKG-NKR85AN-EE5AHY-JM**

Pos No.	Parts No	Parts Name	Qty	Unit	Technical Data	Serial No (Start)	Serial No (End)	Remarks	Pages
1	42739941110	DISPLAY	1						000098
2	42807401150	CABLE	1						
3	42739931150	CAMERA	1						000100
50	42739991100	VIEW SYSTEM	1						

**AT-100-4 42063443521 UPPER/LOWER,ISUZU TKG-NKR85AN-EE5AHY-JM**

Pos No.	Parts No	Parts Name	Qty	Unit	Technical Data	Serial No (Start)	Serial No (End)	Remarks	I
1	(*****)	VIEW SYSTEM (MONITOR)	1						0
2	(*****)	VIEW SYSTEM (CAMERA)	1						0

**AT-100-4 42063443521 UPPER/LOWER,ISUZU TKG-NKR85AN-EE5AHY-JM**

Pos No.	Parts No	Parts Name	Qty	Unit	Technical Data	Serial No (Start)	Serial No (End)	Remarks	Pages
2	42739937510	BRACKET	1				HK1028		
3	42739937520	HOOD	1				HK1028		
10	42739937530	BRACKET ASSY	1				HK1028		
21	42739937511	BRACKET	1			HK1029			
31	42739937521	HOOD	1			HK1029			
100	42739931150	CAMERA	1						

**AT-100-4 42063443521 UPPER/LOWER,ISUZU TKG-NKR85AN-EE5AHY-JM**

Pos No.	Parts No	Parts Name	Qty	Unit	Technical Data	Serial No (Start)	Serial No (End)	Remarks	Pages
100	42355780100	HARNESS	1						

**AT-100-4 42063443521 UPPER/LOWER,ISUZU TKG-NKR85AN-EE5AHY-JM**

Pos No.	Parts No	Parts Name	Qty	Unit	Technical Data	Serial No (Start)	Serial No (End)	Remarks	Pages
100	42355780200	HARNESS	1						

**AT-100-4 42063443521 UPPER/LOWER,ISUZU TKG-NKR85AN-EE5AHY-JM**

Pos No.	Parts No	Parts Name	Qty	Unit	Technical Data	Serial No (Start)	Serial No (End)	Remarks	Pages
1	42355780700	HARNESS (L=3400)	1						

**AT-100-4 42063443521 UPPER/LOWER,ISUZU TKG-NKR85AN-EE5AHY-JM**

Pos No.	Parts No	Parts Name	Qty	Unit	Technical Data	Serial No (Start)	Serial No (End)	Remarks	Pages
100	42715440100	HARNESS	1						

**AT-100-4 42063443521 UPPER/LOWER,ISUZU TKG-NKR85AN-EE5AHY-JM**

Pos No.	Parts No	Parts Name	Qty	Unit	Technical Data	Serial No (Start)	Serial No (End)	Remarks	Pages
1	82460027205	HANDLE	1						

**AT-100-4 42063443521 UPPER/LOWER,ISUZU TKG-NKR85AN-EE5AHY-JM**

Pos No.	Parts No	Parts Name	Qty	Unit	Technical Data	Serial No (Start)	Serial No (End)	Remarks	Pages
1	82460027210	HANDLE	1						

**AT-100-4 42063443521 UPPER/LOWER,ISUZU TKG-NKR85AN-EE5AHY-JM**

Pos No.	Parts No	Parts Name	Qty	Unit	Technical Data	Serial No (Start)	Serial No (End)	Remarks	Pages
11	91001101200	O-RING	2		1A P12				
23	36624110300	SEAT	2						
24	36624110400	SPRING	2						
26	36624110600	PISTON	1						
28	91001101800	O-RING	2		1A P18				
30	36624111000	PACKING	2						
31	36624111100	O-RING	1		P12				
41	36624110100	BODY	1						
42	36624110200	PLUG	2						
45	36624110501	PLUNGER	2						
100	36624110000	VALVE,CHECK	1						

# AT-100-4 42063443521 UPPER/LOWER,ISUZU TKG-NKR85AN-EE5AHY-JM

Pos No.	Parts No	Parts Name	Qty	Unit	Technical Data	Serial No (Start)	Serial No (End)	Remark
1	80316100040	PLUG	1		PF1/2			
2	91002801800	O-RING	1		1B P18			
7	91002801600	O-RING	1		1B P16			
10	36605515030	SPRING	1					
11	91002902500	O-RING	1		1B G25			
12	36605515040	GUIDE	1					
13	36605515050	COVER	1					
14	36620030010	PLUG	1		PF3/8			
15	91002801400	O-RING	2		1B P14			
16	52255101000	SPRING	1					
18	36605515060	PISTON	1					
19	91002801000	O-RING	1		1B P10			
20	80316100030	PLUG	1		G3/8			
21	91002801200	O-RING	2		1B P12			
22	90131708035	BOLT,HEXAGON SOCKET	4		M8X35			
23	80316090020	PLUG	3		KKT PT1/8			
31	36605515070	BODY ASSY	1					
32	36605515082	VALVE,CHECK	1					
50	36605510001	VALVE,COUNTERBALANCE	1					

**AT-100-4 42063443521 UPPER/LOWER,ISUZU TKG-NKR85AN-EE5AHY-JM**

Pos No.	Parts No	Parts Name	Qty	Unit	Technical Data	Serial No (Start)	Serial No (End)
1	42267180100	BUCKET (WITH BOSS ON ONE SIDE)	1				

CLICK HERE TO **DOWNLOAD** THE COMPLETE MANUAL

- Thank you very much for reading the preview of the manual.
- You can download the complete manual from: [www.heydownloads.com](http://www.heydownloads.com) by clicking the link below



- Please note: If there is no response to CLICKING the link, please download this PDF first and then click on it.

CLICK HERE TO **DOWNLOAD** THE COMPLETE MANUAL

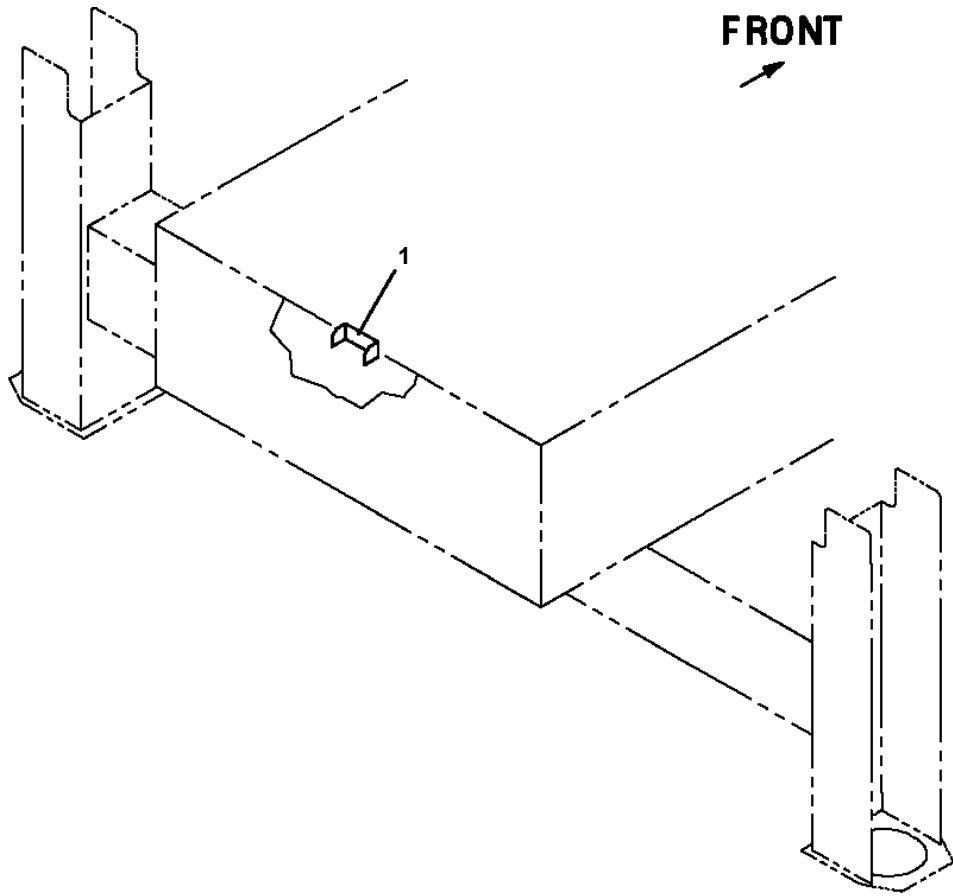
**AT-100-4 42063443521 UPPER/LOWER,ISUZU TKG-NKR85AN-EE5AHY-JM**

Pos No.	Parts No	Parts Name	Qty	Unit	Technical Data	Serial No (Start)	Serial No (End)
1	42267180100	BUCKET (WITH BOSS ON ONE SIDE)	1				
2	42477661000	MAT	1				

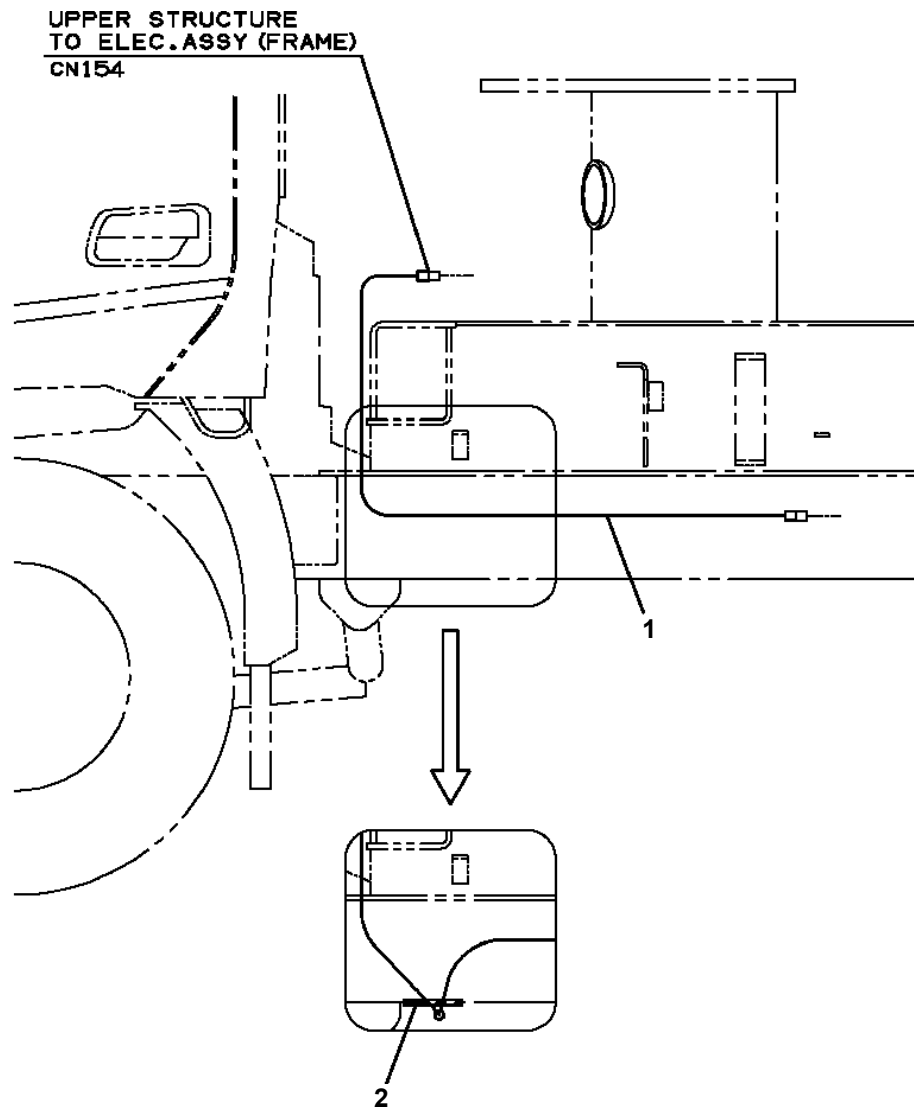
**AT-100-4 42063443521 UPPER/LOWER,ISUZU TKG-NKR85AN-EE5AHY-JM**

Pos No.	Parts No	Parts Name	Qty	Unit	Technical Data	Serial No (Start)	Serial No (End)	Remarks	Pages
1	42502360000	COVER	1						

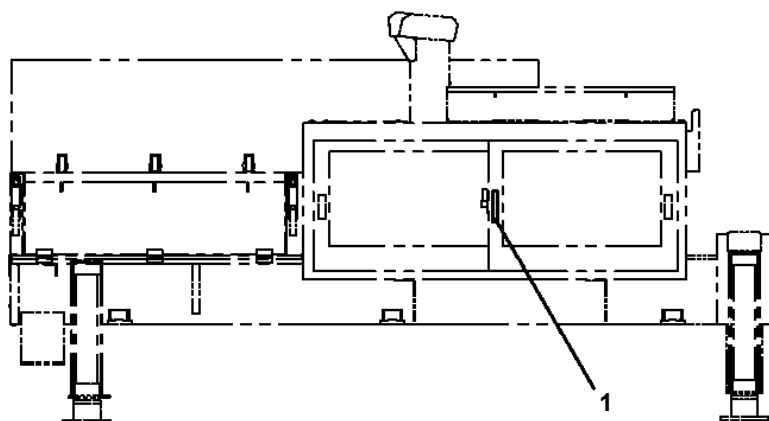
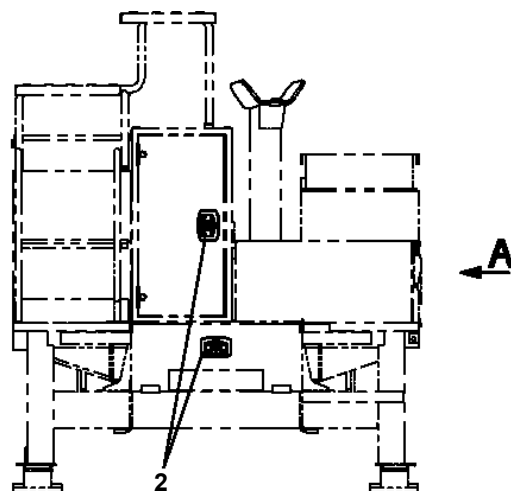
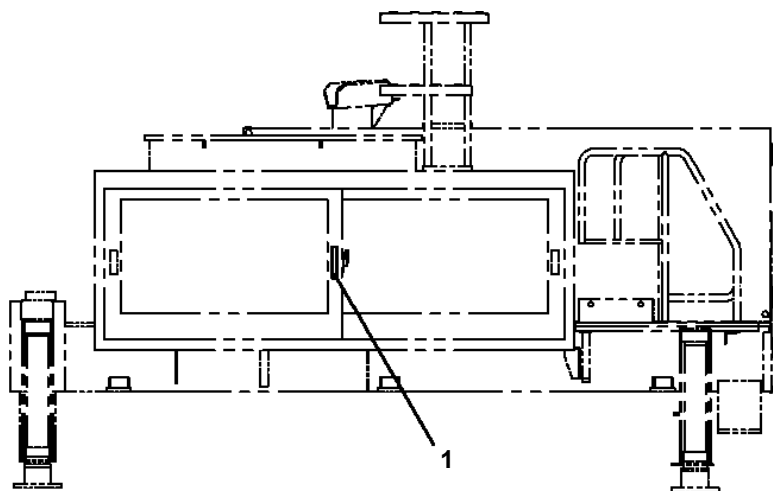
**AT-100-4 42063443521 UPPER/LOWER,ISUZU TKG-NKR85AN-EE5AHY-JM  
PK1330467-00 COVER (FOR REAR COVER T-HANDLE)**



AT-100-4 42063443521 UPPER/LOWER,ISUZU TKG-NKR85AN-EE5AHY-JM  
PL1031086-01 OPE.ASSY,ACCELERATOR

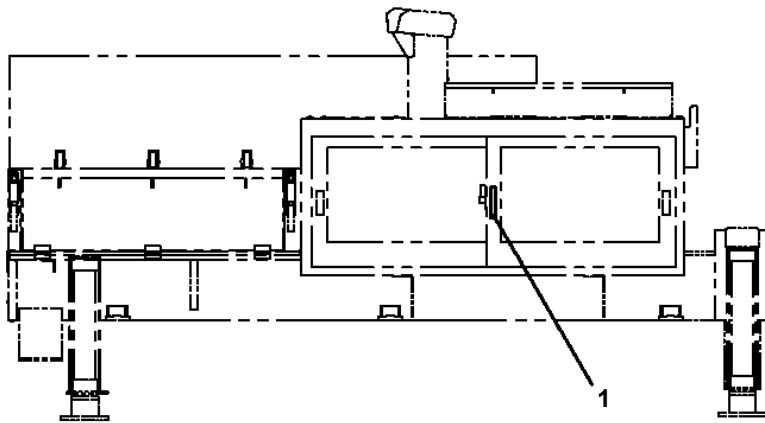
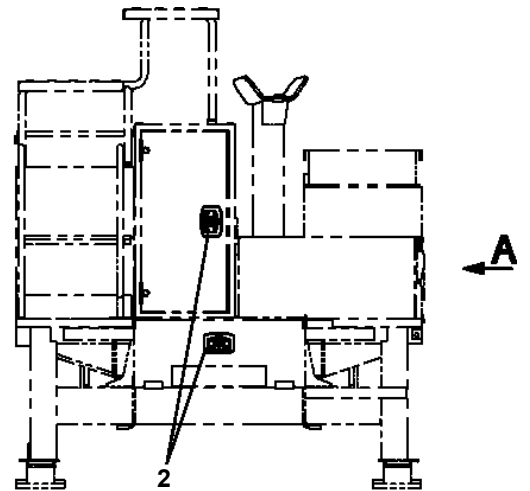
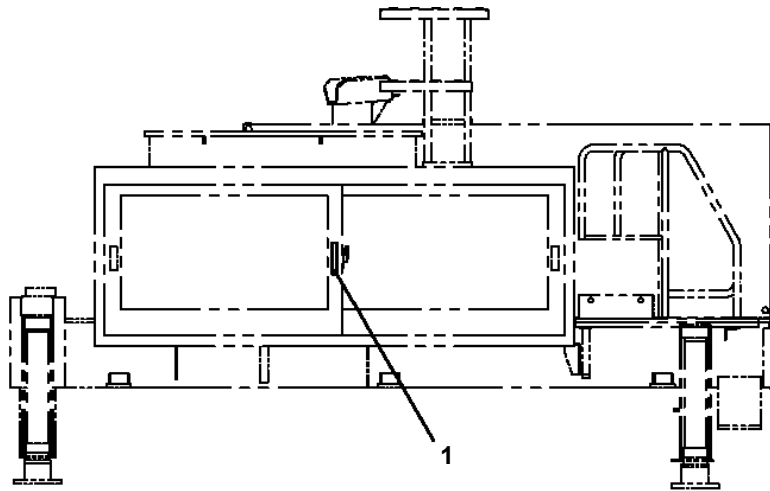


AT-100-4 42063443521 UPPER/LOWER, ISUZU TKG-NKR85AN-EE5AHY-JM  
PL5270044-00 LOCK ASSY (KEY NO.2)



A

AT-100-4 42063443521 UPPER/LOWER, ISUZU TKG-NKR85AN-EE5AHY-JM  
PL5270049-00 LOCK ASSY (KEY NO.7)



A

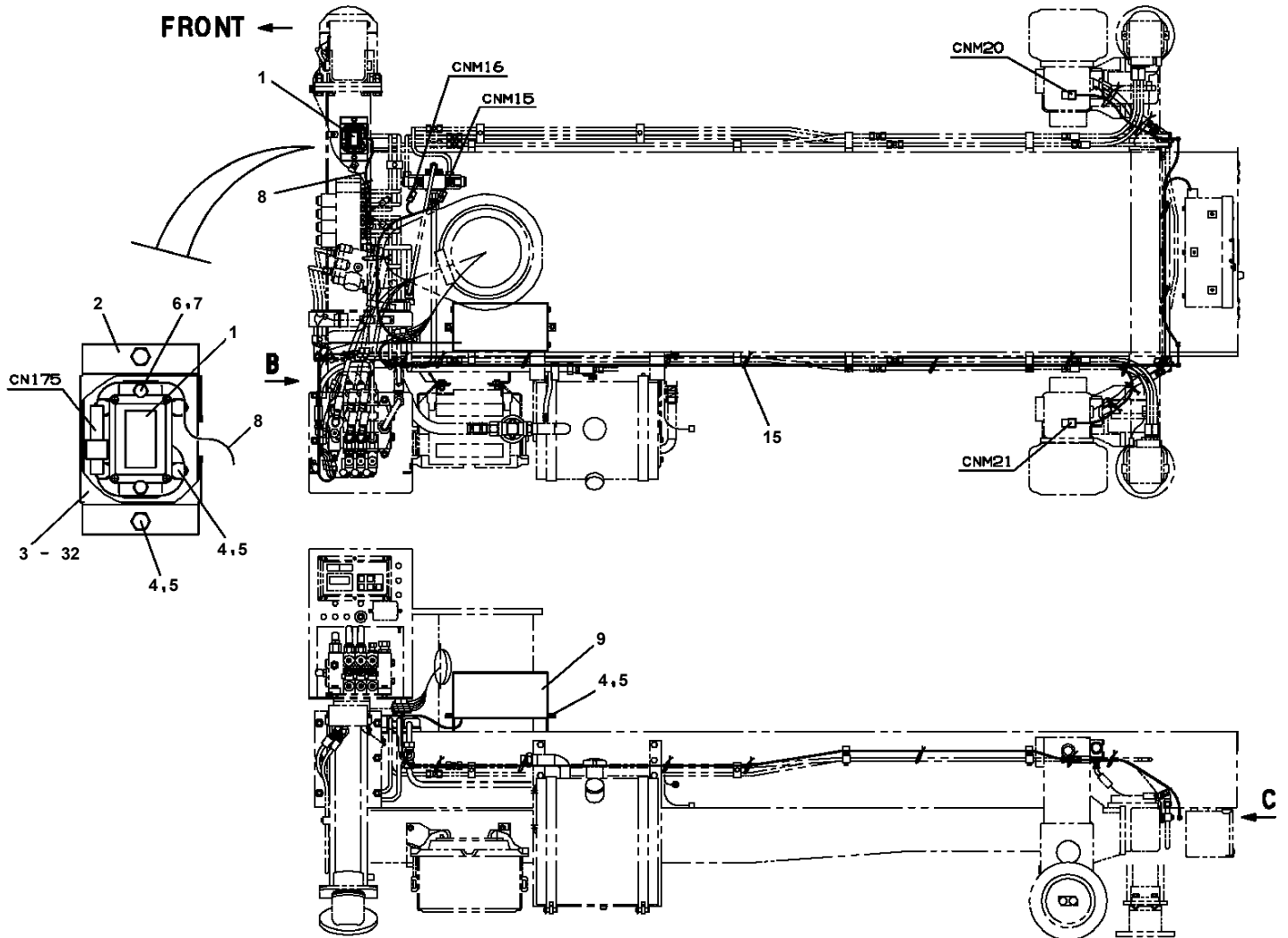
**AT-100-4 42063443521 UPPER/LOWER,ISUZU TKG-NKR85AN-EE5AHY-JM  
PM5150310-00 MODIFICATION ASSY (11M:DATE,SLOW START/SLOW STOP 50%)**

指示番号 KEY NO.	カイゾウ ASSY (11M:データ,カンキトウカンテイシソクトウ 50%タンショウ) MODIFICATION ASSY (11M:DATE,SLOW START/SLOW STOP 50%)
2	ネームプレート ASSY NAME PLATE ASSY

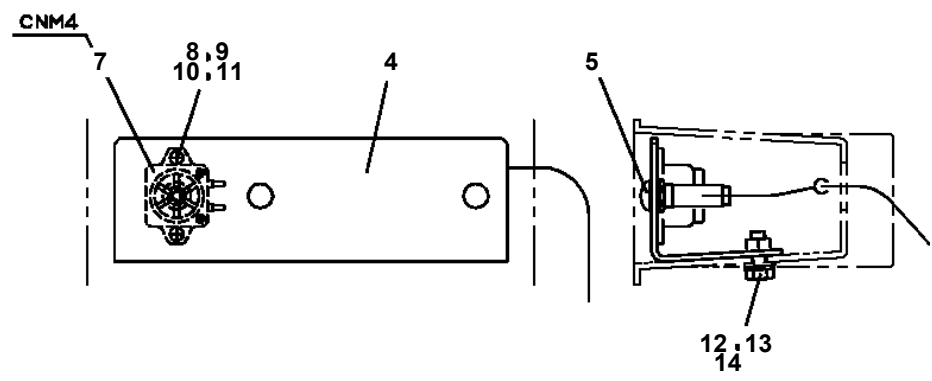
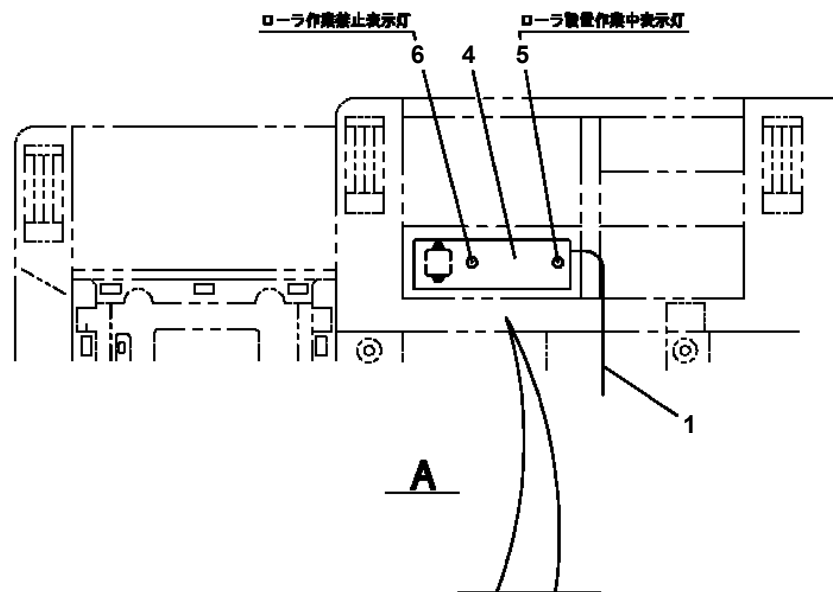
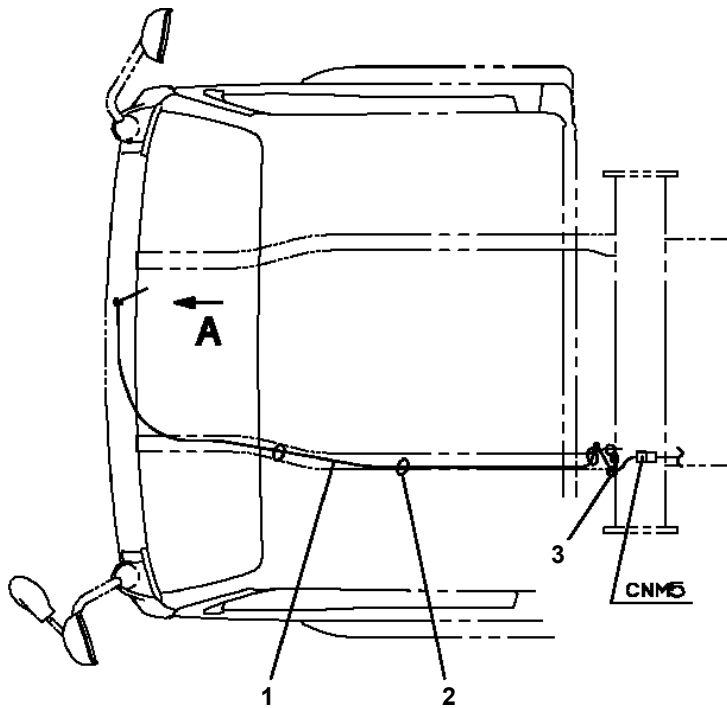
**AT-100-4 42063443521 UPPER/LOWER,ISUZU TKG-NKR85AN-EE5AHY-JM**

Pos No.	Parts No	Parts Name	Qty	Unit	Technical Data	Serial No (Start)	Serial No (End)	Remarks	Pages
1	42501131100	HARNESS	1						000111
2	82100002596	RELAY	5						
3	90186206016	BOLT,FLANGE	3		M6X16				
5	90303070601	WASHER,PLAIN	2		6				

AT-100-4 42063443521 UPPER/LOWER, ISUZU TKG-NKR85AN-EE5AHY-JM  
PN1014462-01 ELEC.ASSY (ROLLER JACK)



AT-100-4 42063443521 UPPER/LOWER, ISUZU TKG-NKR85AN-EE5AHY-JM  
 PN1014550-00 ELEC.ASSY (CARRIER/ROLLER JACK)



# AT-100-4 42063443521 UPPER/LOWER,ISUZU TKG-NKR85AN-EE5AHY-JM

Pos No.	Parts No	Parts Name	Qty	Unit	Technical Data	Serial No (Start)	Serial No
1	42502590100	SUPPORT	1				
2	90101208014	BOLT	2		M8X14		
3	90302040801	WASHER,SPRING	2		8		
4	90201200800	NUT	2		M8		
5	90813108016	BOLT,WING	1		M8X16		
6	42651490100	LAMP ASSY	1				
7	91810130240	FASTENER	2				
8	82401601002	CLAMP	2				
9	82100002004	CLAMP	1		WR8		
10	90101206010	BOLT	1		M6X1.0		
11	90302040601	WASHER,SPRING	1		6		
12	42970430200	HARNESS	1				
13	90101208022	BOLT	1		M8X22		
31	82165904020	LAMP	1		24V 60W		
32	90101212020	BOLT	1		M12X20		
33	90302041201	WASHER,SPRING	1		12		
34	37000113640	PIN	1				
41	82100000054	BULB,LAMP	1		24V 60W		
42	82100002838	SWITCH ASSY (WITH HARNESS,TERMINAL)	1				

**AT-100-4 42063443521 UPPER/LOWER,ISUZU TKG-NKR85AN-EE5AHY-JM**

Pos No.	Parts No	Parts Name	Qty	Unit	Technical Data	Serial No (Start)	Serial No (End)
3	82105220286	SWITCH,TOGGLE	5				
50	42653673600	SWITCH ASSY (WITH HARNESS,5 SW)	1				

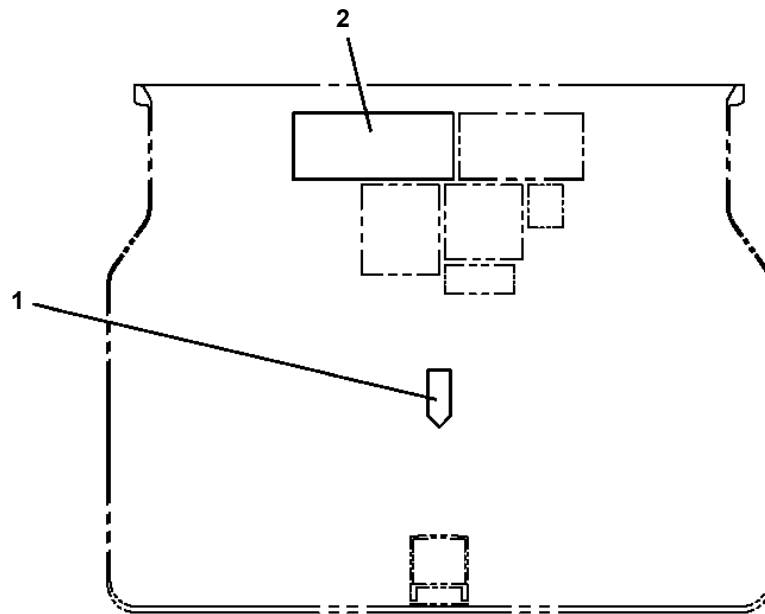
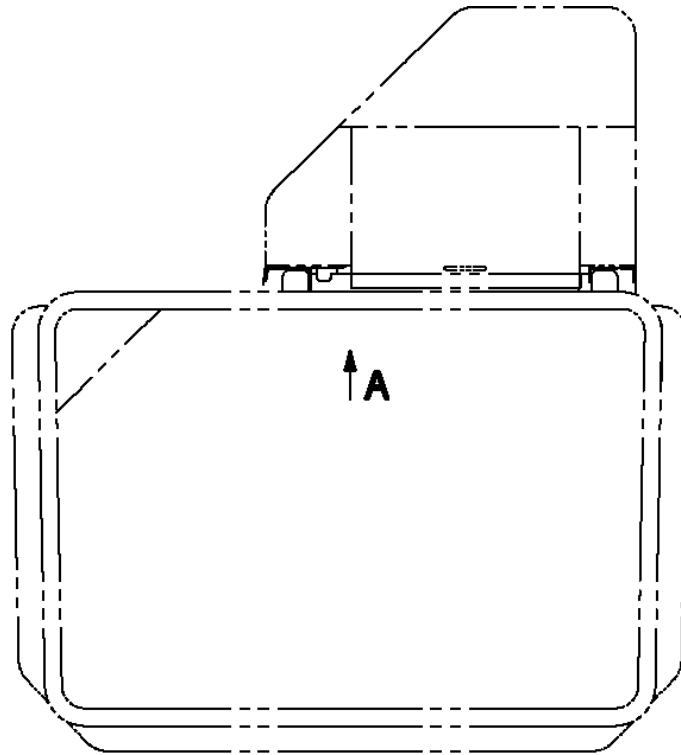
**AT-100-4 42063443521 UPPER/LOWER,ISUZU TKG-NKR85AN-EE5AHY-JM**

Pos No.	Parts No	Parts Name	Qty	Unit	Technical Data	Serial No (Start)	Se
2	42398131060	PLATE,CAUTION (CHECK BEFORE WORK START)	1				

# AT-100-4 42063443521 UPPER/LOWER,ISUZU TKG-NKR85AN-EE5AHY-JM

Pos No.	Parts No	Parts Name	Qty	Unit	Technical Data	Serial No (Start)	Serial No (End)	Remarks	Pages
1	42501840010	PLATE,NAME	1						
2	42501840020	PLATE,NAME	1						

AT-100-4 42063443521 UPPER/LOWER,ISUZU TKG-NKR85AN-EE5AHY-JM  
 PO1015359-01 PLATE ASSY,NAME (INSIDE BUCKET)



A



△警告 / 作業開始前点検	作業車が動かない場合の点検
<p>そのほかの作業を行う際には必ず安全確認を行って、次の「作業開始前点検」を行ってください。</p> <ul style="list-style-type: none"> <li>●AMCの点検。</li> <li>●AMCが正常動作しているか確認。</li> <li>●フロントボム・ブーム・バケットの点検確認。</li> <li>●油圧、ボクサー、油圧油の点検確認。</li> <li>●バケットの点検確認。</li> <li>●作業開始前に必ず安全確認を行ってください。</li> <li>●緊急停止装置【フットスイッチ】等の点検確認。</li> <li>●作業を中止すること。</li> </ul>	<ul style="list-style-type: none"> <li>●ストップスイッチが正常に動作しているかどうか？（バケット等、本機が動かない状態）</li> <li>●安全確認後、ストップスイッチを押し、ランプを点灯させてください。</li> <li>●ジョッキンボクサーが正常に動作しているかどうか？</li> <li>●ジョッキンボクサーを押し、ジョッキンボクサーを点灯させてください。</li> <li>●ロフトスイッチが正常に動作しているかどうか？（バケット等）</li> <li>●フットスイッチを押し、ランプを点灯させてください。</li> </ul>

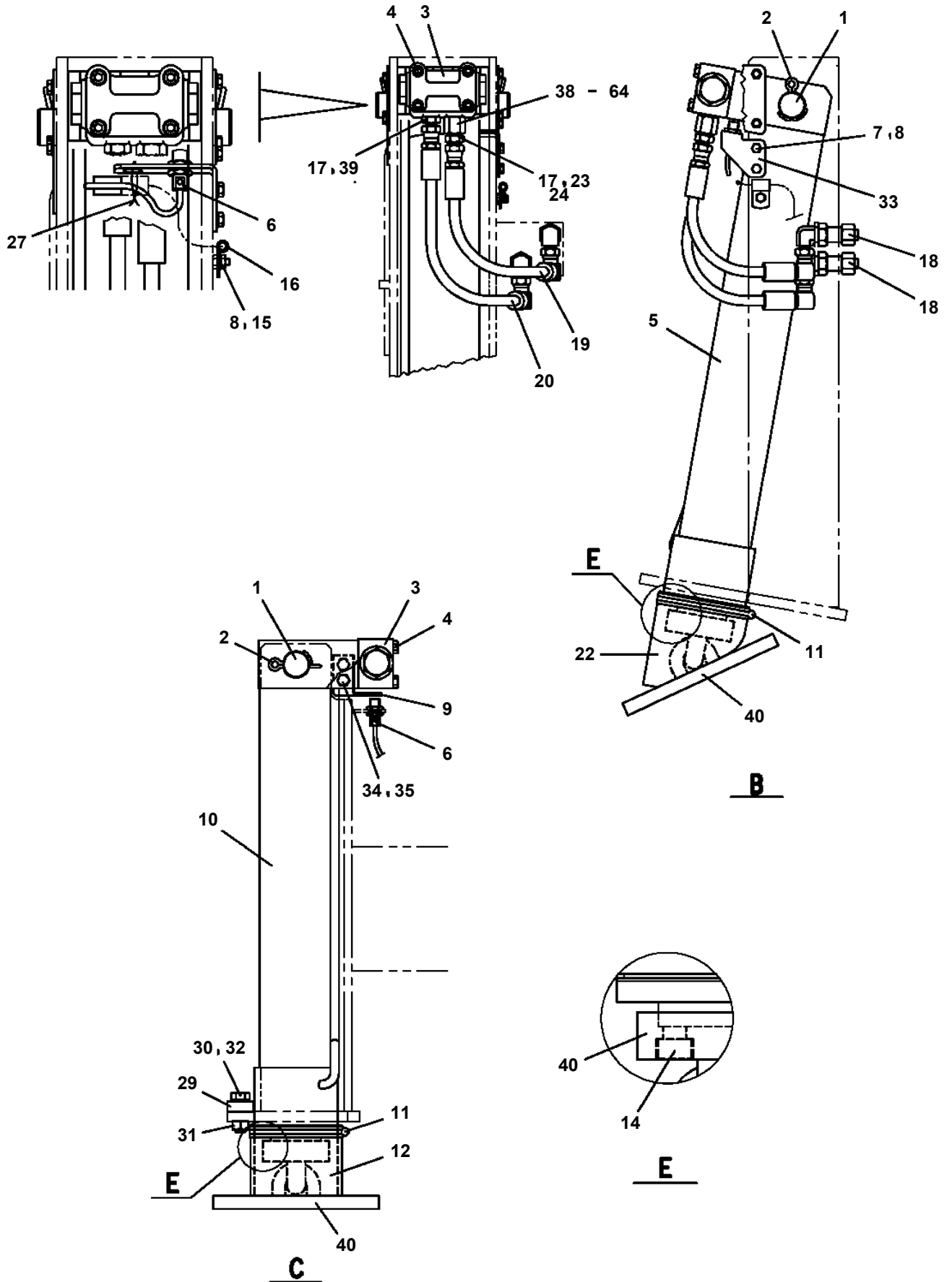
# AT-100-4 42063443521 UPPER/LOWER,ISUZU TKG-NKR85AN-EE5AHY-JM

Pos No.	Parts No	Parts Name	Qty	Unit	Technical Data	Serial No (Start)	Serial No (End)	Remarks	Pages
1	34393926560	PLATE (NON-SLIP)	1						

**AT-100-4 42063443521 UPPER/LOWER,ISUZU TKG-NKR85AN-EE5AHY-JM**

Pos No.	Parts No	Parts Name	Qty	Unit	Technical Data	Serial No (Start)	Serial No (End)
1	(*****)	OPE.ASSY,BUCKET	1				
2	(*****)	PLATE ASSY,NAME (UPPER CONTROLS)	1				
3	(*****)	PLATE ASSY,NAME (INSIDE BUCKET)	1				

AT-100-4 42063443521 UPPER/LOWER, ISUZU TKG-NKR85AN-EE5AHY-JM  
PO5270050-00 OUTRIGGER ASSY



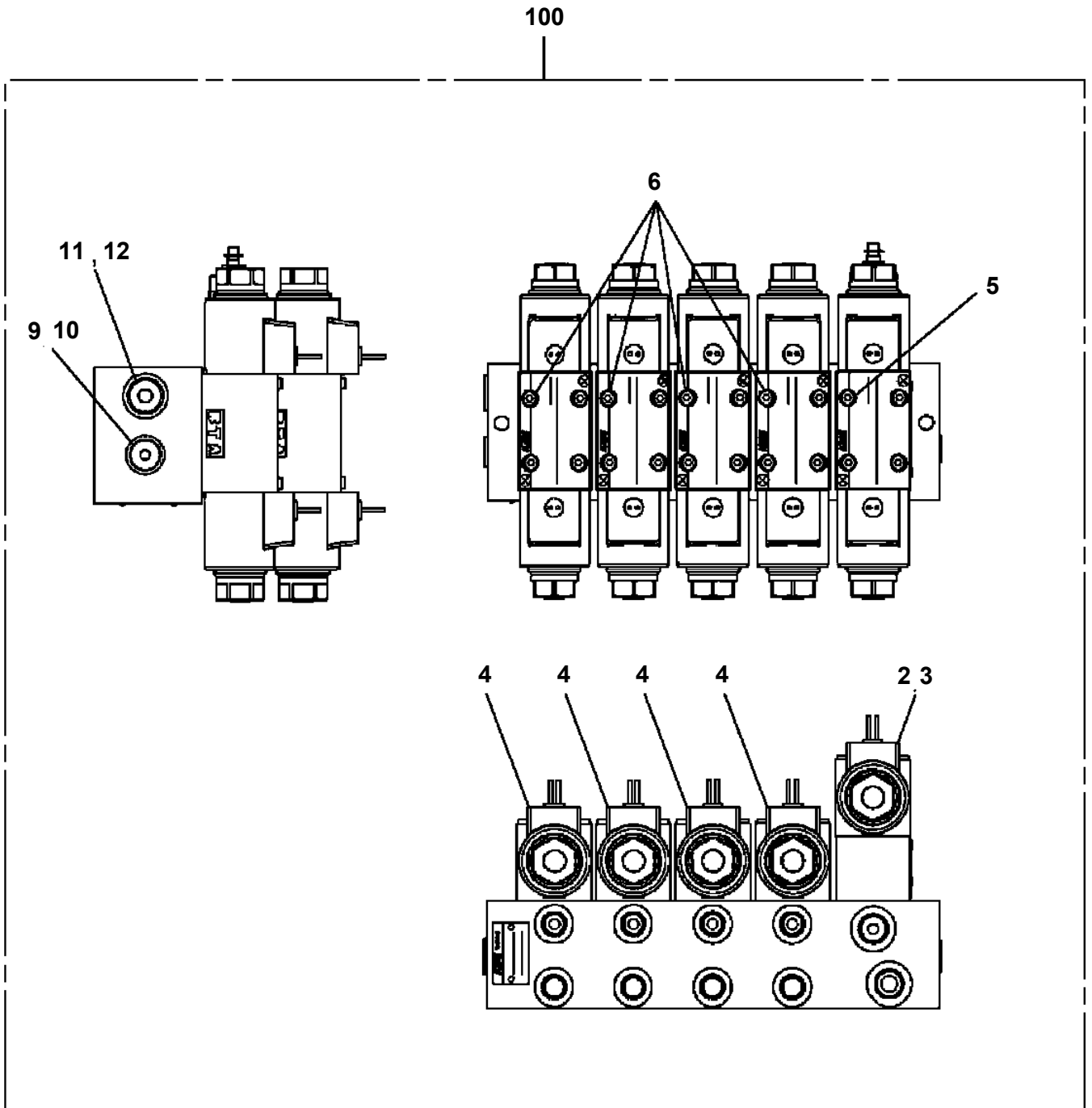
**AT-100-4 42063443521 UPPER/LOWER,ISUZU TKG-NKR85AN-EE5AHY-JM**

Pos No.	Parts No	Parts Name	Qty	Unit	Technical Data	Serial No (Start)	Serial No (End)	Remarks
1	42974559510	PLATE	1					
2	42974550200	PLATE,SLIDE	1					
3	90172108012	BOLT,HEXAGON SOCKET	3		M8X12			

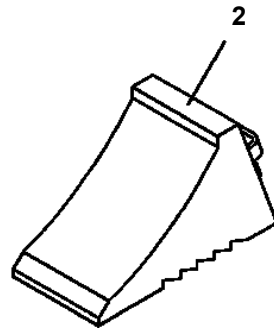
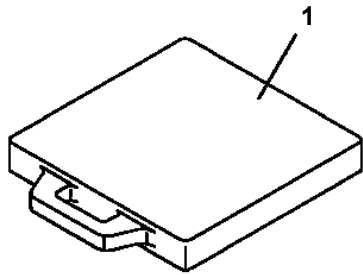
**AT-100-4 42063443521 UPPER/LOWER,ISUZU TKG-NKR85AN-EE5AHY-JM**

Pos No.	Parts No	Parts Name	Qty	Unit	Technical Data	Serial No (Start)	S
1	42973990100	SUPPORT (7 DEGREES ANGLE METER MOUNTING)	1				

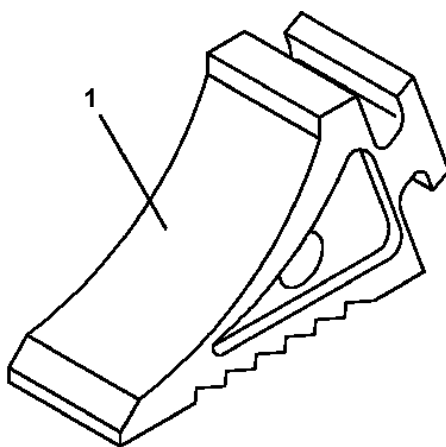
AT-100-4 42063443521 UPPER/LOWER, ISUZU TKG-NKR85AN-EE5AHY-JM  
PV5010005-00 VALVE ASSY (JACK CONTROL)



**AT-100-4 42063443521 UPPER/LOWER,ISUZU TKG-NKR85AN-EE5AHY-JM  
PW1010433-00 ACCESSORIES**



AT-100-4 42063443521 UPPER/LOWER,ISUZU TKG-NKR85AN-EE5AHY-JM  
PW5110005-00 WEDGE (YELLOW)



**AT-100-4 42063443521 UPPER/LOWER,ISUZU TKG-NKR85AN-EE5AHY-JM**

Pos No.	Parts No	Parts Name	Qty	Unit	Technical Data	Serial No (Start)	Serial No (End)	Remarks	Pages
1	42614000070	SUPPORT	1						
2	90101210025	BOLT	2		M10X25				
3	90302041001	WASHER,SPRING	2		10				

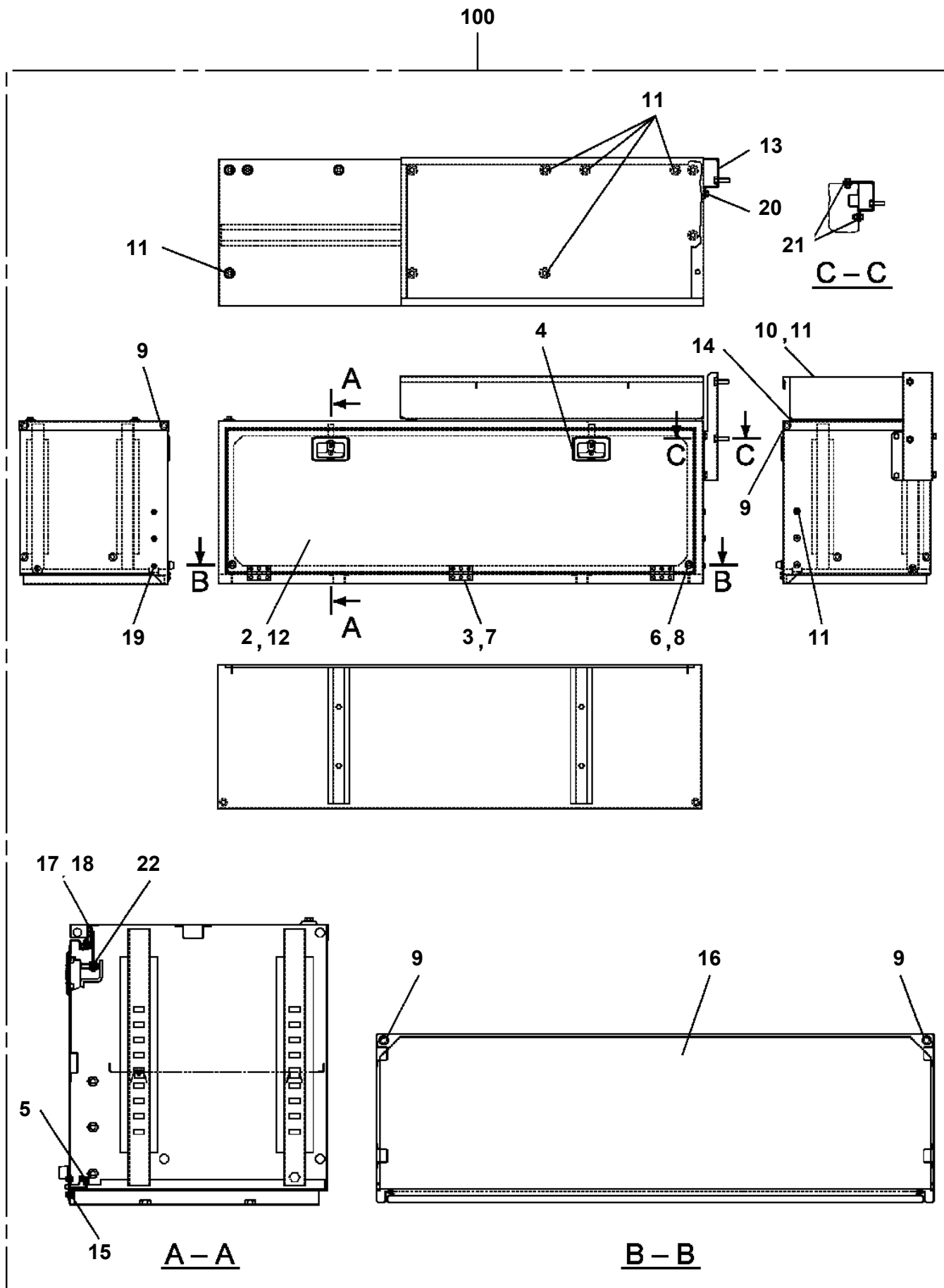
**AT-100-4 42063443521 UPPER/LOWER,ISUZU TKG-NKR85AN-EE5AHY-JM**

Pos No.	Parts No	Parts Name	Qty	Unit	Technical Data	Serial No (Start)	Serial No (End)	Remarks	Pages
1	42501680100	BOX,TOOL	1						
2	42501680200	PLATE	1						
3	90183112025	BOLT	3		M12X25				

# AT-100-4 42063443521 UPPER/LOWER,ISUZU TKG-NKR85AN-EE5AHY-JM

Pos No.	Parts No	Parts Name	Qty	Unit	Technical Data	Serial No (Start)	Serial No (End)	Remarks	Pages
1	42836073002	BOX,TOOL	1						000266
2	42835711002	BOX,TOOL	1						000267
3	90101210025	BOLT	8		M10X25				
4	90302041001	WASHER,SPRING	10		10				
5	37000506590	PLATE	8		T=1.6				
6	42835710010	SUPPORT	1						
7	90101208020	BOLT	6		M8X20				
11	42835710100	SUPPORT	1						
14	90101210020	BOLT	2		M10X20				
15	90303071001	WASHER,PLAIN	2		10				
16	42836480010	SUPPORT	1						
17	90303400801	WASHER	6		M8X19				
31	42398701010	PLATE,CAUTION	2						

AT-100-4 42063443521 UPPER/LOWER, ISUZU TKG-NKR85AN-EE5AHY-JM  
PX1351163-00 BOX, TOOL



**AT-100-4 42063443521 UPPER/LOWER,ISUZU TKG-NKR85AN-EE5AHY-JM**

Pos No.	Parts No	Parts Name	Qty	Unit	Technical Data	Serial No (Start)	Serial No (End)	Remarks	Pages
1	42971121002	BOX,TOOL	1						000274
2	42971120011	PLATE	1						
3	90101208014	BOLT	2		M8X14				
4	90303070801	WASHER,PLAIN	2		8				
5	90302040801	WASHER,SPRING	2		8				
6	42943630070	PLATE,NAME	1						

**AT-100-4 42063443521 UPPER/LOWER,ISUZU TKG-NKR85AN-EE5AHY-JM**

Pos No.	Parts No	Parts Name	Qty	Unit	Technical Data	Serial No (Start)	Serial No (End)	Remarks	Pages
1	42391860700	REFLECTOR (RED)	2						

**AT-100-4 42063443521 UPPER/LOWER,ISUZU TKG-NKR85AN-EE5AHY-JM**

Pos No.	Parts No	Parts Name	Qty	Unit	Technical Data	Serial No (Start)	Serial No
2	(*****)	MODIFICATION ASSY	1				
3	(*****)	OPE.ASSY,P.T.O. (COUPLING)	1				
4	(*****)	OPE.ASSY,ACCELERATOR	1				
5	(*****)	MOUNT,LAMP (TAIL)	1				
6	(*****)	MOUNT,TIRE	1				
7	(*****)	ELEC.ASSY (CARRIER)	1				
8	(*****)	ELEC.ASSY (BATTERY & EMERGENCY PUMP)	1				
10	(*****)	MOUNT ASSY,FRAME	1				
11	(*****)	STEP	1				
12	(*****)	PIPING,LOWER	1				
15	(*****)	WEIGHT	1				
21	(*****)	OUTRIGGER (ROLLER JACK)	1				
22	(*****)	ELEC.ASSY (CARRIER/ROLLER JACK)	1				

# AT-100-4 42063443521 UPPER/LOWER,ISUZU TKG-NKR85AN-EE5AHY-JM

Pos No.	Parts No	Parts Name	Qty	Unit	Technical Data	Serial No (Start)	Serial No (End)	Remarks	Pages
1	42838343001	BOX,TOOL	1						000036
2	42838341001	BOX,TOOL	1						000039
3	90101210025	BOLT	8		M10X25				
4	90302041001	WASHER,SPRING	10		10				
5	37000506590	PLATE	8		T=1.6				
6	42835710010	SUPPORT	1						
7	90101208020	BOLT	2		M8X20				
11	42835710100	SUPPORT	1						
14	90101210020	BOLT	2		M10X20				
15	90303071001	WASHER,PLAIN	2		10				
16	42836480010	SUPPORT	1						
17	90303400801	WASHER	6		M8X19				
18	90101208025	BOLT	4		M8X25				
41	42398701010	PLATE,CAUTION	2						

# AT-100-4 42063443521 UPPER/LOWER,ISUZU TKG-NKR85AN-EE5AHY-JM

Pos No.	Parts No	Parts Name	Qty	Unit	Technical Data	Serial No (Start)	Serial No (End)	Remarks	Pages
1	42838363001	BOX,TOOL	1						000038
2	42838341001	BOX,TOOL	1						000039
3	90101210025	BOLT	8		M10X25				
4	90302041001	WASHER,SPRING	10		10				
5	37000506590	PLATE	8		T=1.6				
6	42835710010	SUPPORT	1						
7	90101208020	BOLT	2		M8X20				
11	42835710100	SUPPORT	1						
14	90101210020	BOLT	2		M10X20				
15	90303071001	WASHER,PLAIN	2		10				
16	42836480010	SUPPORT	1						
17	90303400801	WASHER	6		M8X19				
18	90101208025	BOLT	4		M8X25				
41	42398701010	PLATE,CAUTION	2						

**AT-100-4 42063443521 UPPER/LOWER,ISUZU TKG-NKR85AN-EE5AHY-JM**

Pos No.	Parts No	Parts Name	Qty	Unit	Technical Data	Serial No (Start)	Serial No (End)	Remarks	Pages
1	42460021000	BELT,SAFETY	1						

CLICK HERE TO **DOWNLOAD** THE COMPLETE MANUAL

- Thank you very much for reading the preview of the manual.
- You can download the complete manual from: [www.heydownloads.com](http://www.heydownloads.com) by clicking the link below



- Please note: If there is no response to CLICKING the link, please download this PDF first and then click on it.

CLICK HERE TO **DOWNLOAD** THE COMPLETE MANUAL