

AT-230-1 42014100005 UPPER

PB1000341-01 HYDRAULIC PRESSURE GENERATING SYSTEM

PD1000345-01 SWING SYSTEM

PE1000586-01 ELEVATING SYSTEM

PG1000082-01 TELESCOPING SYSTEM

PH1000081-03 SAFETY DEVICES

PJ3000012-02 PLATFORM SYSTEM

PK1000087-00 FRAME

PL1000355-01 CONTROL DEVICES

PN1000542-00 ELECTRIC EQUIPMENT

PO1000083-01 INDICATION PLATES

PW1000072-00 ACCESSORIES & TOOLS

PY1001181-00 OPTIONS

ASSEMBLY

CLICK HERE TO **DOWNLOAD** THE COMPLETE MANUAL

- Thank you very much for reading the preview of the manual.
- You can download the complete manual from: www.heydownloads.com by clicking the link below



- Please note: If there is no response to CLICKING the link, please download this PDF first and then click on it.

CLICK HERE TO **DOWNLOAD** THE COMPLETE MANUAL

AT-230-1 42014100005 UPPER

Pos No.	Parts No	Parts Name	Qty	Unit	Technical Data	Serial No (Start)	Serial No (End)
1	36111570001	WORKING AREA LIMITER (STD)	1				
2	(*****)	DETECTOR,SWING ANGLE	1				
3	(*****)	CONNECTION,WORKING AREA LIMITER	1				
4	(*****)	FOOT SWITCH (BUCKET)	1				

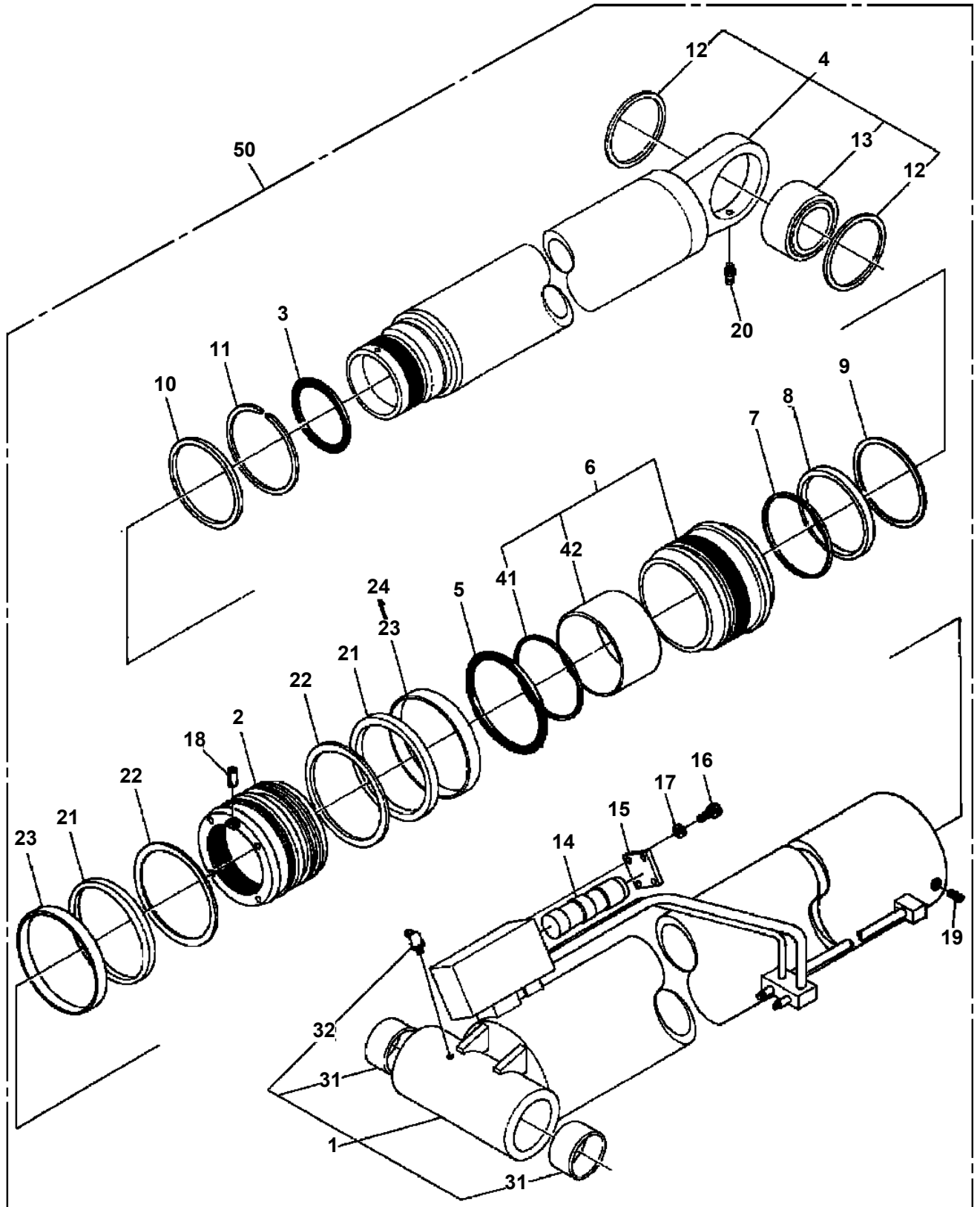
AT-230-1 42014100005 UPPER

Pos No.	Parts No	Parts Name	Qty	Unit	Technical Data	Serial No (Start)	Serial No (End)	R
1	(*****)	PLATE,INDICATION	1					
2	(*****)	PLATE ASSY,NAME (FOOT SWITCH)	1					
3	(*****)	PLATE ASSY,NAME (BUCKET)	1					

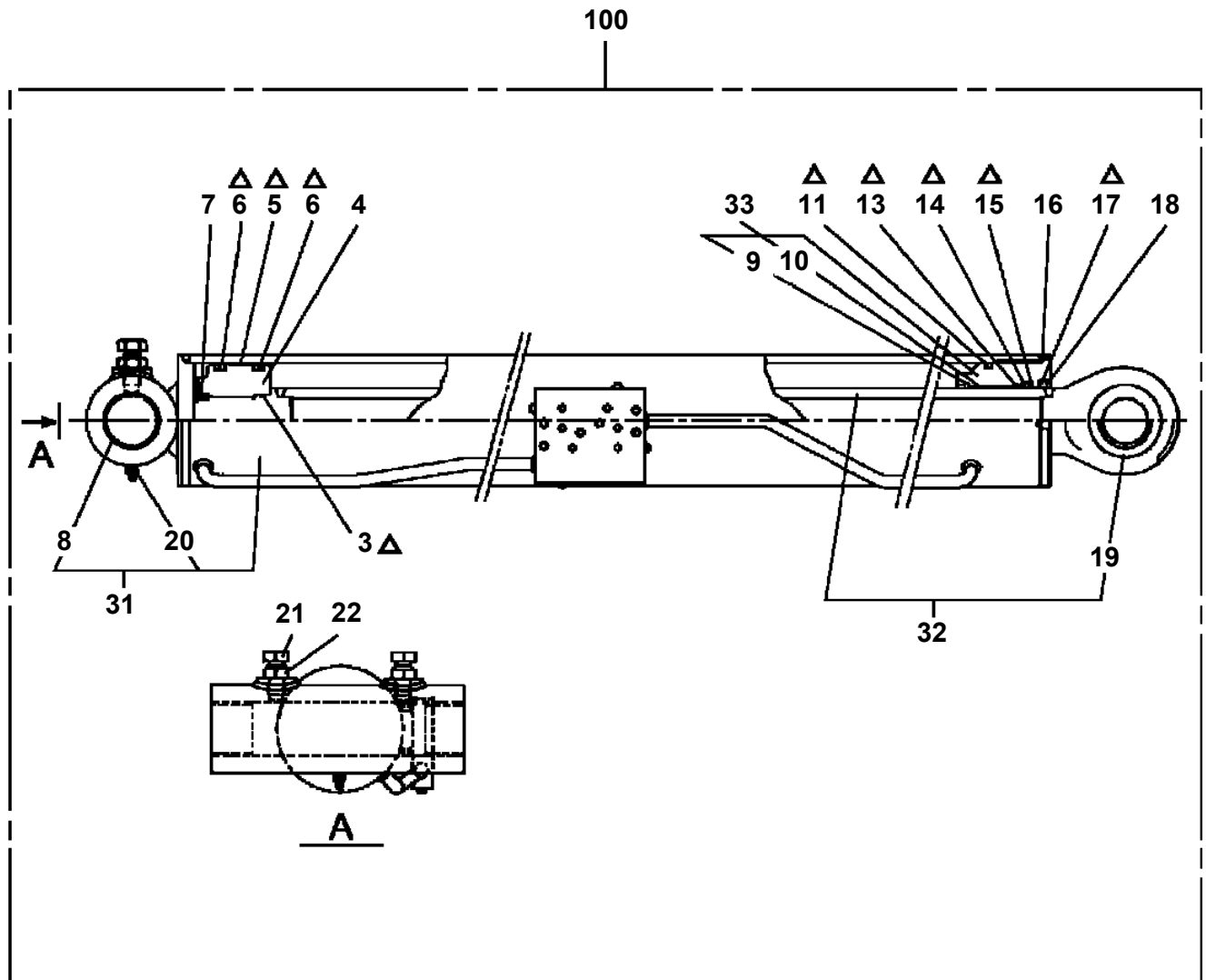
AT-230-1 4201410005 UPPER

Pos No.	Parts No	Parts Name	Qty	Unit	Technical Data	Serial No (Start)	Serial No (End)	Remarks
1	90101208016	BOLT	2		M8X16			
2	90302040801	WASHER,SPRING	2		8			
5	36630910060	NEEDLE	1					
6	36630910030	HOLDER	1					
7	91002801000	O-RING	1		1B P10			
8	91410001000	RING,BACKUP	1		P10			
9	36630910040	BODY	1					
10	36630910050	POPPET	1					
11	52255101000	SPRING	1					
12	91002801400	O-RING	1		1B P14			
13	36620030050	PLUG	1					
14	82400000350	KNOB	1					
15	37000508510	PLATE	1					
16	80172303006	SCREW,MACHINE	1		M3X6			
20	36630910000	VALVE,MANUAL CONTROL	1					

AT-230-1 42014100005 UPPER
PE1010034-02 CYLINDER,ELEVATING

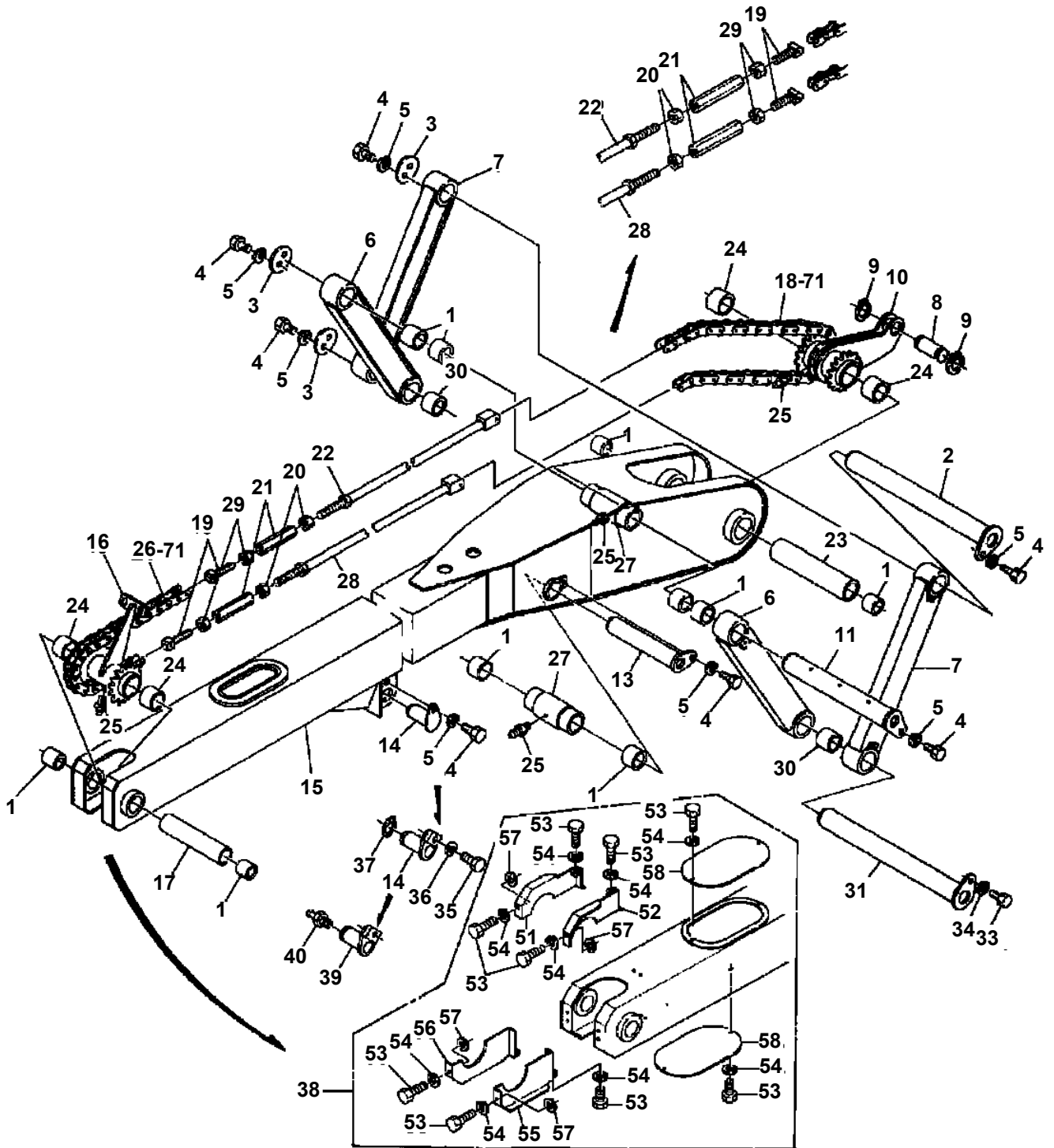


AT-230-1 42014100005 UPPER
PE1070027-02 CYLINDER, ARTICULATING



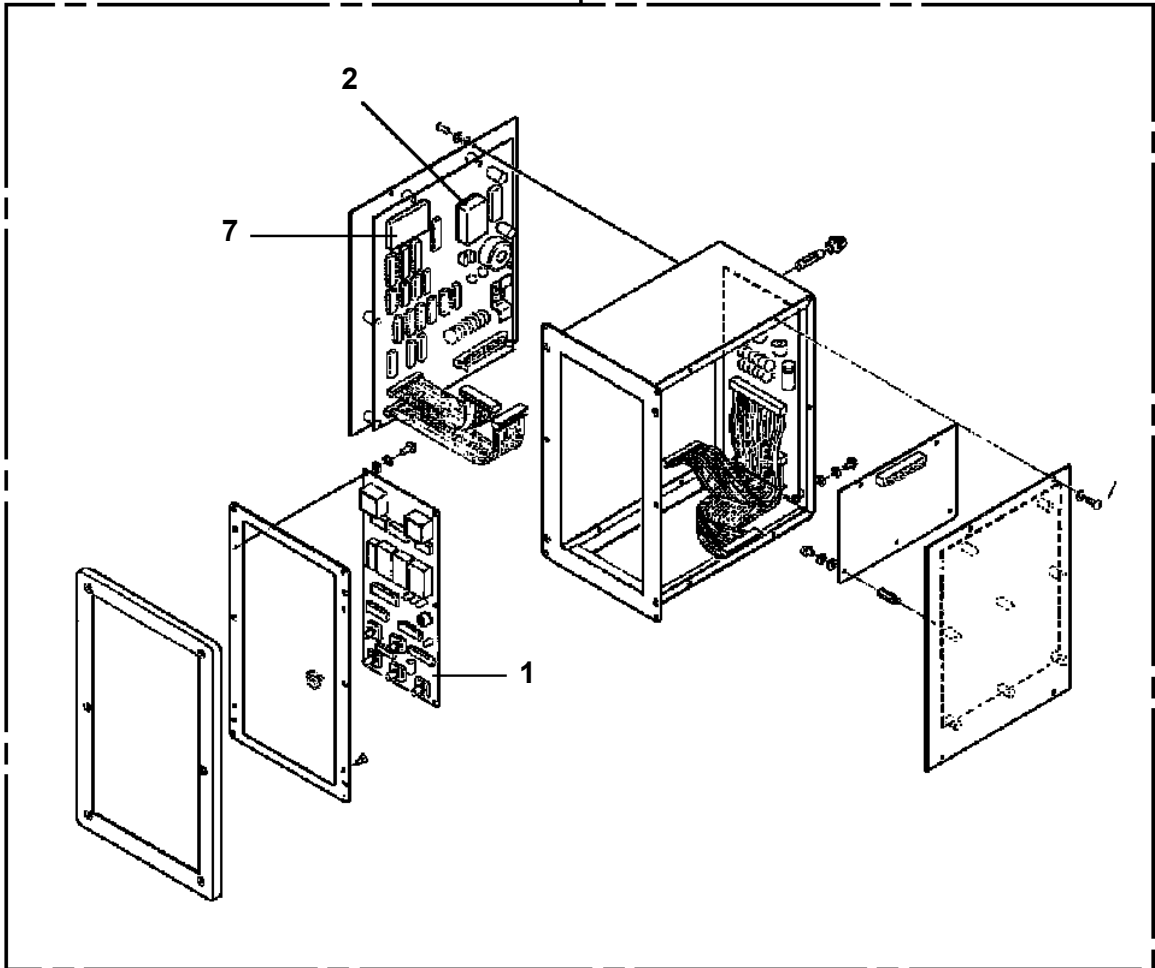
Δ: PACKING SET KEY NO.41 (KEY NO. 3, 5, 6, 11, 13, 14, 15, 17)

AT-230-1 42014100005 UPPER
PG1040025-03 JIB



**AT-230-1 42014100005 UPPER
PH1350006-01 WORKING AREA LIMITER (STD)**

100



CLICK HERE TO **DOWNLOAD** THE COMPLETE MANUAL

- Thank you very much for reading the preview of the manual.
- You can download the complete manual from: www.heydownloads.com by clicking the link below

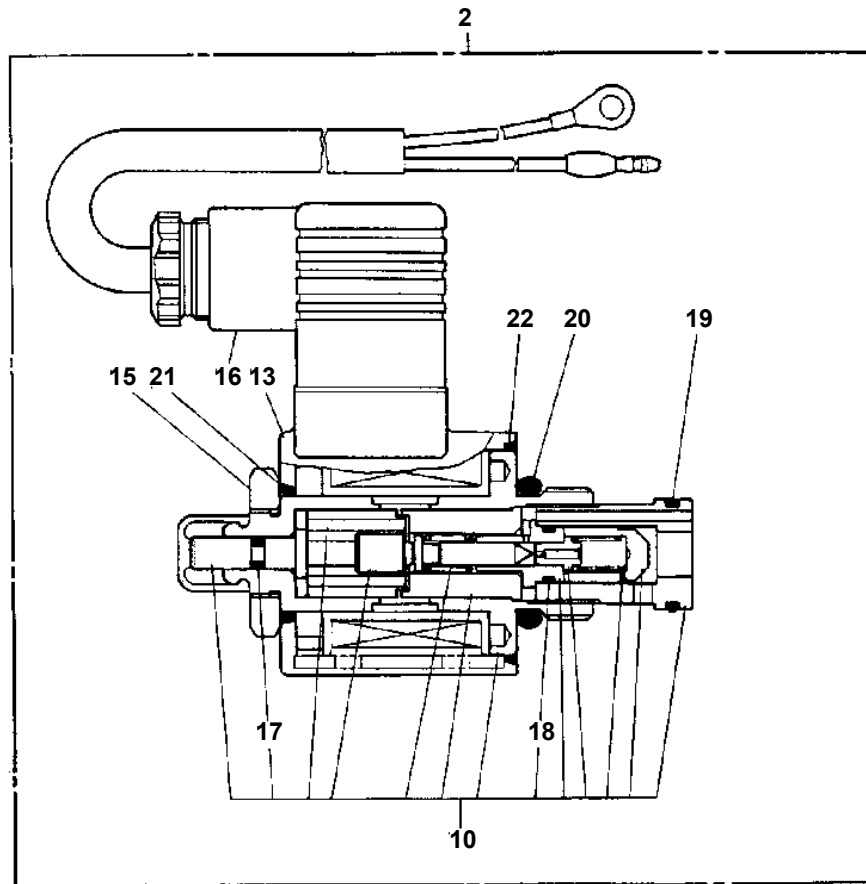
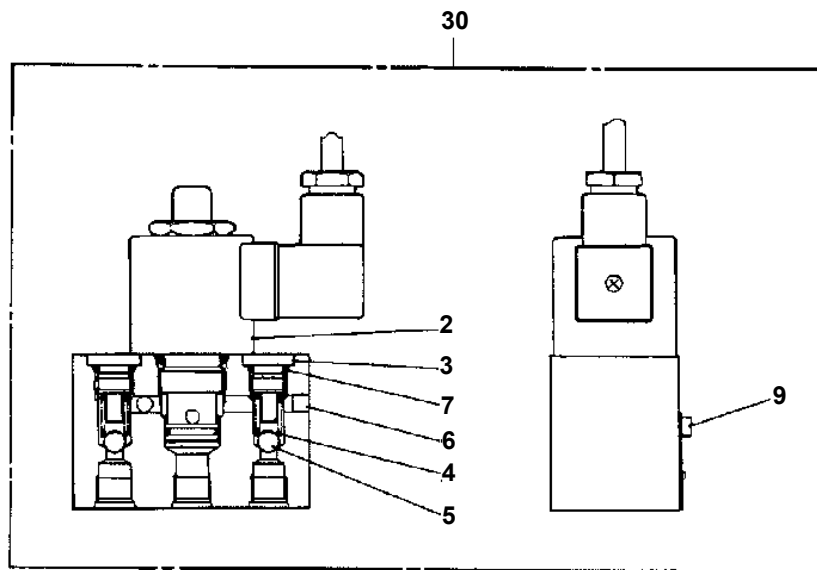


- Please note: If there is no response to CLICKING the link, please download this PDF first and then click on it.

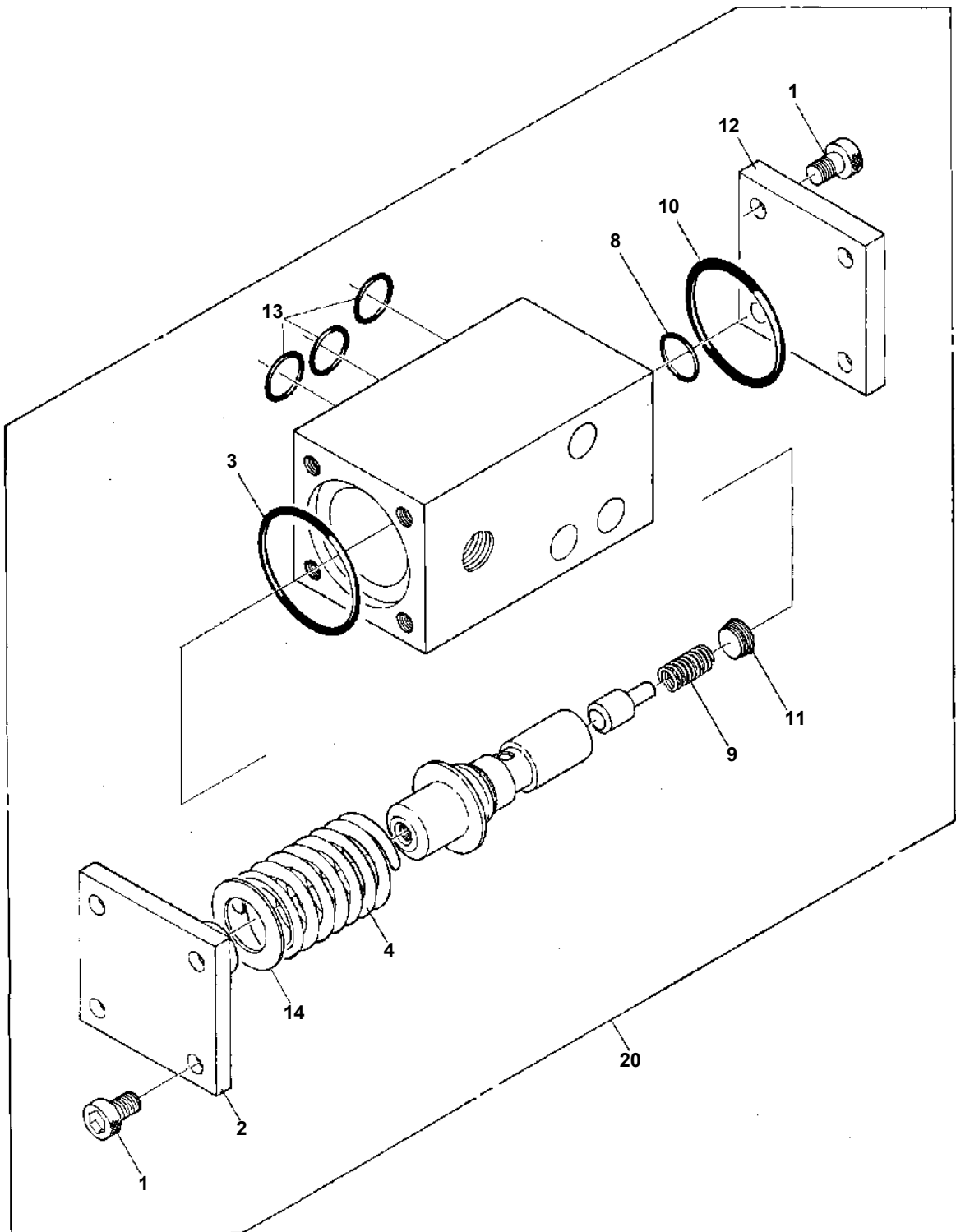
CLICK HERE TO **DOWNLOAD** THE COMPLETE MANUAL

AT-230-1 42014100005 UPPER
PI1120001-01 VALVE, SOLENOID

Assembly Name VALVE, SOLENOID



**AT-230-1 42014100005 UPPER
PI1250029-00 VALVE,COUNTERBALANCE**



AT-230-1 42014100005 UPPER

Pos No.	Parts No	Parts Name	Qty	Unit	Technical Data	Serial No (Start)	Serial No (End)	Remarks
1	42260590011	BUCKET	1					
2	42260590100	SUPPORT	1					
3	42260590200	PLATE	2					
4	90131510030	BOLT,HEXAGON SOCKET	4		M10X30			
5	90201401000	NUT	4		M10			
6	90302041001	WASHER,SPRING	4		10			
7	90101212100	BOLT	8		M12X100			
8	90303071201	WASHER,PLAIN	16		12			
9	90201201200	NUT	8		M12			
10	90302041201	WASHER,SPRING	8		12			
11	42430400200	CLAMP ASSY	1					
12	42260300030	PLATE	2					
13	42260300040	PLATE	2					

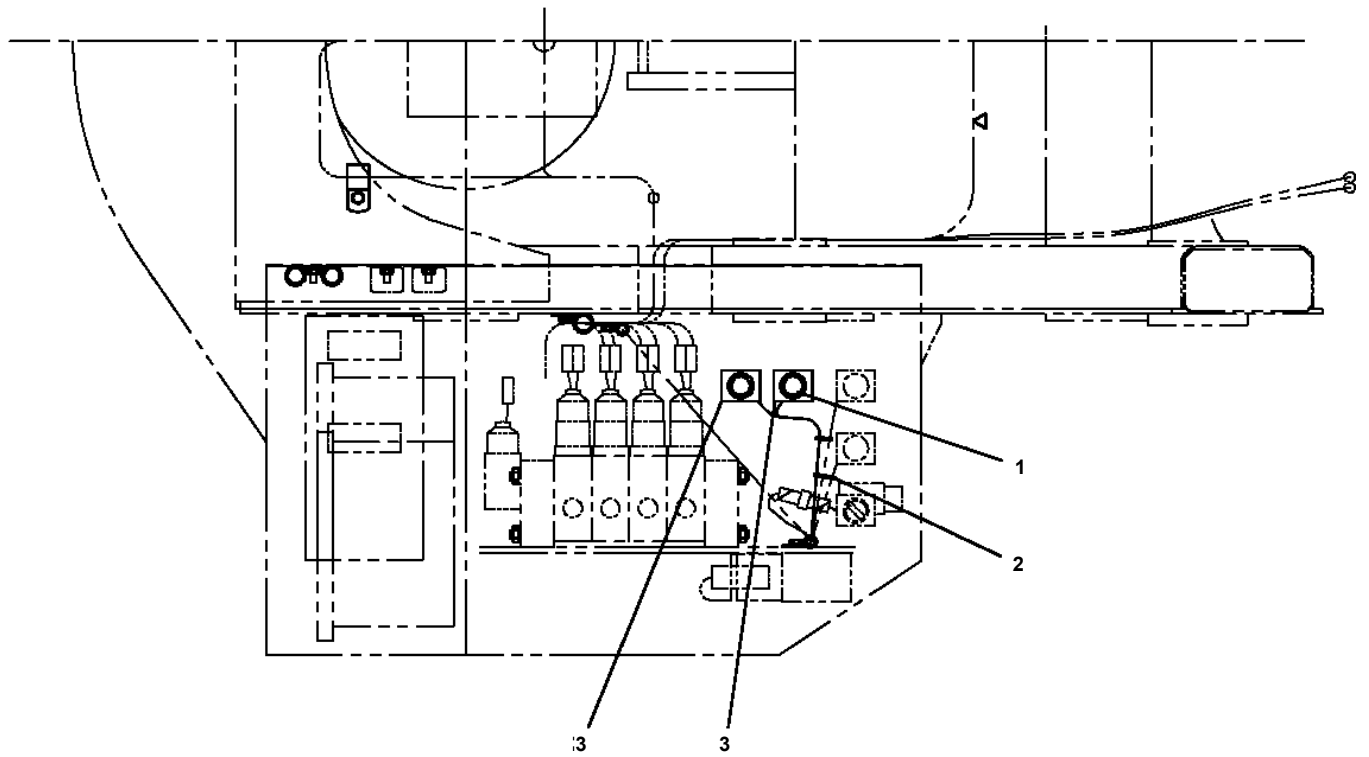
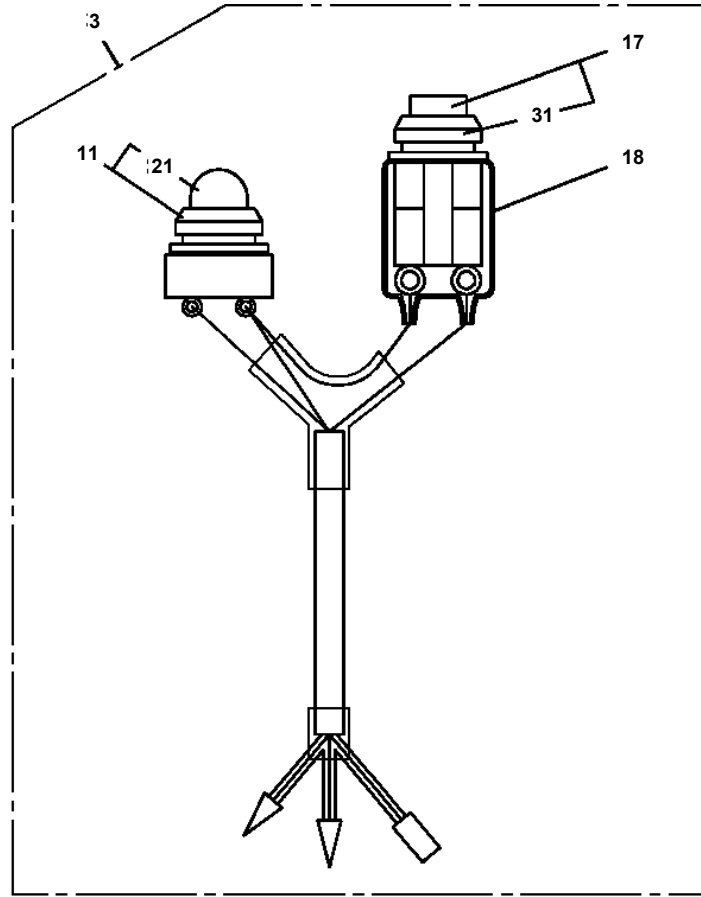
AT-230-1 4201410005 UPPER

Pos No.	Parts No	Parts Name	Qty	Unit	Technical Data	Serial No (Start)	Serial No (End)	Remarks	Pages
1	42270101000	COVER	1						
2	90101208012	BOLT	8		M8X12				
3	90302040801	WASHER,SPRING	8		8				
4	90303070801	WASHER,PLAIN	8		8				
5	37000508890	PLATE	8						
6	90101206014	BOLT	13		M6X14				
7	90302040601	WASHER,SPRING	17		6				
8	90303070601	WASHER,PLAIN	11		6				
9	37000508900	PLATE	6						
10	42270010010	COVER	1						
11	42270102000	COVER	1						
12	42270010020	SUPPORT	1						
13	42270010050	SUPPORT	1						
14	37000512320	PLATE	6						
15	42270100010	COVER	1						
16	42270100020	COVER	1						
17	42270103000	SUPPORT	1						
18	90101210025	BOLT	4		M10X25				
19	90302041001	WASHER,SPRING	4		10				
20	42270010101	COVER	1						
21	90101206010	BOLT	4		M6X1.0				
22	42270104000	COVER	1						
23	82400000200	GROMMET	6		KG-012,L=250				
24	82400000222	GROMMET	1						
25	90201201000	NUT	4		M10				
31	42270029510	COVER	1						

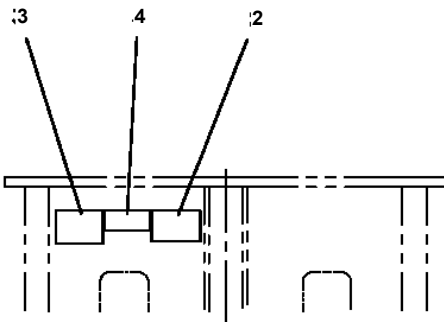
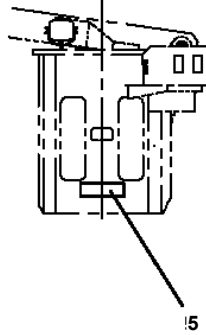
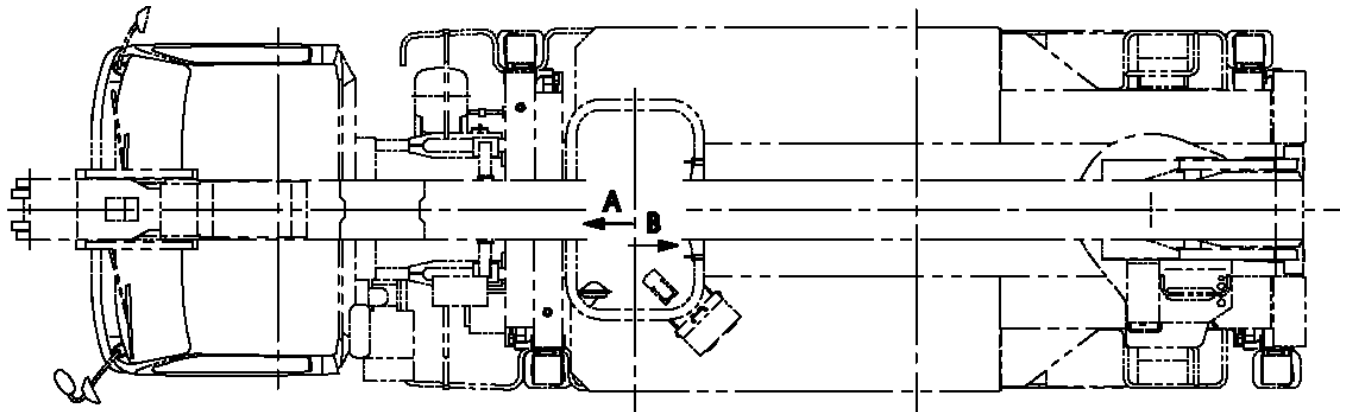
AT-230-1 4201410005 UPPER

Pos No.	Parts No	Parts Name	Qty	Unit	Technical Data	Serial No (Start)	Serial No (End)	Remarks	Page
1	36660025000	SHAFT	1						
3	80500006206	BEARING,BALL	1						
4	36660025021	COVER (OIL SEAL)	1						
5	36660025140	SEAL,OIL	1						
6	36663485110	RING,RETAINING	1		R72				
7	80720110020	PIN,SPRING	1		10X20				
8	36660025030	PLATE (CAM)	1						
9	80500006203	BEARING,BALL	1						
10	36660025040	O-RING	1		S112				
11	36660025051	COVER (BOTTOM)	1						
12	18335116540	WASHER,SPRING	6		M10				
13	90171110035	BOLT	6		M10X35				
16	14125151020	KEY	1						
17	91001206500	O-RING	1		1A G65				
18	80316030040	PLUG	1		PT1/4				
19	36660125050	PLUG	1		PT1/4				
20	36660025060	BARREL,CYLINDER	1						
21	36660125060	PLUG	2		PF3/8				
43	36660025090	SEAT,SPRING	5						
44	36660025100	SPRING (PLUNGER)	5						
46	12645103171	SPRING (CENTER)	1						
47	14125151300	RING,RETAINING	1						
100	36660020000	MOTOR,OIL	1						

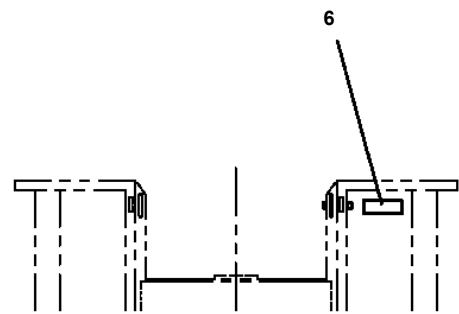
**AT-230-1 42014100005 UPPER
PN1010836-01 ELEC.ASSY (SELECT SWITCH)**



**AT-230-1 42014100005 UPPER
PO1012619-00 PLATE ASSY,NAME (BUCKET,FOR YONDEN ENG)**

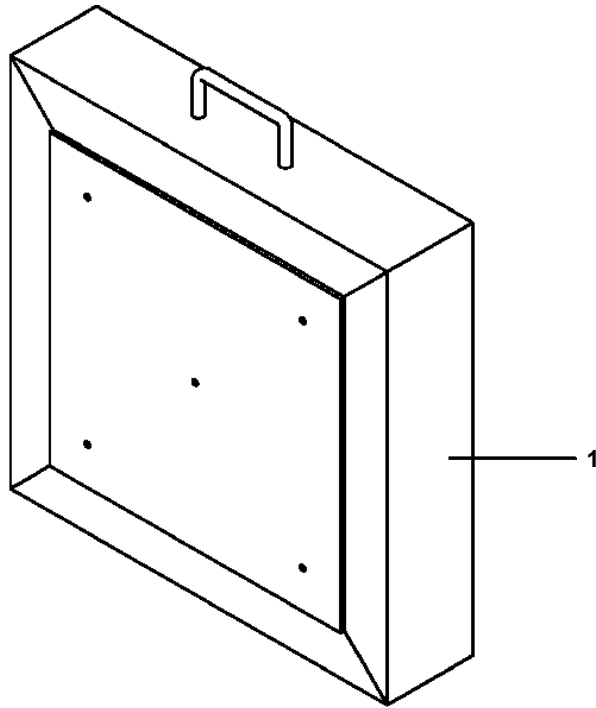


A



B

**AT-230-1 42014100005 UPPER
PX1270075-01 WOOD BLOCK (WITH RUBBER,T=80)**



CLICK HERE TO **DOWNLOAD** THE COMPLETE MANUAL

- Thank you very much for reading the preview of the manual.
- You can download the complete manual from: www.heydownloads.com by clicking the link below



- Please note: If there is no response to CLICKING the link, please download this PDF first and then click on it.

CLICK HERE TO **DOWNLOAD** THE COMPLETE MANUAL