

**AT-230-1 42014120900 LOWER, MITSUBISHI KC-FH217GN**

PX1000963-00 MOUNTING PARTS

PY1001195-00 OPTIONS

ASSEMBLY

CLICK HERE TO **DOWNLOAD** THE COMPLETE MANUAL

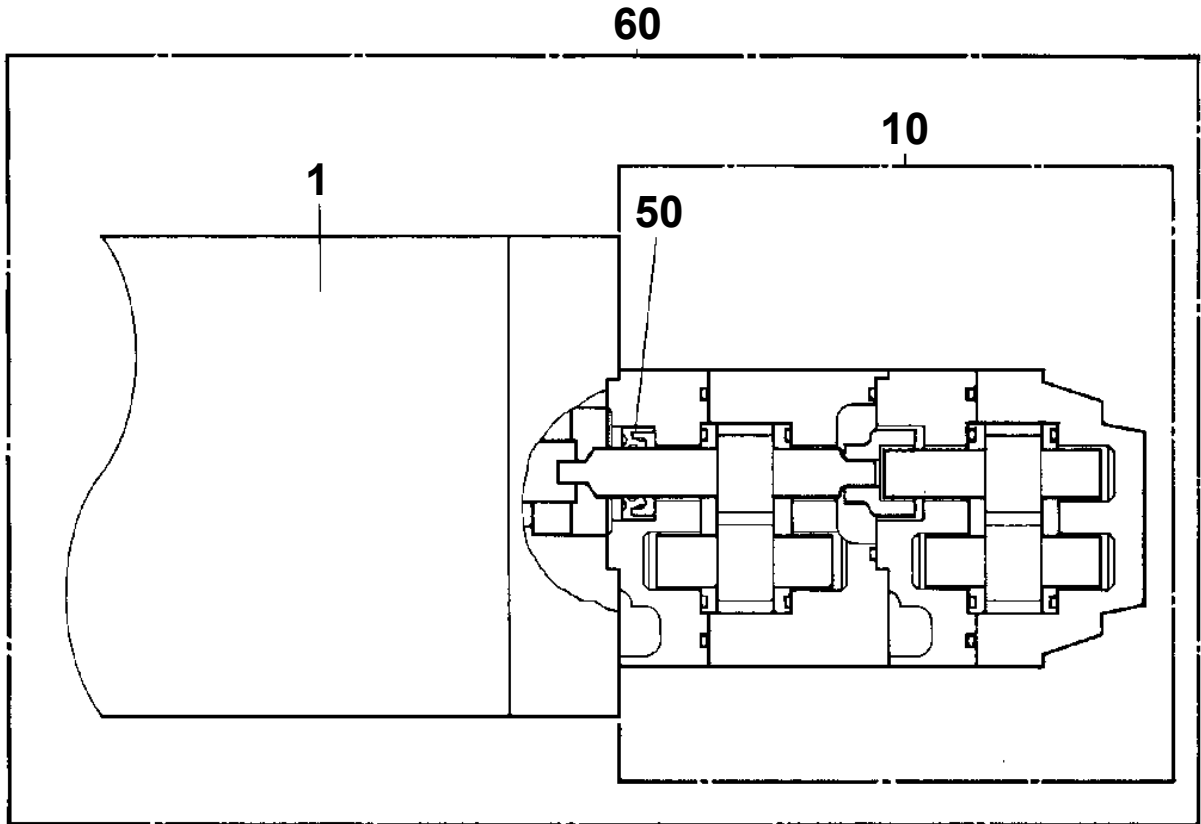
- Thank you very much for reading the preview of the manual.
- You can download the complete manual from: [www.heydownloads.com](http://www.heydownloads.com) by clicking the link below



- Please note: If there is no response to CLICKING the link, please download this PDF first and then click on it.

CLICK HERE TO **DOWNLOAD** THE COMPLETE MANUAL

AT-230-1 42014120900 LOWER, MITSUBISHI KC-FH217GN  
PB1100034-00 PUMP, HYDRAULIC (EMERGENCY)



# AT-230-1 42014120900 LOWER,MITSUBISHI KC-FH217GN

Pos No.	Parts No	Parts Name	Qty	Unit	Technical Data	Serial No (Start)	Serial No (End)	Remarks	F
1	32610000011	COVER	2						
2	90101208016	BOLT	4		M8X16				
3	90302041001	WASHER,SPRING	8		10				
4	42610280010	PIN	2						
5	80601110320	RING,RITAINING	4		S32				
6	36620220001	VALVE,PILOT CHECK	2						0
7	90101510040	BOLT	4		M10X40				
8	42610291001	CASE,INNER	2						
9	37000600920	CLAMP	2		L=90				
10	37000104380	PIN	4						
11	80136332036	PIN,SPLIT	8		3.2X36				
12	36040260000	CYLINDER,EXTENSION	2						0
13	37002407200	HOSE,TWIN	2		L=2060				
14	80430450450	JOINT	4		YL502				
15	37000104390	PIN	2						
16	36030140000	CYLINDER,JACK	2				385395		0
	36030140001	CYLINDER,JACK	2			385396			0
17	32610020010	CASE,INNER	2						
18	37000104430	PIN	2						
19	80601110300	RING,RITAINING	4		S30				
20	90302040801	WASHER,SPRING	8		8				
21	32610000040	SPACER	4		L=12				
22	32610020030	SUPPORT ASSY	2						
23	90101210020	BOLT	4		M10X20				
24	90101208012	BOLT	4		M8X12				
25	90201200800	NUT	4		M8				
28	42610280020	PLATE,SLIDE	3		T=10				
29	42610280030	PLATE,SLIDE	3		T=9.0				
30	42610280040	PLATE,SLIDE	3		T=8.0				
31	42610280050	PLATE,SLIDE	6		T=7.0				
32	90101210012	BOLT	10		M10X12				
33	90101210018	BOLT	2		M10X18				
35	42610280070	PLATE,SLIDE	3		T=4.0				
36	42610280080	PLATE,SLIDE	3		T=5.0				
37	42610280090	PLATE,SLIDE	3		T=6.0				
38	42610280100	PLATE,SLIDE	3		T=3.2				
41	33610002520	PLATE,SLIDE	2						
43	90101210020	BOLT	4		M10X20				
44	90302041001	WASHER,SPRING	4		10				
45	90201201000	NUT	4		M10				
50	32610029511	FLOAT ASSY (T=22)	4						

# AT-230-1 42014120900 LOWER,MITSUBISHI KC-FH217GN

Pos No.	Parts No	Parts Name	Qty	Unit	Technical Data	Serial No (Start)	Serial No (End)
1	82100002667	SWITCH,LIMIT	1				
2	36634190000	VALVE,MANUAL CONTROL (OUTRIGGER)	1				
3	90101208025	BOLT	3		M8X25		
4	90302040801	WASHER,SPRING	7		8		
5	37000105610	PIN	20		L=18		
6	90303070501	WASHER,PLAIN	20		5		
7	80136320015	PIN,SPLIT	20		2X15		
8	42700080010	LINK	5				
9	90302040801	WASHER,SPRING	1		8		
10	37000508600	PLATE	2				
11	42700010050	LINK	5				
12	42700010100	LEVER	1				
13	42700010150	LEVER	1				
14	42700010180	LEVER	1				
15	42700010210	LEVER	1				
16	42700010240	LEVER	1				
17	31320020020	KNOB (RED)	1				
18	31320020010	KNOB (BLACK)	4				
20	37000112350	PIN	1				385428
	37000176740	PIN	1			385429	
21	90101208012	BOLT	1		M8X12		
22	42700010300	SUPPORT	1				385428
	42700010301	SUPPORT	1			385429	
23	90101208016	BOLT	4		M8X16		
24	42700010350	SUPPORT	1				
25	32700007500	LEVEL	1				
26	42700010360	SPACER	1		L=46		
30	42700611000	LEVER ASSY	1				

# AT-230-1 42014120900 LOWER,MITSUBISHI KC-FH217GN

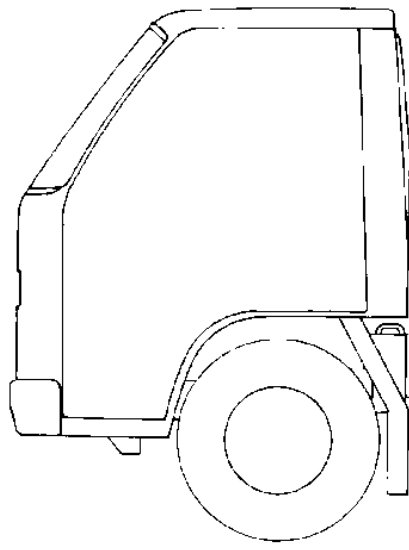
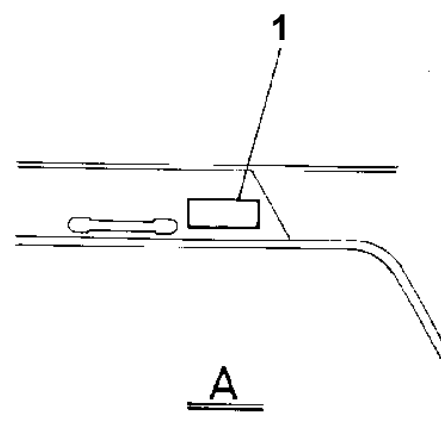
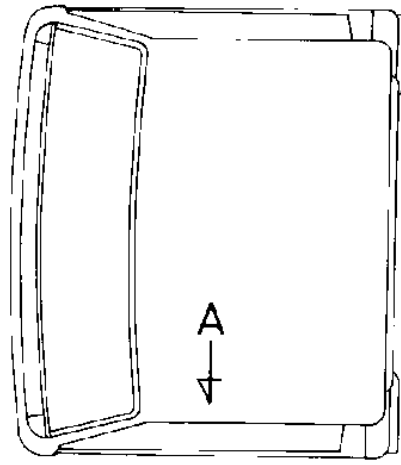
Pos No.	Parts No	Parts Name	Qty	Unit	Technical Data	Serial No (Start)	Serial No (End)	Remarks	Pa
1	36620030010	PLUG	1		PF3/8				
2	91002801400	O-RING	2		1B P14				
3	52255101000	SPRING	1						
5	91002801000	O-RING	2		1B P10				
7	91002800700	O-RING	1		1B P7				
9	36620030050	PLUG	1						
20	36620220001	VALVE,PILOT CHECK	1						

# AT-230-1 42014120900 LOWER,MITSUBISHI KC-FH217GN

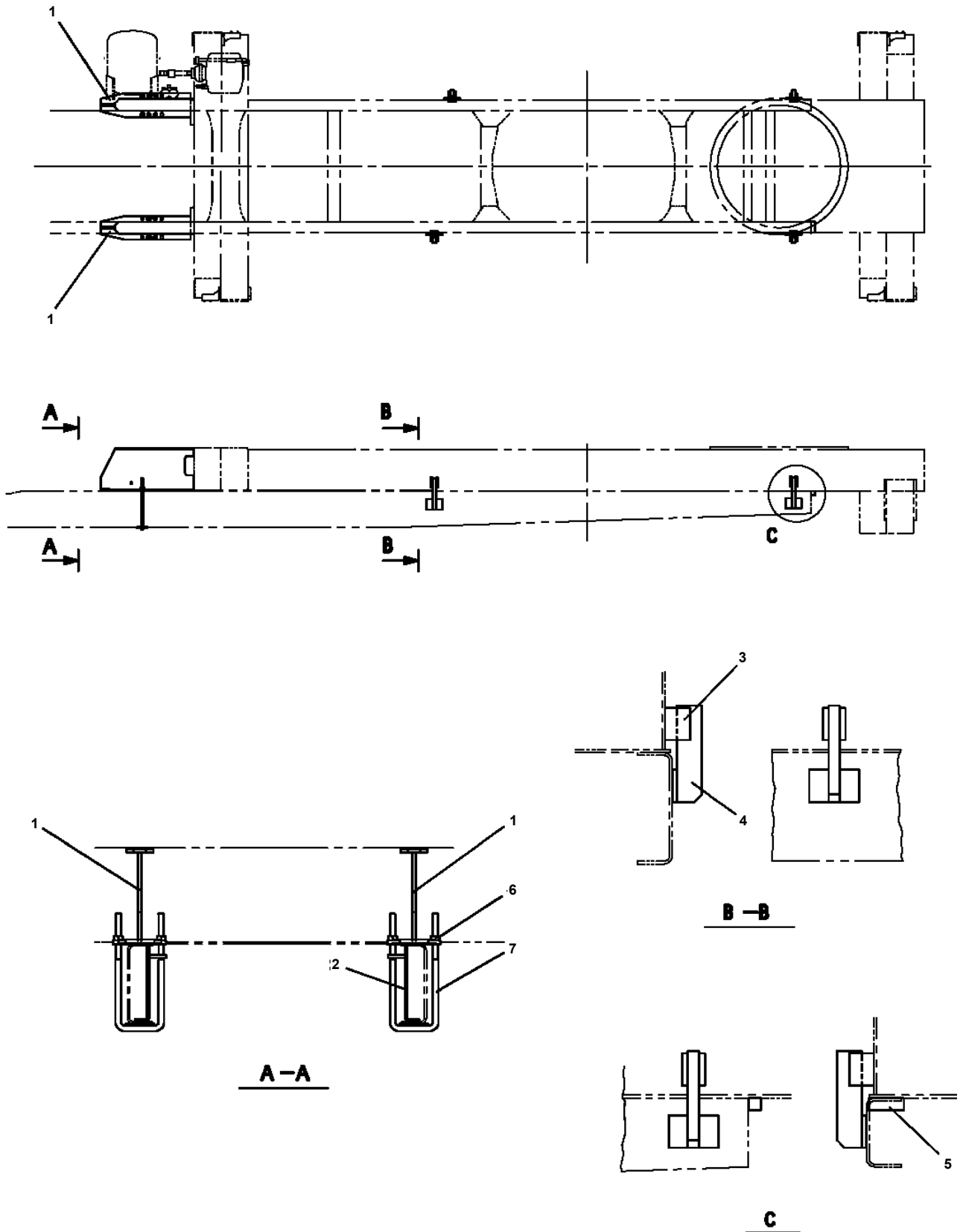
Pos No.	Parts No	Parts Name	Qty	Unit	Technical Data	Serial No (Start)	Serial No (End)	Remarks	Pages
1	91810130240	FASTENER	6						
2	42804711000	BOX ASSY	1						
3	90101208030	BOLT	2		M8X30				
4	90302040801	WASHER,SPRING	2		8				
5	90303070801	WASHER,PLAIN	2		8				
6	90201200800	NUT	2		M8				
11	82100001855	CONNECTOR	1						
13	42474472100	BOX	1						
14	82100002004	CLAMP	1		WR8				
15	90101206012	BOLT	1		M6X12				
16	90201200600	NUT	1		M6				
17	90302040601	WASHER,SPRING	1		6				
18	90303070601	WASHER,PLAIN	1		6				
32	42804711010	HARNESS	1						

**AT-230-1 42014120900 LOWER, MITSUBISHI KC-FH217GN**  
**PO1011695-00 PLATE, INDICATION**

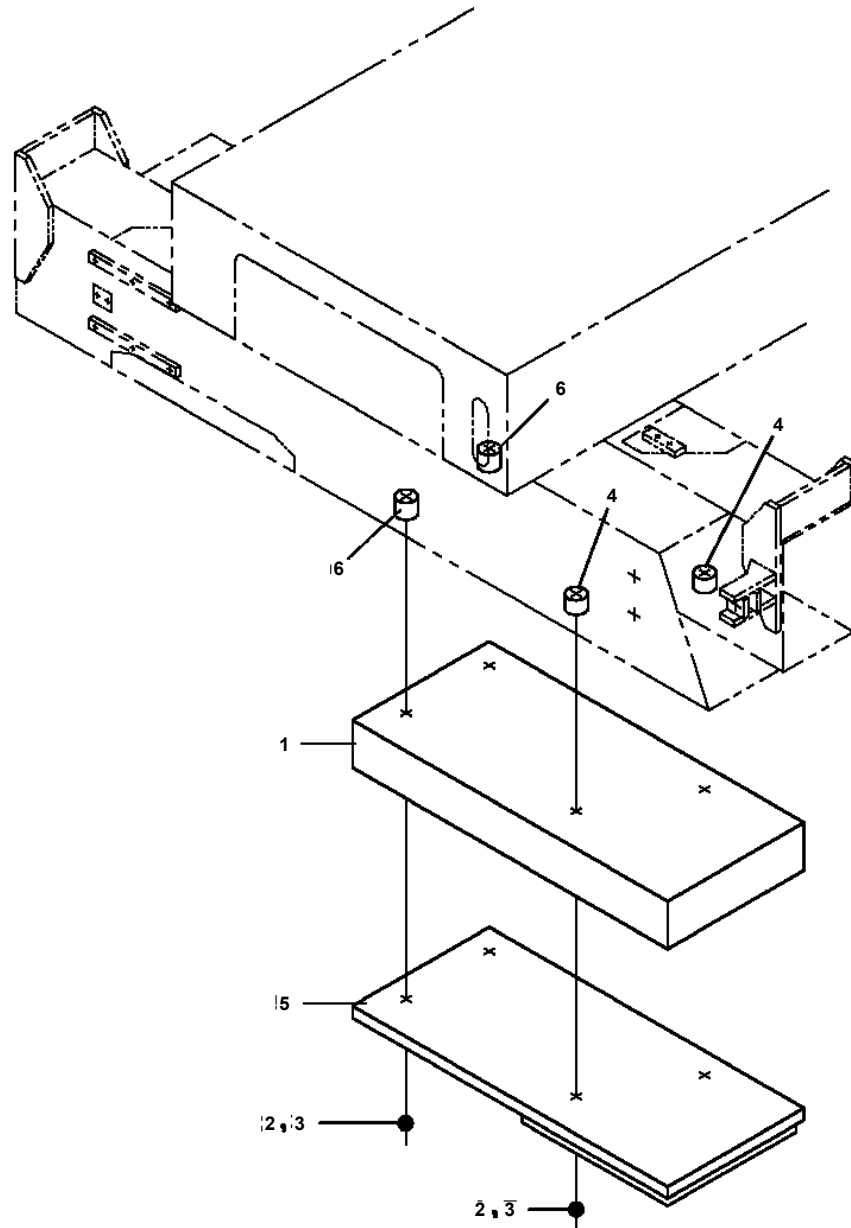
Assembly Name PLATE, INDICATION



AT-230-1 42014120900 LOWER, MITSUBISHI KC-FH217GN  
PX1170284-00 ATTACHMENT PARTS, CRANE FRAME



**AT-230-1 42014120900 LOWER, MITSUBISHI KC-FH217GN  
PX1290241-00 WEIGHT INSTALLATION**



CLICK HERE TO **DOWNLOAD** THE COMPLETE MANUAL

- Thank you very much for reading the preview of the manual.
- You can download the complete manual from: [www.heydownloads.com](http://www.heydownloads.com) by clicking the link below



- Please note: If there is no response to CLICKING the link, please download this PDF first and then click on it.

CLICK HERE TO **DOWNLOAD** THE COMPLETE MANUAL