

AT-200S-2 42076231200 LOWER,HINO BDG-XZU424M-TKFSE3

PB3000107-01 POWER UNIT

PO1000171-00 INDICATION PLATES

PW1000118-00 ACCESSORIES & TOOLS

PX2001246-00 CARRIER UNIT

PX3000668-00 MOUNTING UNIT

PY1001666-00 OPTIONS,1

ASSEMBLY

CLICK HERE TO **DOWNLOAD** THE COMPLETE MANUAL

- Thank you very much for reading the preview of the manual.
- You can download the complete manual from: www.heydownloads.com by clicking the link below



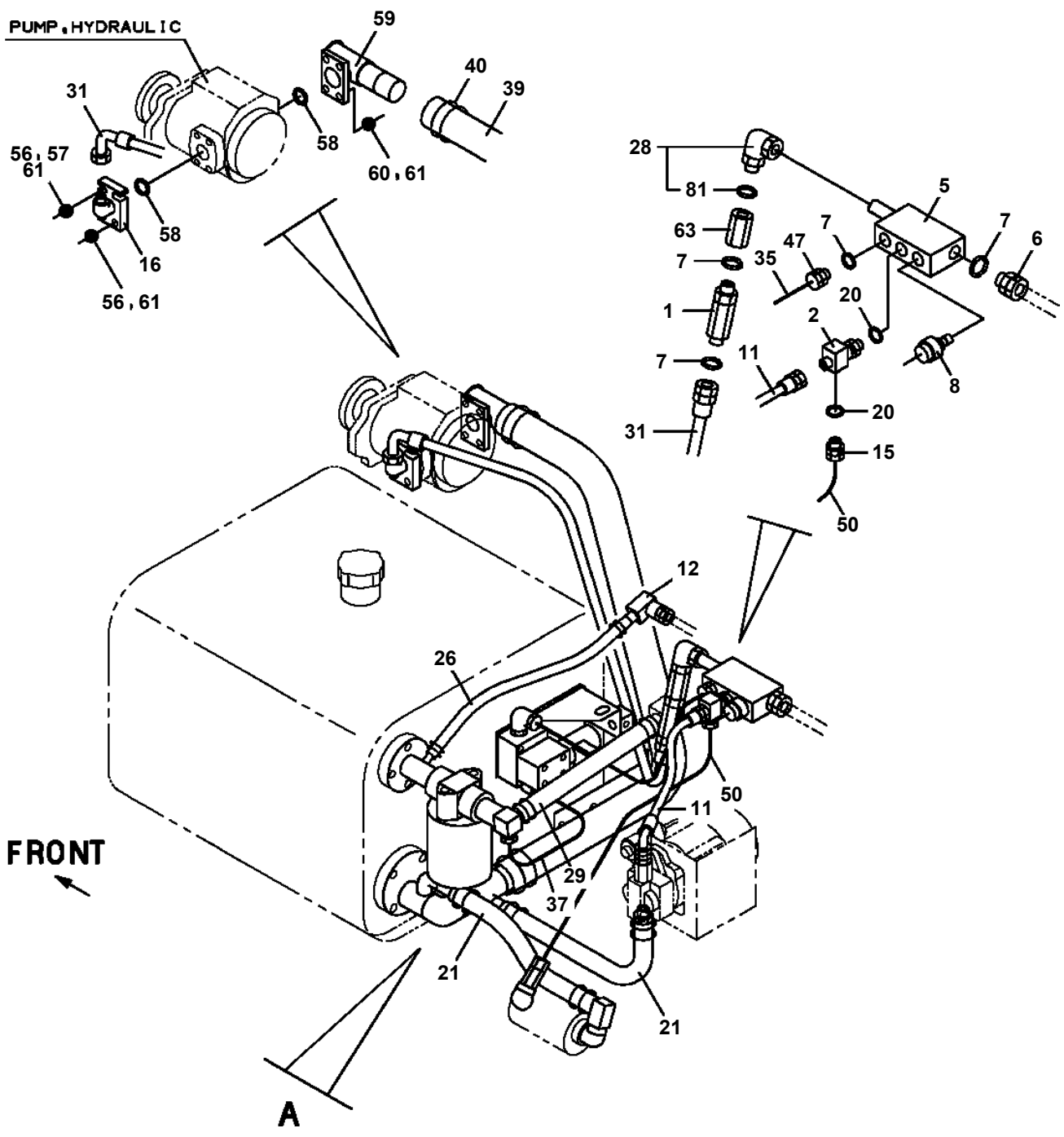
- Please note: If there is no response to CLICKING the link, please download this PDF first and then click on it.

CLICK HERE TO **DOWNLOAD** THE COMPLETE MANUAL

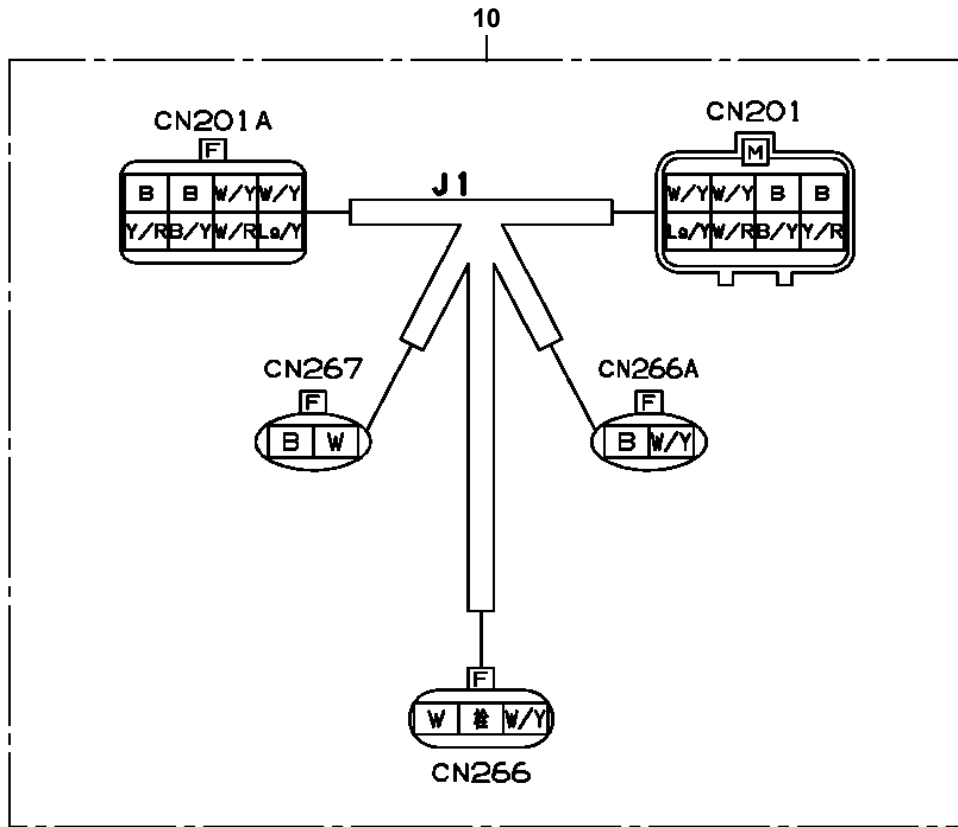
AT-200S-2 42076231200 LOWER,HINO BDG-XZU424M-TKFSE3

Pos No.	Parts No	Parts Name	Qty	Unit	Technical Data	Serial No (Start)	Serial No (End)	Remarks	P
1	(*****)	FENDER	2						00
2	(*****)	SIDE GUARD	2						00
3	(*****)	BUMPER IMSTALLATION	2						00
11	(*****)	MOUNT,GENERATOR	2						00

**AT-200S-2 42076231200 LOWER,HINO BDG-XZU424M-TKFSE3
PB1412003-00 PIPING,LOWER**



AT-200S-2 42076231200 LOWER,HINO BDG-XZU424M-TKFSE3
 PH5030627-00 HARNESS



CLICK HERE TO **DOWNLOAD** THE COMPLETE MANUAL

- Thank you very much for reading the preview of the manual.
- You can download the complete manual from: www.heydownloads.com by clicking the link below

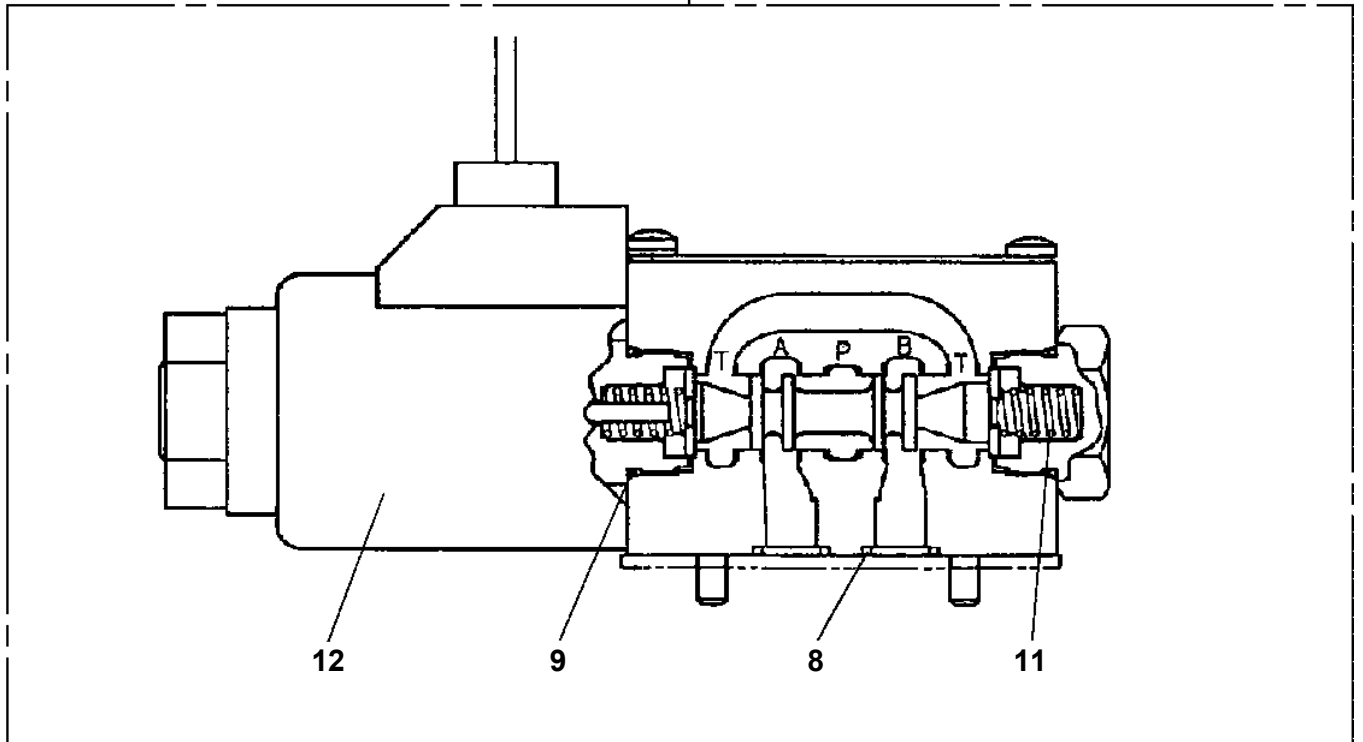


- Please note: If there is no response to CLICKING the link, please download this PDF first and then click on it.

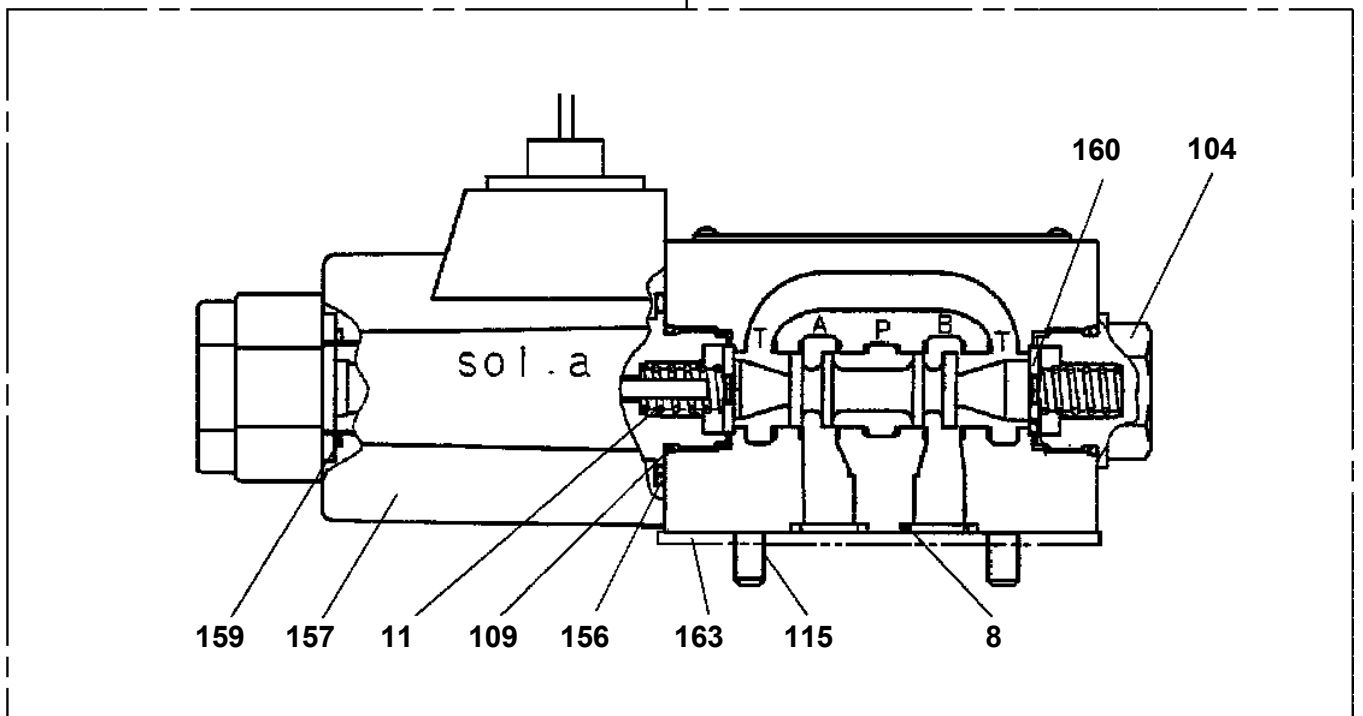
CLICK HERE TO **DOWNLOAD** THE COMPLETE MANUAL

AT-200S-2 42076231200 LOWER, HINO BDG-XZU424M-TKFSE3
PI1120265-01 VALVE, SOLENOID

200

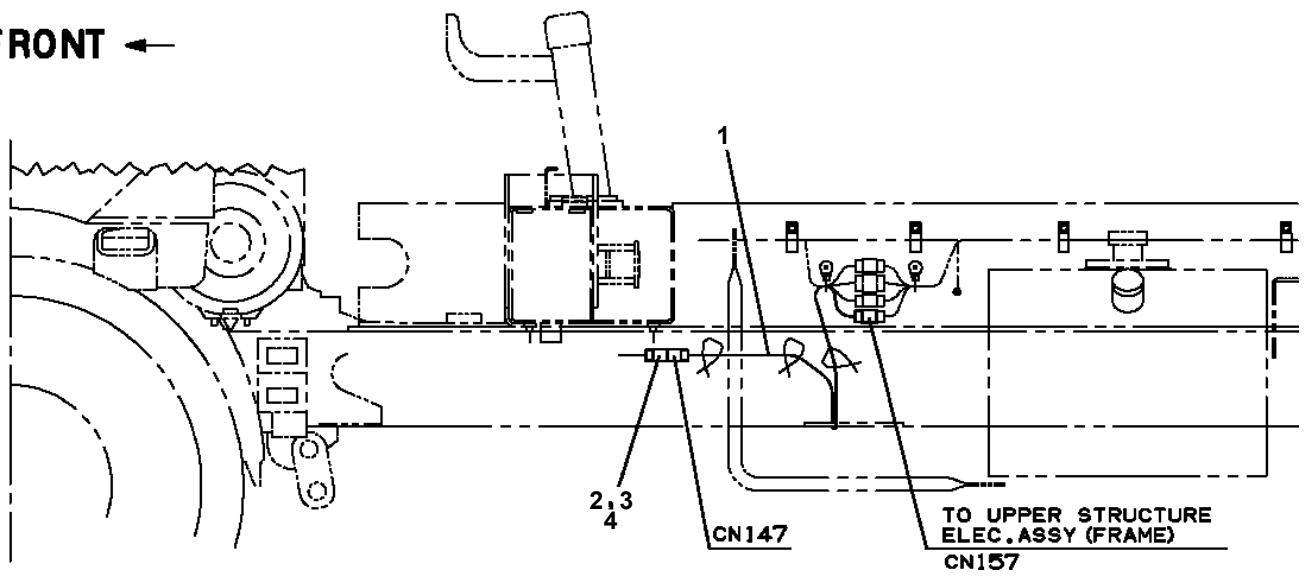


200

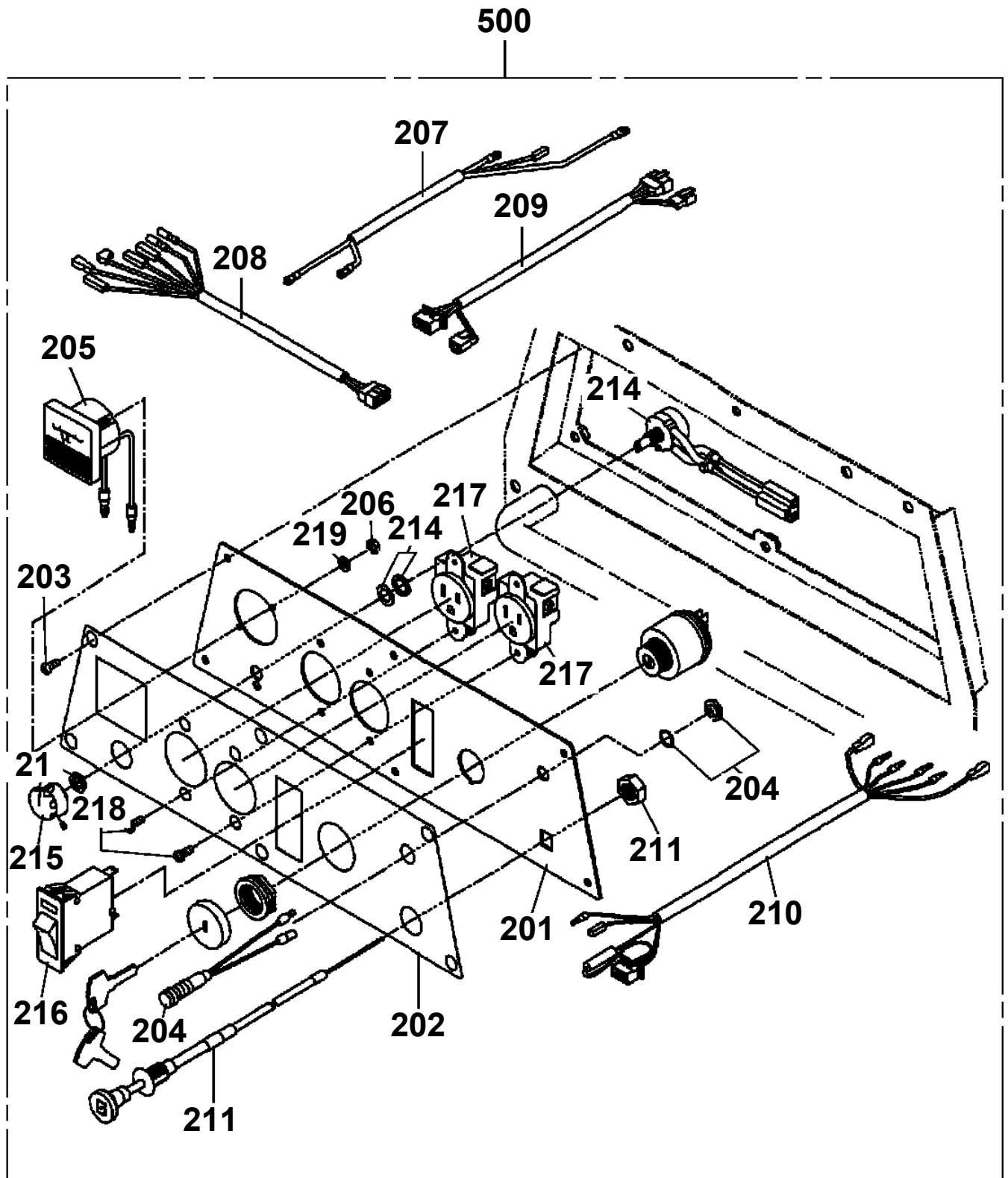


**AT-200S-2 42076231200 LOWER,HINO BDG-XZU424M-TKFSE3
PN1014767-01 ELEC.ASSY (CARRIER)**

FRONT ←



AT-200S-2 42076231200 LOWER,HINO BDG-XZU424M-TKFSE3
PN1430043-00 GENERATOR



AT-200S-2 42076231200 LOWER,HINO BDG-XZU424M-TKFSE3

Pos No.	Parts No	Parts Name	Qty	Unit	Technical Data	Serial No (Start)	Serial No (End)
1	42460012550	WEDGE (STOPPER FOR TIRE/JUSTIN)	1				

AT-200S-2 42076231200 LOWER,HINO BDG-XZU424M-TKFSE3

Pos No.	Parts No	Parts Name	Qty	Unit	Technical Data	Serial No (Start)	Serial No (End)	Remarks	Pages
1	42865120100	SPACER	2						
2	42865120200	SPACER	2						
3	42865120300	SPACER	2						
4	42861560600	U-BOLT	2						
5	90201201600	NUT	8		M16				
6	42862860600	SUPPORT	1						
7	42865120400	SUPPORT	4						
8	42862860700	SUPPORT	1						

AT-200S-2 42076231200 LOWER,HINO BDG-XZU424M-TKFSE3

Pos No.	Parts No	Parts Name	Qty	Unit	Technical Data	Serial No (Start)	Serial No (End)	Remarks	Pages
1	42784420101	SUPPORT	2						
2	90171110025	BOLT	4		M10X25				
3	90201781000	NUT	4		M10				
4	90302041001	WASHER,SPRING	4		10				
5	82459103000	NIPPLE,GREASE	2		C-PT1/8				
6	90101208025	BOLT	2		M8X25				
7	37000553000	PLATE	3						
8	90201200800	NUT	2		M8				
9	90302040801	WASHER,SPRING	2		8				
10	82100001819	TUBE,SPIRAL	1	M	SE-18BK				
11	82100001413	TUBE,SPIRAL	1	M	SE-15BK				

CLICK HERE TO **DOWNLOAD** THE COMPLETE MANUAL

- Thank you very much for reading the preview of the manual.
- You can download the complete manual from: www.heydownloads.com by clicking the link below



- Please note: If there is no response to CLICKING the link, please download this PDF first and then click on it.

CLICK HERE TO **DOWNLOAD** THE COMPLETE MANUAL