

AT-170-1 42087120100 LOWER,MITSUBISHI KK-FE53EC 6KA1

**PB3000080-00 POWER UNIT
PO1000149-00 INDICATION PLATES
PX2000476-00 CARRIER UNIT
PX3000296-00 MOUNTING UNIT
ASSEMBLY**

CLICK HERE TO **DOWNLOAD** THE COMPLETE MANUAL

- Thank you very much for reading the preview of the manual.
- You can download the complete manual from: www.heydownloads.com by clicking the link below

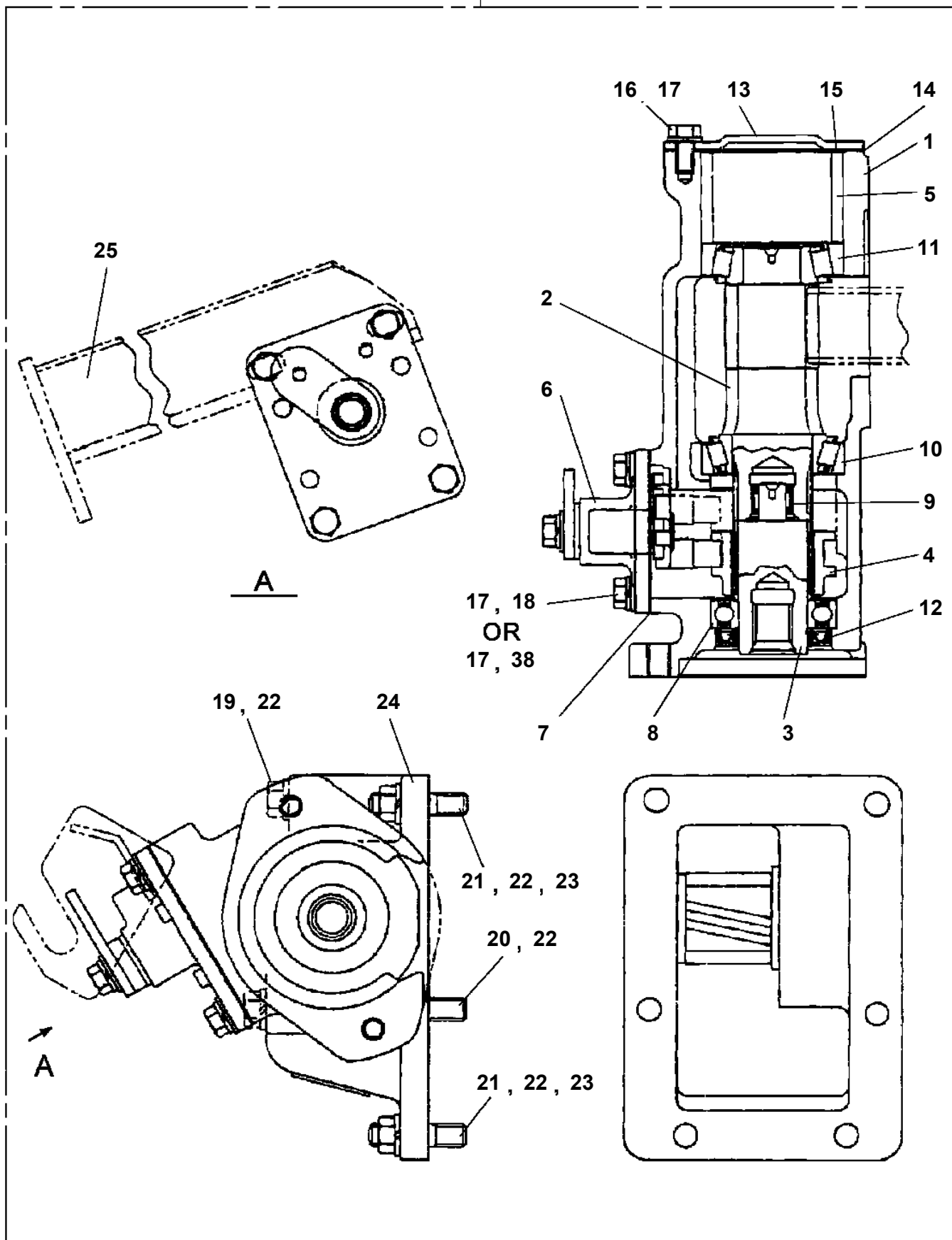


- Please note: If there is no response to CLICKING the link, please download this PDF first and then click on it.

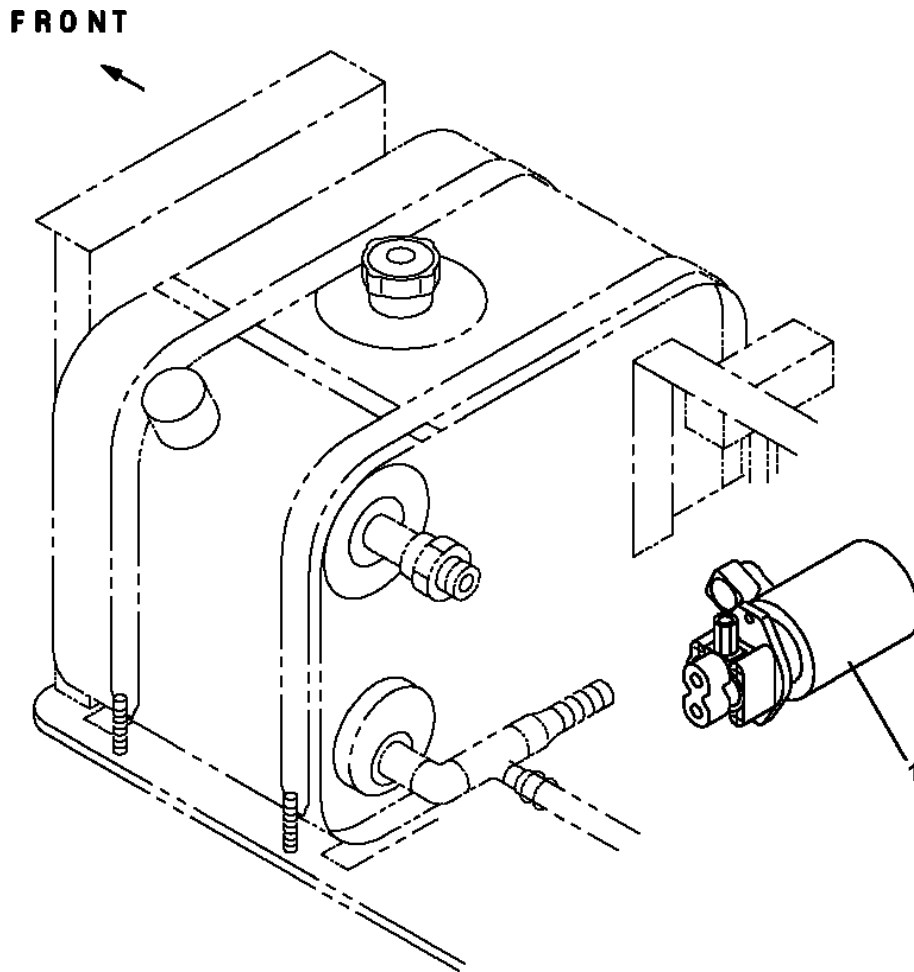
CLICK HERE TO **DOWNLOAD** THE COMPLETE MANUAL

AT-170-1 42087120100 LOWER, MITSUBISHI KK-FE53EC 6KA1
PB1030164-02 POWER TAKE OFF

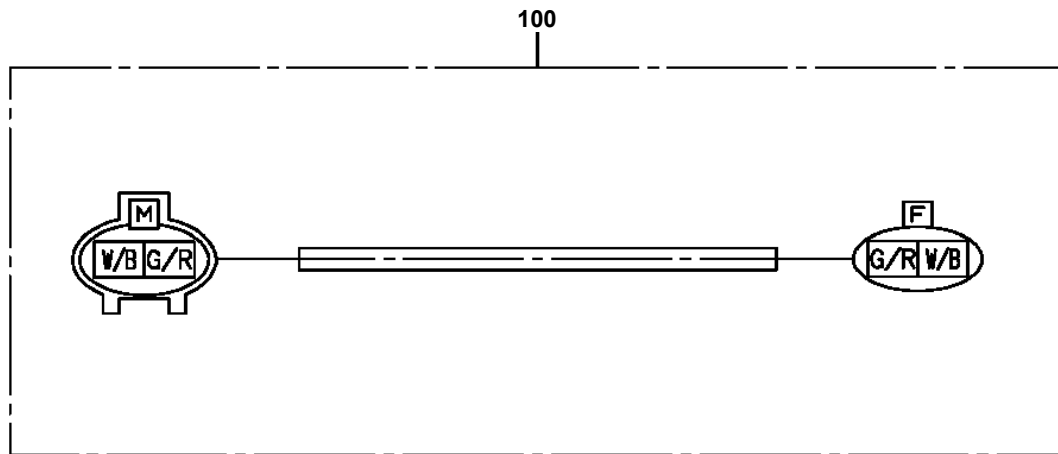
50



**AT-170-1 42087120100 LOWER, MITSUBISHI KK-FE53EC 6KA1
PB1110014-00 MOUNT, PUMP (EMERGENCY)**



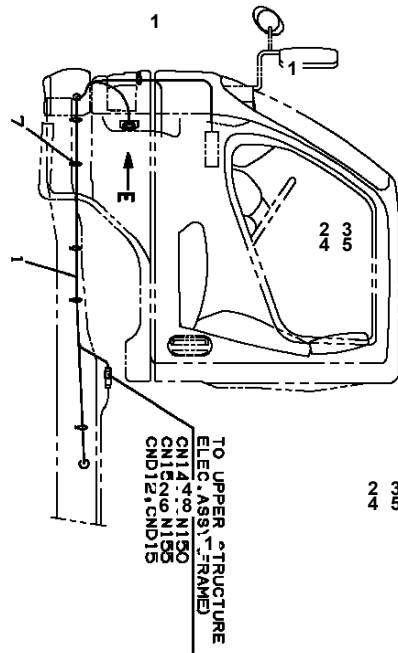
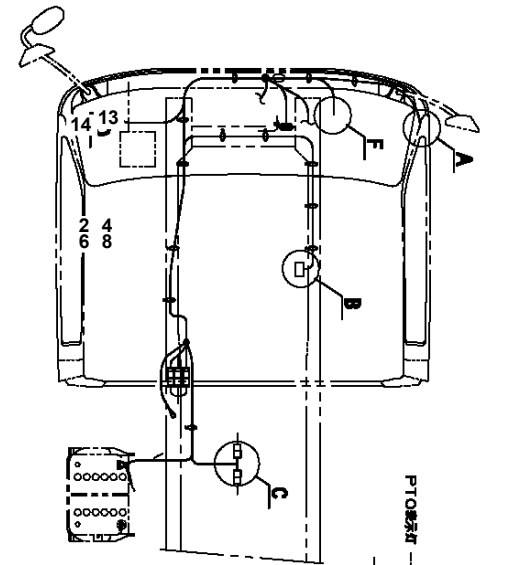
AT-170-1 42087120100 LOWER, MITSUBISHI KK-FE53EC 6KA1
PH5034401-00 HARNESS



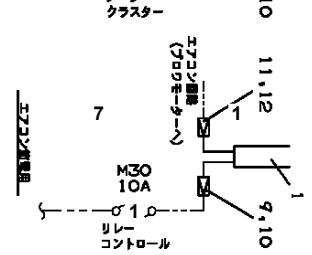
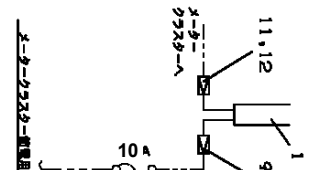
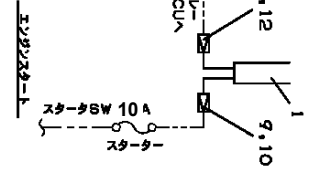
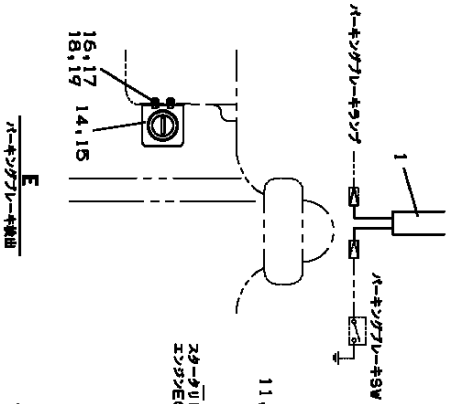
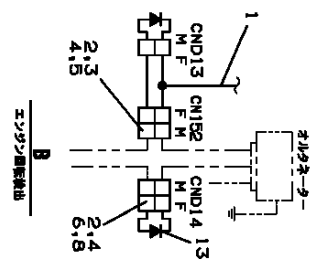
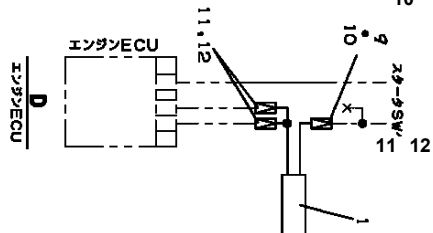
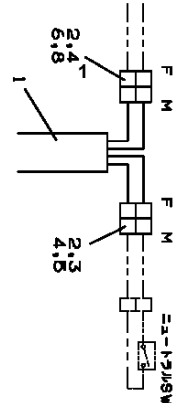
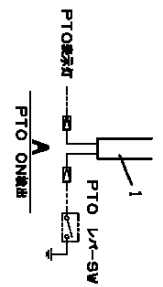
AT-170-1 42087120100 LOWER,MITSUBISHI KK-FE53EC 6KA1

Pos No.	Parts No	Parts Name	Qty	Unit	Technical Data	Serial No (Start)	Serial No (End)	Remarks
1	42714050100	SUPPORT	1					
2	37001708290	CABLE,CONTROL	1		L=1550 TO 1600			
3	82100001801	TUBE,CORRUGATE	2	M	7			
4	90101208025	BOLT	2		M8X25			
5	90302040801	WASHER,SPRING	4		8			
6	90201200800	NUT	1		M8			
7	90101208014	BOLT	2		M8X14			
8	42714050200	SUPPORT	1					
9	82100002007	CLAMP	1		WRC10			
10	37000105720	PIN	2					
11	90303070601	WASHER,PLAIN	3		6			
12	90101206030	BOLT	2		M6X30			
14	80136320012	PIN,SPLIT	2		2X12			
15	90303070801	WASHER,PLAIN	1		8			
16	90302040601	WASHER,SPRING	2		6			
17	88200200060	END	1					
18	91810130240	FASTENER	5					
19	82100002596	RELAY	2					
20	42350250090	PLUG (4 POLES,MALE)	1					
21	90201200600	NUT	2		M6			
41	42711941000	SOLENOID ASSY	1					
42	42800040030	HARNESS	2					
43	42712331010	HARNESS	1					
44	82100002006	CLAMP	1		WR10			
45	90101206010	BOLT	1		M6X1.0			
46	90302040601	WASHER,SPRING	2		6			
47	42712341010	HARNESS	1					
61	42713932100	COVER	1					
62	90101206030	BOLT	1		M6X30			
63	90201200600	NUT	1		M6			
65	90303070601	WASHER,PLAIN	1		6			
66	90303070801	WASHER,PLAIN	1		8			
67	91810130240	FASTENER	5					

AT-170-1 42087120100 LOWER, MITSUBISHI KK-FE53EC 6KA1
 PN1012535-01 ELEC.ASSY (CARRIER)



TO UPPER STRUCTURE
 ELEC.ASSY (FRAMED)
 CN14 4*00 N130
 CN15 2*00 N125
 CND12,1 CND15



F

F

F

F

AT-170-1 42087120100 LOWER,MITSUBISHI KK-FE53EC 6KA1

Pos No.	Parts No	Parts Name	Qty	Unit	Technical Data	Serial No (Start)	Serial No (End)	Remarks	Pages
1	42695400500	FENDER	1				230573		
	42695400501	FENDER	1			230574			
2	42695400600	FENDER	1						
3	42695260300	FENDER	1						
4	42695260400	FENDER	1						
5	42695400300	FENDER	1				230244		
	42695400700	FENDER	1			230245			
6	42695400400	FENDER	1				230244		
	42695400800	FENDER	1			230245			
7	42695360700	SUPPORT	1						
8	90280200800	NUT,FLANGE	28		M8		230244		
	90280200800	NUT,FLANGE	24		M8	230245			
9	37000547660	PLATE	34		T=2.3		230244		
	37000547660	PLATE	26		T=2.3	230245			
10	90186208020	BOLT,FLANGE	6		M8X20		230244		
	90186208020	BOLT,FLANGE	2		M8X20	230245			
11	90101210020	BOLT	1		M10X20				
12	90302041001	WASHER,SPRING	1		10				
13	37000549940	PLATE	2		T=3.2		230244		
	37000549940	PLATE	28		T=3.2	230245			
14	90186210020	BOLT,FLANGE	4		M10X20	230245			
15	32200353500	SHIM	8		T=1.2	230245			

AT-170-1 42087120100 LOWER,MITSUBISHI KK-FE53EC 6KA1

Pos No.	Parts No	Parts Name	Qty	Unit	Technical Data	Serial No (Start)	Serial No (End)	Remarks	Pages
1	42811261001	STEP	1						
2	90101212020	BOLT	4		M12X20				
3	90302041201	WASHER,SPRING	4		12				
4	90186210030	BOLT,FLANGE	8		M10X30				
5	90303071001	WASHER,PLAIN	4		10				
6	90280201000	NUT,FLANGE	8		M10				
7	42811290100	SUPPORT	2						

AT-170-1 42087120100 LOWER,MITSUBISHI KK-FE53EC 6KA1

Pos No.	Parts No	Parts Name	Qty	Unit	Technical Data	Serial No (Start)	Serial No (End)	Remarks	Pages
1	82400000510	REFLECTOR	2						

CLICK HERE TO **DOWNLOAD** THE COMPLETE MANUAL

- Thank you very much for reading the preview of the manual.
- You can download the complete manual from: www.heydownloads.com by clicking the link below



- Please note: If there is no response to CLICKING the link, please download this PDF first and then click on it.

CLICK HERE TO **DOWNLOAD** THE COMPLETE MANUAL