

AT-170-1 42087110400 LOWER,NISSAN SKG-AKR85YN-FN5AHY

PB3000080-00 POWER UNIT
PO1000149-00 INDICATION PLATES
PX2001506-00 CARRIER UNIT
PX3000819-00 MOUNTING UNIT
PY1001335-02 OPTIONS,1
ASSEMBLY

CLICK HERE TO **DOWNLOAD** THE COMPLETE MANUAL

- Thank you very much for reading the preview of the manual.
- You can download the complete manual from: www.heydownloads.com by clicking the link below



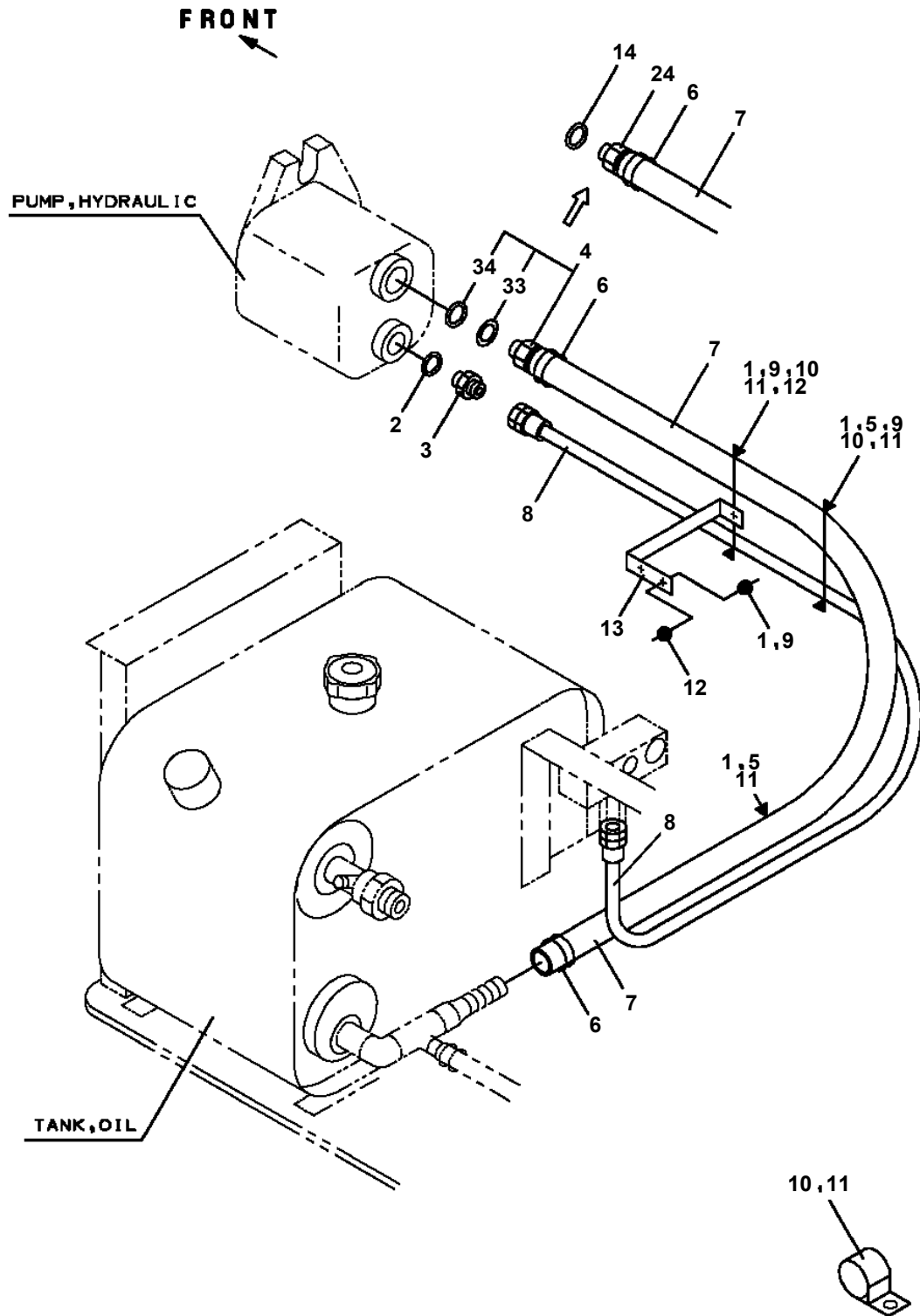
- Please note: If there is no response to CLICKING the link, please download this PDF first and then click on it.

CLICK HERE TO **DOWNLOAD** THE COMPLETE MANUAL

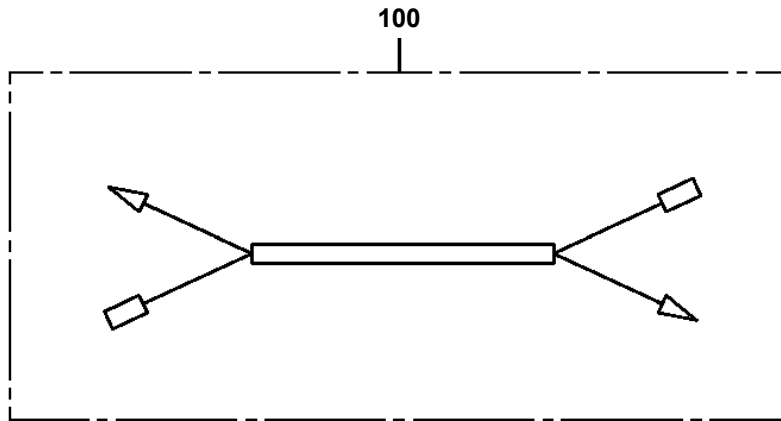
AT-170-1 42087110400 LOWER,NISSAN SKG-AKR85YN-FN5AHY

Pos No.	Parts No	Parts Name	Qty	Unit	Technical Data	Serial No (
1	(***** *****)	GUARD (150KG)	1			
	(***** *****)	GUARD (100KG,770X670X200,WITH HOOK)	1			
2	(***** *****)	ALARM SYSTEM	1			
3	(***** *****)	ELEC.ASSY	1			
5	(***** *****)	MOUNT ASSY,TOOL BOX (RIGHT AND LEFT SINGLE-DECKER)	1			

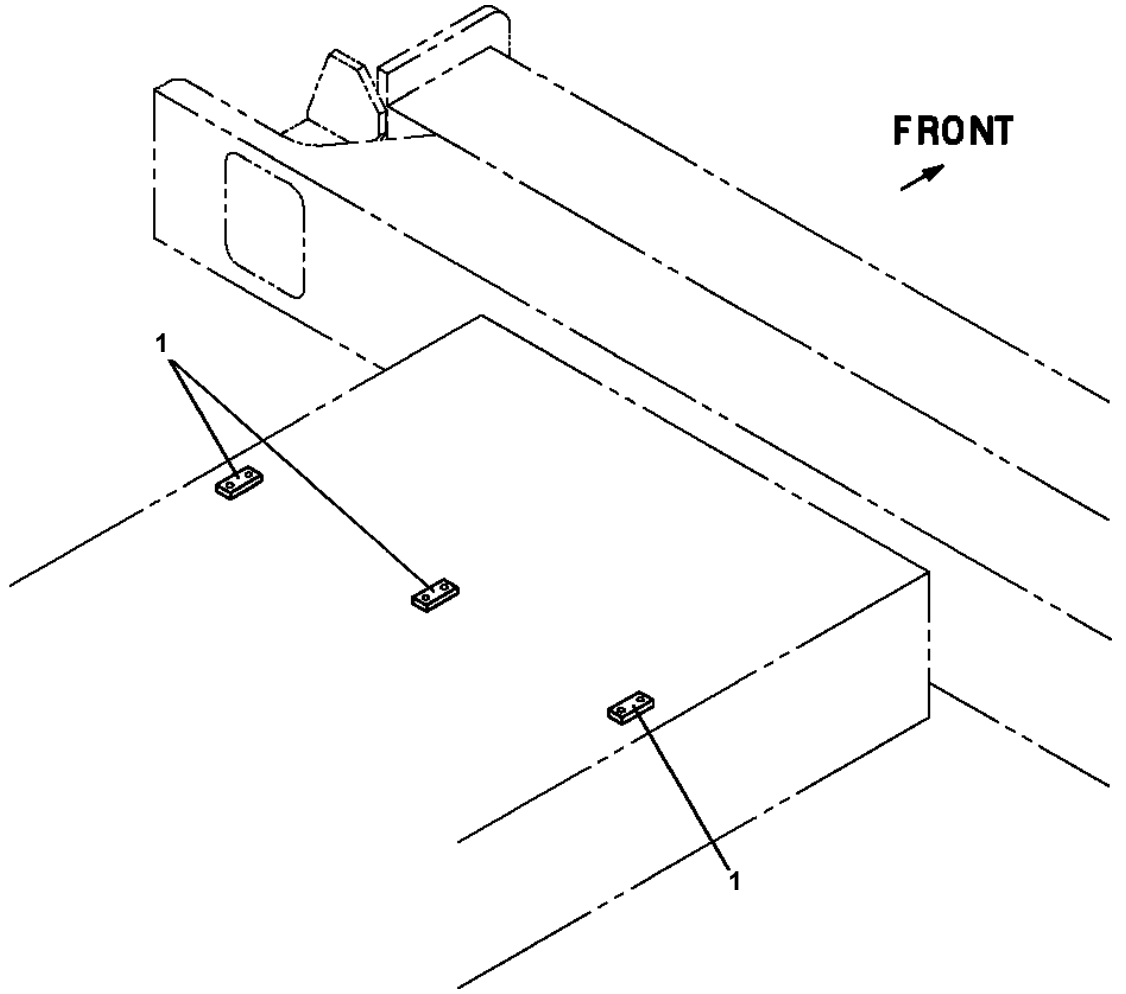
AT-170-1 42087110400 LOWER,NISSAN SKG-AKR85YN-FN5AHY
PB1411114-02 PIPING,LOWER



AT-170-1 42087110400 LOWER,NISSAN SKG-AKR85YN-FN5AHY
PH5030979-00 HARNESS



AT-170-1 42087110400 LOWER,NISSAN SKG-AKR85YN-FN5AHY
PM5150090-00 MODIFICATION ASSY



AT-170-1 42087110400 LOWER,NISSAN SKG-AKR85YN-FN5AHY

Pos No.	Parts No	Parts Name	Qty	Unit	Technical Data	Serial No (Start)	Serial No (End)	Remarks	Pages
1	42935990100	HARNESS	1						000015
2	82420506412	TRIM	1	M					
3	91810130240	FASTENER	5						
4	91850310305	CLAMP	1						

AT-170-1 42087110400 LOWER,NISSAN SKG-AKR85YN-FN5AHY

Pos No.	Parts No	Parts Name	Qty	Unit	Technical Data	Serial No (Start)	Serial No (End)	Remarks
1	42874092000	SUPPORT ASSY	1					
2	42873150400	CUSHION	1					
3	90101208016	BOLT	4		M8X16			
4	90171114035	BOLT	4		M14X35			
5	90302041401	WASHER,SPRING	4		14			
6	90302040801	WASHER,SPRING	4		8			
8	42874090100	PLATE,SLIDE	2					
9	90172108022	BOLT,HEXAGON SOCKET	8		M8X22			
10	90303070801	WASHER,PLAIN	8		8			

AT-170-1 42087110400 LOWER,NISSAN SKG-AKR85YN-FN5AHY

Pos No.	Parts No	Parts Name	Qty	Unit	Technical Data	Serial No (Start)	Serial No (End)	Remarks	Pages
1	42845550100	WEIGHT	1						
2	42843990100	WEIGHT	1						
5	90101212060	BOLT	12		M12X60				
6	90302041201	WASHER,SPRING	12		12				
8	90302041601	WASHER,SPRING	4		16				
10	42843300700	WEIGHT	1						
11	90101216055	BOLT	4		M16X55				

AT-170-1 42087110400 LOWER,NISSAN SKG-AKR85YN-FN5AHY

Pos No.	Parts No	Parts Name	Qty	Unit	Technical Data	Serial No (Start)	Serial No (End)	Remarks	Pages
1	42990090102	FENDER	1						
2	42990090201	FENDER	1						
3	42990080300	FENDER	1				231363		
4	42990510500	FENDER	1			231364			
	42990080400	FENDER	1				231363		
	42990510600	FENDER	1			231364			
5	42990090300	FENDER	1						
6	42990090400	FENDER	1						
7	42990080700	SUPPORT	1						
8	90201200800	NUT	26		M8				
9	37000547660	PLATE	28		T=2.3				
10	90101208020	BOLT	2		M8X20				
11	90101210020	BOLT	5		M10X20				
12	90302041001	WASHER,SPRING	5		10				
13	37000549940	PLATE	28		T=3.2				
14	90302040801	WASHER,SPRING	26		8				
15	32200353500	SHIM	N		T=1.2				

CLICK HERE TO **DOWNLOAD** THE COMPLETE MANUAL

- Thank you very much for reading the preview of the manual.
- You can download the complete manual from: www.heydownloads.com by clicking the link below



- Please note: If there is no response to CLICKING the link, please download this PDF first and then click on it.

CLICK HERE TO **DOWNLOAD** THE COMPLETE MANUAL