

**AT-170-1 42087131800 LOWER,HINO SKG-XZU640F-TKFSC6**

PB3000080-00 POWER UNIT  
PO1000149-00 INDICATION PLATES  
PX2001506-00 CARRIER UNIT  
PX3000819-00 MOUNTING UNIT  
PY1001662-01 OPTIONS,1  
ASSEMBLY

CLICK HERE TO **DOWNLOAD** THE COMPLETE MANUAL

- Thank you very much for reading the preview of the manual.
- You can download the complete manual from: [www.heydownloads.com](http://www.heydownloads.com) by clicking the link below



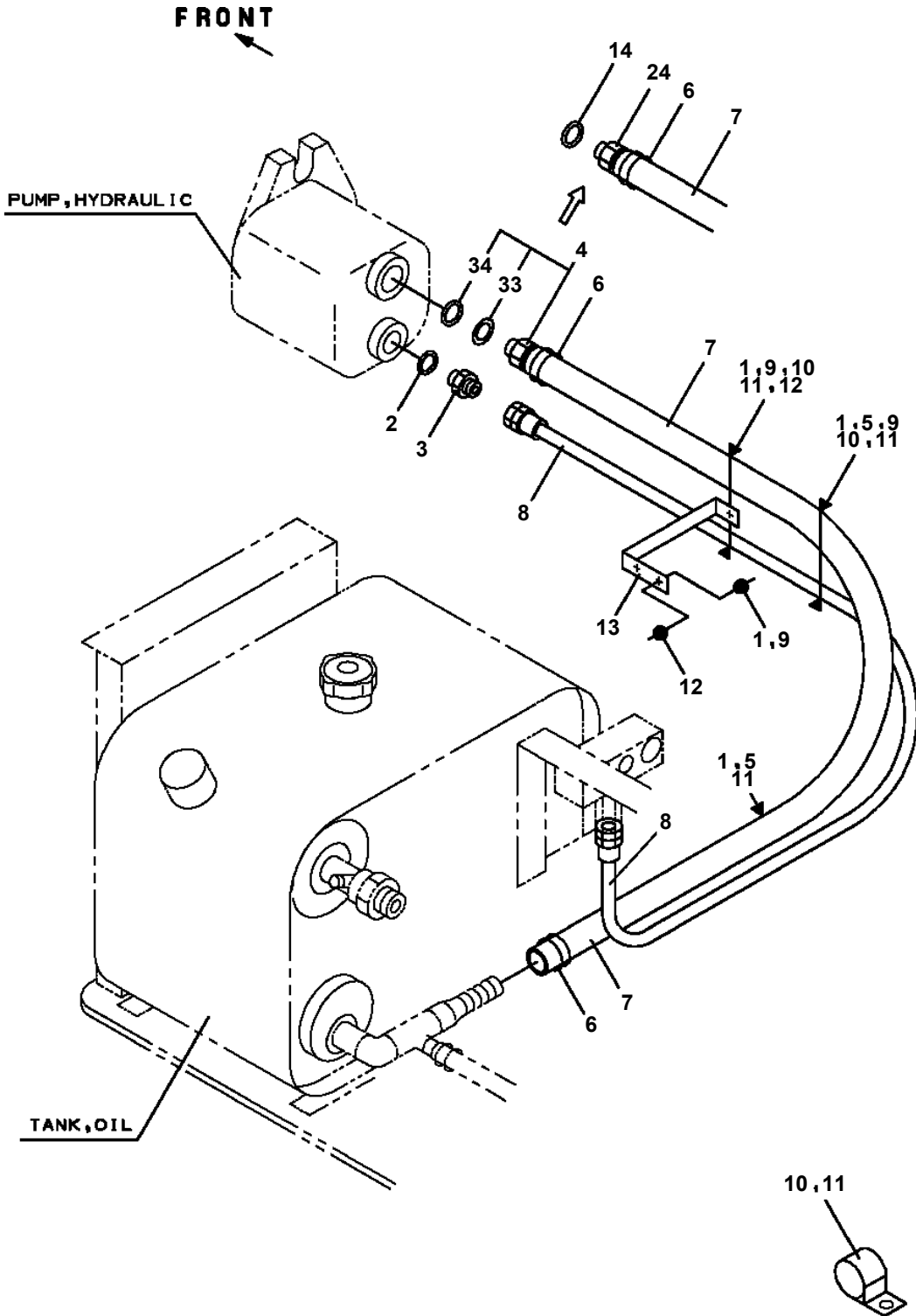
- Please note: If there is no response to CLICKING the link, please download this PDF first and then click on it.

CLICK HERE TO **DOWNLOAD** THE COMPLETE MANUAL

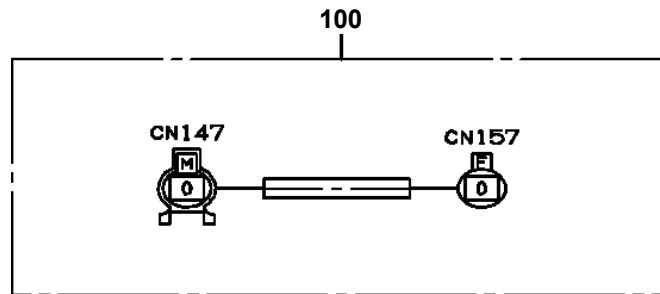
# AT-170-1 42087131800 LOWER,HINO SKG-XZU640F-TKFSC6

Pos No.	Parts No	Parts Name	Qty	Unit	Technical Data	Serial No (Start)	Serial No (End)
1	(*****)	GUARD (150KG)	1				
2	(*****)	GUARD (100KG,770X670X200,WITH HOOK)	1				
3	(*****)	ALARM SYSTEM	1				
4	(*****)	ELEC.ASSY	1				
5	(*****)	ELEC.ASSY (100V POWER SOUECE)	1				230751

AT-170-1 42087131800 LOWER,HINO SKG-XZU640F-TKFSC6  
PB1411114-02 PIPING,LOWER

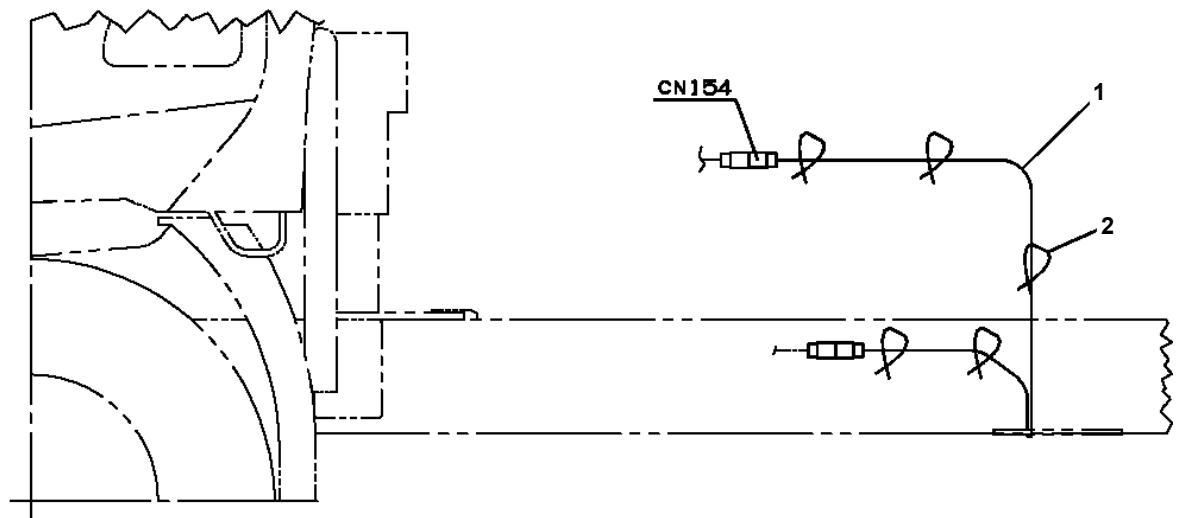
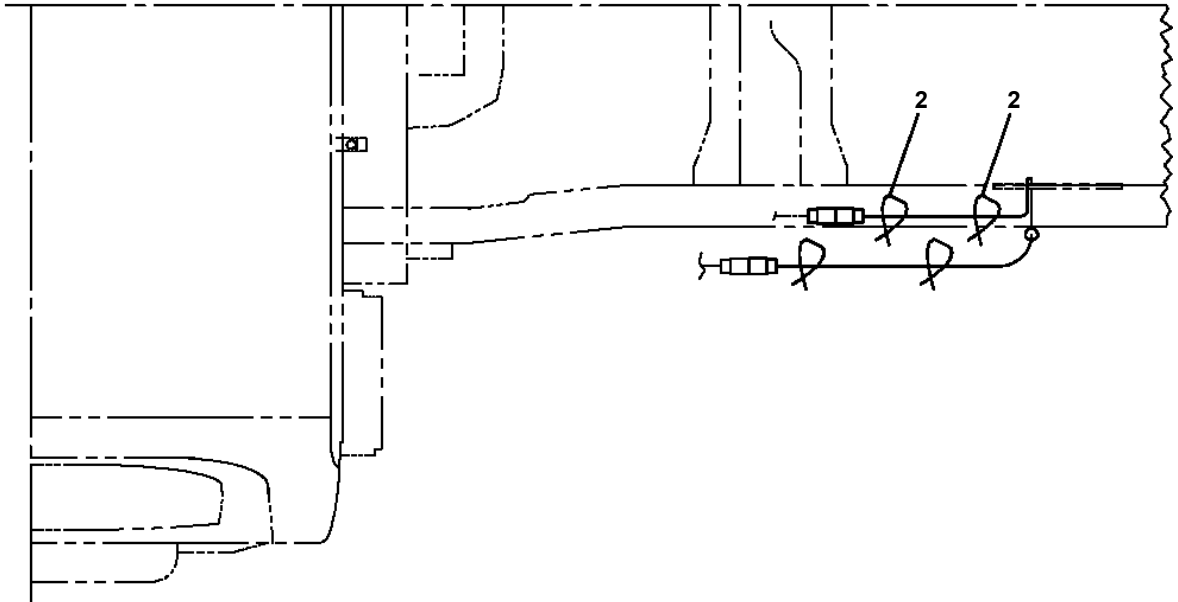


**AT-170-1 42087131800 LOWER,HINO SKG-XZU640F-TKFSC6  
PH5031599-00 HARNESS**



AT-170-1 42087131800 LOWER,HINO SKG-XZU640F-TKFSC6  
PL1031144-00 OPE.ASSY,ACCELERATOR

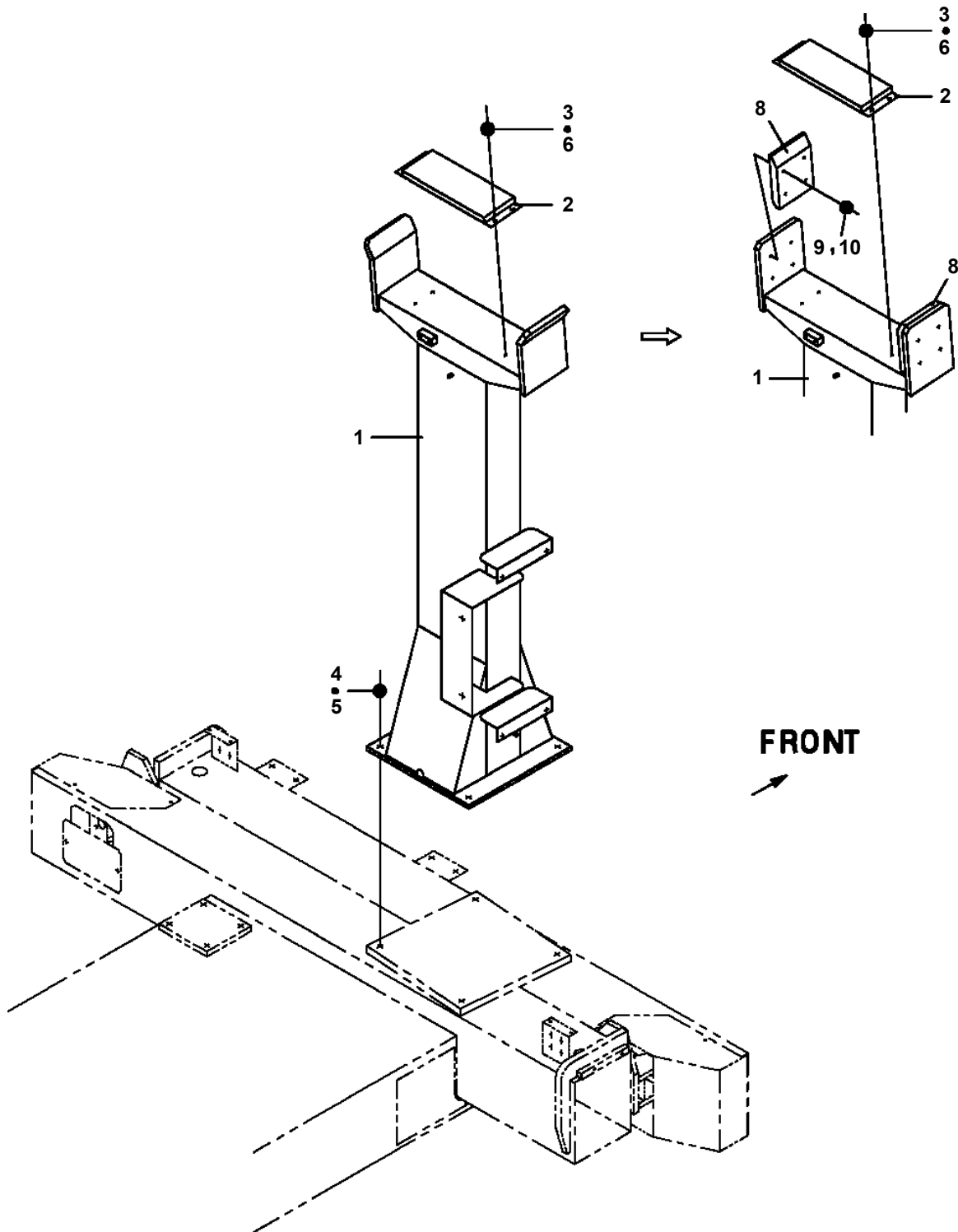
FRONT ←



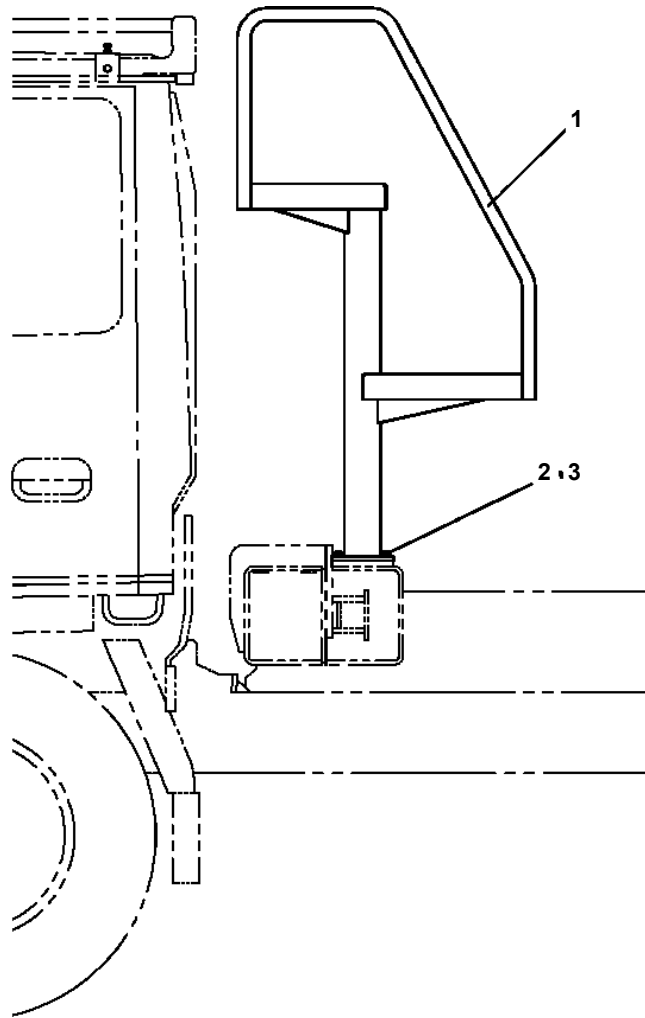
# AT-170-1 42087131800 LOWER,HINO SKG-XZU640F-TKFSC6

Pos No.	Parts No	Parts Name	Qty	Unit	Technical Data	Serial No (Start)	Serial No (End)	Re
1	42971441200	COVER	1					
2	42971441300	SUPPORT	1					
3	42971431100	LAMP ASSY (WITH HARNESS)	1					
4	42652120300	BUZZER ASSY	1					
5	90101206012	BOLT	8		M6X12			
6	90302040601	WASHER,SPRING	8		6			
7	82400000200	GROMMET	1		KG-012,L=250	230882	230881	
	82400000221	GROMMET	1					
8	80172304012	SCREW,MACHINE	2		M4X12			
9	90303070401	WASHER,PLAIN	2		4			
10	90302040401	WASHER,SPRING	2		4			
11	90201200400	NUT	2		M4			
12	82100000920	GROMMET	1				230881	
13	42971441500	HARNESS	1					
14	91810130240	FASTENER	5					
15	42971431300	PLATE,NAME	1					
16	42971431200	PLATE,CAUTION	1					
17	42971431400	SWITCH ASSY (WITH HARNESS)	1					
18	42971431800	PLATE,NAME	1					
19	82199504017	NUT	1		AT-401N			
20	82199514013	CAP	1					
34	82400000201	GROMMET	1		KG-016			
42	82121800010	PLUG (OTUKA)	1			230882		

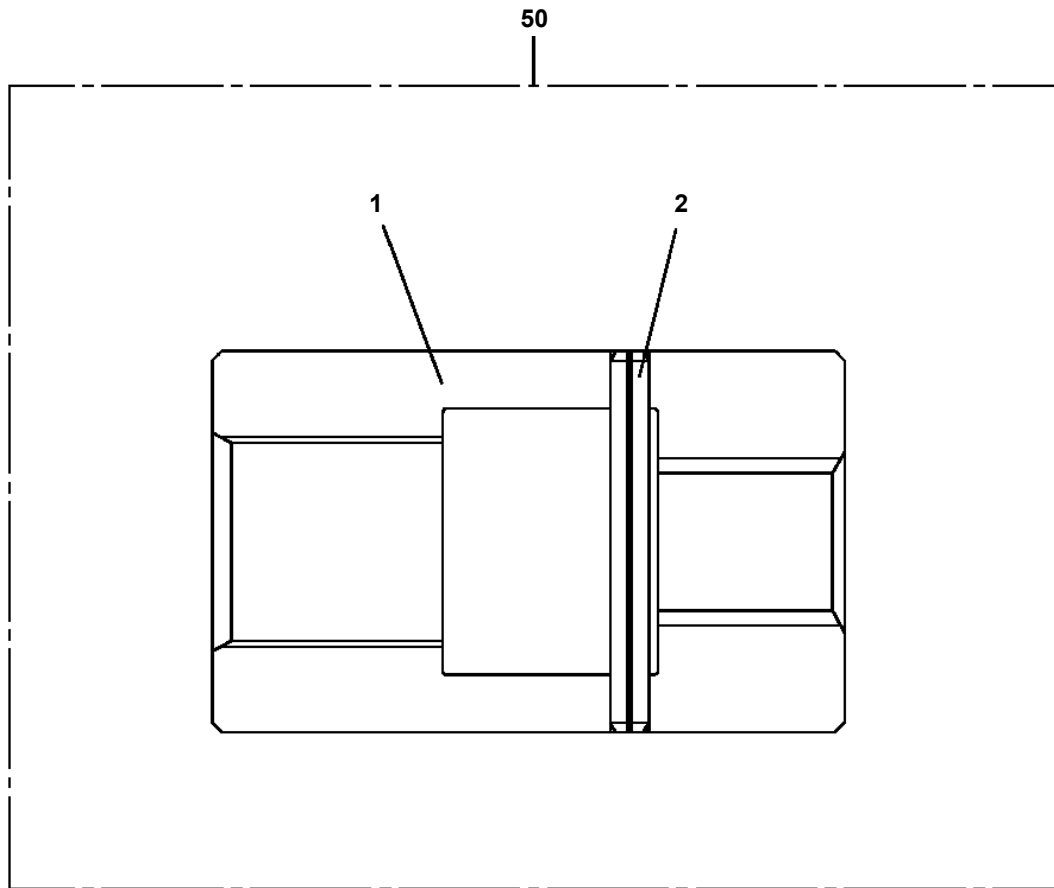
**AT-170-1 42087131800 LOWER,HINO SKG-XZU640F-TKFSC6  
PX1120590-00 BOOM REST**



AT-170-1 42087131800 LOWER,HINO SKG-XZU640F-TKFSC6  
PX1260172-00 STEP



**AT-170-1 42087131800 LOWER,HINO SKG-XZU640F-TKFSC6  
PX1830013-00 COUPLING**



CLICK HERE TO **DOWNLOAD** THE COMPLETE MANUAL

- Thank you very much for reading the preview of the manual.
- You can download the complete manual from: [www.heydownloads.com](http://www.heydownloads.com) by clicking the link below



- Please note: If there is no response to CLICKING the link, please download this PDF first and then click on it.

CLICK HERE TO **DOWNLOAD** THE COMPLETE MANUAL