

AT-157-1 43002120800 LOWER,MITSUBISHI PA-FE73DB 6KA3

PB3000025-00 POWER UNIT

PO1000171-00 INDICATION PLATES

PX2000840-00 CARRIER UNIT

PX3000019-00 MOUNTING UNIT

ASSEMBLY

CLICK HERE TO **DOWNLOAD** THE COMPLETE MANUAL

- Thank you very much for reading the preview of the manual.
- You can download the complete manual from: www.heydownloads.com by clicking the link below

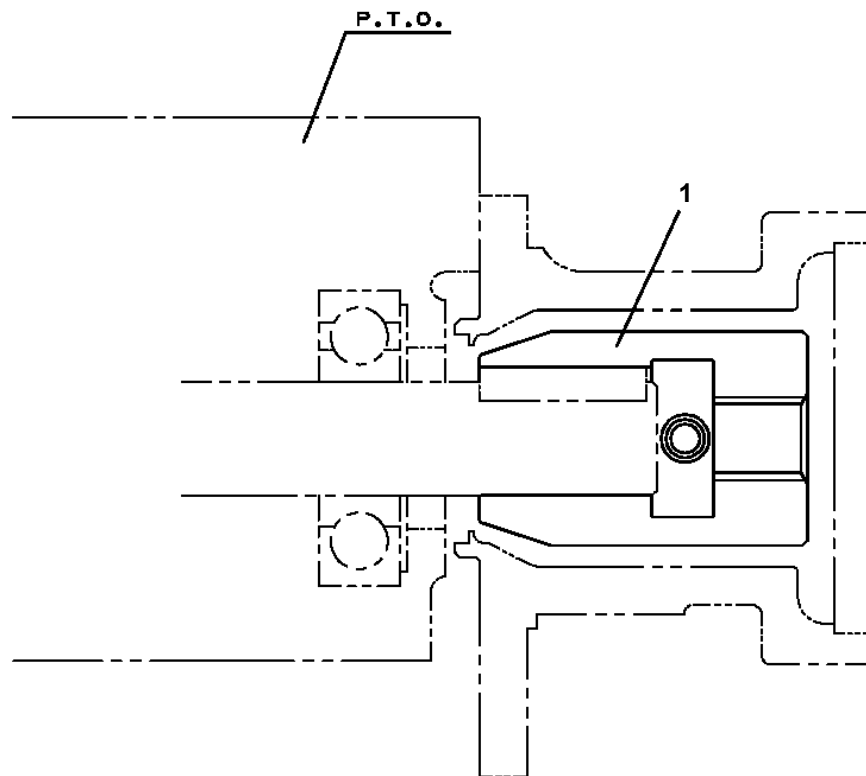


- Please note: If there is no response to CLICKING the link, please download this PDF first and then click on it.

CLICK HERE TO **DOWNLOAD** THE COMPLETE MANUAL

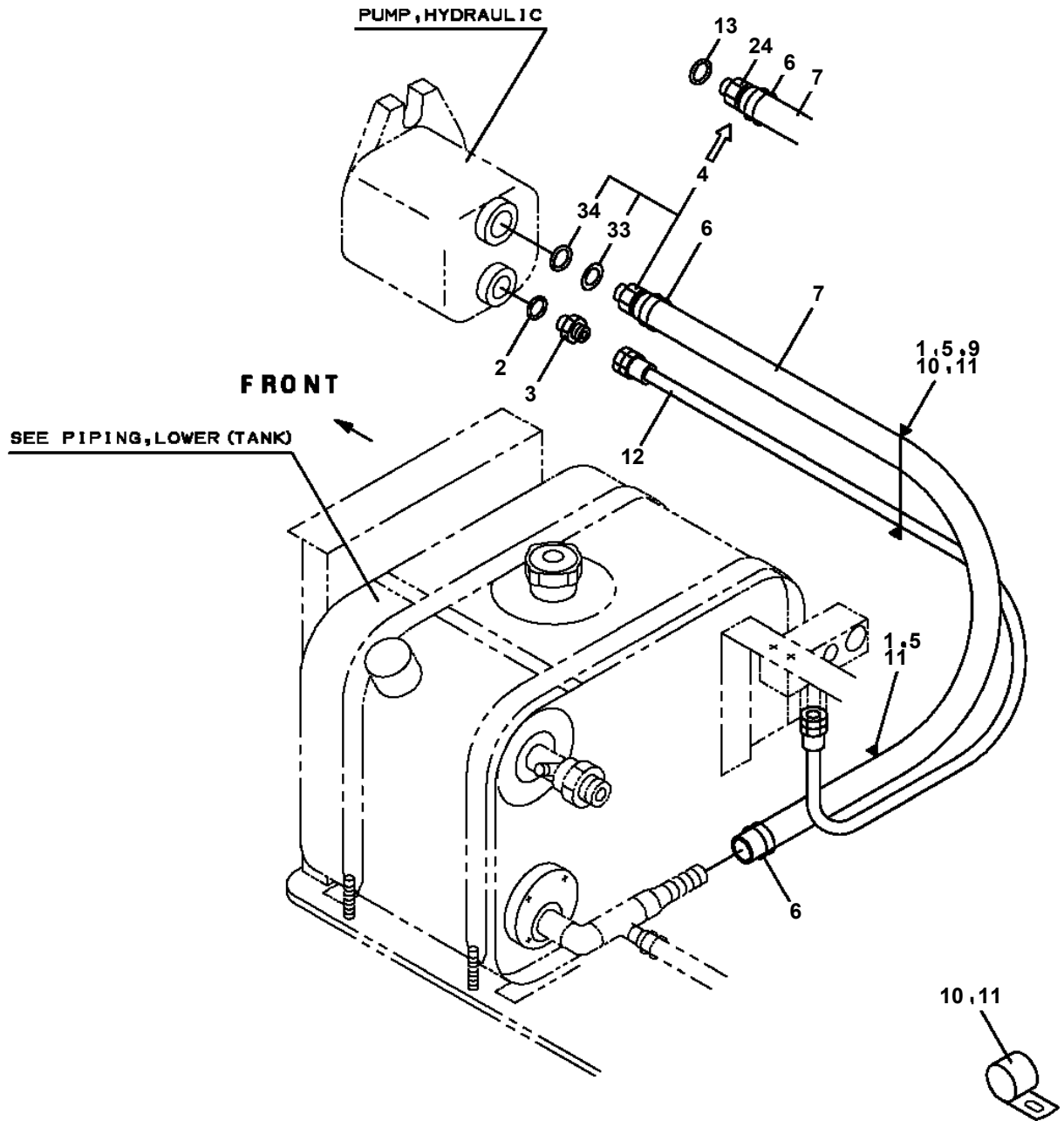
AT-157-1 43002120800 LOWER, MITSUBISHI PA-FE73DB 6KA3
PB1050184-00 OPE.ASSY, P.T.O. (COUPLING)

FRONT ←

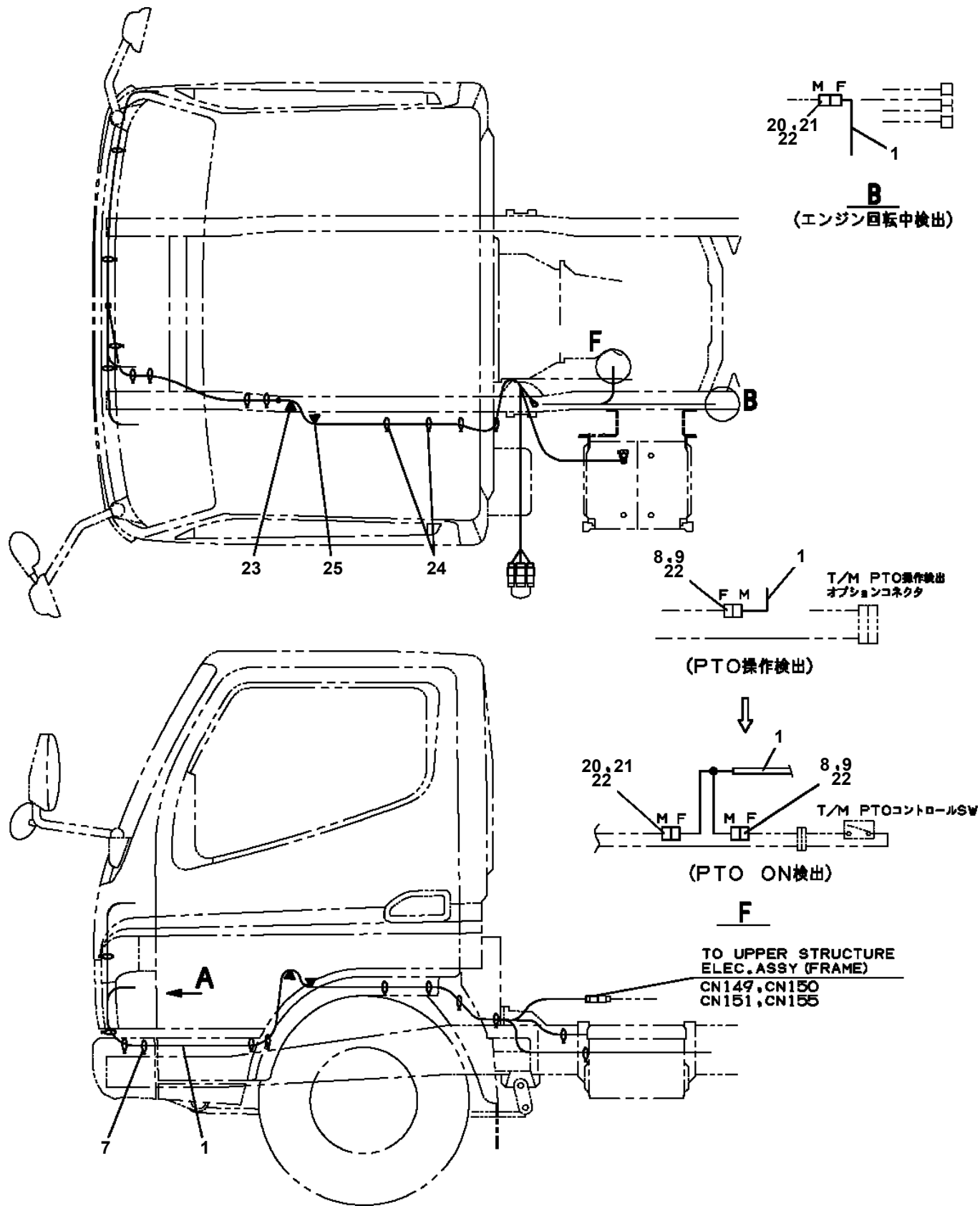


トランスミッション左側面

**AT-157-1 43002120800 LOWER, MITSUBISHI PA-FE73DB 6KA3
PB1411038-03 PIPING, LOWER**



AT-157-1 43002120800 LOWER, MITSUBISHI PA-FE73DB 6KA3
 PN1013847-03 ELEC. ASSY (CARRIER)



AT-157-1 43002120800 LOWER,MITSUBISHI PA-FE73DB 6KA3

Pos No.	Parts No	Parts Name	Qty	Unit	Technical Data	Serial No (Start)	Serial No (End)	Remarks	Pages
1	42695260100	FENDER	1						
2	42695260200	FENDER	1				375754		
	42695260201	FENDER	1			375755			
3	42695260300	FENDER	1						
4	42695260400	FENDER	1						
5	42695260700	FENDER	1						
6	42695260800	FENDER	1						
7	90280200800	NUT,FLANGE	26		M8				
8	37000547660	PLATE	28		T=2.3				
9	90186208020	BOLT,FLANGE	2		M8X20				
10	37000549940	PLATE	26		T=3.2				
11	90186210020	BOLT,FLANGE	4		M10X20				
12	32200353500	SHIM	N		T=1.2				
13	42695360700	SUPPORT	1						

AT-157-1 43002120800 LOWER,MITSUBISHI PA-FE73DB 6KA3

Pos No.	Parts No	Parts Name	Qty	Unit	Technical Data	Serial No (Start)	Serial No (End)	Remark
1	91810130240	FASTENER	10					
2	90186208014	BOLT,FLANGE	8		M8X14			
3	42807270100	SUPPORT	1					
4	42807270200	SUPPORT	1					
5	90186206016	BOLT,FLANGE	6		M6X16			
6	90280200800	NUT,FLANGE	2		M8			
7	42807270300	SUPPORT	1				375655	
	42809190100	SUPPORT	1			375656		
8	42808000200	HARNESS	1					
10	82111101510	TERMINAL	2					
11	82121101050	PLUG (BLACK/AV0.3 TO 0.5)	4					
12	82111101010	TERMINAL	2					
13	82114102020	CONNECTOR	1					
14	82121102020	HOLDER	2					
15	82114101020	CONNECTOR (2P,MALE)	1					

CLICK HERE TO **DOWNLOAD** THE COMPLETE MANUAL

- Thank you very much for reading the preview of the manual.
- You can download the complete manual from: www.heydownloads.com by clicking the link below



- Please note: If there is no response to CLICKING the link, please download this PDF first and then click on it.

CLICK HERE TO **DOWNLOAD** THE COMPLETE MANUAL