

**AT-147-1 42096120700 LOWER,MITSUBISHI KK-73EBY6K2**

PO1000149-00 INDICATION PLATES

PW1000109-01 ACCESSORIES & TOOLS

PX2000268-00 CARRIER UNIT

PX3000194-00 MOUNTING UNIT

PY1000818-00 OPTIONS,1

PY2000096-00 OPTIONS,2

ASSEMBLY

CLICK HERE TO **DOWNLOAD** THE COMPLETE MANUAL

- Thank you very much for reading the preview of the manual.
- You can download the complete manual from: [www.heydownloads.com](http://www.heydownloads.com) by clicking the link below



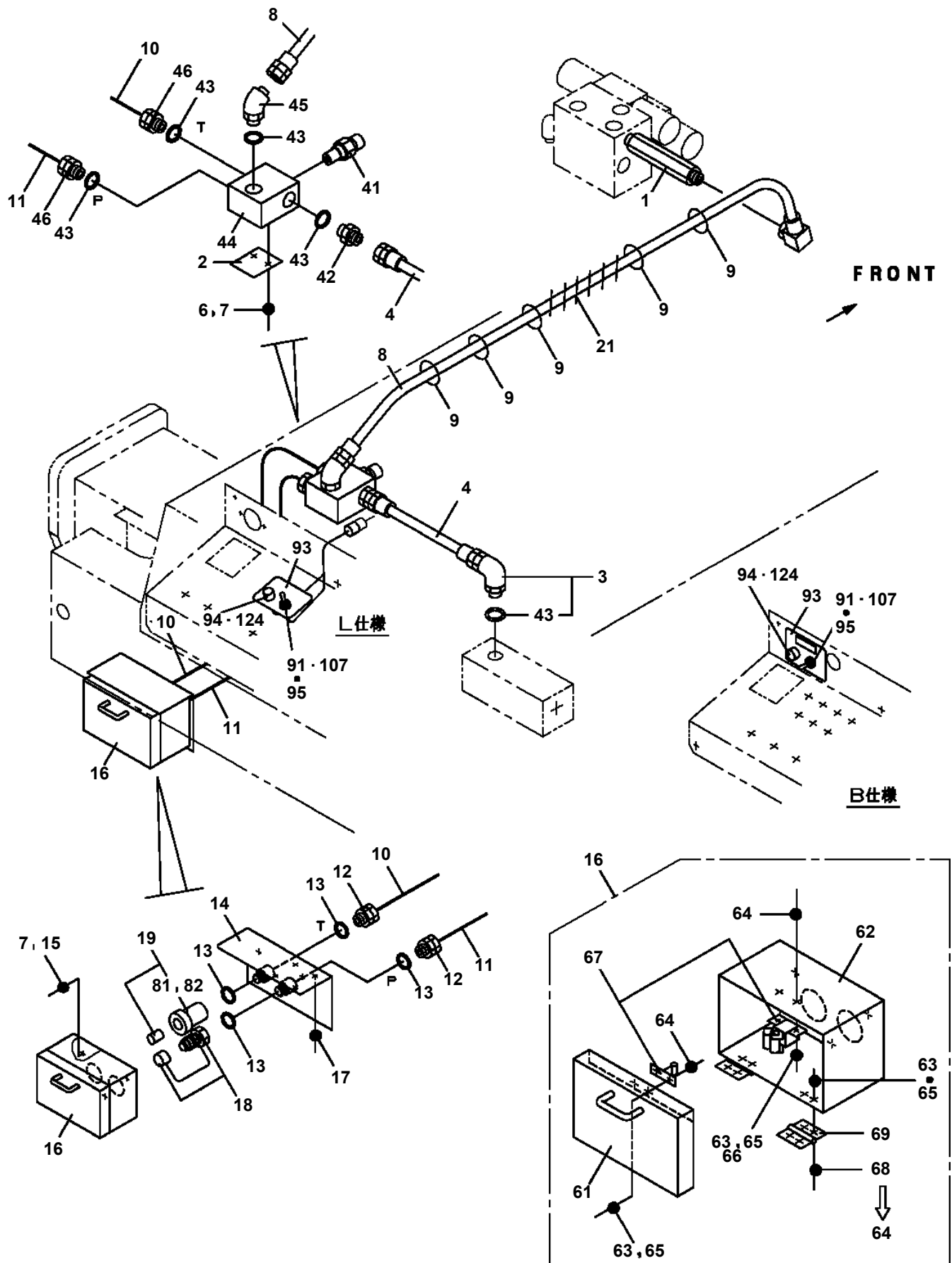
- Please note: If there is no response to CLICKING the link, please download this PDF first and then click on it.

CLICK HERE TO **DOWNLOAD** THE COMPLETE MANUAL

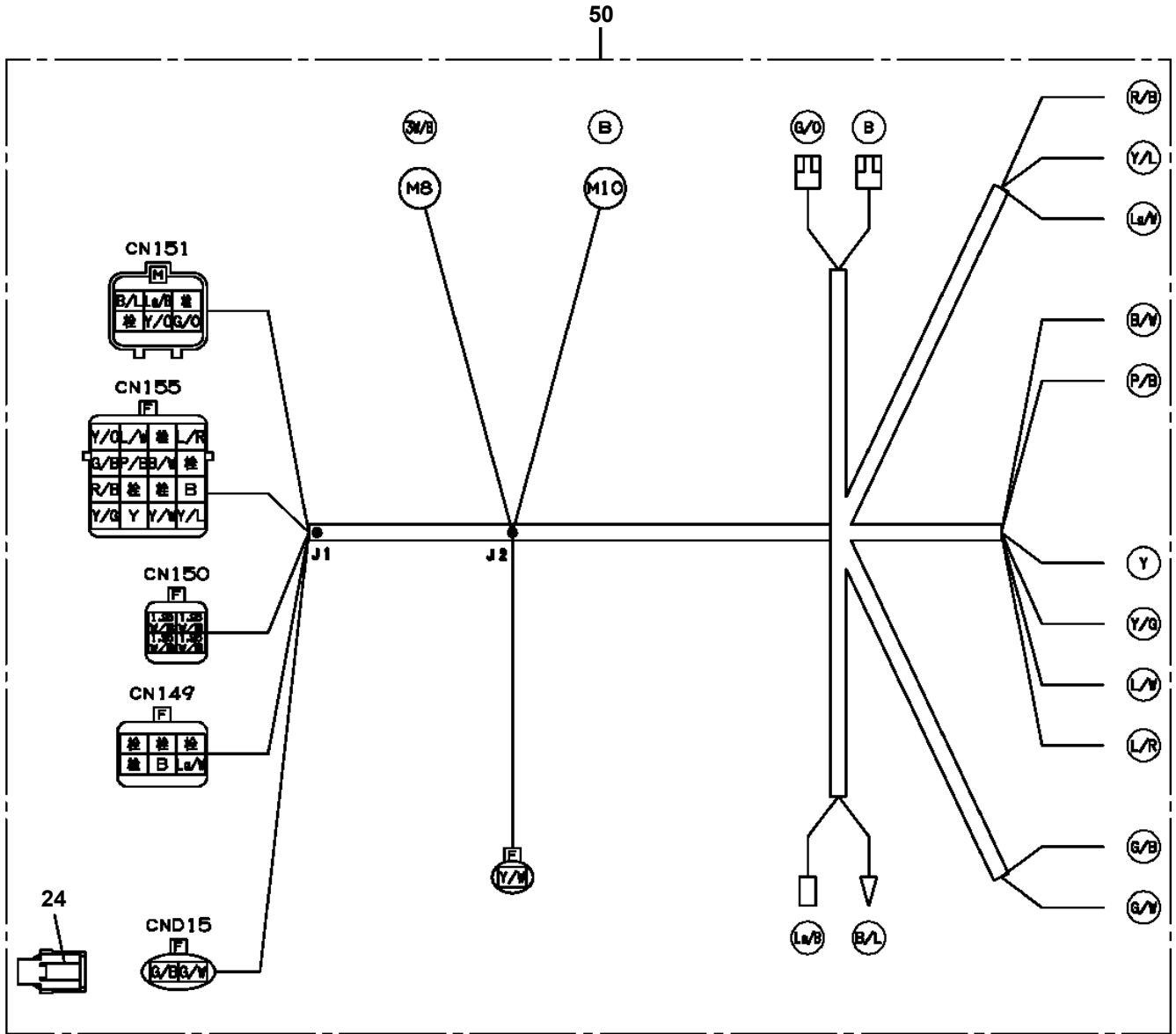
# AT-147-1 42096120700 LOWER,MITSUBISHI KK-73EBY6K2

Pos No.	Parts No	Parts Name	Qty	Unit	Technical Data	Serial No (Start)	Serial No (End)
1	(*****)	POWER SUPPLY (LOWER HYDRAULIC OUTLET)	1				

**AT-147-1 42096120700 LOWER, MITSUBISHI KK-73E BY6K2  
PB1380160-02 POWER SUPPLY (LOWER HYDRAULIC OUTLET)**

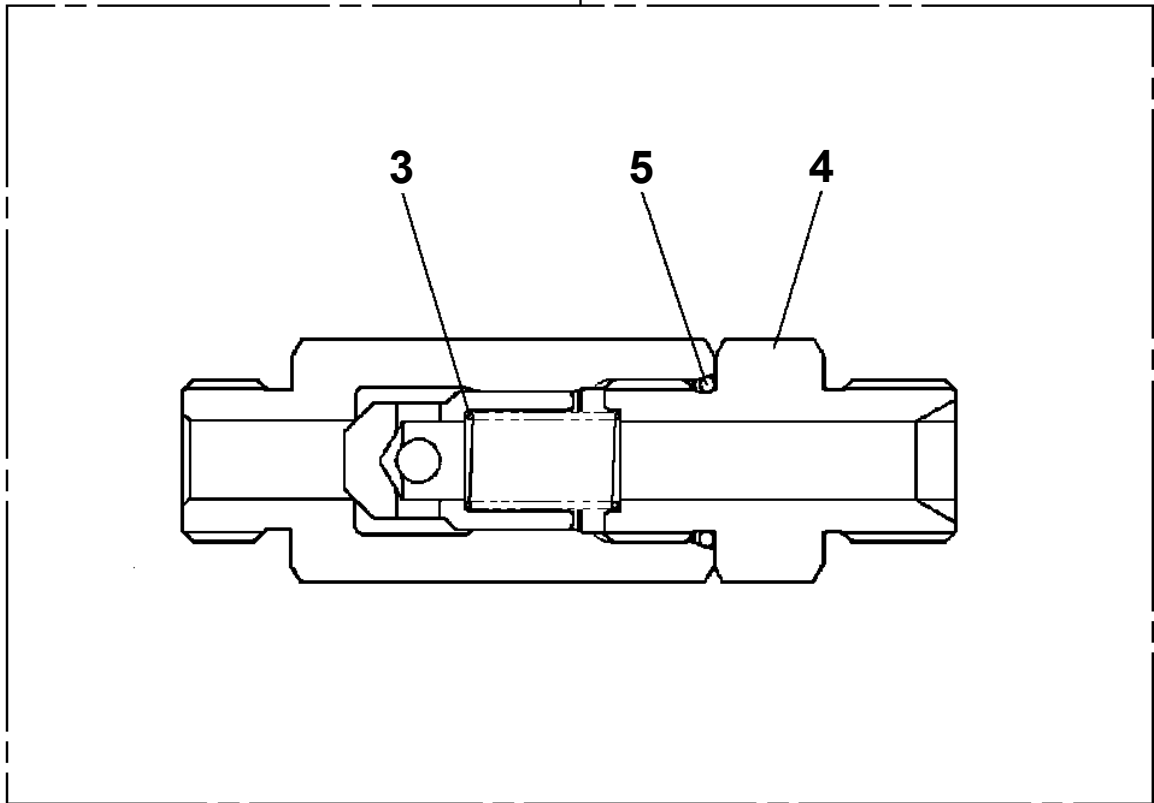


AT-147-1 42096120700 LOWER, MITSUBISHI KK-73EBY6K2  
 PH5030690-00 HARNESS



**AT-147-1 42096120700 LOWER,MITSUBISHI KK-73EBY6K2  
PI1140188-00 VALVE,CHECK**

**50**



# AT-147-1 42096120700 LOWER,MITSUBISHI KK-73EBY6K2

Pos No.	Parts No	Parts Name	Qty	Unit	Technical Data	Serial No (Start)	Serial No (End)
1	42933470100	HARNESS	1				590218
	42933470400	HARNESS	1			590219	
2	82121102020	HOLDER	2				
3	82115001002	CONNECTOR	14			590219	590234
	82115001002	CONNECTOR	13			590235	
4	82121101085	PLUG (AVS0.85)	6				
6	82114102020	CONNECTOR	2				
7	91810132530	FASTENER	20				
8	82111101510	TERMINAL	5				
9	82100000191	TERMINAL	7				590218
10	82100000183	INSULATOR	7				590218
11	82100000192	TERMINAL	7				590218
12	82100000182	INSULATOR	7				590218
13	82182809623	DIODE	2				
14	82154201010	METER,HOUR	1				
15	80172303012	SCREW,MACHINE	2		M3X12		
16	90302040301	WASHER,SPRING	2		3		
17	90303070301	WASHER,PLAIN	2		3		
18	90201200300	NUT	2		M3		
19	42933550400	HARNESS	1			590219	
20	82114101010	CONNECTOR	2				
21	82111101010	TERMINAL	2				
22	82121101050	PLUG (BLACK/AV0.3 TO 0.5)	1				
23	42801710200	LAMP ASSY (RED)	1				
24	42930890210	PLATE,NAME	1				
25	42933650100	HARNESS	1				590218
26	82114102010	CONNECTOR (1P FEMALE,HOUSING)	1				
45	82100002486	LAMP,PILOT	1				

CLICK HERE TO **DOWNLOAD** THE COMPLETE MANUAL

- Thank you very much for reading the preview of the manual.
- You can download the complete manual from: [www.heydownloads.com](http://www.heydownloads.com) by clicking the link below



- Please note: If there is no response to CLICKING the link, please download this PDF first and then click on it.

CLICK HERE TO **DOWNLOAD** THE COMPLETE MANUAL

# AT-147-1 42096120700 LOWER,MITSUBISHI KK-73EBY6K2

Pos No.	Parts No	Parts Name	Qty	Unit	Technical Data	Serial No (Start)	Serial No (End)	Remarks	Pages
1	42944131010	PLATE,NAME	1						

# AT-147-1 42096120700 LOWER,MITSUBISHI KK-73EBY6K2

Pos No.	Parts No	Parts Name	Qty	Unit	Technical Data	Serial No (Start)	Serial No (End)	Remarks
1	91991601013	ACCESSORIES (WRENCH)	1					

# AT-147-1 42096120700 LOWER,MITSUBISHI KK-73EBY6K2

Pos No.	Parts No	Parts Name	Qty	Unit	Technical Data	Serial No (Start)	Serial No (End)	Remarks	Pages
1	42874281000	SUPPORT ASSY	1						
2	42872001100	CUSHION	1						
3	80182308030	SCREW,MACHINE	4		M8X30				
4	90171114035	BOLT	4		M14X35				
5	90302041401	WASHER,SPRING	4		14				
6	90302040801	WASHER,SPRING	4		8				
8	42873830200	PLATE	2						

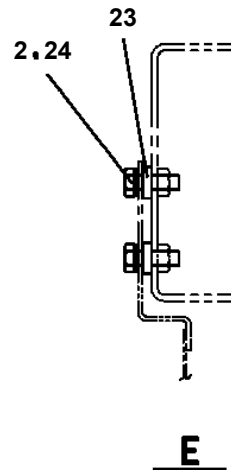
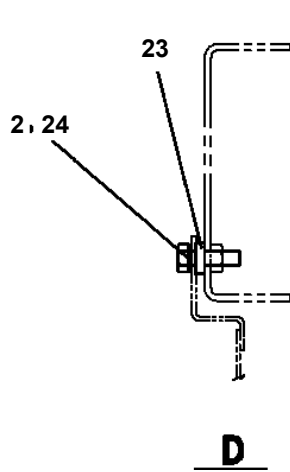
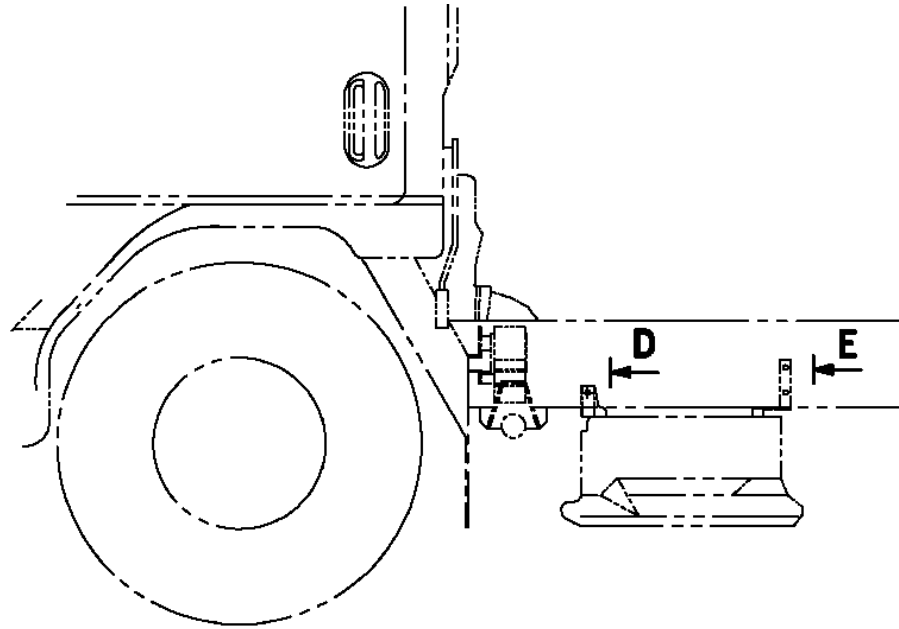
# AT-147-1 42096120700 LOWER, MITSUBISHI KK-73EBY6K2

Pos No.	Parts No	Parts Name	Qty	Unit	Technical Data	Serial No (Start)	Serial No (End)	Remarks	Pages
1	42895490100	COVER	1						
2	90186208014	BOLT, FLANGE	7		M8X14				
3	37000547660	PLATE	2		T=2.3				
4	42894720200	PLATE	1						
5	42894720300	PLATE	1						

## AT-147-1 42096120700 LOWER,MITSUBISHI KK-73EBY6K2

Pos No.	Parts No	Parts Name	Qty	Unit	Technical Data	Serial No (Start)	Serial No (End)	Remarks	P
1	42834437510	BODY,BOX	1						
2	42834437520	WINDOW	1						
3	42834437530	SEAT	1		T=1.3				
4	42834437540	WEATHER STRIP	1		L=1200				
5	42834437550	WEATHER STRIP	1		L=760				
6	42832917570	HINGE SET (RIGHT)	1						
7	42832917580	HINGE SET (LEFT)	1						
8	42833157580	PIN	2						
9	42831877540	INSULATOR	1						
10	42833607540	CATCH (WITH KEY)	1						
11	42833607550	CATCH (WITHOUT KEY)	1						
12	42833157590	STRIKER	2						
13	80192835010	SCREW,MACHINE	6		M5X10				
14	80192884012	SCREW,MACHINE	1		M4X12				
15	80192885014	SCREW,MACHINE	4		M5X14				
16	80175805010	SCREW,MACHINE	4		M5X10				
17	80175804010	SCREW,MACHINE	4		M4X10				
21	90201500400	NUT	1		M4				
100	42834432000	BOX,TOOL	1						

**AT-147-1 42096120700 LOWER, MITSUBISHI KK-73EBY6K2  
PX1390645-01 MODIFICATION PARTS**



CLICK HERE TO **DOWNLOAD** THE COMPLETE MANUAL

- Thank you very much for reading the preview of the manual.
- You can download the complete manual from: [www.heydownloads.com](http://www.heydownloads.com) by clicking the link below



- Please note: If there is no response to CLICKING the link, please download this PDF first and then click on it.

CLICK HERE TO **DOWNLOAD** THE COMPLETE MANUAL