

AT-146-2 42095223400 LOWER,MITSUBISHI PA-FE73DBY 6K3

PO1000127-01 INDICATION PLATES

PX2000819-00 CARRIER UNIT

ASSEMBLY

CLICK HERE TO **DOWNLOAD** THE COMPLETE MANUAL

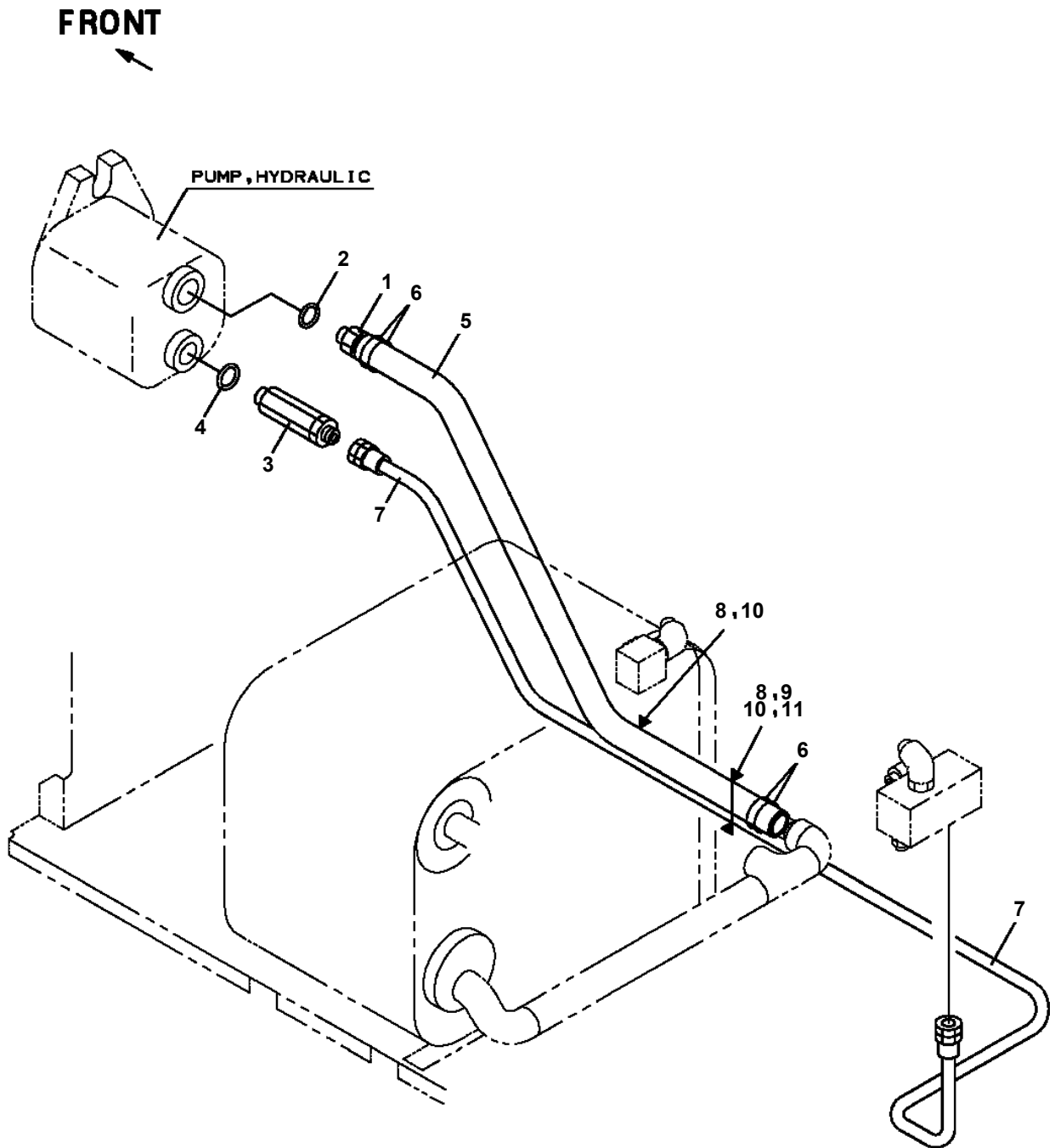
- Thank you very much for reading the preview of the manual.
- You can download the complete manual from: www.heydownloads.com by clicking the link below



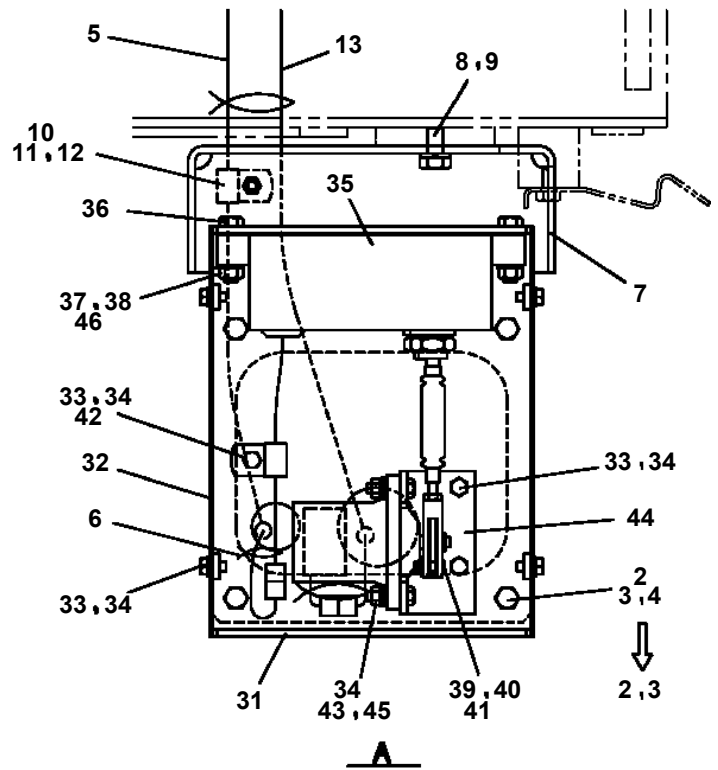
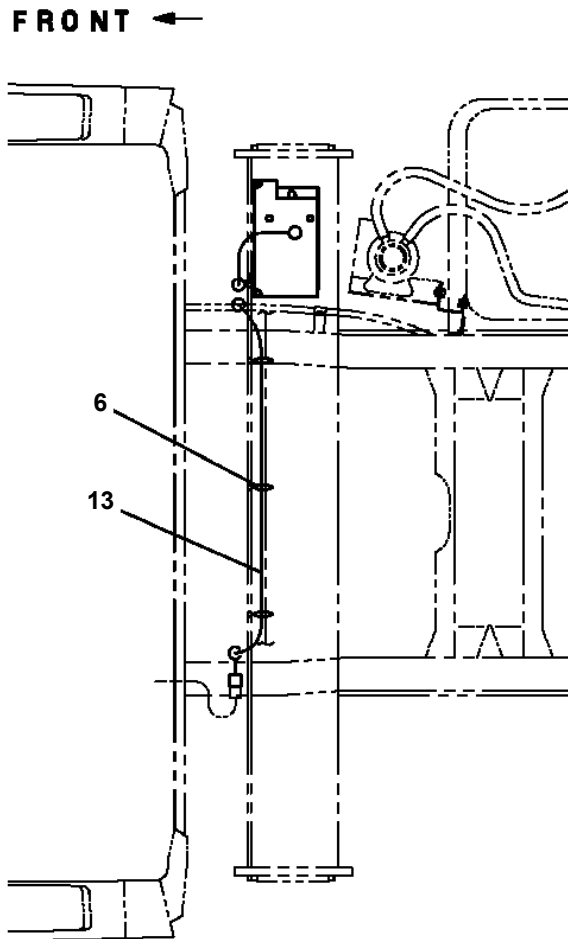
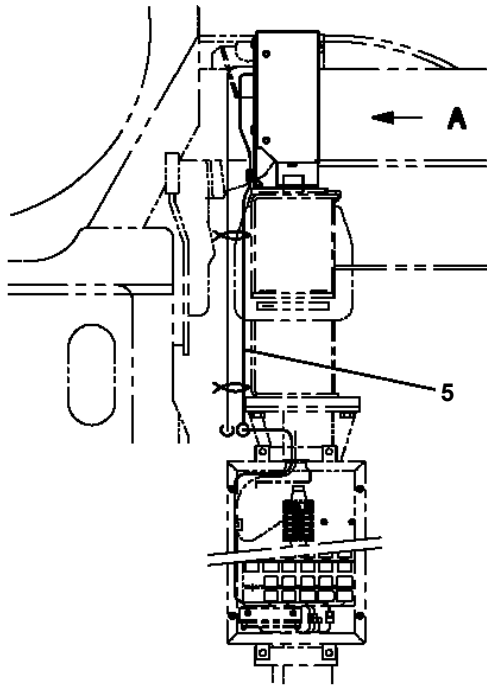
- Please note: If there is no response to CLICKING the link, please download this PDF first and then click on it.

CLICK HERE TO **DOWNLOAD** THE COMPLETE MANUAL

AT-146-2 42095223400 LOWER, MITSUBISHI PA-FE73DBY 6K3
PB1411629-00 PIPING, LOWER



AT-146-2 42095223400 LOWER, MITSUBISHI PA-FE73DBY 6K3
PL1030937-01 OPE.ASSY, ACCELERATOR



AT-146-2 42095223400 LOWER,MITSUBISHI PA-FE73DBY 6K3

Pos No.	Parts No	Parts Name	Qty	Unit	Technical Data	Serial No (Start)	Serial No (End)	Remarks	Pages
1	42895820100	CARRIER	1						
2	42895820200	HANDLE	1						

AT-146-2 42095223400 LOWER,MITSUBISHI PA-FE73DBY 6K3

Pos No.	Parts No	Parts Name	Qty	Unit	Technical Data	Serial No (Start)	Serial No (End)	Remarks	Pages
1	91810130240	FASTENER	10						
2	90186208014	BOLT,FLANGE	8		M8X14				
3	42809260100	SUPPORT	1						
4	42808050100	SUPPORT	1						
5	90186206016	BOLT,FLANGE	6		M6X16				
6	90280200800	NUT,FLANGE	2		M8				
7	42809190100	SUPPORT	1						
8	42895690100	HARNESS	1		L=1000				
9	42895690200	HARNESS	1		L=1000				

CLICK HERE TO **DOWNLOAD** THE COMPLETE MANUAL

- Thank you very much for reading the preview of the manual.
- You can download the complete manual from: www.heydownloads.com by clicking the link below



- Please note: If there is no response to CLICKING the link, please download this PDF first and then click on it.

CLICK HERE TO **DOWNLOAD** THE COMPLETE MANUAL