

AT-146-2 42095261700 LOWER, TOYOTA PB-XZU354H-TKMSW6

PO1000127-01 INDICATION PLATES

PX2000831-00 CARRIER UNIT

ASSEMBLY

CLICK HERE TO **DOWNLOAD** THE COMPLETE MANUAL

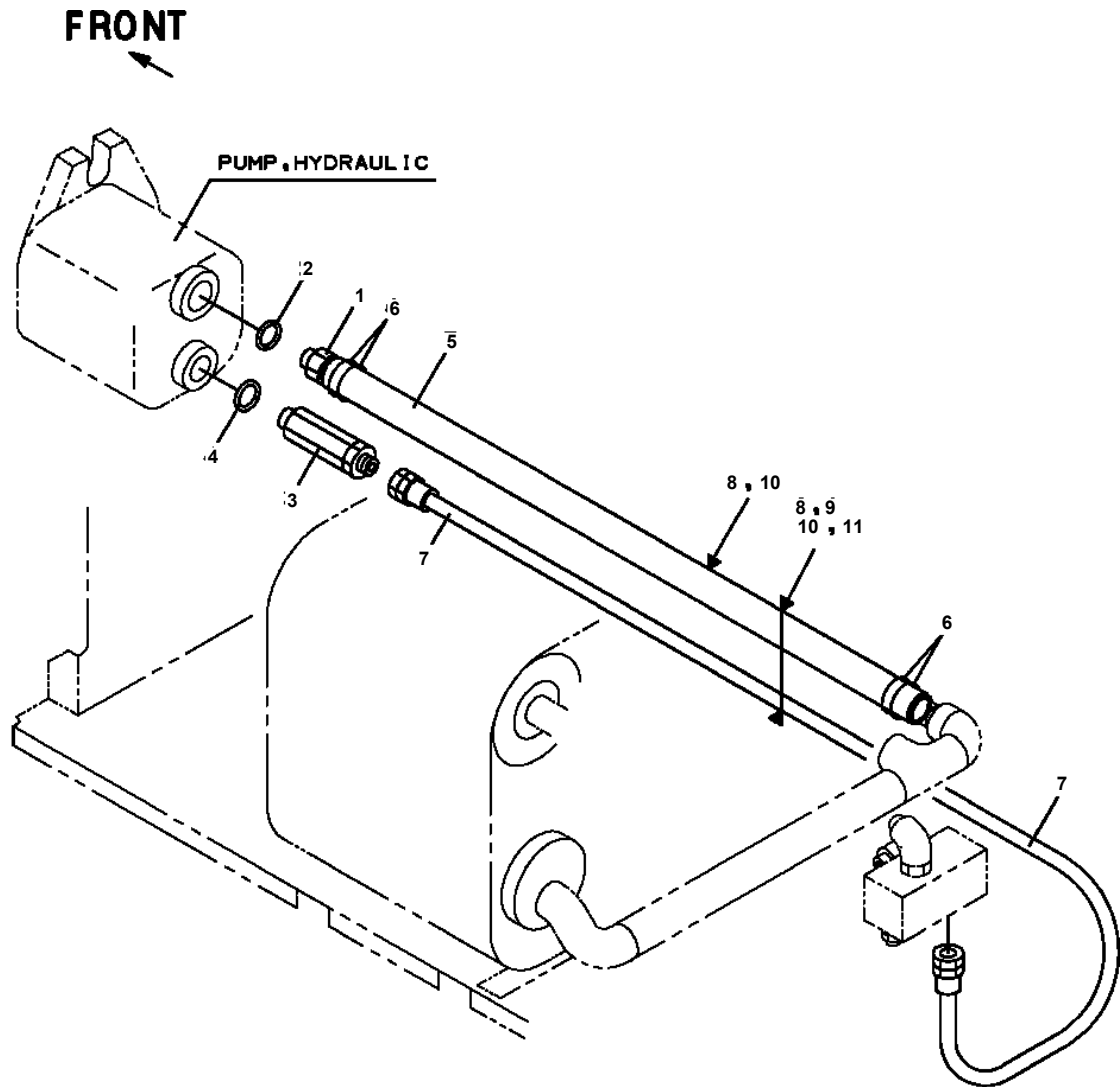
- Thank you very much for reading the preview of the manual.
- You can download the complete manual from: www.heydownloads.com by clicking the link below



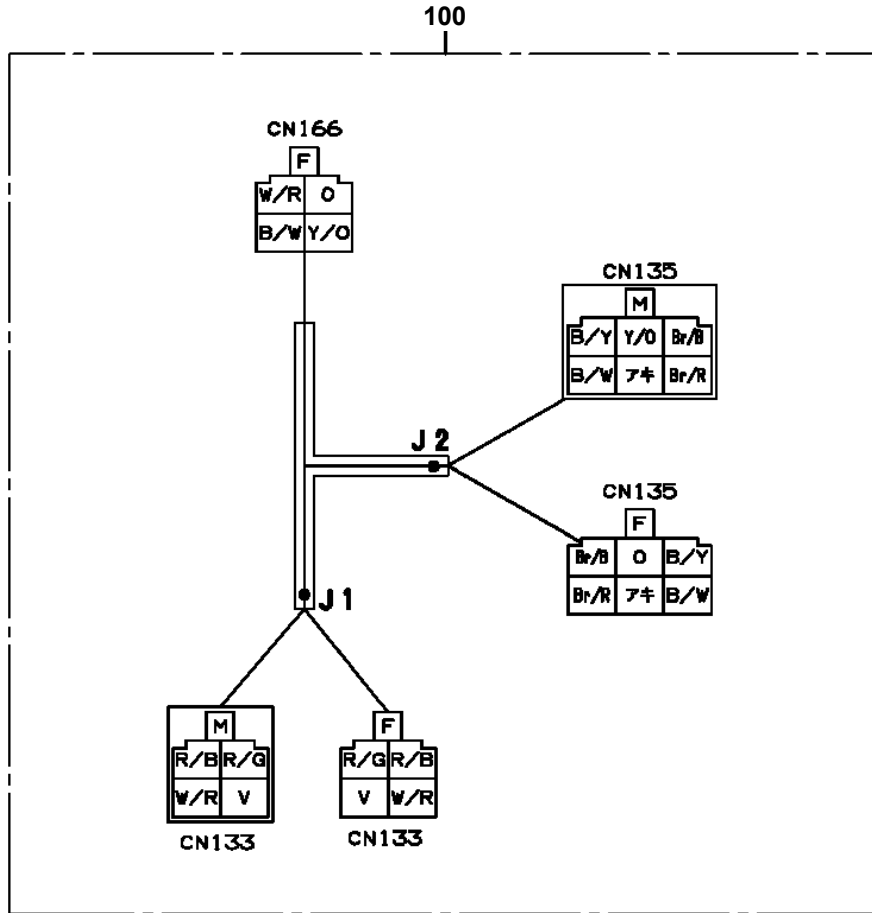
- Please note: If there is no response to CLICKING the link, please download this PDF first and then click on it.

CLICK HERE TO **DOWNLOAD** THE COMPLETE MANUAL

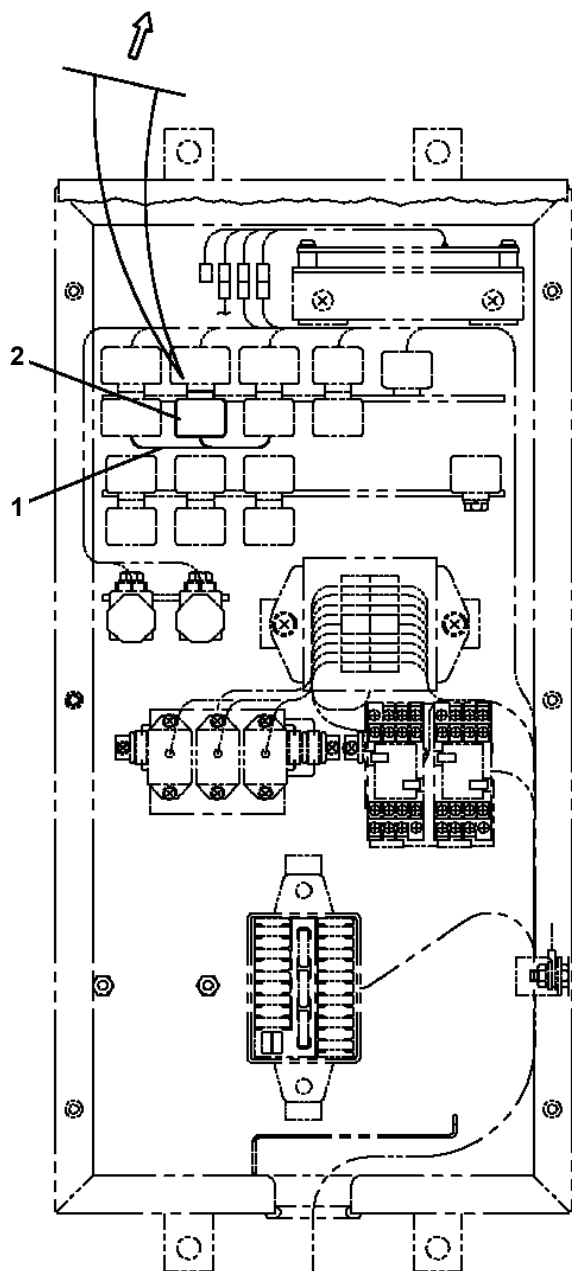
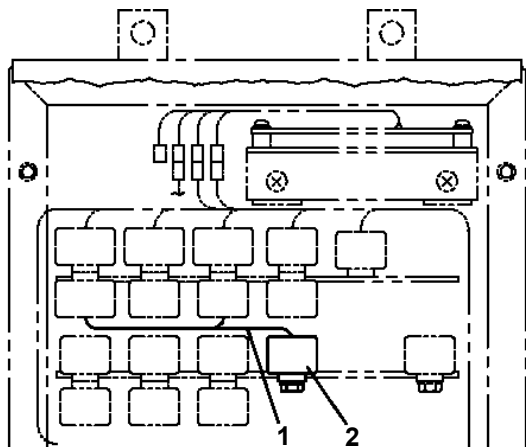
AT-146-2 42095261700 LOWER, TOYOTA PB-XZU354H-TKMSW6
PB1411677-00 PIPING, LOWER



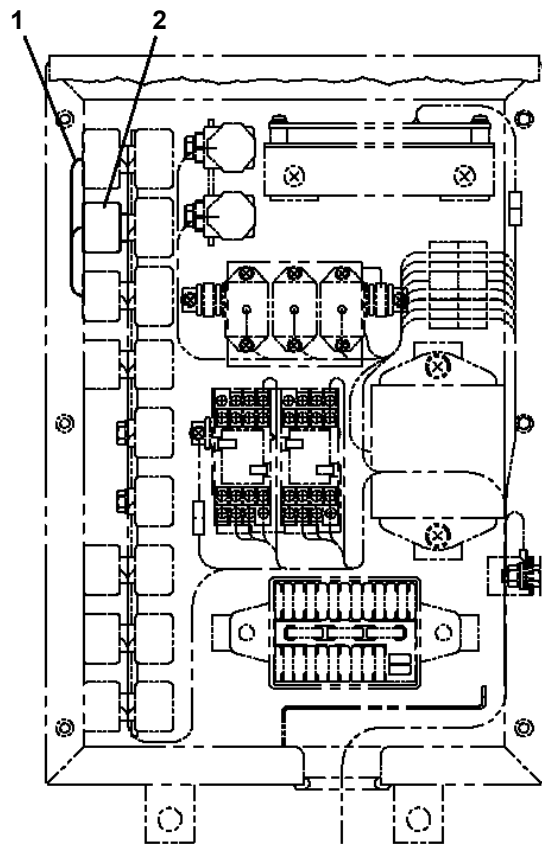
AT-146-2 42095261700 LOWER, TOYOTA PB-XZU354H-TKMSW6
 PH5034645-00 HARNESS



**AT-146-2 42095261700 LOWER, TOYOTA PB-XZU354H-TKMSW6
PN1110351-01 RELAY ASSY (B-TYPE, TOYOTA, HINO)**

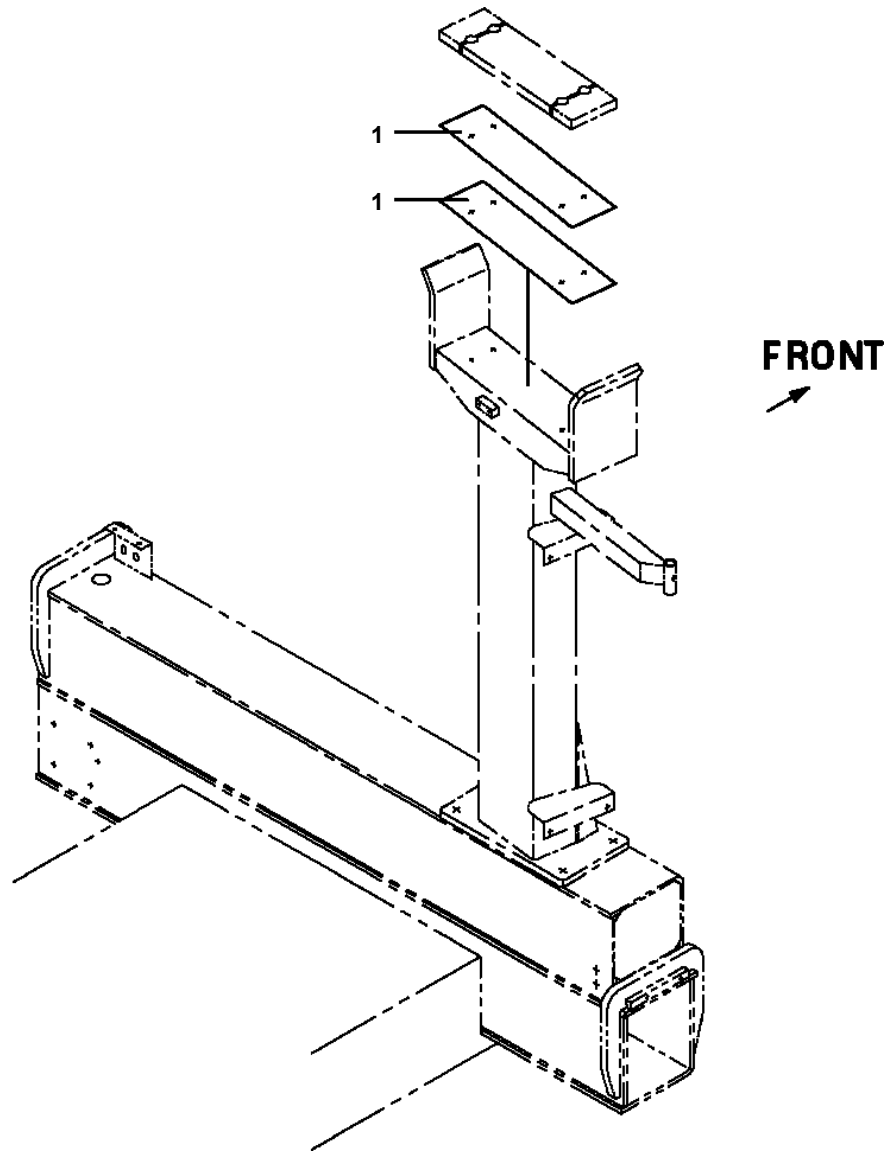


標準仕様



またぎO/R仕様

**AT-146-2 42095261700 LOWER, TOYOTA PB-XZU354H-TKMSW6
PX1120482-00 BOOM REST (PLATE)**



AT-146-2 42095261700 LOWER,TOYOTA PB-XZU354H-TKMSW6

| Pos No. | Parts No | Parts Name | Qty | Unit | Technical Data | Serial No (Start) | Serial No (End) | Remarks | Pages |
|---------|-------------|---------------|-----|------|----------------|-------------------|-----------------|---------|-------|
| 1 | 42696601000 | DECK | 1 | | | | | | |
| 2 | 91803600300 | CLIP | 1 | | D=22-30 | | | | |
| 3 | 42695530100 | SUPPORT | 4 | | | | | | |
| 4 | 89631303000 | HOSE,VINYL | 1 | | 22X26,25,3M | | | | |
| 5 | 90201200800 | NUT | 1 | | M8 | | | | |
| 6 | 90190208025 | BOLT | 8 | | M8X25 | | | | |
| 7 | 90302040801 | WASHER,SPRING | 9 | | 8 | | | | |
| 8 | 37000506550 | PLATE | 8 | | T=1.6 | | | | |
| 9 | 37000563420 | PLATE | 4 | | T=3 | | | | |
| 10 | 90101210030 | BOLT | 8 | | M10X30 | | | | |
| 11 | 90302041001 | WASHER,SPRING | 8 | | 10 | | | | |
| 12 | 90303071001 | WASHER,PLAIN | 8 | | 10 | | | | |
| 13 | 90201201000 | NUT | 8 | | M10 | | | | |
| 14 | 82401601002 | CLAMP | 1 | | | | | | |
| 15 | 91810130240 | FASTENER | 1 | | | | | | |
| 16 | 82100002016 | CLAMP | 2 | | WR25 | | | | |
| 17 | 90101206020 | BOLT | 1 | | M6X20 | | | | |
| 18 | 90303070601 | WASHER,PLAIN | 1 | | 6 | | | | |
| 19 | 90302040601 | WASHER,SPRING | 1 | | 6 | | | | |
| 20 | 90201200600 | NUT | 1 | | M6 | | | | |

CLICK HERE TO **DOWNLOAD** THE COMPLETE MANUAL

- Thank you very much for reading the preview of the manual.
- You can download the complete manual from: www.heydownloads.com by clicking the link below



- Please note: If there is no response to CLICKING the link, please download this PDF first and then click on it.

CLICK HERE TO **DOWNLOAD** THE COMPLETE MANUAL