

AT-146-2 42095242100 LOWER,ISUZU PB-NKR81N-E5JXHY

PO1000127-01 INDICATION PLATES

PX2000380-00 CARRIER UNIT

ASSEMBLY

CLICK HERE TO **DOWNLOAD** THE COMPLETE MANUAL

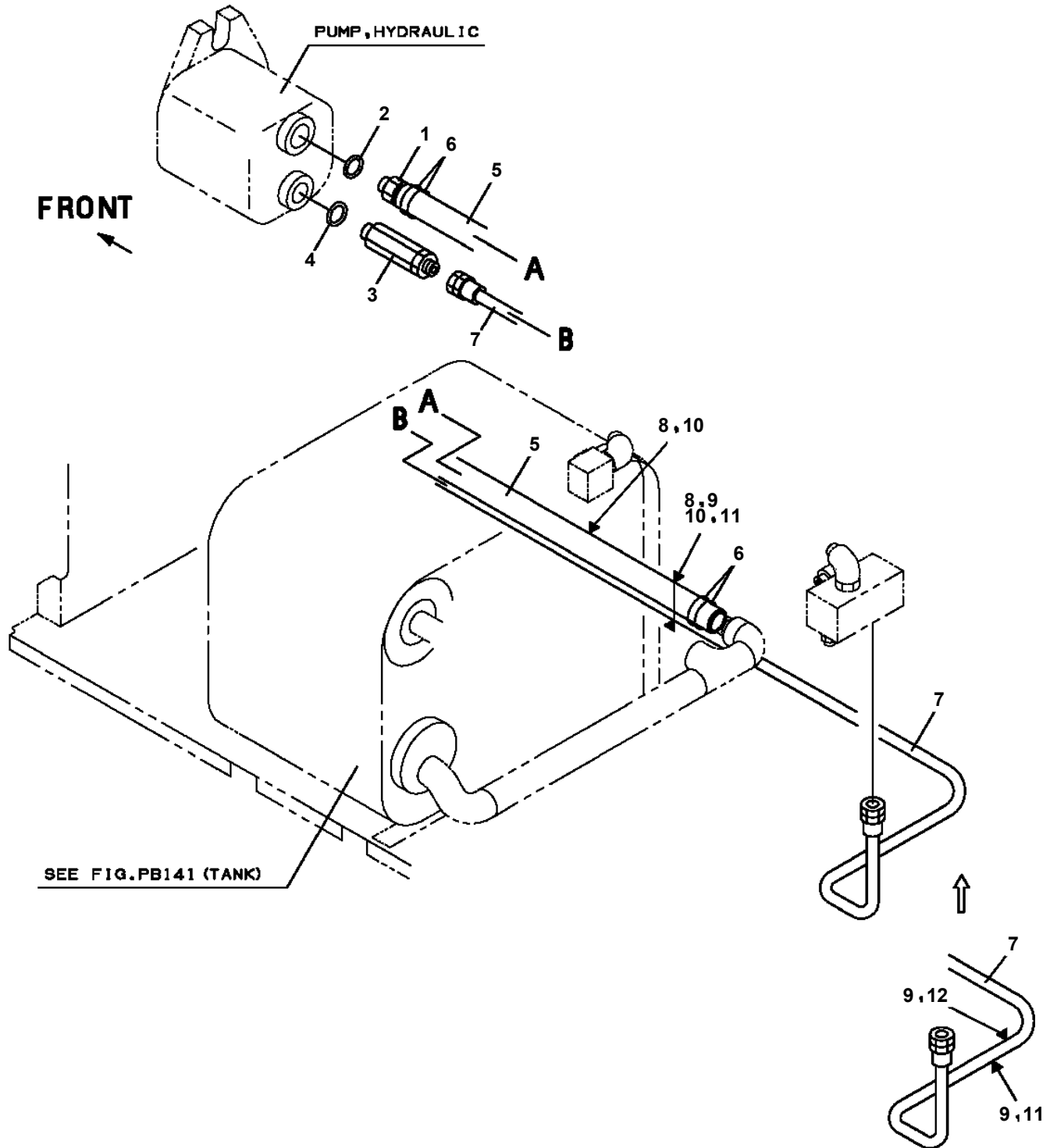
- Thank you very much for reading the preview of the manual.
- You can download the complete manual from: www.heydownloads.com by clicking the link below



- Please note: If there is no response to CLICKING the link, please download this PDF first and then click on it.

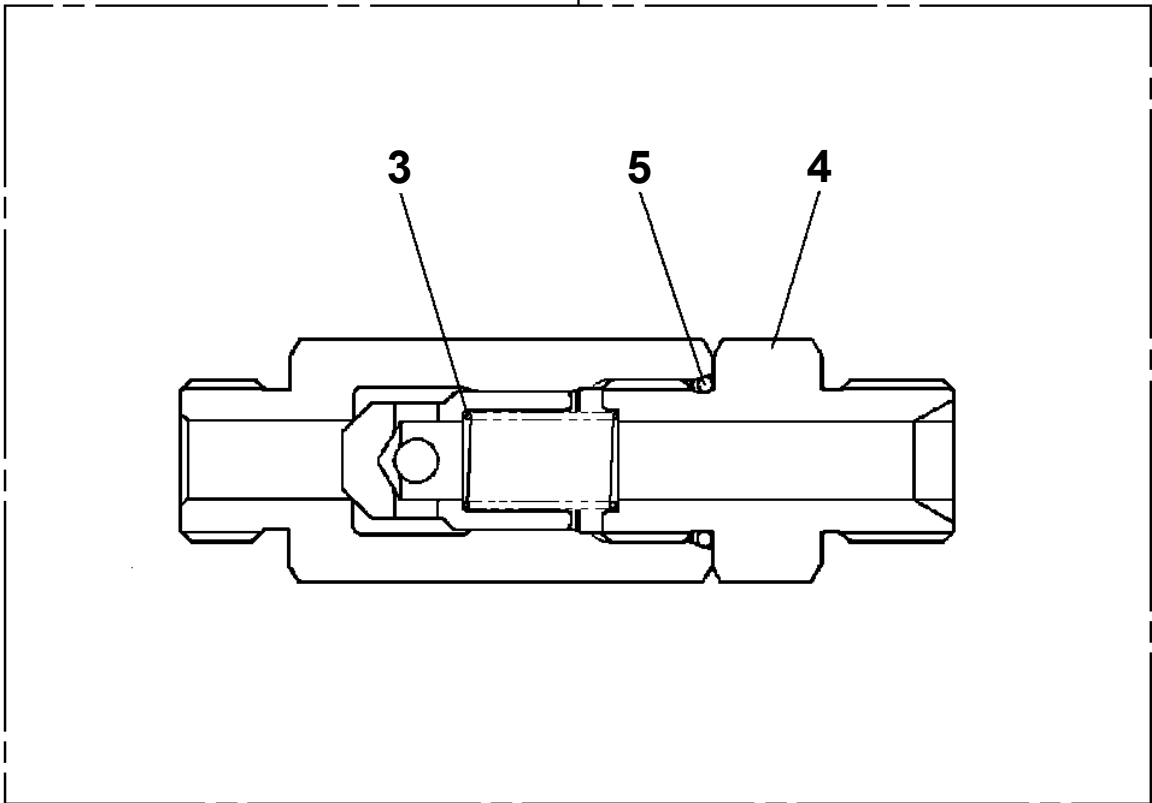
CLICK HERE TO **DOWNLOAD** THE COMPLETE MANUAL

AT-146-2 42095242100 LOWER,ISUZU PB-NKR81N-E5JXHY
PB1411567-00 PIPING,LOWER



**AT-146-2 42095242100 LOWER,ISUZU PB-NKR81N-E5JXHY
PI1140188-00 VALVE,CHECK**

50



AT-146-2 42095242100 LOWER,ISUZU PB-NKR81N-E5JXHY

Pos No.	Parts No	Parts Name	Qty	Unit	Technical Data	Serial No (Start)	Serial No (End)	Remarks	Pages
1	42941160010	PLATE,NAME	1						
2	37002224450	PLATE,NAME	1						

AT-146-2 42095242100 LOWER,ISUZU PB-NKR81N-E5JXHY

Pos No.	Parts No	Parts Name	Qty	Unit	Technical Data	Serial No (Start)	Serial No (End)	Remarks	Pages
1	42844050100	WEIGHT	1				227992		
	42844530100	WEIGHT	1			227993			
2	42843700500	WEIGHT	1				227992		
3	90101216055	BOLT	2		M16X55				
4	90302041601	WASHER,SPRING	6		16		227992		
	90302041601	WASHER,SPRING	4		16	227993			
5	42843700300	WEIGHT	1						
6	90101210030	BOLT	4		M10X30				
7	90302041001	WASHER,SPRING	8		10				
8	90101216065	BOLT	2		M16X65		227992		
9	90101216090	BOLT	2		M16X90				
10	42844520100	WEIGHT	1						
11	90101210055	BOLT	4		M10X55				

CLICK HERE TO **DOWNLOAD** THE COMPLETE MANUAL

- Thank you very much for reading the preview of the manual.
- You can download the complete manual from: www.heydownloads.com by clicking the link below



- Please note: If there is no response to CLICKING the link, please download this PDF first and then click on it.

CLICK HERE TO **DOWNLOAD** THE COMPLETE MANUAL