

AT-146-2 42095222800 LOWER,MITSUBISHI PA-FE73DBY 6K3

PO1000127-01 INDICATION PLATES

PX2000649-00 CARRIER UNIT

ASSEMBLY

CLICK HERE TO **DOWNLOAD** THE COMPLETE MANUAL

- Thank you very much for reading the preview of the manual.
- You can download the complete manual from: www.heydownloads.com by clicking the link below



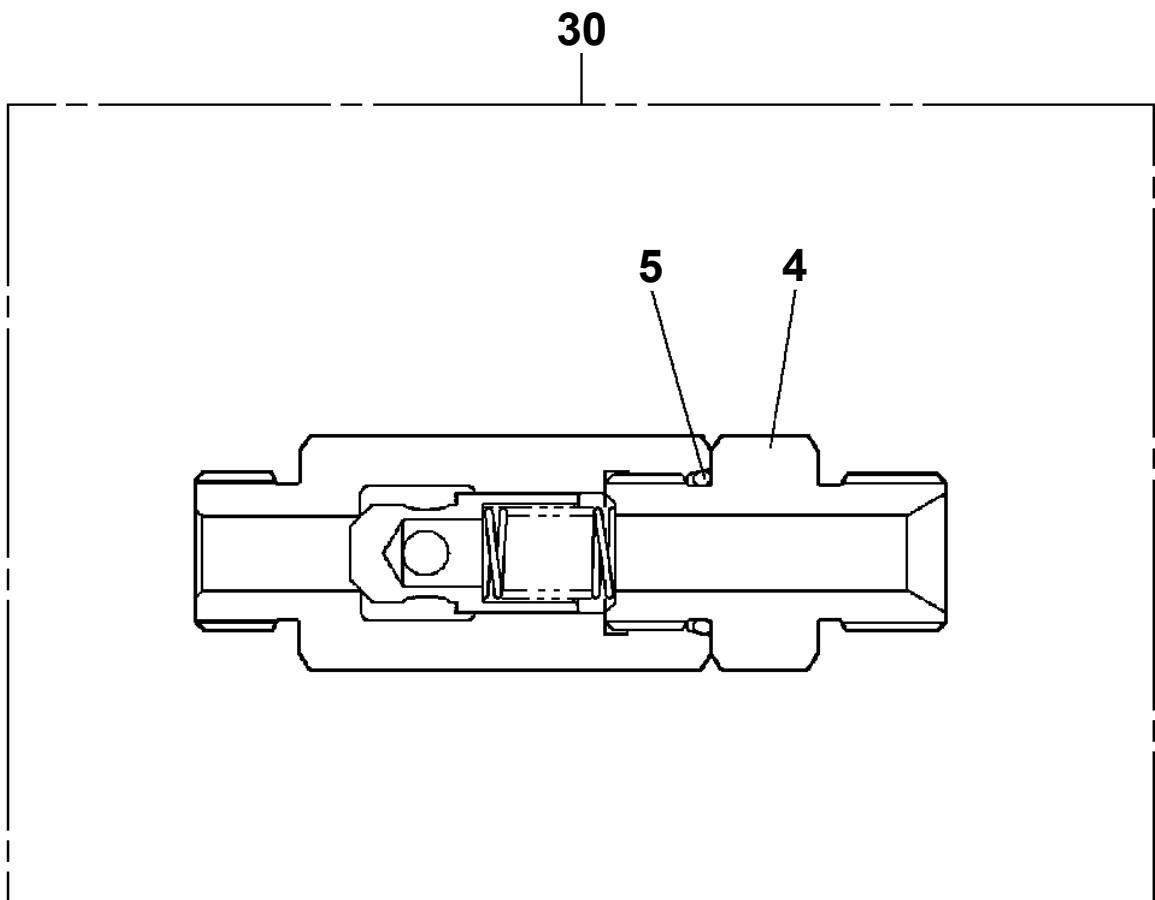
- Please note: If there is no response to CLICKING the link, please download this PDF first and then click on it.

CLICK HERE TO **DOWNLOAD** THE COMPLETE MANUAL

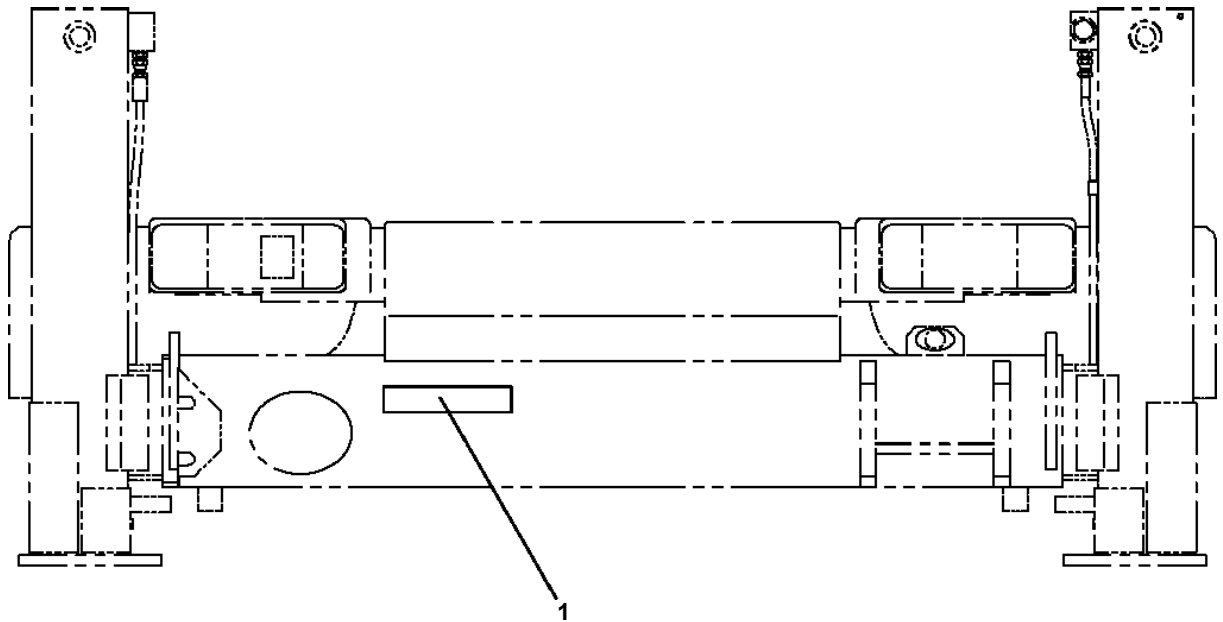
AT-146-2 42095222800 LOWER,MITSUBISHI PA-FE73DBY 6K3

Pos No.	Parts No	Parts Name	Qty	Unit	Technical Data	Serial No (Start)	Serial No (End)	Remarks	Pages
1	80316040100	PLUG	1						

**AT-146-2 42095222800 LOWER, MITSUBISHI PA-FE73DBY 6K3
PI1140189-00 VALVE, CHECK**



**AT-146-2 42095222800 LOWER, MITSUBISHI PA-FE73DBY 6K3
PO1013383-00 PLATE ASSY, NAME (LOADING CAPACITY 500KG)**



AT-146-2 42095222800 LOWER,MITSUBISHI PA-FE73DBY 6K3

Pos No.	Parts No	Parts Name	Qty	Unit	Technical Data	Serial No (Start)	Serial No (End)	Remarks	Pages
1	42845720100	WEIGHT	1						
2	90101216040	BOLT	2		M16X40				
3	90302041601	WASHER,SPRING	2		16				
4	42844750100	WEIGHT	1						
5	90171110030	BOLT	4		M10X30				
6	90302041001	WASHER,SPRING	8		10				
7	42845700100	WEIGHT	1						
8	90171110025	BOLT	4		M10X25				

CLICK HERE TO **DOWNLOAD** THE COMPLETE MANUAL

- Thank you very much for reading the preview of the manual.
- You can download the complete manual from: www.heydownloads.com by clicking the link below



- Please note: If there is no response to CLICKING the link, please download this PDF first and then click on it.

CLICK HERE TO **DOWNLOAD** THE COMPLETE MANUAL