

AT-146-2 42095210200 LOWER,NISSAN PB-AKR81N-E5NXHY

PO1000127-01 INDICATION PLATES

PX2000642-00 CARRIER UNIT

ASSEMBLY

CLICK HERE TO **DOWNLOAD** THE COMPLETE MANUAL

- Thank you very much for reading the preview of the manual.
- You can download the complete manual from: www.heydownloads.com by clicking the link below



- Please note: If there is no response to CLICKING the link, please download this PDF first and then click on it.

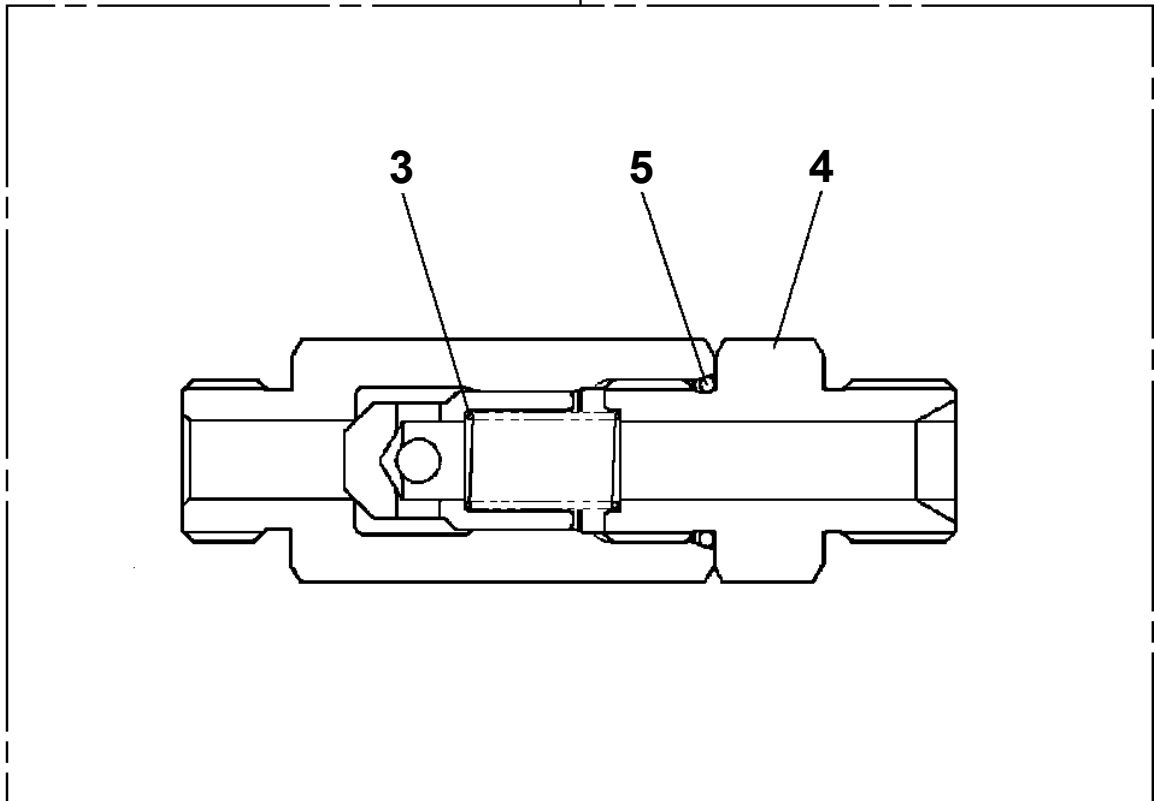
CLICK HERE TO **DOWNLOAD** THE COMPLETE MANUAL

AT-146-2 42095210200 LOWER,NISSAN PB-AKR81N-E5NXHY

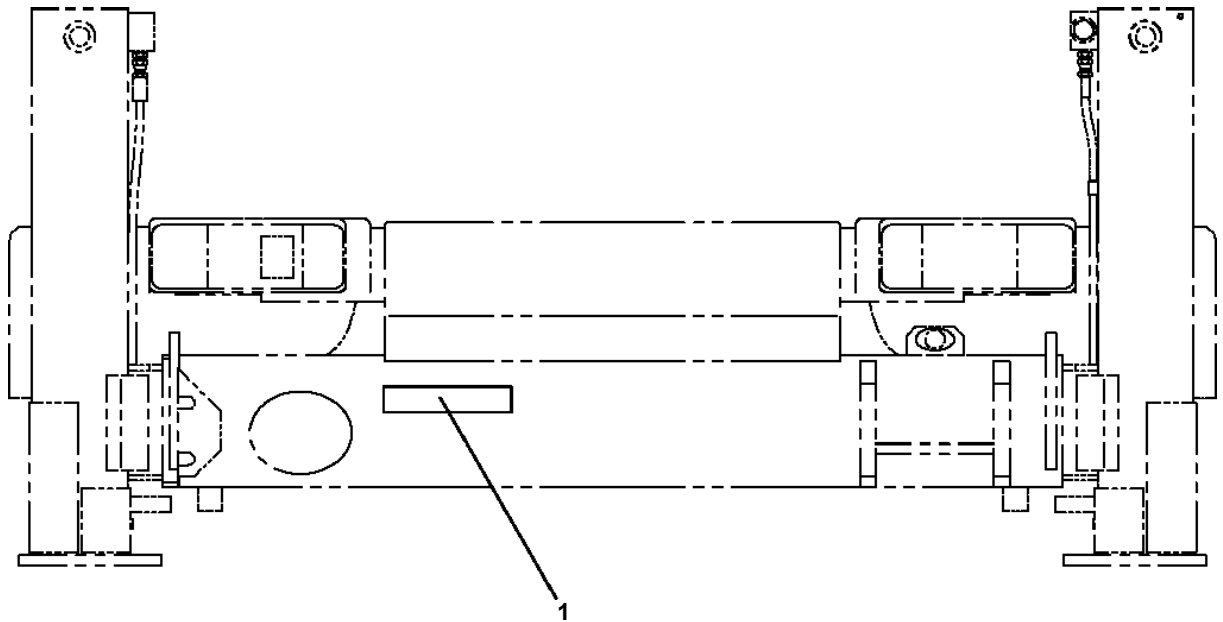
Pos No.	Parts No	Parts Name	Qty	Unit	Technical Data	Serial No (Start)	Serial No (End)	Remarks	Pages
1	44340011200	JOINT	1		PF1				
2	91002802900	O-RING	1		1B P29				
3	36625510000	VALVE,CHECK	1						000012
	36625520000	VALVE,CHECK	1						000013
4	91002801800	O-RING	1		1B P18				
5	37002502090	HOSE	1		L=600				
6	91803600400	CLIP	4		D=27-40				
7	37002400720	HOSE	1		L=1600				
8	82100002018	CLAMP	2		WR35				
9	82100002016	CLAMP	1		WR25				
10	90186208020	BOLT,FLANGE	2		M8X20				
11	90280200800	NUT,FLANGE	1		M8				

**AT-146-2 42095210200 LOWER,NISSAN PB-AKR81N-E5NXHY
PI1140188-00 VALVE,CHECK**

50



**AT-146-2 42095210200 LOWER,NISSAN PB-AKR81N-E5NXHY
PO1013383-00 PLATE ASSY,NAME (LOADING CAPACITY 500KG)**



AT-146-2 42095210200 LOWER,NISSAN PB-AKR81N-E5NXHY

Pos No.	Parts No	Parts Name	Qty	Unit	Technical Data	Serial No (Start)	Serial No (End)	Remarks	Pages
1	42895420100	COVER	1						
2	90186208014	BOLT,FLANGE	2		M8X14				
3	90303070801	WASHER,PLAIN	2		8				

CLICK HERE TO **DOWNLOAD** THE COMPLETE MANUAL

- Thank you very much for reading the preview of the manual.
- You can download the complete manual from: www.heydownloads.com by clicking the link below



- Please note: If there is no response to CLICKING the link, please download this PDF first and then click on it.

CLICK HERE TO **DOWNLOAD** THE COMPLETE MANUAL