

AT-146-2 42095242300 LOWER,ISUZU PB-NKR81N-E5JXHY

PO1000127-01 INDICATION PLATES

PX2000382-00 CARRIER UNIT

ASSEMBLY

CLICK HERE TO **DOWNLOAD** THE COMPLETE MANUAL

- Thank you very much for reading the preview of the manual.
- You can download the complete manual from: www.heydownloads.com by clicking the link below



- Please note: If there is no response to CLICKING the link, please download this PDF first and then click on it.

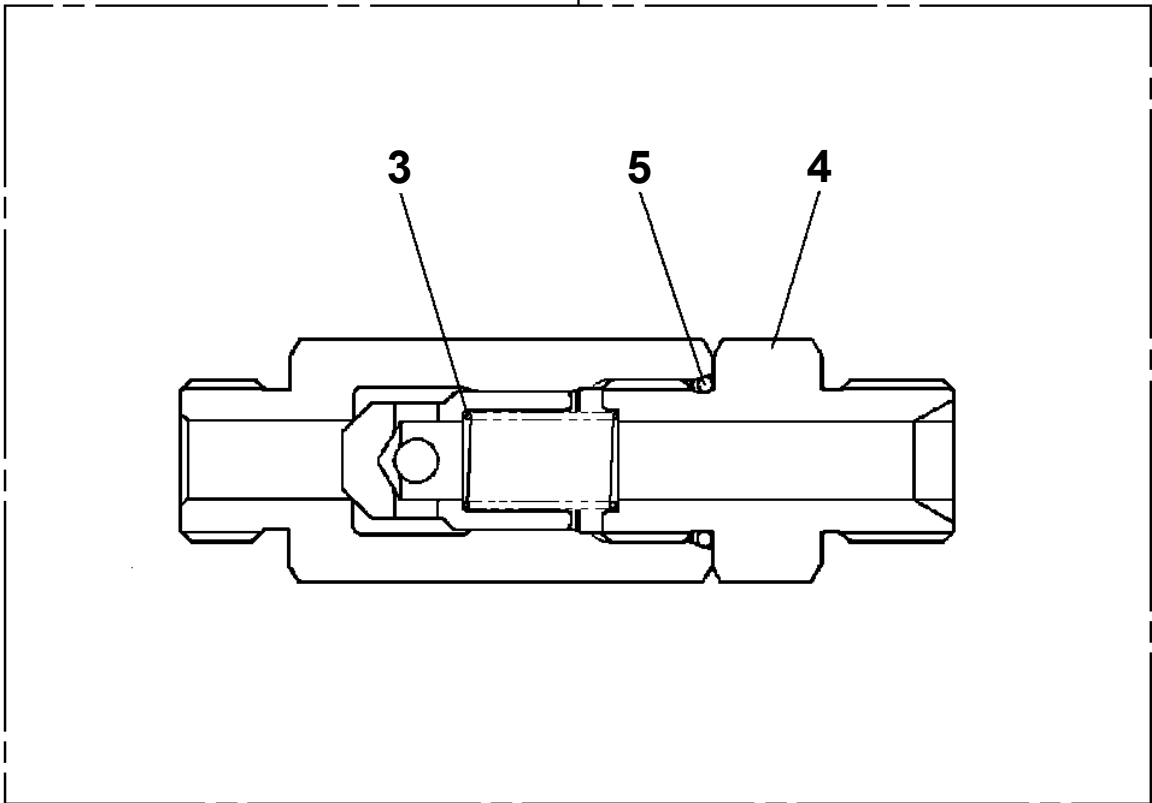
CLICK HERE TO **DOWNLOAD** THE COMPLETE MANUAL

AT-146-2 42095242300 LOWER,ISUZU PB-NKR81N-E5JXHY

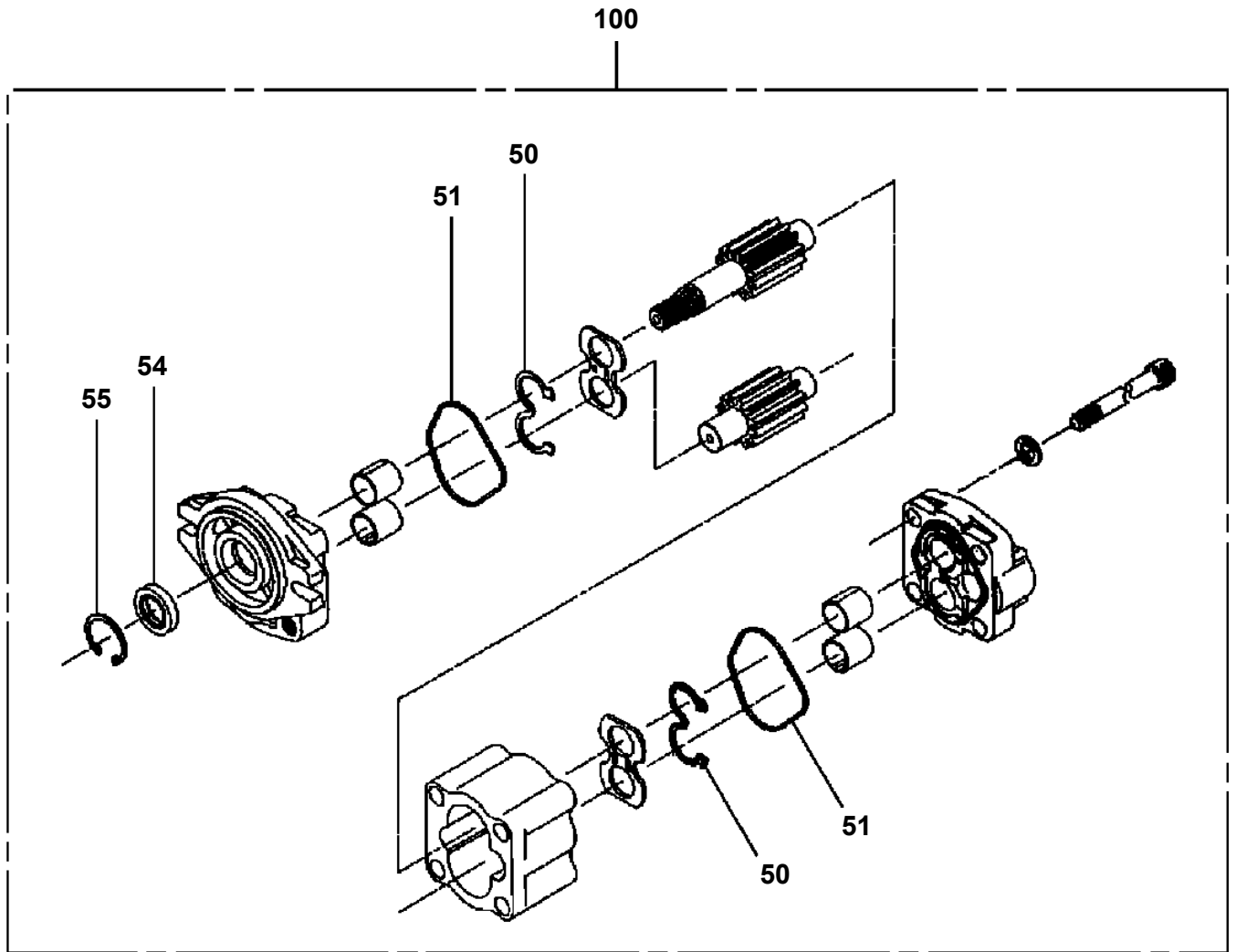
Pos No.	Parts No	Parts Name	Qty	Unit	Technical Data	Serial No (Start)	Serial No (End)	Remarks	Pages
1	44340011200	JOINT	1		PF1				
2	91002802900	O-RING	1		1B P29				
3	36625520000	VALVE,CHECK	1						000013
	36625510000	VALVE,CHECK	1						000012
4	91002801800	O-RING	1		1B P18				
5	37002502090	HOSE	1		L=600				
6	91803600400	CLIP	4		D=27-40				
7	37002400720	HOSE	1		L=1600				
8	82100002018	CLAMP	2		WR35				
9	82100002016	CLAMP	1		WR25				
10	90186208020	BOLT,FLANGE	2		M8X20				
11	90280200800	NUT,FLANGE	1		M8				

**AT-146-2 42095242300 LOWER,ISUZU PB-NKR81N-E5JXHY
PI1140188-00 VALVE,CHECK**

50



AT-146-2 42095242300 LOWER,ISUZU PB-NKR81N-E5JXHY
PP5500003-00 PUMP,OIL (32CC:L)



AT-146-2 42095242300 LOWER,ISUZU PB-NKR81N-E5JXHY

Pos No.	Parts No	Parts Name	Qty	Unit	Technical Data	Serial No (Start)	Serial No (End)	Remarks	Pages
1	42844050100	WEIGHT	1				228026		
	42844530100	WEIGHT	1			228027			
2	42843700500	WEIGHT	1				228026		
3	90101216055	BOLT	2		M16X55				
4	90302041601	WASHER,SPRING	6		16		228026		
	90302041601	WASHER,SPRING	4		16	228027			
8	90101216065	BOLT	2		M16X65		228026		
9	90101216090	BOLT	2		M16X90				

CLICK HERE TO **DOWNLOAD** THE COMPLETE MANUAL

- Thank you very much for reading the preview of the manual.
- You can download the complete manual from: www.heydownloads.com by clicking the link below



- Please note: If there is no response to CLICKING the link, please download this PDF first and then click on it.

CLICK HERE TO **DOWNLOAD** THE COMPLETE MANUAL