

AT-146-2 42095245200 LOWER,ISUZU PB-NKR81N-E5NXHY

PO1000127-01 INDICATION PLATES

PX2000823-00 CARRIER UNIT

ASSEMBLY

CLICK HERE TO **DOWNLOAD** THE COMPLETE MANUAL

- Thank you very much for reading the preview of the manual.
- You can download the complete manual from: www.heydownloads.com by clicking the link below

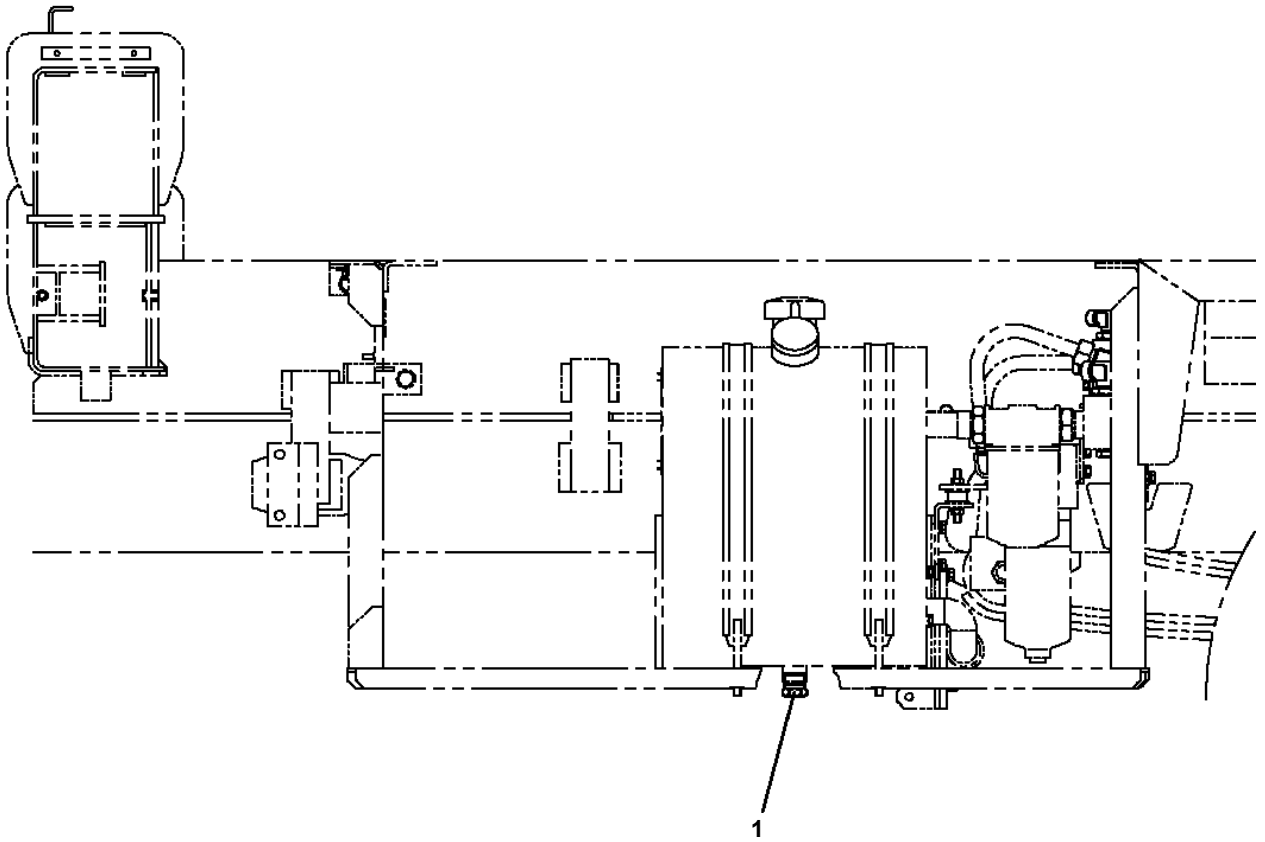


- Please note: If there is no response to CLICKING the link, please download this PDF first and then click on it.

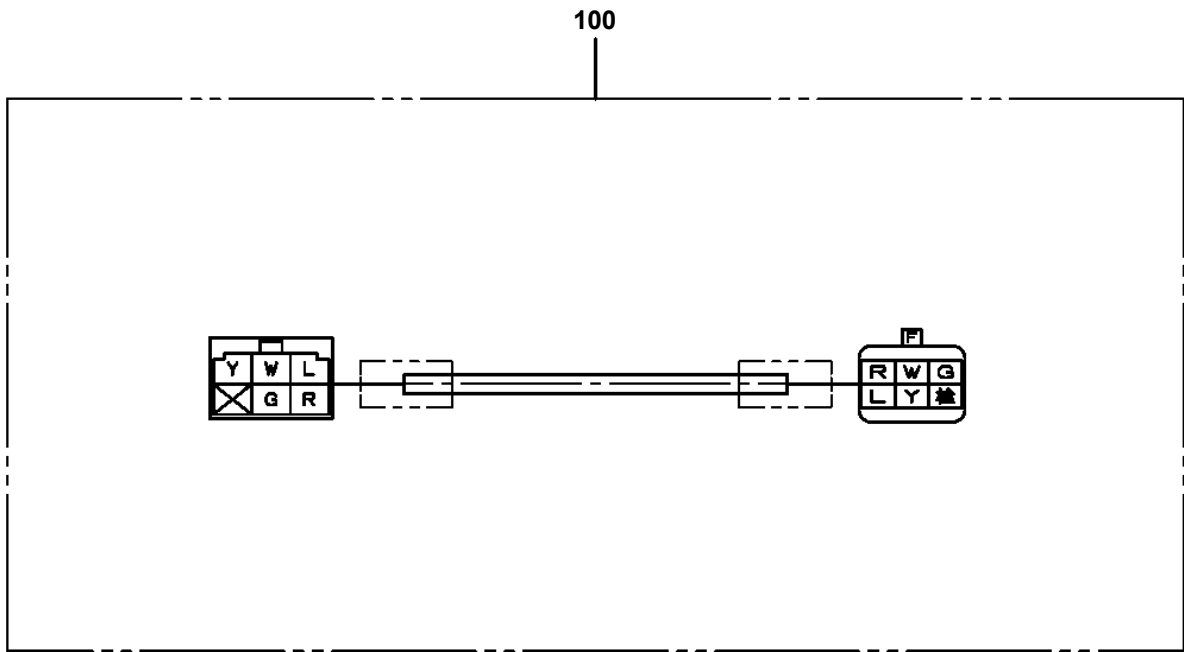
CLICK HERE TO **DOWNLOAD** THE COMPLETE MANUAL

**AT-146-2 42095245200 LOWER,ISUZU PB-NKR81N-E5NXHY
PB1130281-00 TANK,OIL (REPLACE DRAIN PLUG)**

FRONT ←



AT-146-2 42095245200 LOWER,ISUZU PB-NKR81N-E5NXHY
PH5034137-00 HARNESS



AT-146-2 42095245200 LOWER,ISUZU PB-NKR81N-E5NXHY

Pos No.	Parts No	Parts Name	Qty	Unit	Technical Data	Serial No (Start)	Serial No (End)	Remarks	P
1	82420506412	TRIM	1	M					
2	90201800600	NUT	1		M6				
3	42934320100	HARNESS	1						
4	91810132530	FASTENER	10						
5	82115001002	CONNECTOR	2						
6	90201200600	NUT	1		M6				
7	90302040601	WASHER,SPRING	1		6				
8	90303070601	WASHER,PLAIN	1		6				
9	42934351000	LAMP ASSY	1						
10	90101208014	BOLT	2		M8X14				
11	90201200800	NUT	2		M8				
12	90302040801	WASHER,SPRING	2		8				
41	42931550110	SUPPORT	1						
43	42930890210	PLATE,NAME	1						
62	42650551120	LAMP ASSY (YELLOW)	1						

AT-146-2 42095245200 LOWER,ISUZU PB-NKR81N-E5NXHY

Pos No.	Parts No	Parts Name	Qty	Unit	Technical Data	Serial No (Start)	Serial No (End)	Remarks	Pages
1	42873830200	PLATE	2						

AT-146-2 42095245200 LOWER,ISUZU PB-NKR81N-E5NXHY

Pos No.	Parts No	Parts Name	Qty	Unit	Technical Data	Serial No (Start)	Serial No (End)	Remarks	Pages
1	91810130240	FASTENER	10						
2	42806830400	HARNESS	2						000009
3	42809240100	SUPPORT	1						
4	42809370100	SUPPORT	1						
5	90201200500	NUT	8		M5				
6	90302040501	WASHER,SPRING	8		5				
7	90303070501	WASHER,PLAIN	8		5				
8	90186208014	BOLT,FLANGE	8		M8X14				
9	90280200800	NUT,FLANGE	2		M8				
10	42806830300	SUPPORT	1						
11	42806830800	HARNESS	2						000010

CLICK HERE TO **DOWNLOAD** THE COMPLETE MANUAL

- Thank you very much for reading the preview of the manual.
- You can download the complete manual from: www.heydownloads.com by clicking the link below



- Please note: If there is no response to CLICKING the link, please download this PDF first and then click on it.

CLICK HERE TO **DOWNLOAD** THE COMPLETE MANUAL