

AT-146-1 42095130800 LOWER,HINO KK-XZU350E-TKMSS6

PO1000127-01 INDICATION PLATES

PW1000109-01 ACCESSORIES & TOOLS

PX2000131-00 CARRIER UNIT

PX3000123-00 MOUNTING UNIT

PY1000681-00 OPTIONS,1

PY2000039-00 OPTIONS,2

ASSEMBLY

CLICK HERE TO **DOWNLOAD** THE COMPLETE MANUAL

- Thank you very much for reading the preview of the manual.
- You can download the complete manual from: www.heydownloads.com by clicking the link below



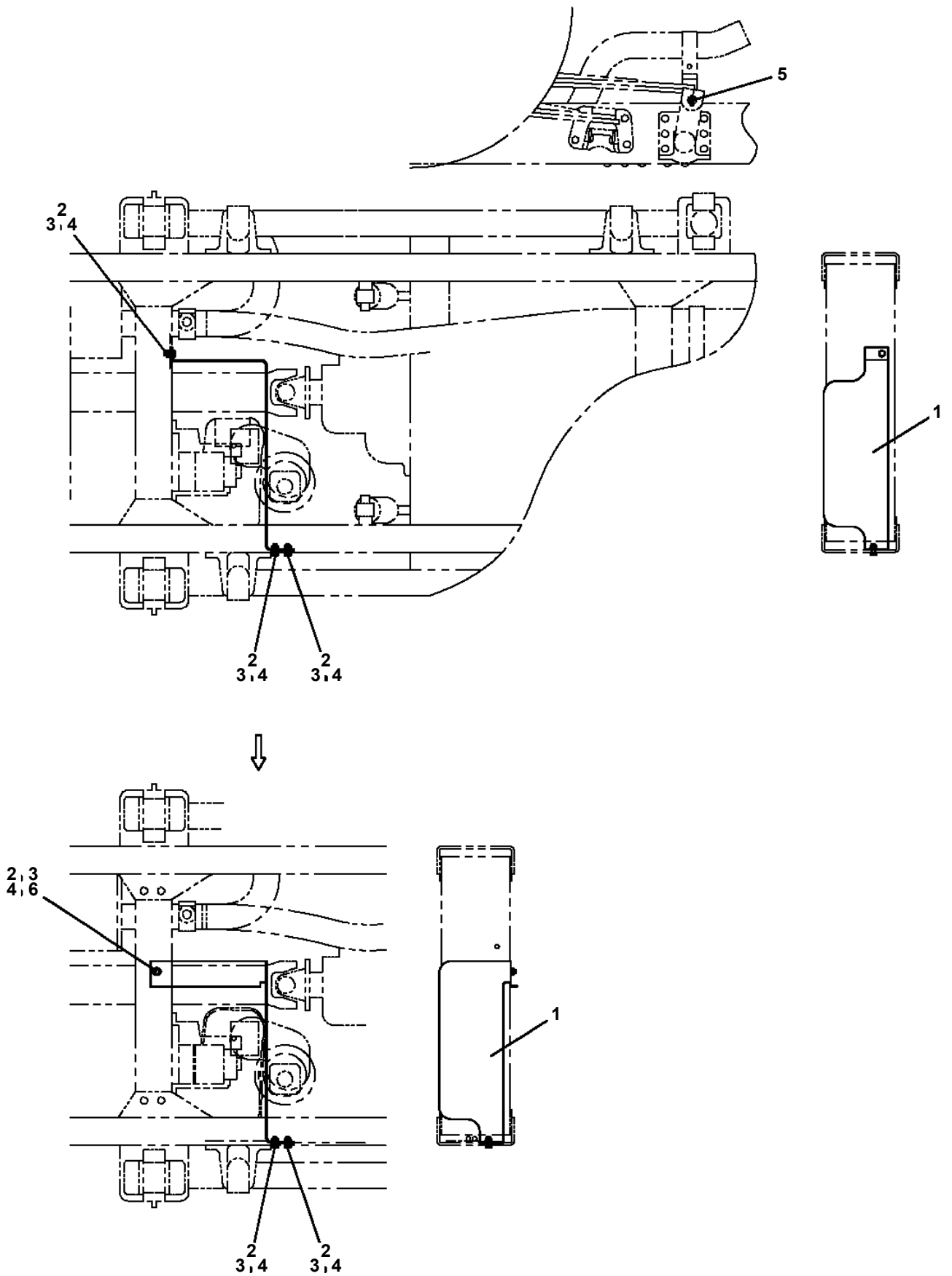
- Please note: If there is no response to CLICKING the link, please download this PDF first and then click on it.

CLICK HERE TO **DOWNLOAD** THE COMPLETE MANUAL

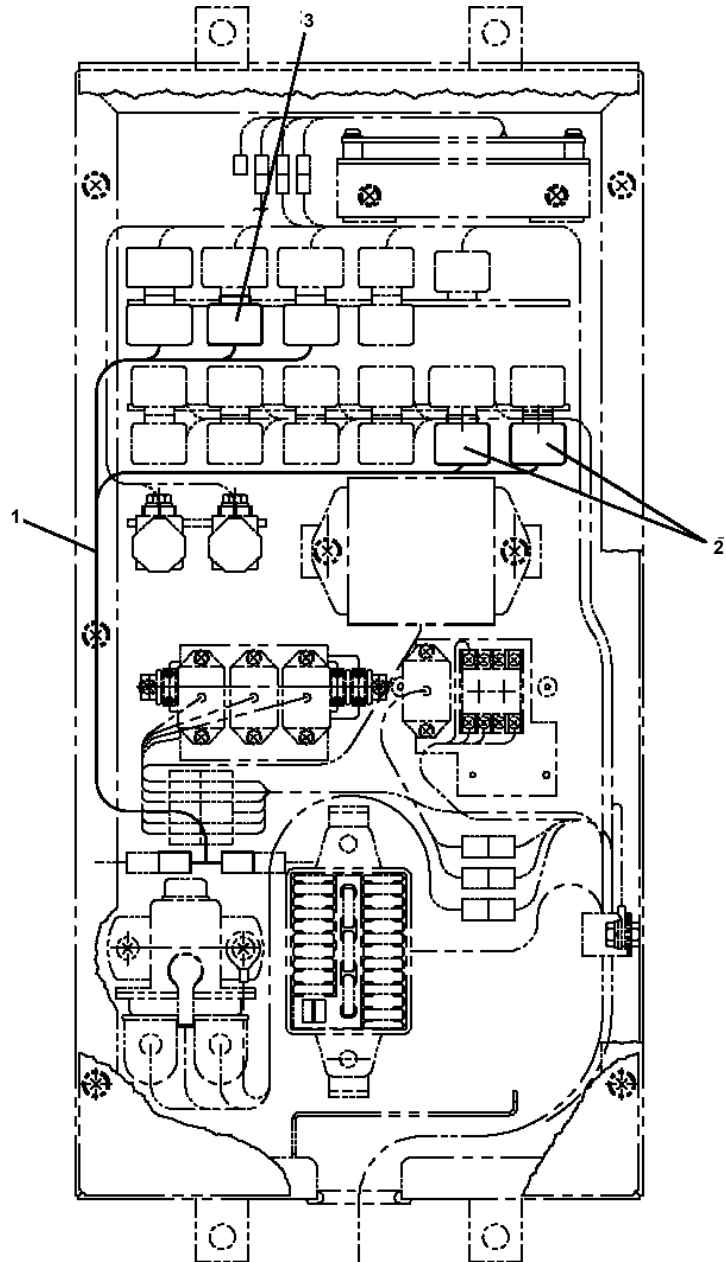
AT-146-1 42095130800 LOWER,HINO KK-XZU350E-TKMSS6

Pos No.	Parts No	Parts Name	Qty	Unit	Technical Data	Serial No (Start)	Serial I
1	(*****)	POWER SUPPLY (LOWER HYDRAULIC OUTLET)	1				
2	(*****)	BOX,TOOL (FOR KANDENKO,CAB)	1				

AT-146-1 42095130800 LOWER, HINO KK-XZU350E-TKMSS6
PB1380119-01 POWER SUPPLY

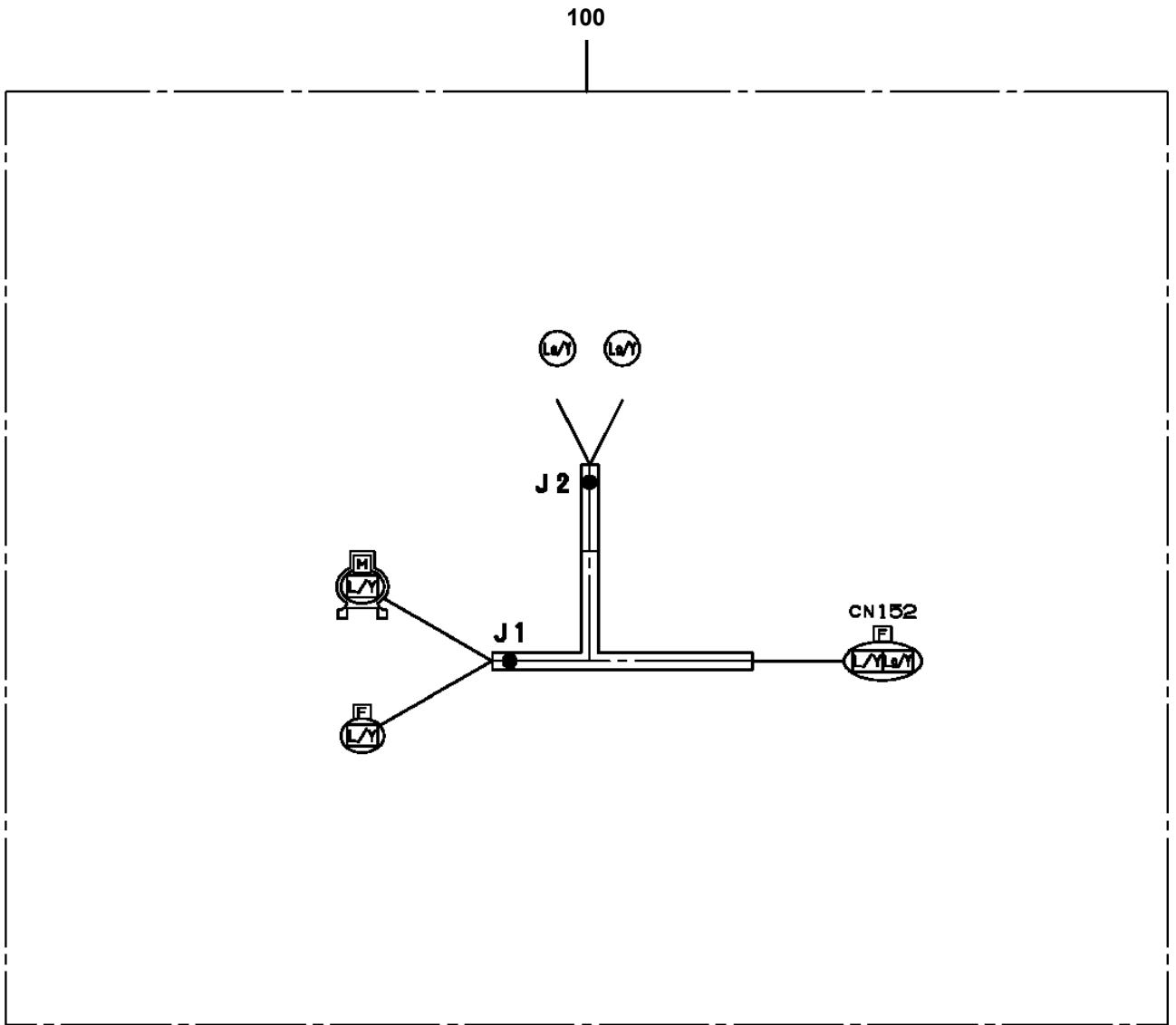


AT-146-1 42095130800 LOWER,HINO KK-XZU350E-TKMSS6
PB1380164-00 POWER SUPPLY (ENGINE/WIRING,MODIFI.)



リレーボックス

AT-146-1 42095130800 LOWER,HINO KK-XZU350E-TKMSS6
PH5032375-00 HARNESS



AT-146-1 42095130800 LOWER,HINO KK-XZU350E-TKMSS6

Pos No.	Parts No	Parts Name	Qty	Unit	Technical Data	Serial No (Start)	Serial No (End)	Remark
2	90101208016	BOLT	4		M8X16			
3	90302040801	WASHER,SPRING	10		8			
4	42714670100	SUPPORT	1					
5	90101208025	BOLT	3		M8X25			
6	90201200800	NUT	3		M8			
7	42714372000	HARNESS	1					
8	37001708370	CABLE,CONTROL	1		L=1500			
9	82100001801	TUBE,CORRUGATE	1	M	7			
10	82100002007	CLAMP	4		WRC10			
11	90101208020	BOLT	3		M8X20			
12	42714040100	SUPPORT	1					
13	42714040400	PLATE	1					
14	90101206018	BOLT	5		M6X18			
15	90201200600	NUT	5		M6			
16	90302040601	WASHER,SPRING	5		6			
17	90303070601	WASHER,PLAIN	3		6			
18	37000105720	PIN	2					
19	80136320012	PIN,SPLIT	2		2X12			
20	91810130240	FASTENER	5					
41	42714371101	SUPPORT	1					
42	42714371201	COVER	1					
43	90101206012	BOLT	7		M6X12			
44	90302040601	WASHER,SPRING	7		6			
45	42714371400	MOTOR ASSY (ASSY ONLY)	1					
46	90101208035	BOLT	2		M8X35			
47	90201200800	NUT	4		M8			
48	90302040801	WASHER,SPRING	2		8			
49	37000105720	PIN	1					
50	80136320010	PIN,SPLIT	1		2X10			
51	90303070601	WASHER,PLAIN	1		6			
52	82100002006	CLAMP	1		WR10			
53	90303070801	WASHER,PLAIN	2		8			
54	42714401100	SUPPORT	1					
55	16311103000	SPRING	1					
56	42710040110	BOLT	1					
57	42714401200	SUPPORT	1					
58	90303071201	WASHER,PLAIN	1		12			
59	80136332020	PIN,SPLIT	1		3.2X20			

CLICK HERE TO **DOWNLOAD** THE COMPLETE MANUAL

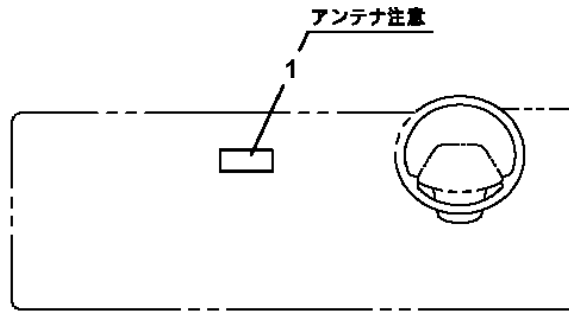
- Thank you very much for reading the preview of the manual.
- You can download the complete manual from: www.heydownloads.com by clicking the link below



- Please note: If there is no response to CLICKING the link, please download this PDF first and then click on it.

CLICK HERE TO **DOWNLOAD** THE COMPLETE MANUAL

AT-146-1 42095130800 LOWER,HINO KK-XZU350E-TKMSS6
PO1013382-01 PLATE ASSY,NAME (ANTENNA)

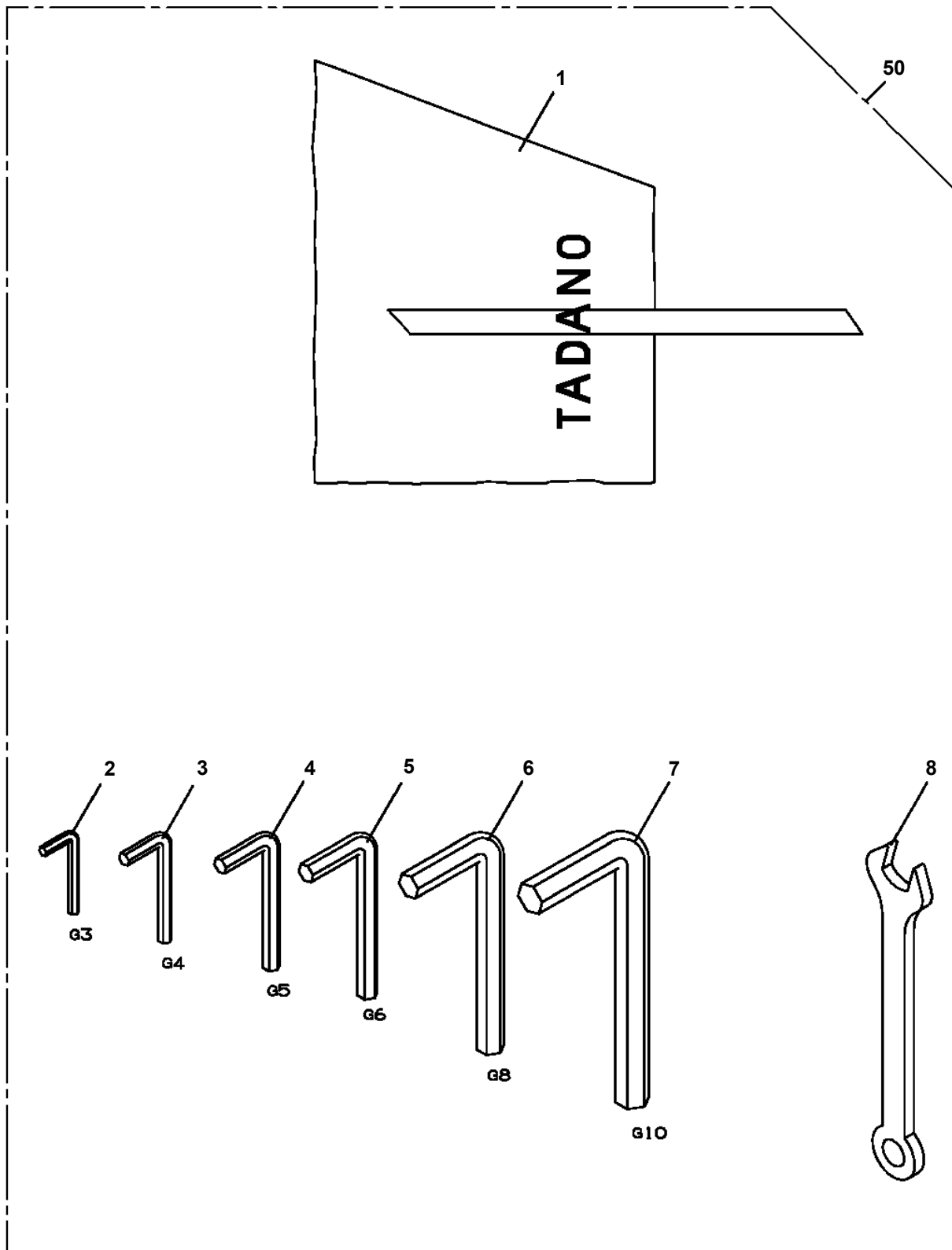


インパネ部参考貼付位置

1

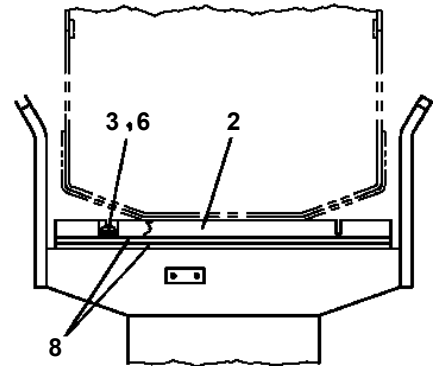
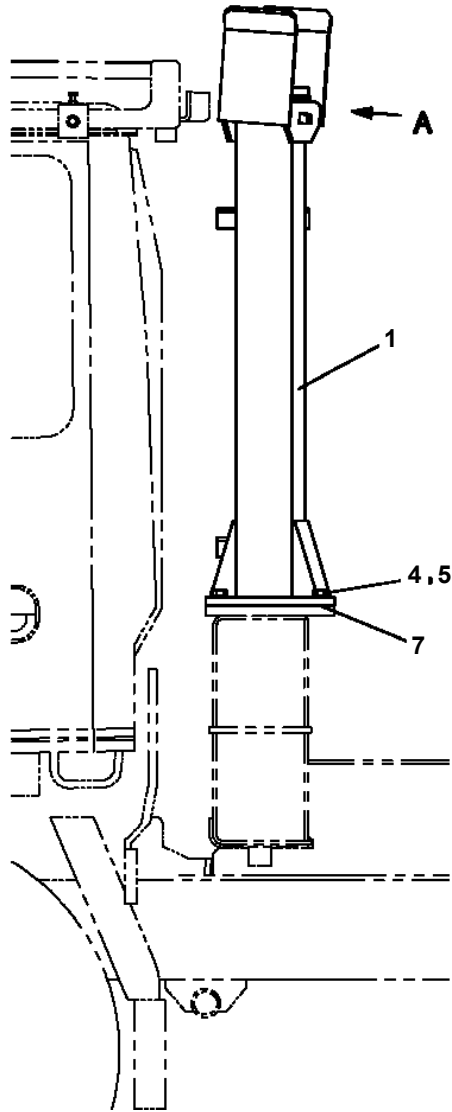
<p>注意 / アンテナ伸ばし過ぎ</p> <p>アンテナを伸ばし過ぎるとブームと干渉します。故障の原因となりますので注意してください。</p>

AT-146-1 42095130800 LOWER,HINO KK-XZU350E-TKMSS6
PW1030047-01 TOOLS



AT-146-1 42095130800 LOWER, HINO KK-XZU350E-TKMSS6
PX1120448-00 BOOM REST

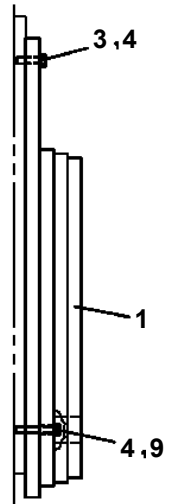
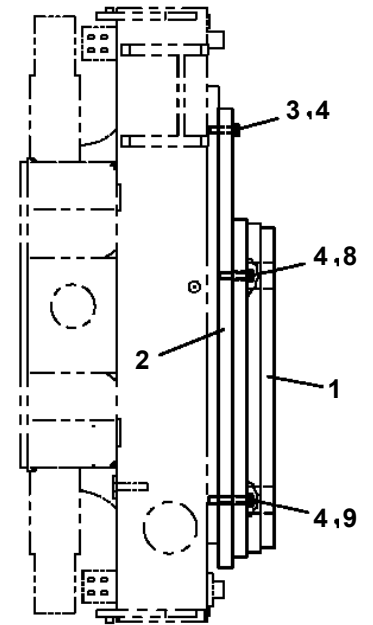
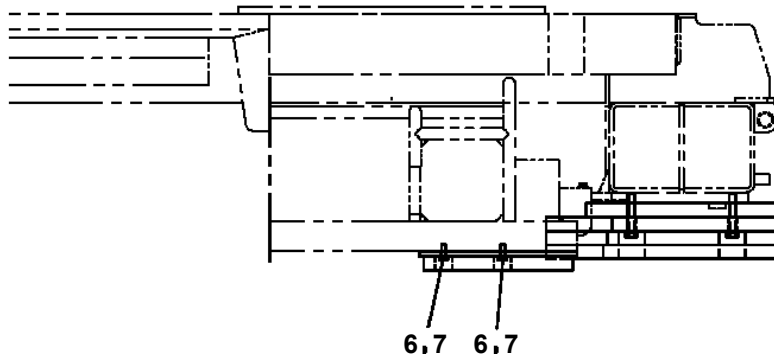
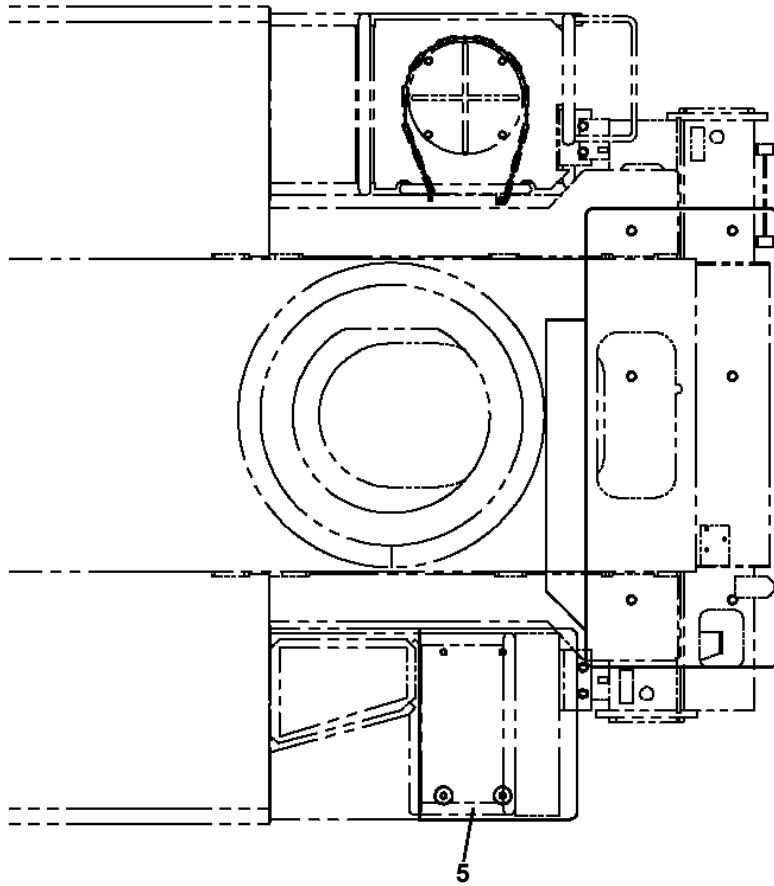
FRONT ←



A

AT-146-1 42095130800 LOWER, HINO KK-XZU350E-TKMSS6
PX1290351-01 WEIGHT

FRONT ←



AT-146-1 42095130800 LOWER,HINO KK-XZU350E-TKMSS6

Pos No.	Parts No	Parts Name	Qty	Unit	Technical Data	Serial No (Start)	Serial No (End)	Remarks	Pages
1	42833430800	BOX,TOOL	1						000048
2	90302041001	WASHER,SPRING	4		10				
3	90201201000	NUT	4		M10				
4	37000560120	PLATE	6		T=3.2				
5	90190110030	BOLT	4		M10X30				
6	37000559500	PLATE	2						

AT-146-1 42095130800 LOWER,HINO KK-XZU350E-TKMSS6

Pos No.	Parts No	Parts Name	Qty	Unit	Technical Data	Serial No (Start)	Serial No (End)	Remarks	Pages
1	42695741000	DECK	1						
2	91803600300	CLIP	1		D=22-30				
3	42695530100	SUPPORT	4						
4	89631303000	HOSE,VINYL	1		22X26,25,3M				
5	90101208020	BOLT	4		M8X20				
6	90190208025	BOLT	8		M8X25				
7	90302040801	WASHER,SPRING	13		8				
8	37000506550	PLATE	8		T=1.6				
9	37000563420	PLATE	4		T=3				
10	90101210030	BOLT	8		M10X30				
11	90302041001	WASHER,SPRING	8		10				
12	90303071001	WASHER,PLAIN	8		10				
13	90201201000	NUT	8		M10				
14	82401601002	CLAMP	1						
15	91810130240	FASTENER	1						
16	82100002016	CLAMP	2		WR25				
17	90101206020	BOLT	1		M6X20				
18	90302040601	WASHER,SPRING	1		6				
19	42695640100	STEP	1						
20	90201200600	NUT	1		M6				
21	90201200800	NUT	1		M8				

CLICK HERE TO **DOWNLOAD** THE COMPLETE MANUAL

- Thank you very much for reading the preview of the manual.
- You can download the complete manual from: www.heydownloads.com by clicking the link below



- Please note: If there is no response to CLICKING the link, please download this PDF first and then click on it.

CLICK HERE TO **DOWNLOAD** THE COMPLETE MANUAL