

AT-145-1 42043221300 LOWER,MITSUBISHI KC-FH217CD

PO1000131-03 INDICATION PLATES

PX2000252-00 CARRIER UNIT

PX3000168-00 MOUNTING UNIT

PY1000803-00 OPTIONS,1

ASSEMBLY

CLICK HERE TO **DOWNLOAD** THE COMPLETE MANUAL

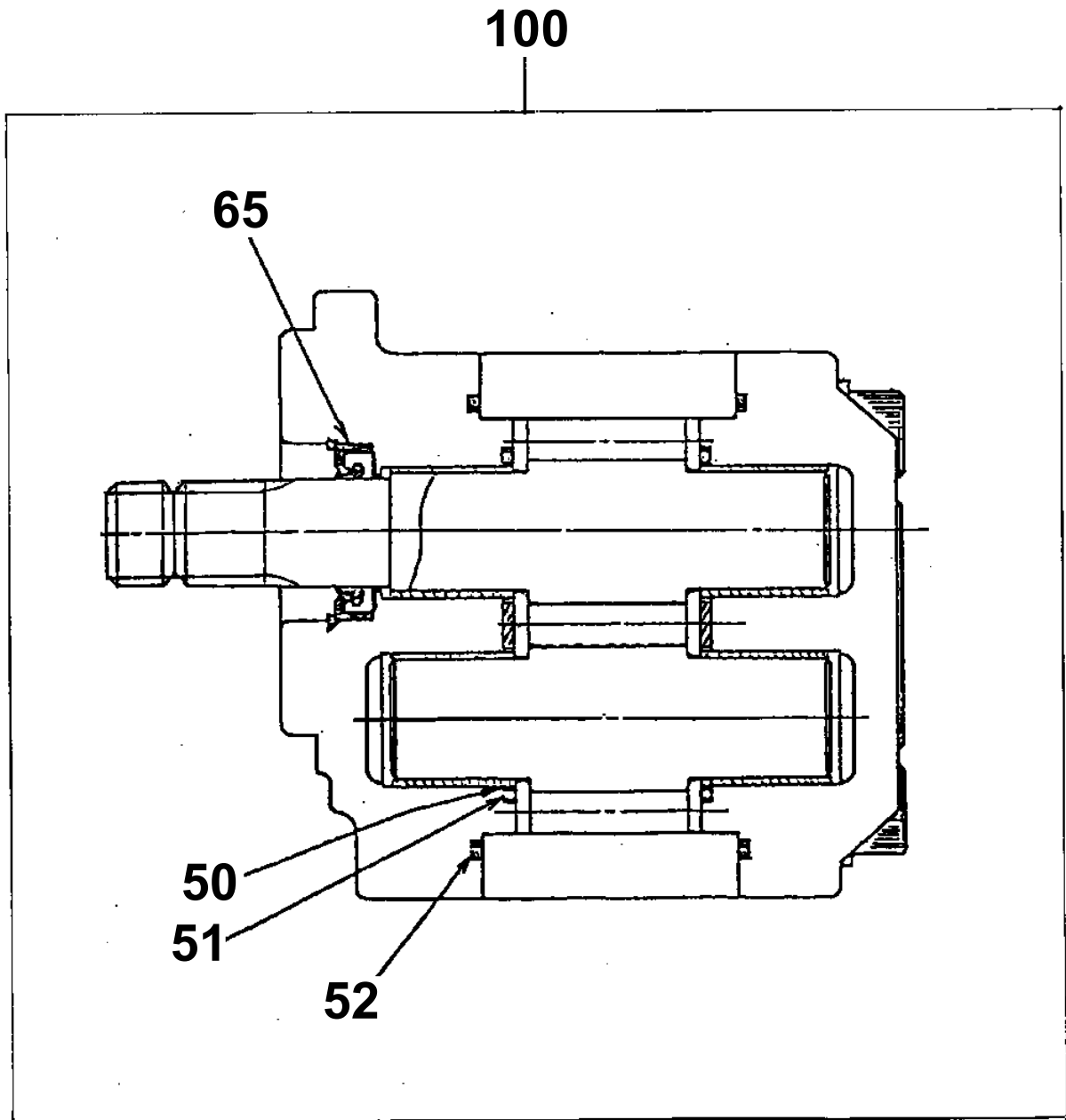
- Thank you very much for reading the preview of the manual.
- You can download the complete manual from: www.heydownloads.com by clicking the link below



- Please note: If there is no response to CLICKING the link, please download this PDF first and then click on it.

CLICK HERE TO **DOWNLOAD** THE COMPLETE MANUAL

AT-145-1 42043221300 LOWER, MITSUBISHI KC-FH217CD
PB1100278-00 PUMP, HYDRAULIC (SGP2-44D2H9-L)



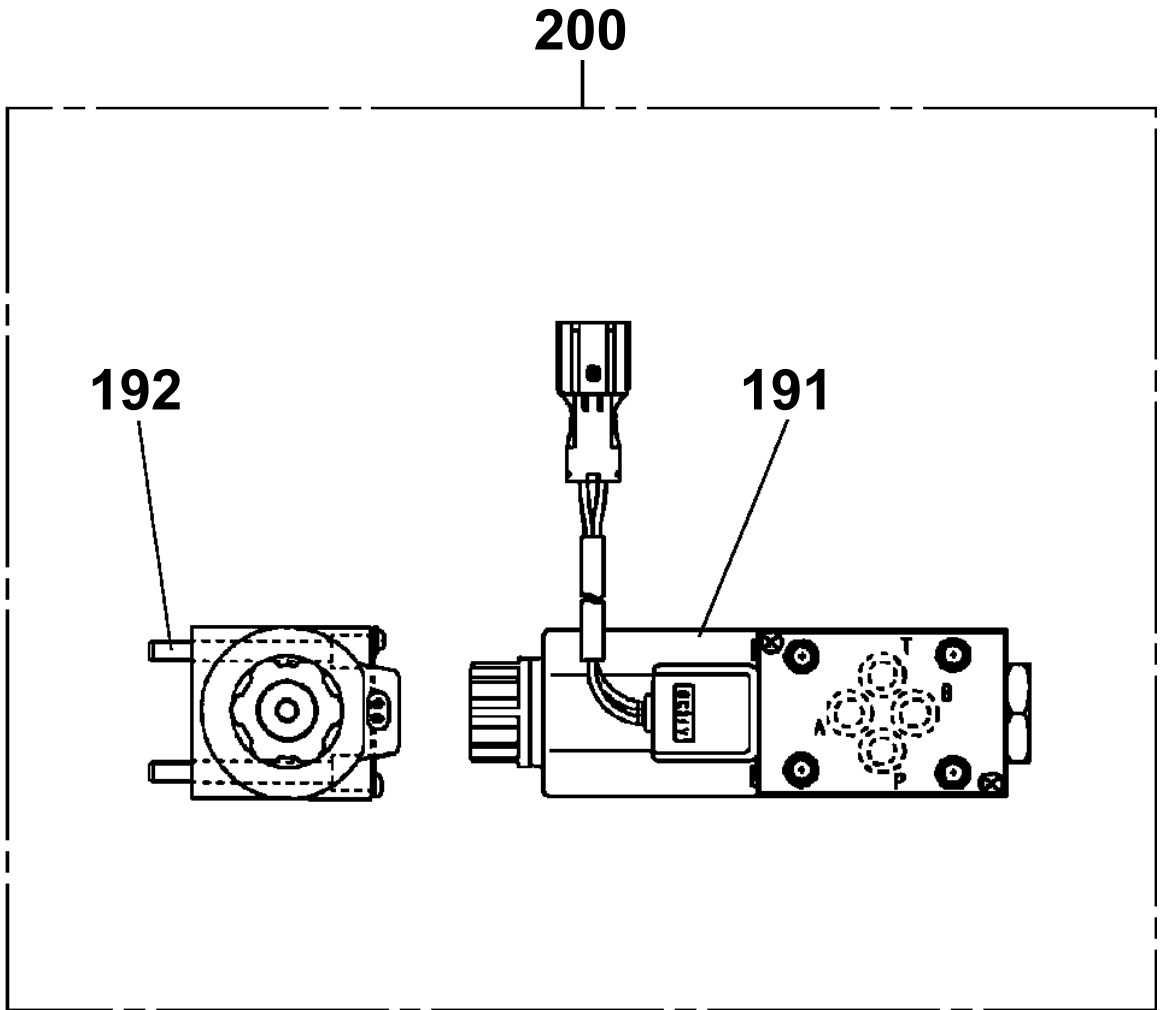
AT-145-1 42043221300 LOWER,MITSUBISHI KC-FH217CD

Pos No.	Parts No	Parts Name	Qty	Unit	Technical Data	Serial No (Start)
1	80305010120	FITTING,TEE	3		ZKTA15-000N	
3	90101208050	BOLT	2		M8X50	
4	90302040801	WASHER,SPRING	9		8	
5	42736620200	SUPPORT	1			
6	90131508012	BOLT,HEXAGON SOCKET <M8X12.	3			
7	42340013200	JOINT,SELF SEALING (WITH CAP)	1			
8	80456020610	JOINT,SELF SEALING	1			
9	42733682200	COVER ASSY	1			
10	81408000210	PIPE,STEEL	1	M	15X2.0T	
11	81408000210	PIPE,STEEL	1	M	15X2.0T	
12	37000711090	CLAMP ASSY	1		18X2	
13	37000300750	SLEEVE	2		18-15	
14	37000514590	PLATE	1			
15	80320010080	FITTING	1		KUD12-030N	
16	81408000210	PIPE,STEEL	1	M	15X2.0T	
17	42736050400	HARNESS	1			
18	42350250070	PLUG (2 POLES,MALE)	1			
19	80303130201	FITTING,ELBOW	1		KLO15-040E	
20	80302090201	FITTING	1		KCO15-040N	
21	81408000210	PIPE,STEEL	1	M	15X2.0T	
22	91002801800	O-RING	1		1B P18	
23	81408000210	PIPE,STEEL	1	M	15X2.0T	
24	81408000210	PIPE,STEEL	1	M	15X2.0T	
25	81408000210	PIPE,STEEL	1	M	15X2.0T	
26	81408000210	PIPE,STEEL	1	M	15X2.0T	
27	42736051000	BOOSTER	1			
28	80306010100	NUT	2		KKN12-000N	
	80306010105	NUT	2		KKN12-000E	226811
29	80309010100	SLEEVE	2			
	80309010105	SLEEVE	2		KK012-000E	226811
30	81408000210	PIPE,STEEL	1	M	15X2.0T	
31	81408000210	PIPE,STEEL	1	M	15X2.0T	
32	81408000160	PIPE,STEEL	1	M	12X1.4T	
33	80302090141	FITTING	1		KCO12-020N	
34	91002801100	O-RING	3		1B P11	
35	80305140120	FITTING,TEE	1		KTB12-00	
36	90101208016	BOLT	4		M8X16	
37	37002201980	PLATE,NAME	1			
38	42736050500	PLATE,NAME	1			
39	42736050510	PLATE,NAME	1			
40	91810132530	FASTENER	3			
43	(*****)	POWER SUPPLY (LOWER HYDRAULIC OUTLET SW)	1			
44	37000924700	JOINT	1			
45	80303130181	FITTING,ELBOW	1		KLO15-030E	
46	91002801400	O-RING	1		1B P14	
47	37000920740	JOINT	1			
48	80302090181	FITTING	1		KCO15-030N	
61	42736001200	FITTING,FLANGE	1			
62	36603710000	VALVE,RELIEF	1			
63	42733682401	VALVE,SOLENOID (WITH CONNECTOR)	1			
64	80303130201	FITTING,ELBOW	3		KLO15-040E	
66	90172106125	BOLT,HEXAGON SOCKET	4		M6X125	
67	80316070060	PLUG	1		PF3/8	
68	91002801400	O-RING	2		1B P14	
69	80316070040	PLUG	1		PF1/4	
70	91002801100	O-RING	1		1B P11	
71	37000925740	JOINT	1		S G1/2-G1/2	
81	42340017510	CAP (DUST)	1			
91	42733682210	COVER	1			
92	42733682240	COVER	1			
93	90201200300	NUT	12		M3	
94	80172303008	SCREW,MACHINE	4		M3X8	
95	90302040301	WASHER,SPRING	12		3	

AT-145-1 42043221300 LOWER,MITSUBISHI KC-FH217CD

Pos No.	Parts No	Parts Name	Qty	Unit	Technical Data	Serial No (Start)	Serial No (End)	Remarks	Pages
100	42736050400	HARNESS	1						

AT-145-1 42043221300 LOWER, MITSUBISHI KC-FH217CD
PI1120150-02 VALVE, SOLENOID



AT-145-1 42043221300 LOWER,MITSUBISHI KC-FH217CD

Pos No.	Parts No	Parts Name	Qty	Unit	Technical Data	Serial No (Start)	Serial No (End)	Remarks
1	36670105000	HEAD ASSY	1					
2	36672580000	FILTER,CARTRIDGE	1					
10	36670100000	FILTER,OIL (YAMASHIN)	1					

AT-145-1 42043221300 LOWER,MITSUBISHI KC-FH217CD

Pos No.	Parts No	Parts Name	Qty	Unit	Technical Data	Serial No (Start)	Serial No (End)	Remarks	Pages
2	36160017530	WASHER,SPRING	1				227370		
	36160017530	WASHER,SPRING	1				227370		
3	36160017540	WASHER,PLAIN	1				227370		
	36160017540	WASHER,PLAIN	1				227370		
4	36160655040	DRUM ASSY	1				227370		
	36160655040	DRUM ASSY	1				227370		
5	36160017550	HANDLE	1						
	36160017550	HANDLE	1						
6	36160655020	SHAFT	1						
	36160655020	SHAFT	1						
7	36160017560	WASHER,PLAIN	1						
	36160017560	WASHER,PLAIN	1						
8	36160655050	PLATE (RING)	1						
	36160655050	PLATE (RING)	1						
10	36160017590	PLATE (CONTACT)	1						
	36160017590	PLATE (CONTACT)	1						
50	36160650000	REEL,CORD	1						
	36160650000	REEL,CORD	1						

CLICK HERE TO **DOWNLOAD** THE COMPLETE MANUAL

- Thank you very much for reading the preview of the manual.
- You can download the complete manual from: www.heydownloads.com by clicking the link below



- Please note: If there is no response to CLICKING the link, please download this PDF first and then click on it.

CLICK HERE TO **DOWNLOAD** THE COMPLETE MANUAL

AT-145-1 42043221300 LOWER,MITSUBISHI KC-FH217CD

Pos No.	Parts No	Parts Name	Qty	Unit	Technical Data	Serial No (Start)	Serial No (End)	Rem
1	42460015010	BAG,TOOL	1					
2	91991510003	HEXAGON BARWRENCH (G3)	1					
3	91991510004	HEXAGON BARWRENCH (G4)	1					
4	91991510005	HEXAGON BARWRENCH (G5)	1					
5	91991510006	HEXAGON BARWRENCH (G6)	1					
6	91991510008	HEXAGON BARWRENCH (G8)	1					
7	91991510010	HEXAGON BARWRENCH (G10)	1					
8	91991310024	SPANNER	1		24			
50	42473401000	TOOLS	1					

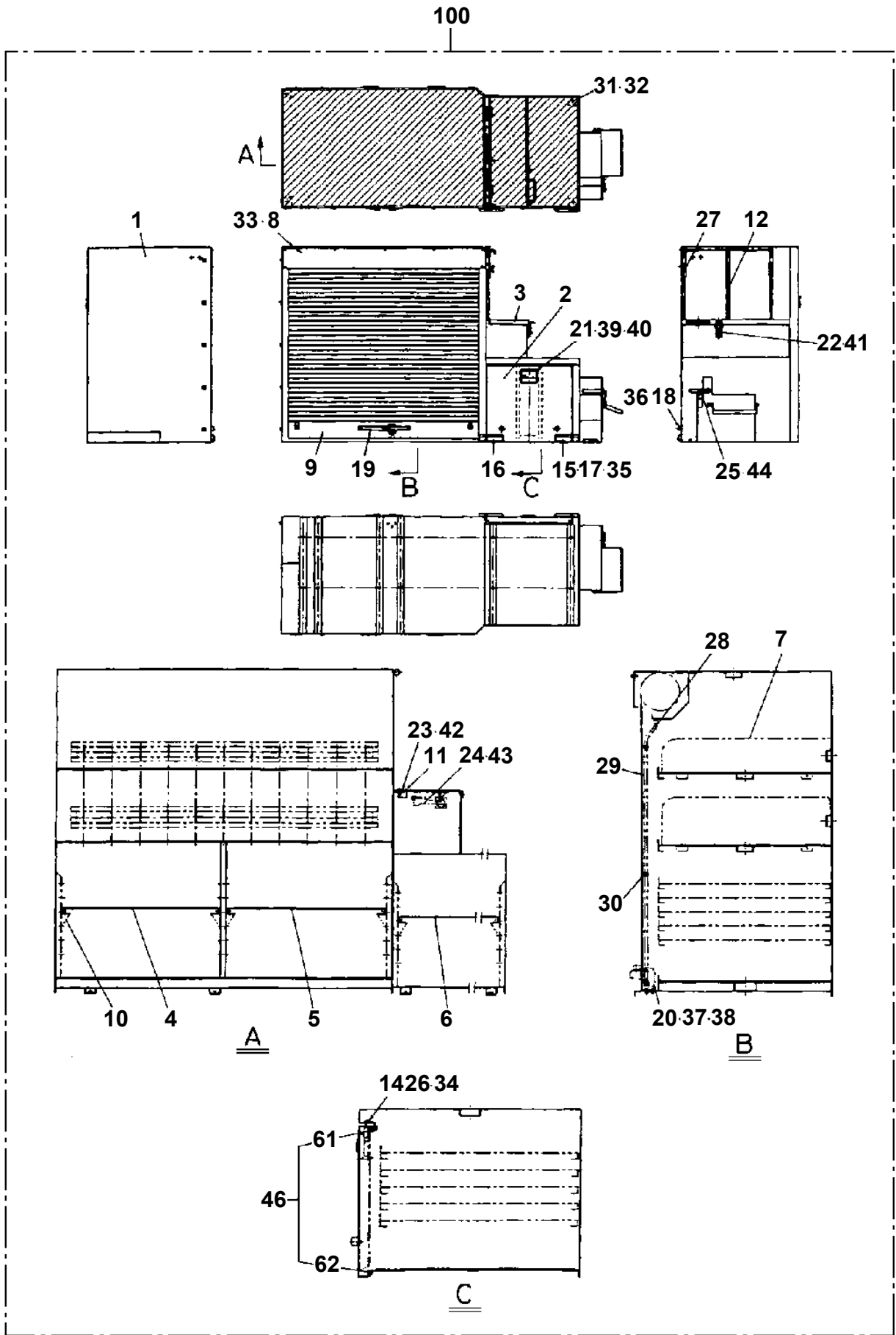
AT-145-1 42043221300 LOWER,MITSUBISHI KC-FH217CD

Pos No.	Parts No	Parts Name	Qty	Unit	Technical Data	Serial No (Start)	Serial No (End)	Remarks	Pages
1	42872630100	SUPPORT ASSY	1						
2	42872001100	CUSHION	1						
3	80182308016	SCREW,MACHINE	4		M8X16				
4	90302040801	WASHER,SPRING	4		8				

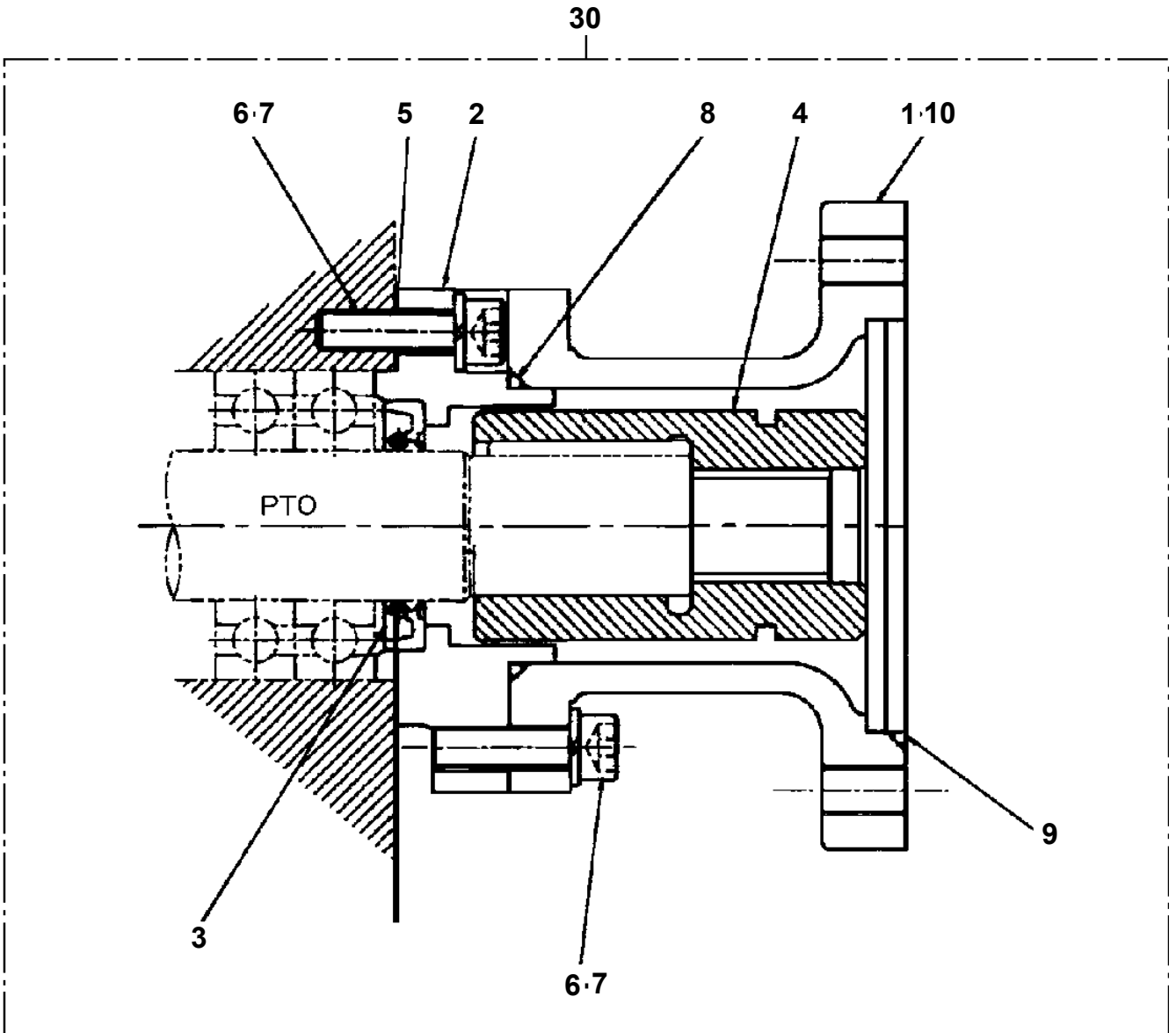
AT-145-1 42043221300 LOWER,MITSUBISHI KC-FH217CD

Pos No.	Parts No	Parts Name	Qty	Unit	Technical Data	Serial No (Start)	Serial No (End)	Remarks	Pages
1	42842570100	WEIGHT	1						
2	90101210022	BOLT	4		M10X22				
3	90302041001	WASHER,SPRING	4		10				
4	42842330010	WEIGHT	1						
5	42842330100	WEIGHT	1						
6	90101216120	BOLT	4		M16X120				
7	90302041601	WASHER,SPRING	4		16				
8	90303071601	WASHER,PLAIN	4		16				

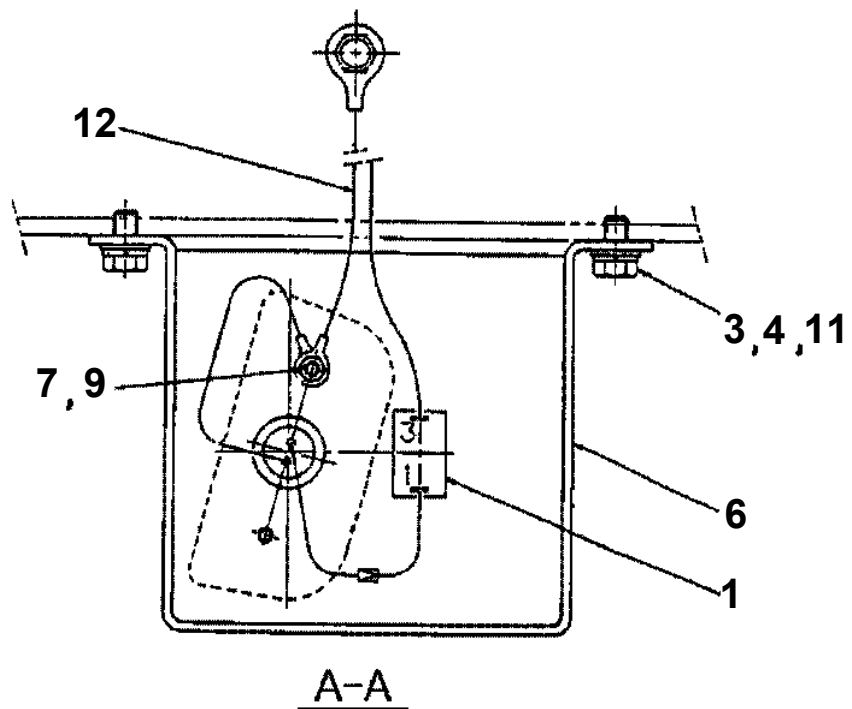
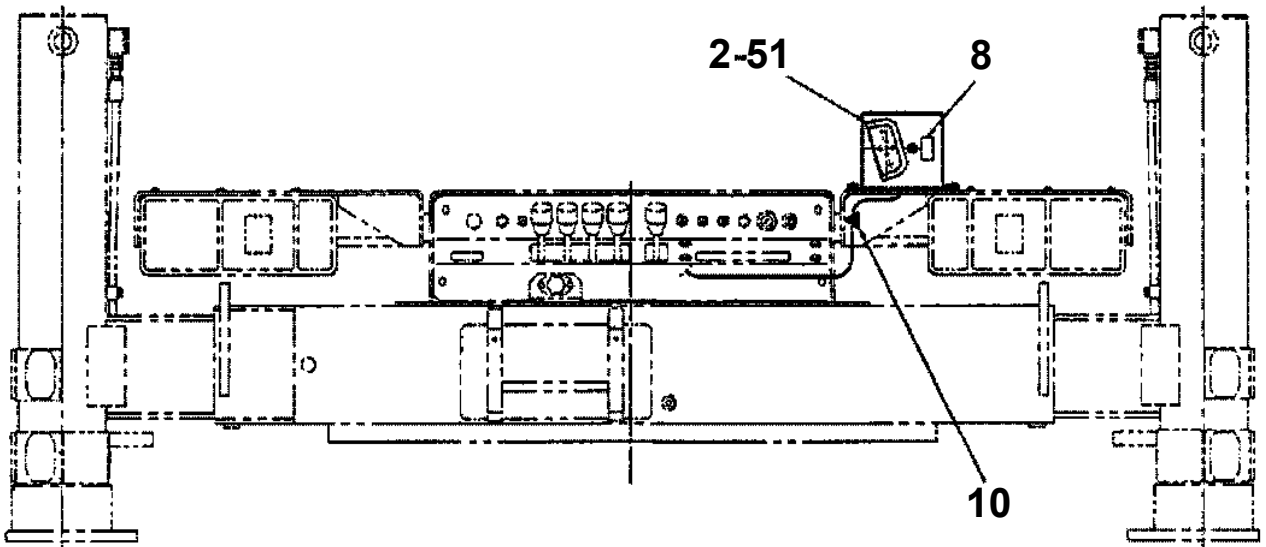
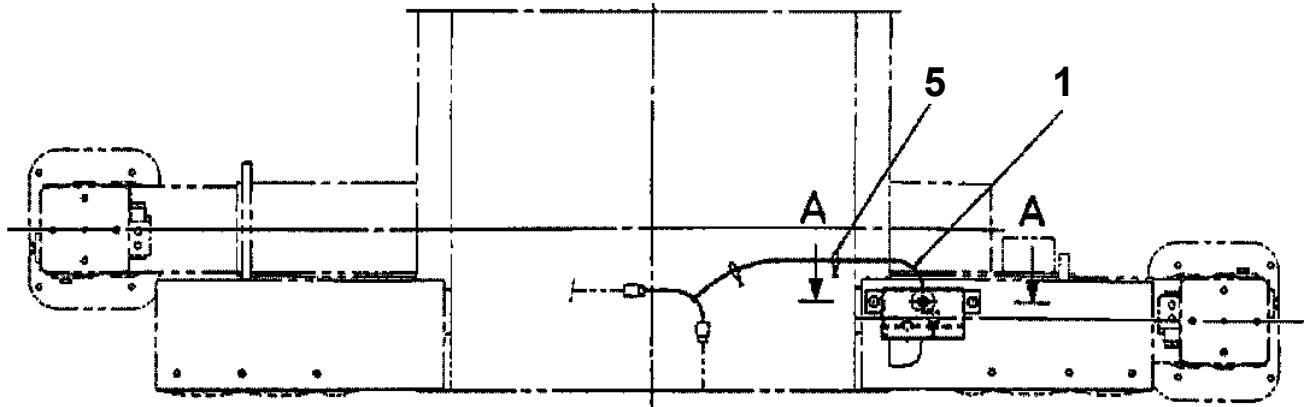
AT-145-1 42043221300 LOWER, MITSUBISHI KC-FH217CD
PX1350330-00 BOX, TOOL (LEFT)



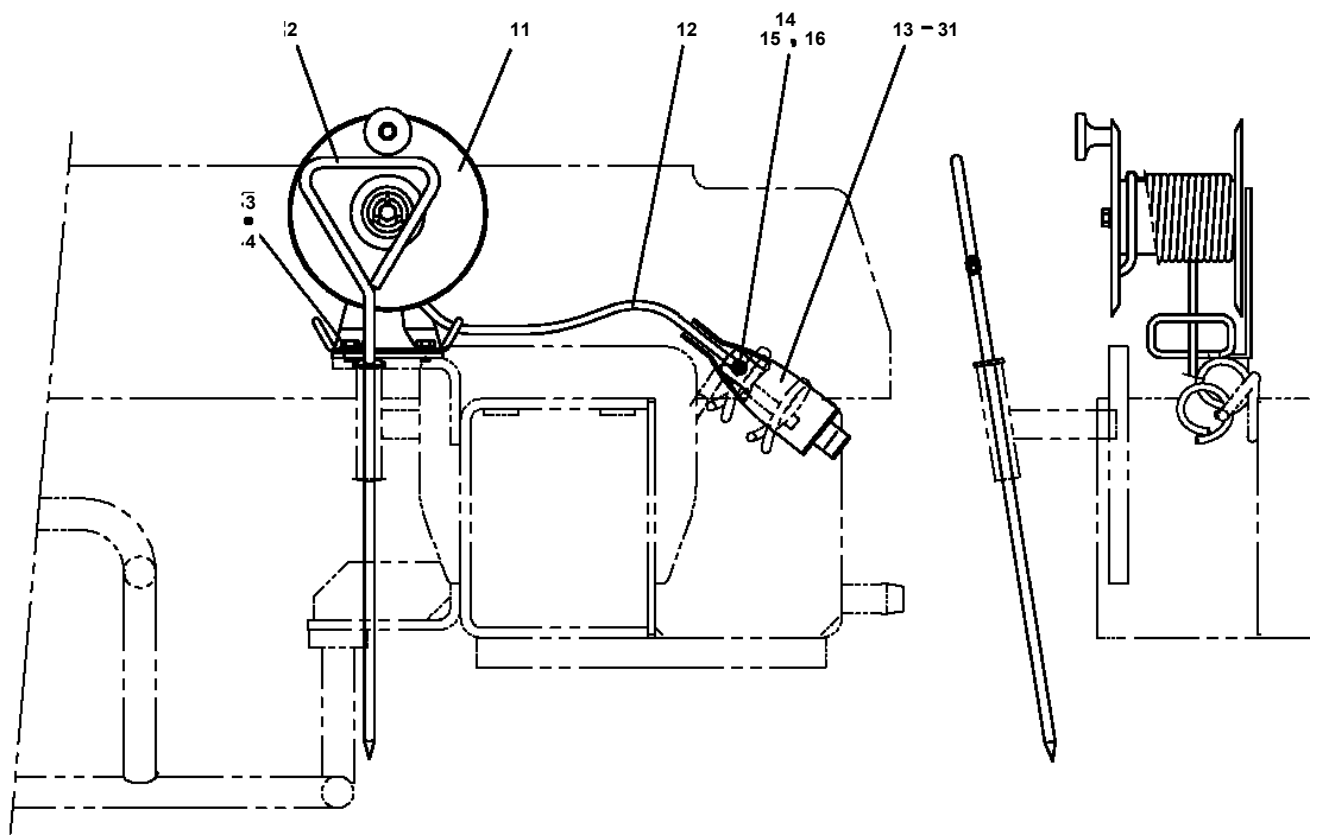
AT-145-1 42043221300 LOWER, MITSUBISHI KC-FH217CD
PX1830003-00 COUPLING



AT-145-1 42043221300 LOWER, MITSUBISHI KC-FH217CD
PY1180239-01 LAMP (OUTRIGGER)



**AT-145-1 42043221300 LOWER, MITSUBISHI KC-FH217CD
PY1650064-01 EARTHING DEVICE (CLIP TYPE 8X20M)**



CLICK HERE TO **DOWNLOAD** THE COMPLETE MANUAL

- Thank you very much for reading the preview of the manual.
- You can download the complete manual from: www.heydownloads.com by clicking the link below



- Please note: If there is no response to CLICKING the link, please download this PDF first and then click on it.

CLICK HERE TO **DOWNLOAD** THE COMPLETE MANUAL