

## **AT-141-1 42043100045 UPPER**

PD2000101-00 SWING UNIT

PG2000113-00 BOOM UNIT

PH1000545-00 SAFETY DEVICES (MOMENT LIMITER)

PJ3000361-00 BUCKET SYSTEM

PK2000428-00 FRAME UNIT

PO1000149-00 INDICATION PLATES

PY1000852-01 OPTIONS,2

PY1001559-00 OPTIONS,3

PY1001576-00 OPTIONS,1

ASSEMBLY

CLICK HERE TO **DOWNLOAD** THE COMPLETE MANUAL

- Thank you very much for reading the preview of the manual.
- You can download the complete manual from: [www.heydownloads.com](http://www.heydownloads.com) by clicking the link below



- Please note: If there is no response to CLICKING the link, please download this PDF first and then click on it.

CLICK HERE TO **DOWNLOAD** THE COMPLETE MANUAL

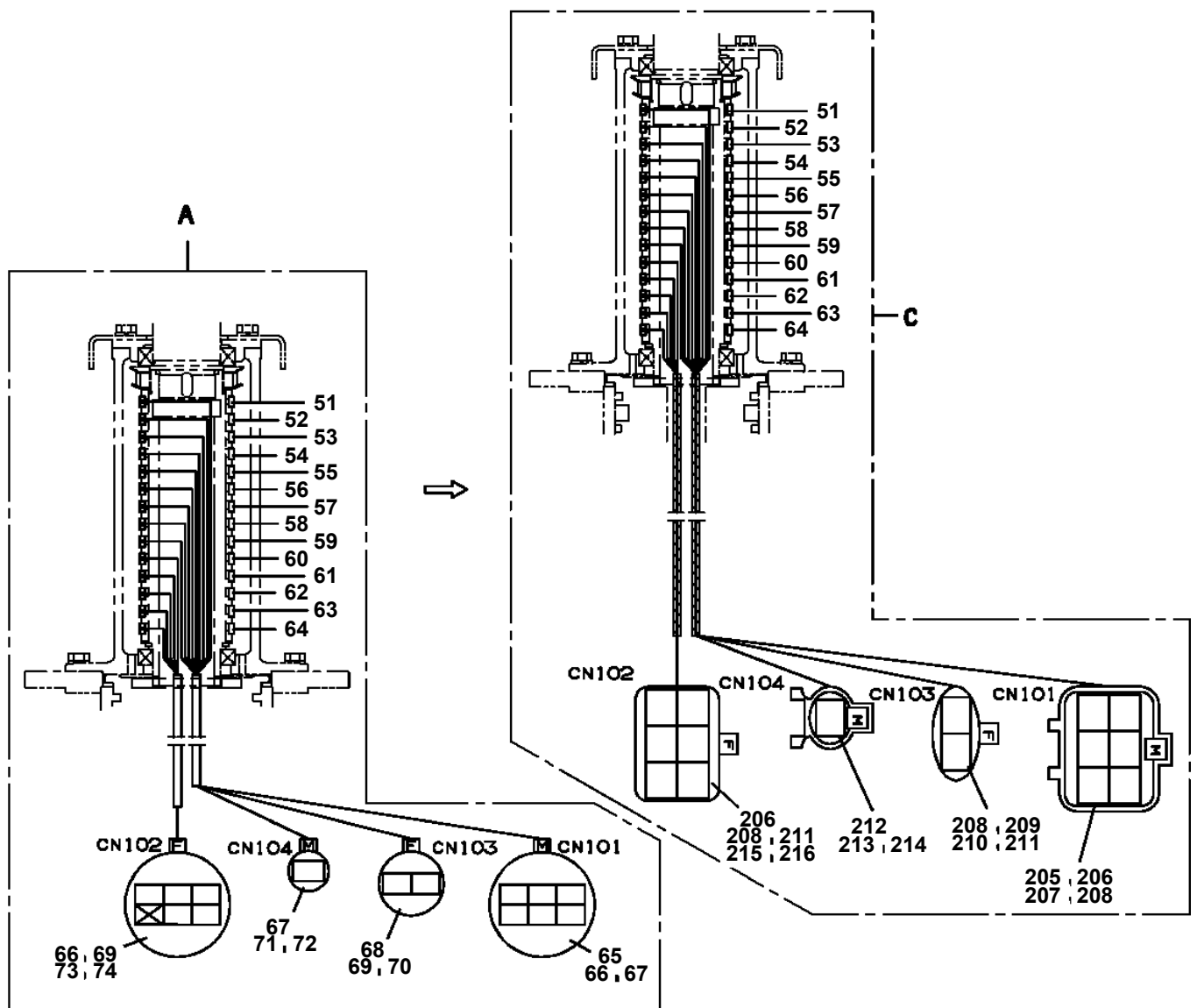
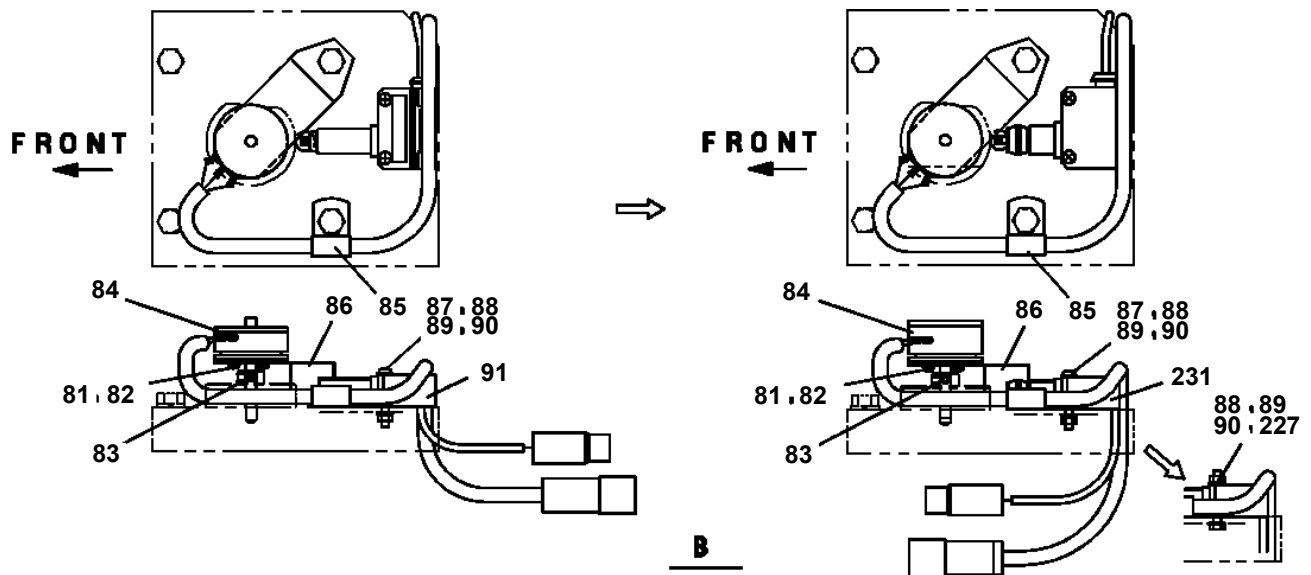
# AT-141-1 42043100045 UPPER

Pos No.	Parts No	Parts Name	Qty	Unit	Technical Data	Serial No (Start)	Serial N
1	(*****)	FRAME	1				
2	(*****)	OUTRIGGER (FRONT)	1				
3	(*****)	OUTRIGGER (REAR)	1				
4	(*****)	PIPING,LOWER (FRAME)	1				
5	(*****)	OPE.ASSY,OUTRIGGER	1				
6	(*****)	ELEC.ASSY (SUB FRAME)	1				
7	(*****)	TANK,OIL (SUPPORT)	1				
8	(*****)	POWER SUPPLY (MOUNT,EMERGENCY PUMP)	1				

## **AT-141-1 42043100045 UPPER**

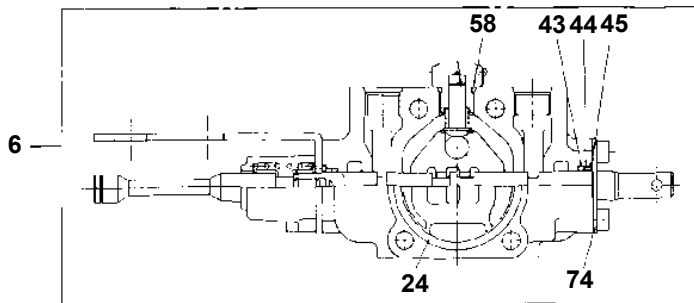
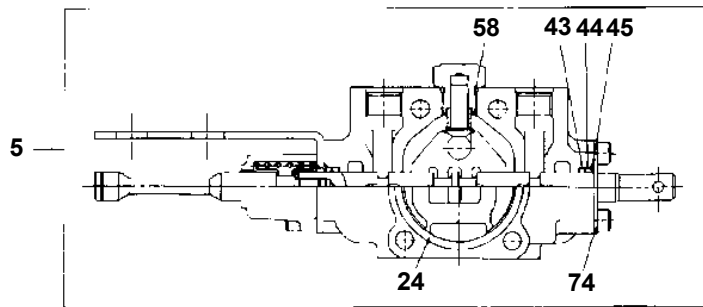
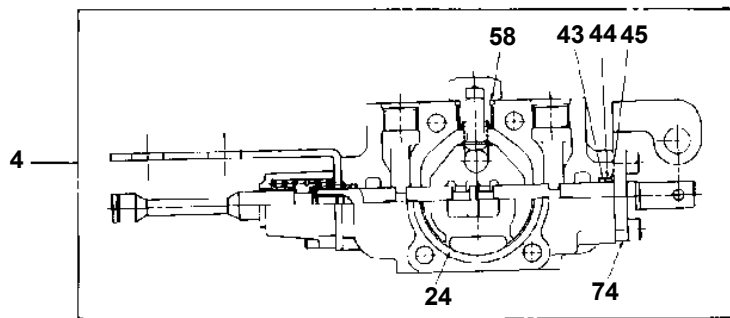
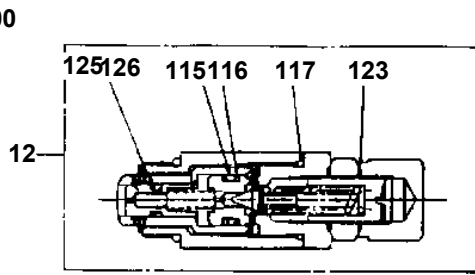
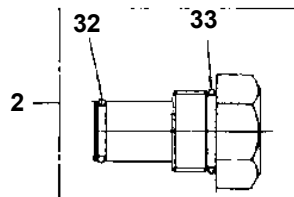
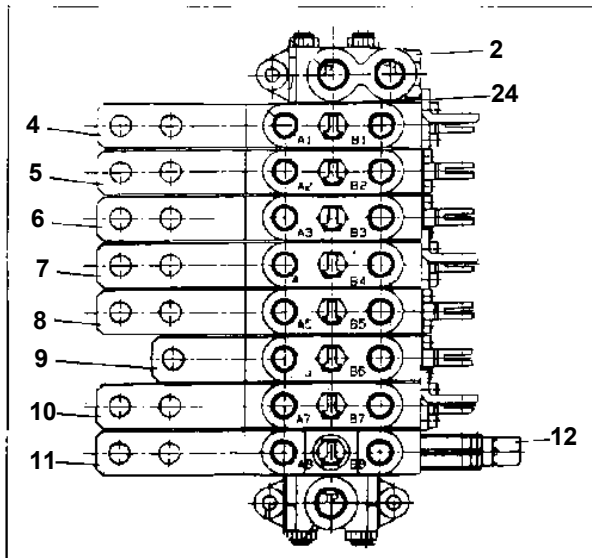
PB1100101-02 PUMP,HYDRAULIC (EMERGENCY)  
PB1130079-01 TANK,OIL (SUPPORT)  
PB1130132-04 TANK,OIL  
PB1300106-05 JOINT,ROTARY  
PB1320001-00 VALVE,MANUAL CONTROL  
PB1320209-03 VALVE,MANUAL CONTROL (OUTRIGGER)  
PB1320282-00 VALVE,MANUAL CONTROL (BUCKET)  
PB1320297-00 VALVE,MANUAL CONTROL  
PB1380024-02 POWER SUPPLY (MOUNT,EMERGENCY PUMP)  
PB1400113-05 PIPING,HYDRAULIC UPPER  
PB1400398-00 PIPING,UPPER  
PB1410693-01 PIPING,LOWER (FRAME)  
PC1010464-01 OUTRIGGER (FRONT)  
PC1010465-02 OUTRIGGER (REAR)  
PC1030032-04 CYLINDER,JACK  
PC1050069-01 CYLINDER,EXTENSION (FRONT)  
PC1050071-02 CYLINDER,EXTENSION (REAR)  
PC1100091-04 OPE.ASSY,OUTRIGGER  
PC1190004-01 INDICATOR,OUTRIGGER  
PC1190016-00 INDICATOR,OUTRIGGER  
PD1010048-01 REDUCER,SWING SPEED  
PD1010049-00 REDUCER,SWING SPEED  
PD1010105-01 REDUCER,SWING SPEED  
PD1010106-01 REDUCER,SWING SPEED  
PE1010146-00 CYLINDER,ELEVATING  
PE1010154-01 CYLINDER,ELEVATING  
PE1050007-04 CYLINDER,LEVELING (UPPER)  
PE1050009-06 CYLINDER,LEVELING (LOWER)  
PF1010091-01 WINCH (1-PART LINE)  
PF1050152-00 HOOK (1-PART LINE)  
PF1200146-02 PIPING,WINCH (POWER JIB)  
PF1350013-02 WINCH,JIB (FRP)  
PF1350016-03 WINCH,JIB (SUPPORT. POWER JIB)  
PF1350017-02 WINCH,JIB (FRP.INSULATION)  
PF1350052-01 WINCH,JIB (YELLOW)  
PF1350096-00 WINCH,JIB  
PF1360002-03 CYLINDER,WINCH JIB (POWER)  
PF1400222-00 MOUNT,WINCH (MANUAL JIB)  
PG1010243-03 BOOM  
PG1050148-04 CYLINDER,TELESCOPING  
PG1120065-02 DETECTOR SYSTEM, BOOM LENGTH  
PG1130062-00 DETECTOR,BOOM LENGTH  
PG1200070-04 PIPING,TELESCOPING  
PG1410018-01 COVER,BOOM  
PH1250022-00 MOMENT LIMITER (AML-AV-2)  
PH5031064-00 HARNESS  
PH5031797-00 HARNESS  
PH5032349-00 HARNESS  
PH5032351-00 HARNESS  
PH5032820-00 HARNESS  
PH5032826-00 HARNESS  
PI1010001-00 MOTOR,HYDRAULIC  
PI1010063-02 MOTOR,HYDRAULIC (POWER JIB SWING)  
PI1010079-00 MOTOR,HYDRAULIC  
PI1010098-00 MOTOR,HYDRAULIC  
PI1010135-00 MOTOR,HYDRAULIC (WINCH)  
PI1050002-00 RESERVOIR,OIL  
PI1100007-00 VALVE,RELIEF  
PI1120031-00 VALVE,SOLENOID  
PI1120096-00 VALVE,SOLENOID  
PI1120097-00 VALVE,SOLENOID  
PI1140002-00 VALVE,CHECK  
PI1140003-01 VALVE,CHECK  
PI1140061-00 VALVE,CHECK

**AT-141-1 42043100045 UPPER  
PB1300106-05 JOINT, ROTARY**



**AT-141-1 42043100045 UPPER**  
**PB1320282-00 VALVE, MANUAL CONTROL (BUCKET)**

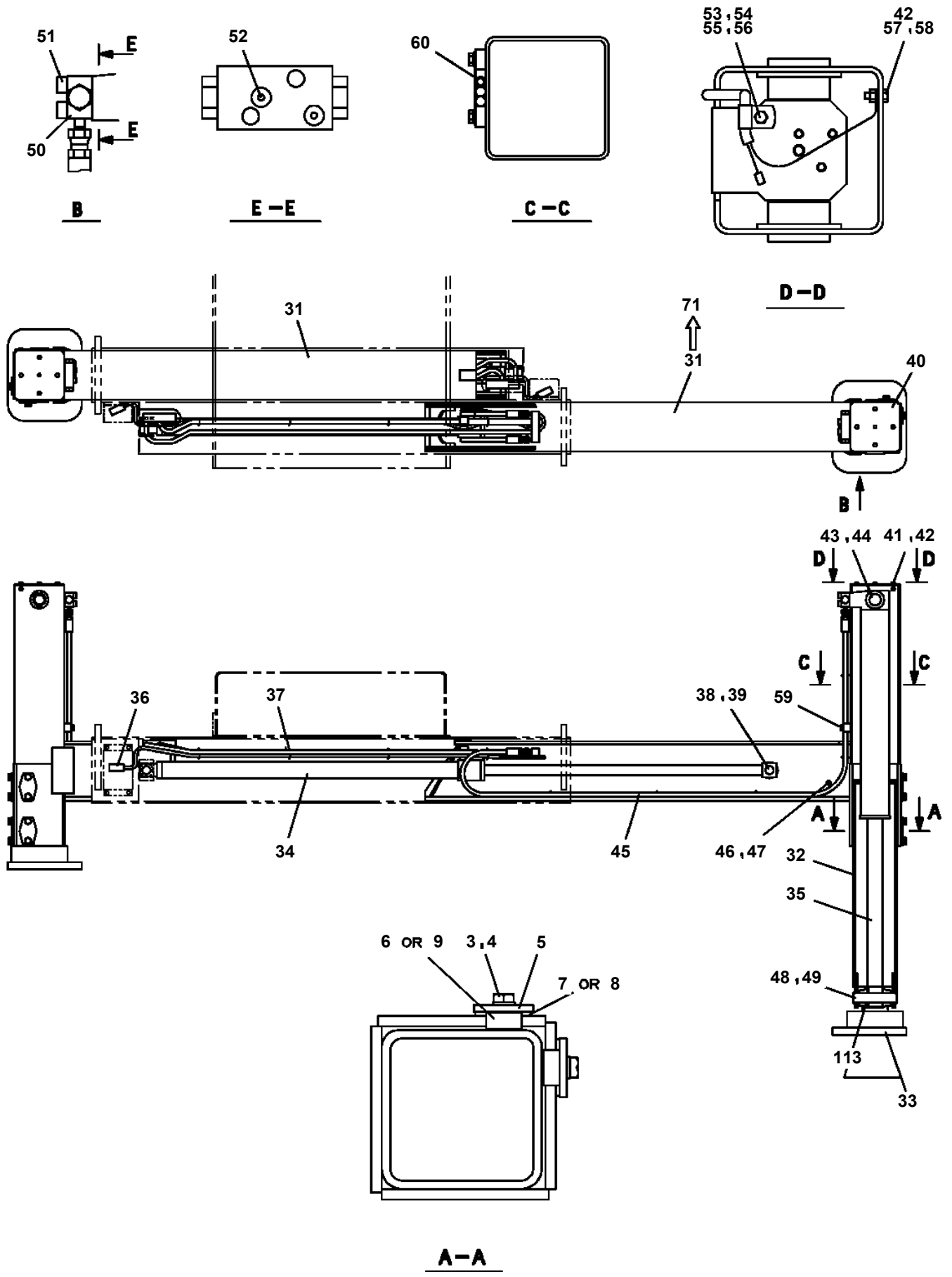
Assembly Drawing VALVE, MANUAL CONTROL (BUCKET)



**AT-141-1 42043100045 UPPER**

Pos No.	Parts No	Parts Name	Qty	Unit	Technical Data	Serial No (Start)	Serial No (End)	Remark
109	80400160130	JOINT	1		S,G1/2-G3/8			
110	37000906450	JOINT	1					
112	37000908720	JOINT (WITH O-RING)	2		PF1/2-PF3/8			
121	80400160103	FITTING	1		20368-U3/8X1/4			
122	80315020040	JOINT,BUSHING	1					
124	80430470850	JOINT	2					
125	80430450850	JOINT	1					
126	80430470450	JOINT	1					
127	80316030080	PLUG	1		PT1/2			
134	36641500000	VALVE,SOLENOID	1					
145	91002801100	O-RING	3		1B P11			
152	90101208060	BOLT	3		M8X60			
153	90302040801	WASHER,SPRING	3		8			
161	37002417030	HOSE	1		L=950			

**AT-141-1 42043100045 UPPER  
PC1010465-02 OUTRIGGER (REAR)**



# AT-141-1 4204310045 UPPER

Pos No.	Parts No	Parts Name	Qty	Unit	Technical Data	Serial No (Start)	Serial No (End)
1	42700430500	LINK	1				
2	42700430600	LINK	2				
3	42700430700	LINK	2				
5	90101208014	BOLT	4		M8X14		
6	90302040801	WASHER,SPRING	8		8		
7	37000105610	PIN	20		L=18		
9	80136320015	PIN,SPLIT	20		2X15		
10	90101208025	BOLT	4		M8X25		
11	36634190000	VALVE,MANUAL CONTROL (OUTRIGGER)	1				
12	32700007000	LEVEL ASSY	1				226167
	32700007500	LEVEL	1			226168	
13	31320020010	KNOB (BLACK)	4				
14	31320020020	KNOB (RED)	1				
15	42700010010	LINK	4				
16	42700430400	LINK	1				
17	80456950401	JOINT,SELF SEALING (COUPLER)	1			226631	
21	42700431100	SUPPORT	1				227069
	42700431300	SUPPORT	1			227070	
22	37000145850	PIN	1				227069
	37000177390	PIN	1			227070	
23	90101208012	BOLT	1		M8X12		
24	90302040801	WASHER,SPRING	1		8		
25	42700431200	LEVER	5				
26	37000307240	SPACER	1		L=21		
31	32700007100	COVER	1				226167
32	82400000303	LEVEL	1				226167
33	32700007200	SUPPORT	1				226167
34	90201200500	NUT	6		M5		226167
35	80183306016	SCREW,MACHINE	1		M6X16		226167
36	90302040601	WASHER,SPRING	1		6		226167
37	90303070601	WASHER,PLAIN	1		6		226167

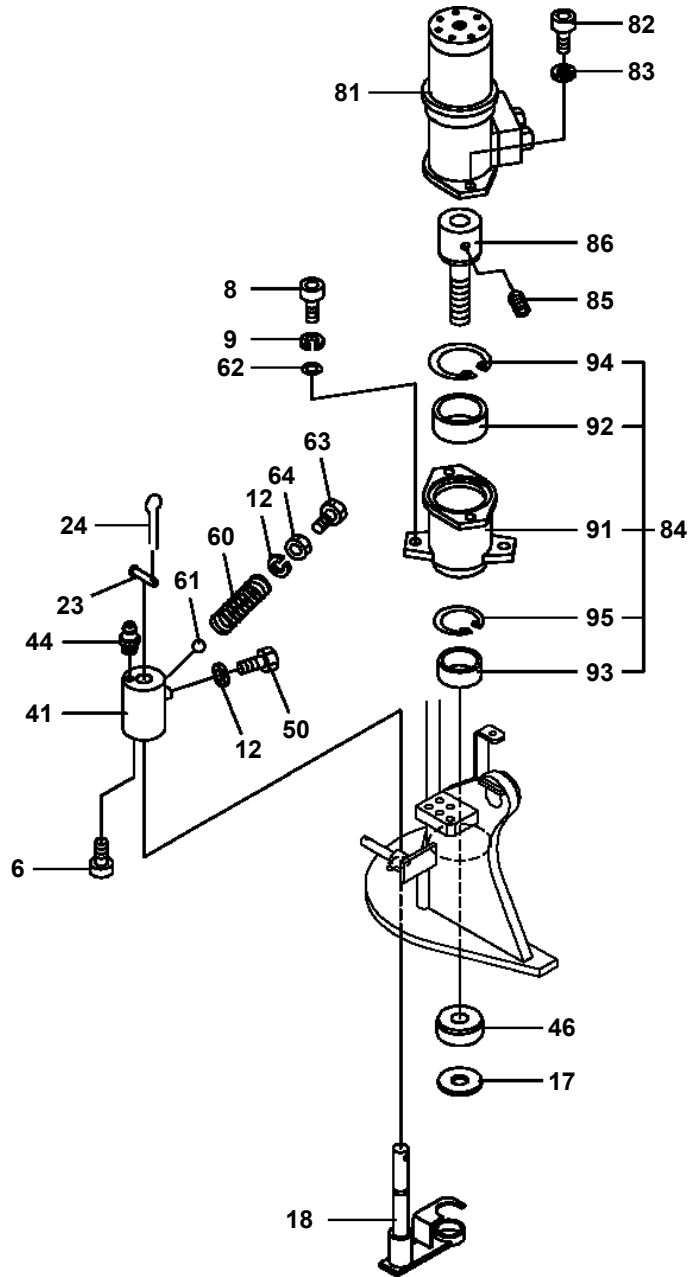
# AT-141-1 42043100045 UPPER

Pos No.	Parts No	Parts Name	Qty	Unit	Technical Data	Serial No (Start)	Serial No (End)
2	36080900000	REDUCER,SWING SPEED	1				
3	90171116065	BOLT	3		M16X65		
4	90303071601	WASHER,PLAIN	3		16		
5	90201781600	NUT	3		M6		
6	90302041601	WASHER,SPRING	3		16		
7	90710012400	SCREW,SET	2		M12X40		
8	90203201200	NUT	2		M12		
9	90172112030	BOLT,HEXAGON SOCKET	4		M12X30		
10	36660360000	MOTOR,HYDRAULIC	1				
31	37002302450	BEARING,SWING (NSK)	1				
32	37002303560	BEARING,SWING (NIHON MONORACE)	1				
	37002304750	BEARING,SWING (KOYO)	1				
41	37002399010	SEAL (UP,DOWN-SIDE SET)	1				
42	82456201000	NIPPLE,GREASE	6		A-TYPE PT1/8		

# AT-141-1 4204310045 UPPER

Pos No.	Parts No	Parts Name	Qty	Unit	Technical Data	Serial No (Start)	Serial No (End)	Rem
3	91001101800	O-RING	1		1A P18			
4	91684007501	PACKING	2					
5	91411206201	RING,BACKUP	2					
6	91300007500	BEARING,PLAIN	1					
7	36021135030	PISTON	1					
8	90302042001	WASHER,SPRING	1		20			
9	90209702001	NUT	1		M20X2			
10	80820003020	BEARING,PLAIN	2					
12	80612110400	RING,RITAINING	1		AR40			
13	80801003525	BEARING,PLAIN	1					
14	91001207000	O-RING	1		1A G70			
15	91411107000	RING,BACKUP	1		P70			
17	91694003500	PACKING	1					
18	91410203501	RING,BACKUP	1					
20	91660003500	SEAL,DUST	1					
21	80622000350	RING,RITAINING	1		SP35			
22	91001003500	O-RING	1		S35			
23	36020905040	COVER (GAUGE)	1					
24	91001206500	O-RING	1		1A G65			
25	36020615050	BEARING,SPHERICAL	1					
26	82456101000	NIPPLE,GREASE	1		A-PT1/8			
27	82458101000	NIPPLE,GREASE	1		B-PT1/8			
31	36021135041	CYLINDER ASSY	1					
32	36021139510	ROD ASSY	1					
33	36021135050	COVER,ROD	1					
37	82100001411	TUBE,SPIRAL	1	M	SE-08BK			
43	42360120030	CONNECTOR	1					
61	82100002132	CONNECTOR	1					
91	36021139900	PACKING SET	1		35X75			
100	36021139520	CYLINDER,LEVELING (LOWER)	1					

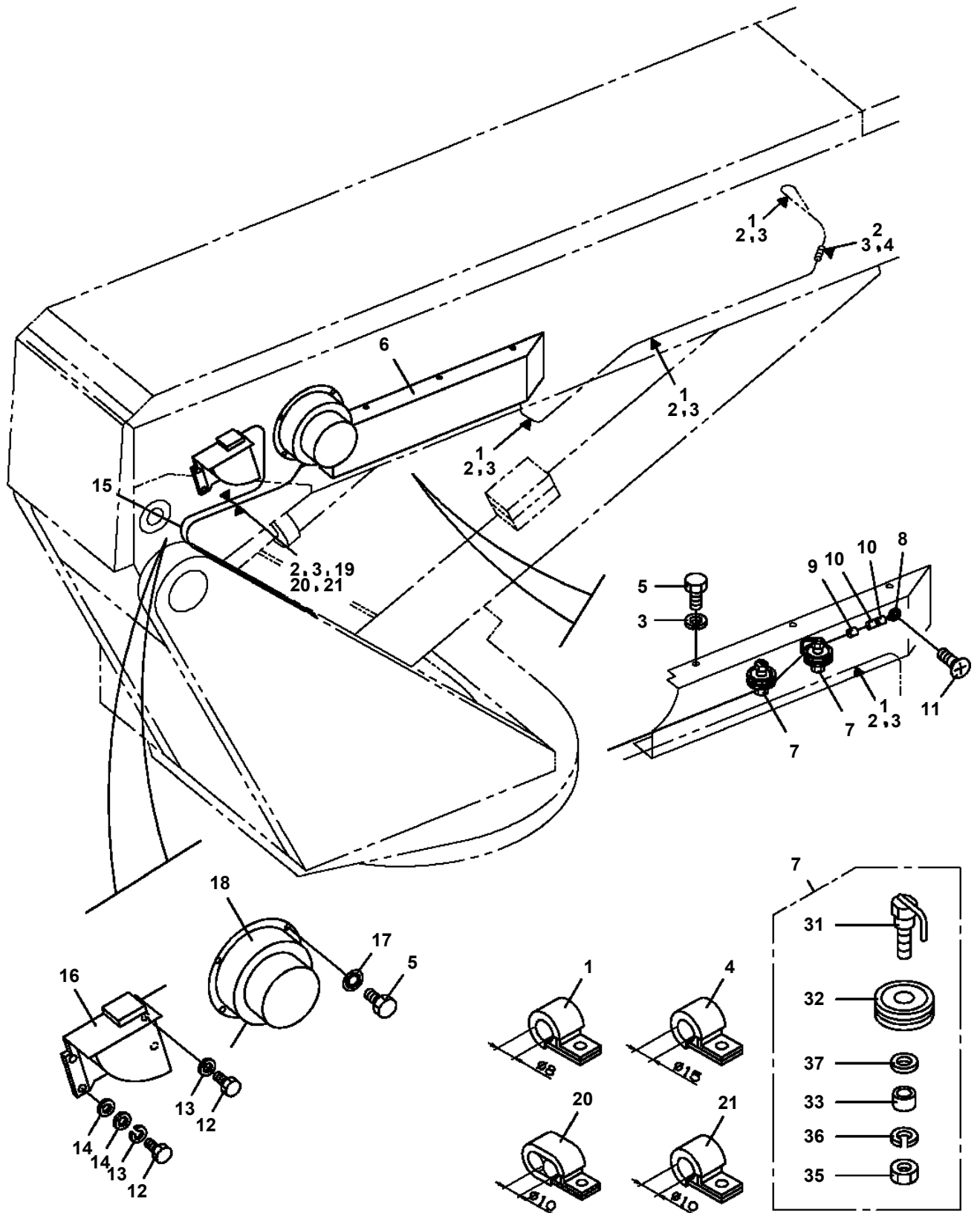
**AT-141-1 42043100045 UPPER  
PF1350016-03 WINCH,JIB (SUPPORT. POWER JIB)**



# AT-141-1 42043100045 UPPER

Pos No.	Parts No	Parts Name	Qty	Unit	Technical Data	Serial No (Start)	Serial No (End)
1	36051099510	CYLINDER	1				
2	90267402000	NUT	1				
3	36051091500	PISTON	1				
4	80612110400	RING,RITAINING	1		AR40		
5	80801003020	BEARING,PLAIN	4				
6	91350207000	BEARING,PLAIN (WITH PACKINGX2)	1				
7	36051099520	ROD	1				
8	36051099530	COVER,ROD	1				
9	91002906500	O-RING	1		1B G65		
10	91694003500	PACKING	1				
11	91410203501	RING,BACKUP	1				
12	91660003501	SEAL,DUST	1				
13	90302042001	WASHER,SPRING	1		20		
14	91002801800	O-RING	1		1B P18		
16	80801003520	BEARING,PLAIN	1				
17	80316030020	PLUG	2		PT1/8		226758
18	82456201000	NIPPLE,GREASE	1		A-TYPE PT1/8		
30	36051099900	PACKING SET	1		35X70		
50	36051090000	CYLINDER,WINCH JIB (POWER)	1				

**AT-141-1 42043100045 UPPER  
PG1120065-02 DETECTOR SYSTEM, BOOM LENGTH**



# AT-141-1 42043100045 UPPER

Pos No.	Parts No	Parts Name	Qty	Unit	Technical Data	Serial No (Start)	Serial No (End)	Remarks	Pages
1	42341260501	COVER ASSY	1						
2	42341870101	COVER	1						
3	42341870201	COVER	1						
4	42341870300	COVER	1						
5	90101208012	BOLT	26		M8X12				
6	90302040801	WASHER,SPRING	26		8				
7	90303070801	WASHER,PLAIN	26		8				
21	82100000952	GROMMET	2						
32	42341260560	BLADE	1						
34	90101208016	BOLT	5		M8X16				
35	90201200800	NUT	5		M8				
36	90302040801	WASHER,SPRING	5		8				
41	42341262100	COVER	1						
43	37000562640	PLATE	1						

# AT-141-1 42043100045 UPPER

Pos No.	Parts No	Parts Name	Qty	Unit	Technical Data	Serial No (Start)	Serial No (End)	Remarks	Pages
100	42736991010	HARNESS	1						

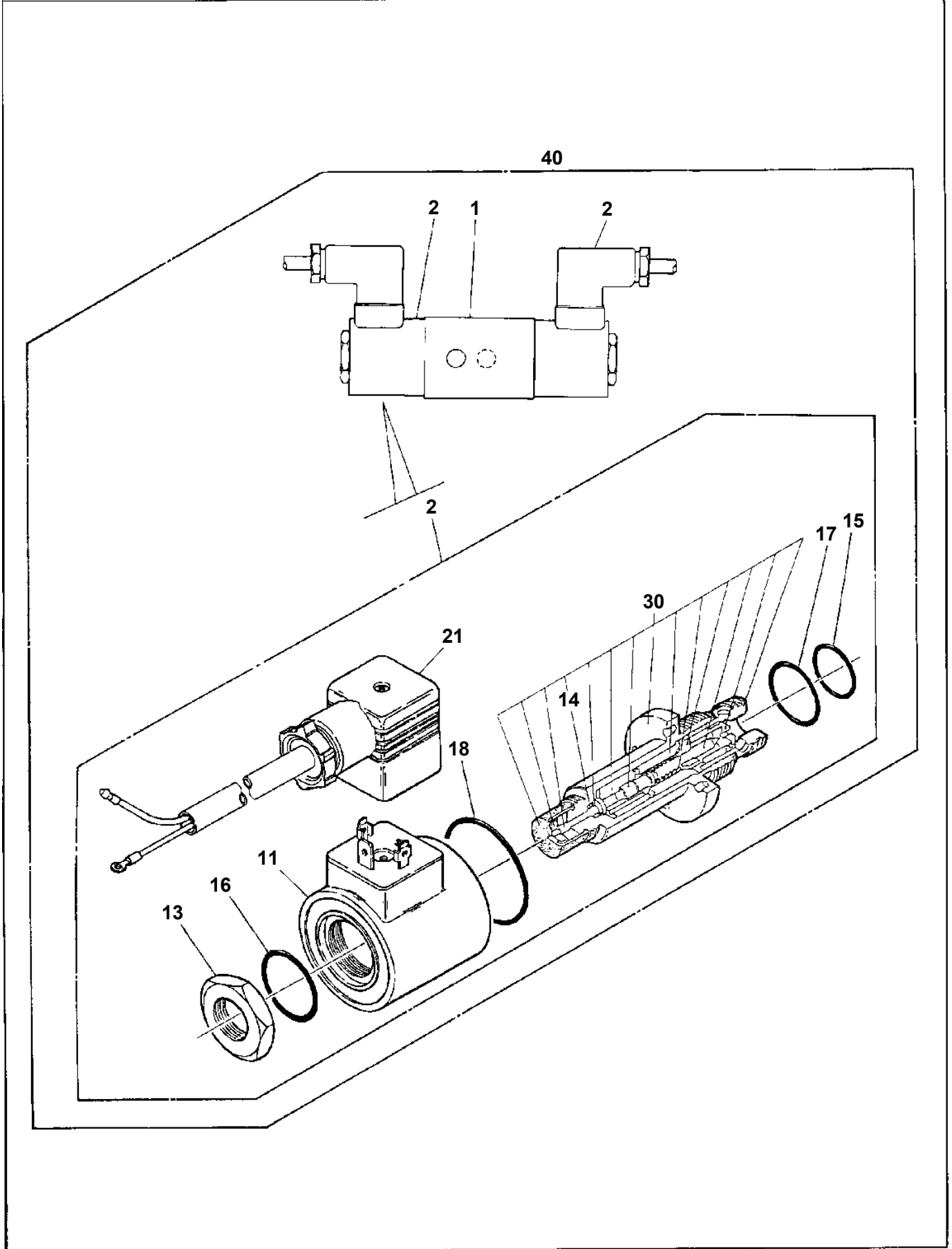
# AT-141-1 42043100045 UPPER

Pos No.	Parts No	Parts Name	Qty	Unit	Technical Data	Serial No (Start)	Serial No (End)	Remarks	Page
1	36661655010	SEAL KIT	1						
10	36661650000	MOTOR, HYDRAULIC	1						

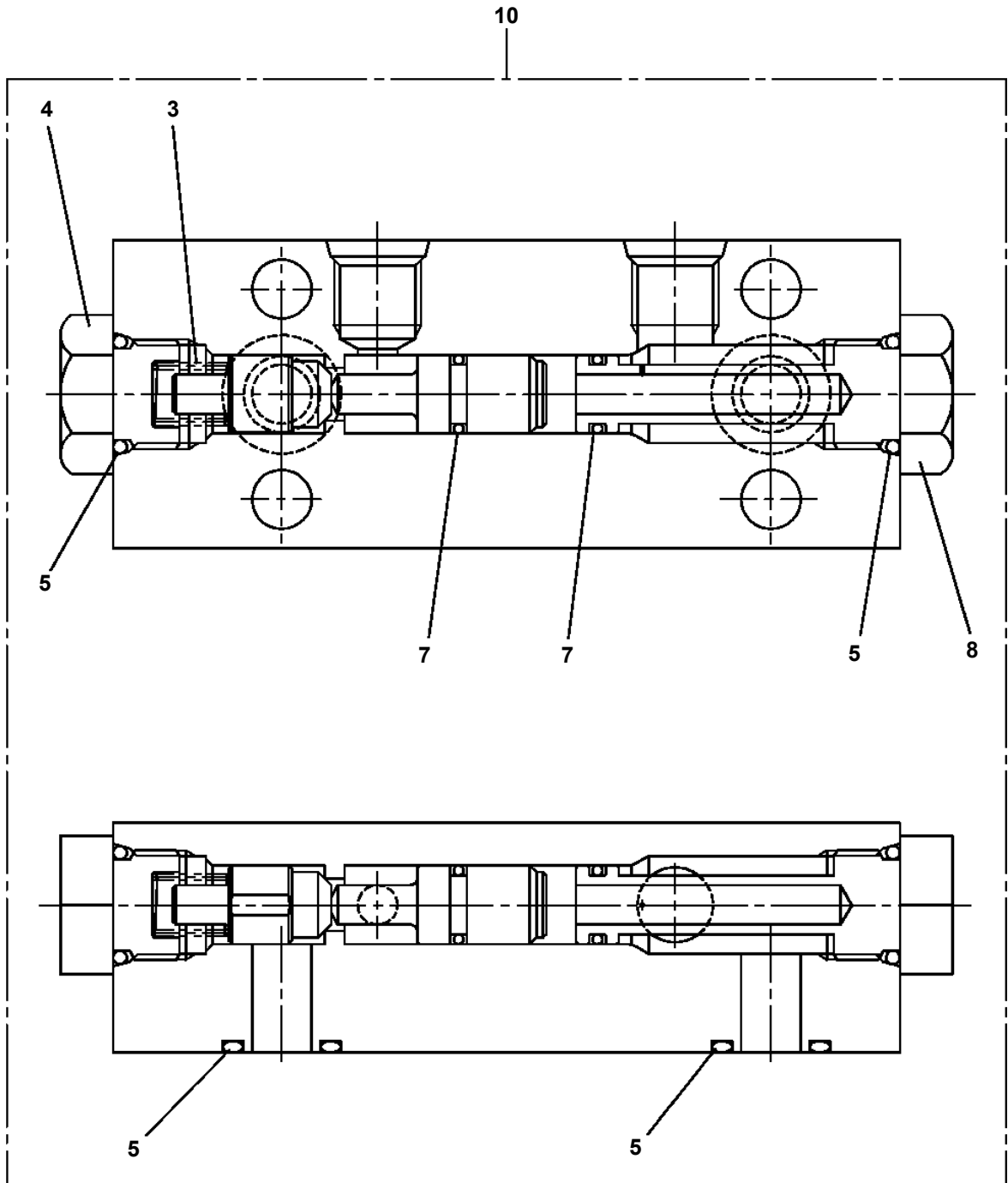
**AT-141-1 42043100045 UPPER  
PI1120031-00 VALVE, SOLENOID**

Assembly Name VALVE, SOLENOID

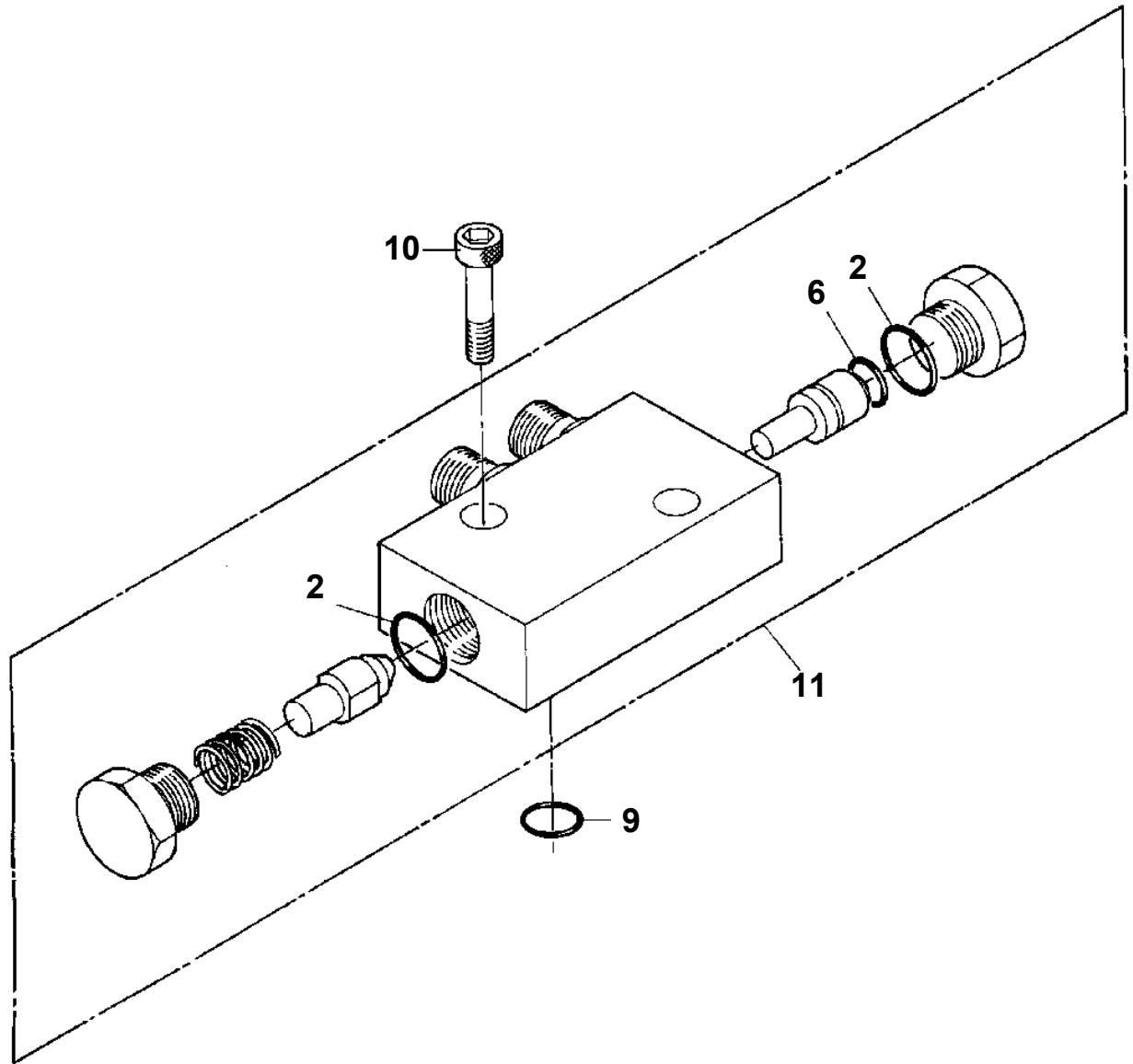
PI112-0031-00



**AT-141-1 42043100045 UPPER  
PI1140061-00 VALVE,CHECK**



AT-141-1 42043100045 UPPER  
PI1280041-01 VALVE,PILOT CHECK



CLICK HERE TO **DOWNLOAD** THE COMPLETE MANUAL

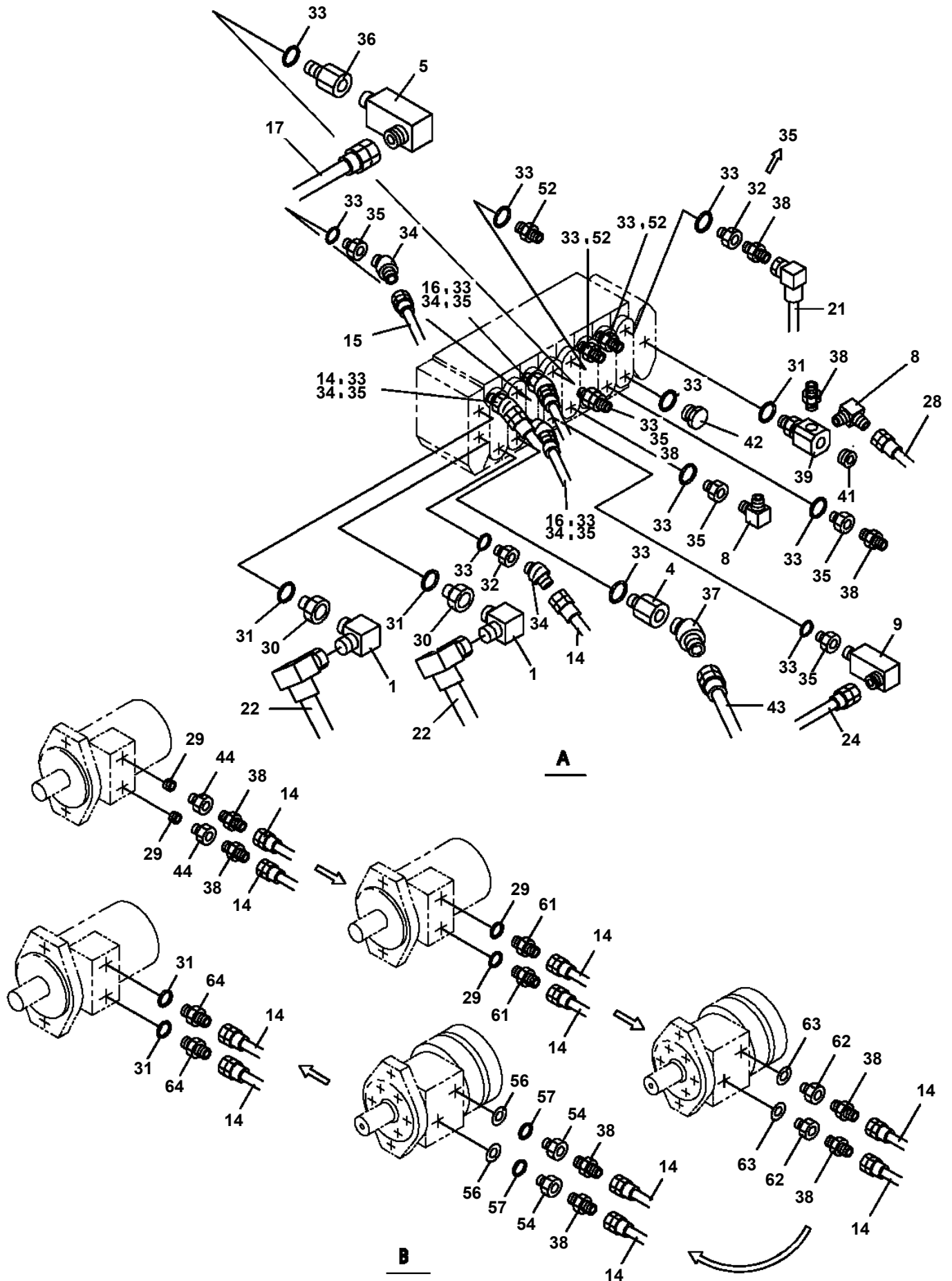
- Thank you very much for reading the preview of the manual.
- You can download the complete manual from: [www.heydownloads.com](http://www.heydownloads.com) by clicking the link below



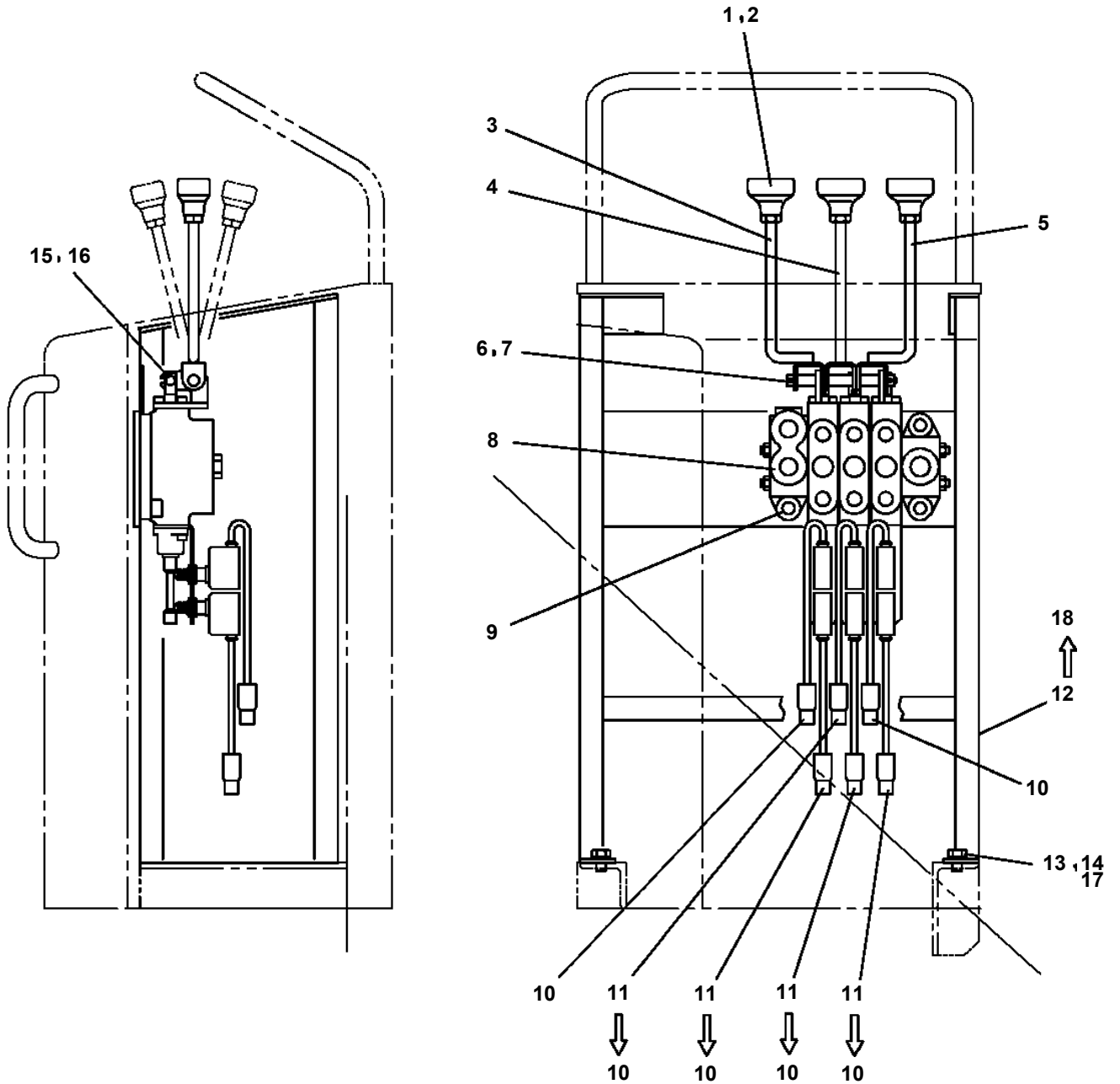
- Please note: If there is no response to CLICKING the link, please download this PDF first and then click on it.

CLICK HERE TO **DOWNLOAD** THE COMPLETE MANUAL

**AT-141-1 42043100045 UPPER  
PJ3200024-04 PIPING,BUCKET (WITHOUT LIFT.POWER JIB)**



**AT-141-1 42043100045 UPPER  
PL1010325-02 OPE.ASSY,CONT.VALVE (SWING)**



# AT-141-1 42043100045 UPPER

Pos No.	Parts No	Parts Name	Qty	Unit	Technical Data	Serial No (Start)	Serial No (End)
2	42350250100	SUPPORT	1				
3	90101208012	BOLT	6		M8X12		
4	90302040801	WASHER,SPRING	6		8		
5	80161302508	SCREW,MACHINE	2		M2.5X8		
6	90302040251	WASHER,SPRING	2		2.5		
7	42350080201	BUZZER ASSY (WITH CONNECTOR)	1				
8	82100002008	CLAMP	2		WR12		
9	90101206010	BOLT	5		M6X1.0		
10	90302040601	WASHER,SPRING	18		6		
11	80172303008	SCREW,MACHINE	5		M3X8		
12	82100002628	CAP	1				
13	90302040301	WASHER,SPRING	1		3		
14	42350250021	HARNESS	1				
15	82100002010	CLAMP	10		WR15		
16	90201200600	NUT	9		M6		
17	42350200300	BATTERY ASSY	1				
18	80181306008	SCREW,MACHINE	4		M6X8		
19	42350082001	TRANSMITTER,SIGNAL	1				
20	42350251000	SUPPORT ASSY	1				
21	82100002040	CLAMP	1		WE15		
22	42350250031	HARNESS	1				
24	42470201060	PLATE	1				
25	42350250070	PLUG (2 POLES,MALE)	1				
26	42350250090	PLUG (4 POLES,MALE)	1				
27	42350250150	PLUG (6 POLES,MALE)	1				
28	42350250080	PLUG (3 POLES,MALE)	1				
29	91810132530	FASTENER	25				
30	82100002014	CLAMP	1		WR20		
31	42350250201	HARNESS	1				
37	82100002307	COVER (CONTACT BLOCK PROTECTION/BLACK)	1				
38	82101350433	SWITCH,PUSH	1				
39	82100002524	LAMP,PILOT	2				
40	82100002308	COVER	1				
41	82100001709	SWITCH,ROTARY	1				
42	82105413140	SWITCH,TOGGLE	1				
43	82197518114	CAP (MATSUSHITA/BLACK)	3				
	82197518119	CAP (PLUS ONE MFG./BLACK)	3				
44	82100000192	TERMINAL	4				
48	82105411140	SWITCH,TOGGLE	1				
51	42350250011	HARNESS	1				
56	82105411150	SWITCH,TOGGLE	1				
61	42350251100	SUPPORT	1				
62	80147330420	RIVET	2				
63	82100000368	LAMP,PILOT	1				
64	80172303005	SCREW,MACHINE	2		M3X5		
65	90302040301	WASHER,SPRING	2		3		
66	42650335310	PLATE,NAME	1				
71	82100002469	BATTERY	1				
73	82100001261	CAP	1				
81	82100002626	CONNECTOR	1				
82	82114101040	CONNECTOR (4P,MALE)	1				
102	42350200310	HARNESS	1				
131	82101350403	BUTTON	1				
141	82198300503	LENS	2				
151	82100002836	BULB,LAMP	1				

# AT-141-1 42043100045 UPPER

Pos No.	Parts No	Parts Name	Qty	Unit	Technical Data	Serial No (Start)	Serial No (End)
1	42350220010	LAMP ASSY	1				
2	42350220020	SWITCH ASSY	1				
3	42350220030	SWITCH,PUSH (WITH CONNECTOR)	1				
5	82100002010	CLAMP	9		WR15		
6	90101206012	BOLT	2		M6X12		
7	90302040601	WASHER,SPRING	26		6		
8	82100001697	PLUG	1		OBS-13		
9	82100002039	CLAMP	1				
10	90201200800	NUT	1		M8		
11	90302040801	WASHER,SPRING	5		8		
12	82100002035	CLAMP	1		WE8		
13	90201200600	NUT	19		M6		
14	82100002596	RELAY	2				
15	82100002037	CLAMP	1		WE10		
16	82100002006	CLAMP	4		WR10		
17	82100002004	CLAMP	1		WR8		
18	82100001411	TUBE,SPIRAL	1	M	SE-08BK		
19	42350110050	HARNESS	1				
20	82100002014	CLAMP	4		WR20		
21	42350250080	PLUG (3 POLES,MALE)	1				
23	91810130250	FASTENER	20				
24	80192484016	SCREW,MACHINE	6		M4X16		
25	42350220202	HARNESS	1				
26	42350110101	HARNESS	1				
27	90101208016	BOLT	4		M8X16		
28	82100001710	BOX,FUSE	1				
29	80182306014	SCREW,MACHINE	2		M6X14		
30	90303070601	WASHER,PLAIN	2		6		
31	42350111001	TRANSMITTER,SIGNAL	1				
32	80182306010	SCREW,MACHINE	3		M6X10		
33	42350221000	BOX ASSY	1				
34	82400000204	GROMMET	1		L=320		
35	82100002016	CLAMP	1		WR25		
36	42350220300	SWITCH ASSY	1				
37	42350250070	PLUG (2 POLES,MALE)	1				
38	42350220103	HARNESS	1				
81	82100002307	COVER (CONTACT BLOCK PROTECTION/BLACK)	2				
101	82100000745	FUSE	6		10A,6.5X30		
111	80172303008	SCREW,MACHINE	12		M3X8		
112	90302040301	WASHER,SPRING	12		3		
113	90201200300	NUT	8		M3		
114	82400000319	HINGE	2				
115	42350221300	COVER	1				
116	82400000318	CATCH	1				
117	42350221100	CASE	1				
118	90101206008	BOLT	6		M6X8		
119	90302040601	WASHER,SPRING	6		6		
120	42350221400	COVER	1				
121	37000549400	PLATE	2				
141	42350229511	COVER ASSY	1				
151	82101350403	BUTTON	1				
161	82198300601	BUTTON (BLACK)	1				
177	82400000349	CATCH	1				
178	80147310420	RIVET	12		3.2X6		
180	82464110002	HINGE	2				

# AT-141-1 42043100045 UPPER

Pos No.	Parts No	Parts Name	Qty	Unit	Technical Data	Serial No (Start)	Serial No (End)	Remarks
1	42650337540	PLATE	1					
2	42650337550	BOARD,PRINT	1					
10	42650335602	CONVERTER (DC-DC,12V)	1					

# AT-141-1 42043100045 UPPER

Pos No.	Parts No	Parts Name	Qty	Unit	Technical Data	Serial No (Start)	Serial No (End)
1	42391422010	PLATE,NAME	1				
2	42391422020	PLATE,NAME	1				
3	42391422030	PLATE,NAME	1				
4	42391422040	PLATE,NAME	1				
5	42391162050	PLATE,CAUTION	1				226327
6	42390020170	PLATE,CAUTION	1				226327
	42392582050	PLATE,CAUTION	1			226328	
7	42391161140	PLATE,CAUTION	1				226327
	42392582060	PLATE,CAUTION	1			226328	
8	42391172050	PLATE,NAME (EMERGENCY PUMP)	1				226327
	42392330070	PLATE,NAME	1			226328	
9	42391172060	PLATE,NAME (EMERGENCY PUMP-ON)	1				
10	42392582080	PLATE,CAUTION	1			226328	

# AT-141-1 42043100045 UPPER

Pos No.	Parts No	Parts Name	Qty	Unit	Technical Data	Serial No (Start)	Serial No (End)	Remarks	Pa
2	42470721010	JOINT	2				229107		
	37000933940	JOINT	2			229108			
3	42470721301	PRUNER	1						
4	80456020410	JOINT,SELF SEALING	1						
5	80456010410	JOINT,SELF SEALING	1						
6	42470721200	HOSE ASSY	1						
7	42470721100	COVER	1						
8	91000590800	O-RING	2		AS568-908	229108			
21	42470727530	CAP (DUST)	1						
24	42470727540	CAP (DUST)	1						
26	42470727520	CAP (DUST)	1						
27	42470727510	CAP (DUST)	1						
51	42340017540	CAP	1						
61	42340017530	CAP	1						

# AT-141-1 42043100045 UPPER

Pos No.	Parts No	Parts Name	Qty	Unit	Technical Data	Se
1	42470980100	SWITCH,PUSH	1			
2	82100002220	CABLE	8	M		
3	82100002173	CONNECTOR	1			
10	42470984000	SWITCH BOX (ELECTRIC BOOSTER, 8M,NANABOSI,SINKOU DENKI)	1			

# AT-141-1 42043100045 UPPER

Pos No.	Parts No	Parts Name	Qty	Unit	Technical Data	Serial No (Start)	Serial No (End)	Remarks
1	91991601013	ACCESSORIES (WRENCH)	1					

# AT-141-1 42043100045 UPPER

Pos No.	Parts No	Parts Name	Qty	Unit	Technical Data	Serial No (Start)	Serial No (End)
1	42460012540	WEDGE (STOPPER FOR TIRE/NAKAMURA KIKI)	1				

# AT-141-1 42043100045 UPPER

Pos No.	Parts No	Parts Name	Qty	Unit	Technical Data	Serial No (Start)	Serial No (End)
1	42471070000	CLAMP HEAD (O.D.K 10TON ELECTRIC)	1				

# AT-141-1 42043100045 UPPER

Pos No.	Parts No	Parts Name	Qty	Unit	Technical Data	Serial No (Start)	Serial No (End)	F
1	42470530000	CUTTER HEAD (IZUMI 6.4TON AIR)	1					
2	42470537510	BOLT	2					
3	42470537520	NUT	2		M8			

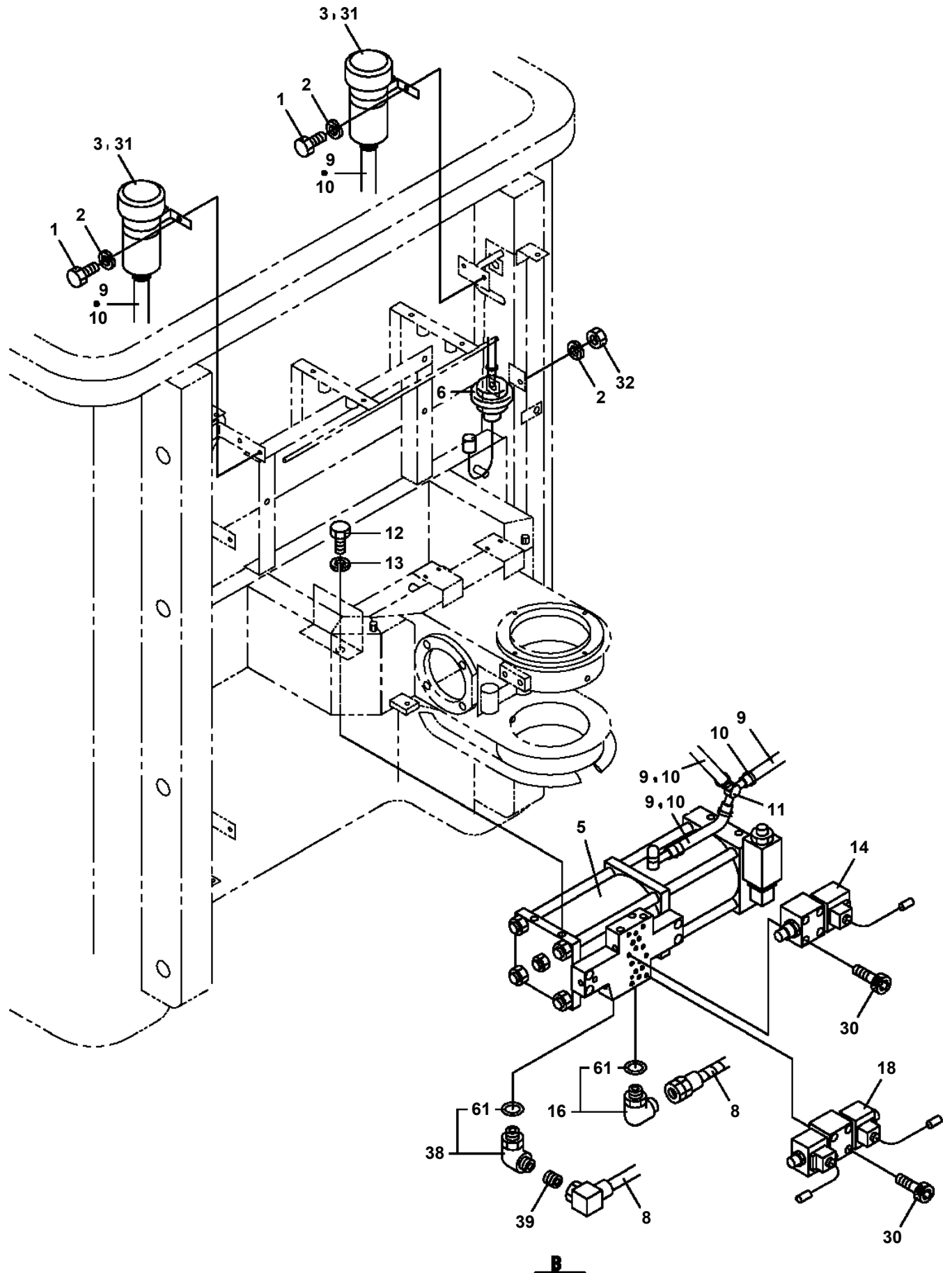
# AT-141-1 42043100045 UPPER

Pos No.	Parts No	Parts Name	Qty	Unit	Technical Data	Serial No (Start)	Serial No (End)	Remarks	Pages
1	42470121000	ARM ASSY	1						
2	42470122000	HOLDER	3						
3	42470123000	CLAMP ASSY	1						
4	42470044000	HOT STICK	1						
5	42470045000	SUPPORT	1						
7	90101216130	BOLT	1		M16X130				
8	90303071601	WASHER,PLAIN	1		16				
9	90201201600	NUT	1		M16				
21	90101210025	BOLT	6		M10X25				
22	90302041001	WASHER,SPRING	6		10				
24	42470601010	SUPPORT	3						
28	42470601050	SUPPORT	1						
31	42470121100	ARM	1						
32	42470121200	CAP	2						

# AT-141-1 42043100045 UPPER

Pos No.	Parts No	Parts Name	Qty	Unit	Technical Data	Serial No (Start)	Serial No (End)	Remarks	Pages
1	42470121000	ARM ASSY	1						
2	42470421000	HOLDER	3						
3	42470123000	CLAMP ASSY	1						
4	42470422000	SUPPORT	1						
5	90101216140	BOLT	1		M16X140				
6	90303071601	WASHER,PLAIN	1		16				
7	90201201600	NUT	1		M16				
21	42470121100	ARM	1						
22	42470121200	CAP	2						

**AT-141-1 42043100045 UPPER  
PY1160052-03 BOOSTER (AIR,WITHOUT BUKET LIFT)**



# AT-141-1 42043100045 UPPER

Pos No.	Parts No	Parts Name	Qty	Unit	Technical Data	Serial No (Start)	Serial No (End)	Remarks	Pages
1	42350072000	LAMP ASSY	1						
2	90101208012	BOLT	4		M8X12				
3	90302040801	WASHER,SPRING	4		8				
31	42350072100	SUPPORT	1						
32	42733020200	LAMP (YELLOW)	1						
33	37002702970	CABLE	1						
41	82100002550	BULB,LAMP	1		24V 20W				

# AT-141-1 42043100045 UPPER

Pos No.	Parts No	Parts Name	Qty	Unit	Technical Data	Serial No (Start)	Serial No (End)
1	42262927540	HOOK ASSY (WITH RUBBER,L=250)	2				
2	42262927530	HOOK ASSY (WITH RUBBER,L=2100)	2				
3	42261647530	BELT (WITH BUCKLE)	1				
11	42261647520	HOOK	4				
30	42261644000	COVER,BUCKET	1				

# AT-141-1 42043100045 UPPER

Pos No.	Parts No	Parts Name	Qty	Unit	Technical Data	Serial No (Start)	Serial No (E
5	80456210600	JOINT,SELF SEALING	1				
6	80456240600	JOINT,SELF SEALING (WITH DUST CAP)	1				
11	42471437520	CAP	1				
30	42471085000	HOSE,BOOSTER (MALE-FEMALE,5M)	1				

# AT-141-1 42043100045 UPPER

Pos No.	Parts No	Parts Name	Qty	Unit	Technical Data	Serial No (Start)	Serial No (End)
1	42471271000	DRILL ASSY	1				
2	80460003080	JOINT	2		S,G3/8-3/4-16UNF		
3	37002425110	HOSE	2		L=2500		
4	91810132530	FASTENER	4				
5	80456020610	JOINT,SELF SEALING	1				
6	42340013200	JOINT,SELF SEALING (WITH CAP)	1				
11	42340017550	CAP (DUST)	1				
16	42340017510	CAP (DUST)	1				
20	42471270000	DRIL,HYDRAULIC	1				

# AT-141-1 42043100045 UPPER

Pos No.	Parts No	Parts Name	Qty	Unit	Technical Data	Serial No (Start)	Serial No (End)	Remarks
1	42472650000	HANGER (FOR BUCKET)	1					

CLICK HERE TO **DOWNLOAD** THE COMPLETE MANUAL

- Thank you very much for reading the preview of the manual.
- You can download the complete manual from: [www.heydownloads.com](http://www.heydownloads.com) by clicking the link below



- Please note: If there is no response to CLICKING the link, please download this PDF first and then click on it.

CLICK HERE TO **DOWNLOAD** THE COMPLETE MANUAL