

AT-141-1 42043100052 UPPER

PD2000101-00 SWING UNIT

PG2000114-00 BOOM UNIT

PH1000545-00 SAFETY DEVICES (MOMENT LIMITER)

PJ3000358-00 BUCKET SYSTEM

PK2000433-00 FRAME UNIT

PO1000149-00 INDICATION PLATES

PY1000850-01 OPTIONS,1

PY1000851-01 OPTIONS,2

PY1000857-00 OPTIONS,3

ASSEMBLY

CLICK HERE TO **DOWNLOAD** THE COMPLETE MANUAL

- Thank you very much for reading the preview of the manual.
- You can download the complete manual from: www.heydownloads.com by clicking the link below



- Please note: If there is no response to CLICKING the link, please download this PDF first and then click on it.

CLICK HERE TO **DOWNLOAD** THE COMPLETE MANUAL

AT-141-1 42043100052 UPPER

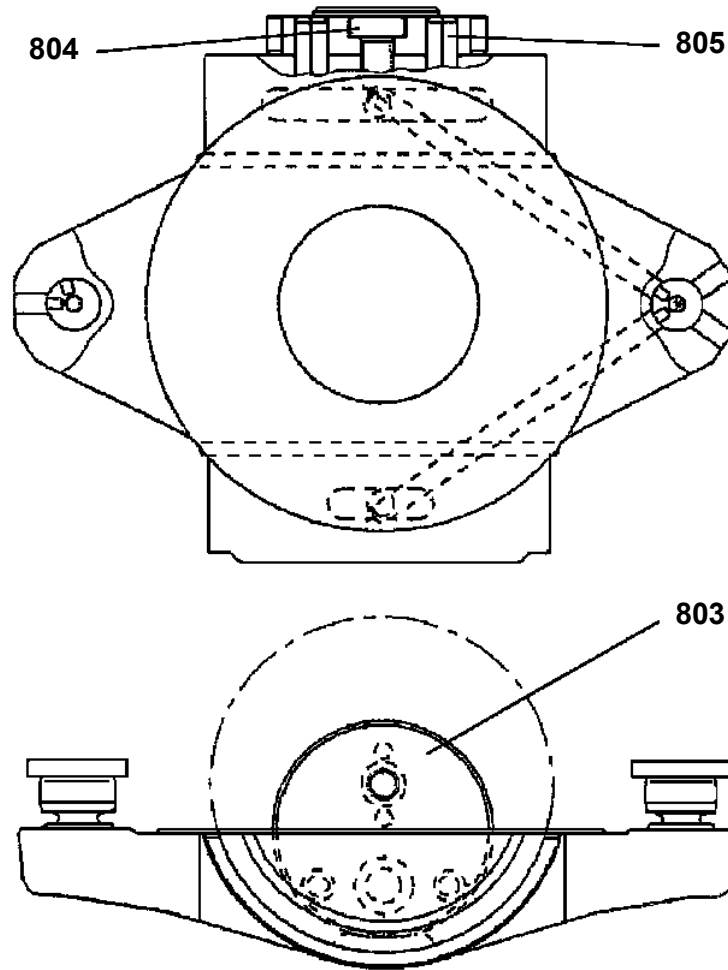
Pos No.	Parts No	Parts Name	Qty	Unit	Technical Data	Serial No (Start)	Serial N
1	(*****)	FRAME	1				
2	(*****)	OUTRIGGER (FRONT)	1				
3	(*****)	OUTRIGGER (REAR)	1				
4	(*****)	PIPING,LOWER (FRAME)	1				
5	(*****)	OPE.ASSY,OUTRIGGER	1				
6	(*****)	ELEC.ASSY (SUB FRAME)	1				
7	(*****)	TANK,OIL (SUPPORT)	1				
9	(*****)	POWER SUPPLY (MOUNT,EMERGENCY PUMP)	1				
31	(*****)	POWER SUPPLY (ENGINE,MOUNT)	1				
32	(*****)	POWER SUPPLY (DRAIN)	1				
33	(*****)	POWER SUPPLY (WIRING)	1				
34	(*****)	POWER SUPPLY (COVER,ENGINE)	1				

AT-141-1 42043100052 UPPER

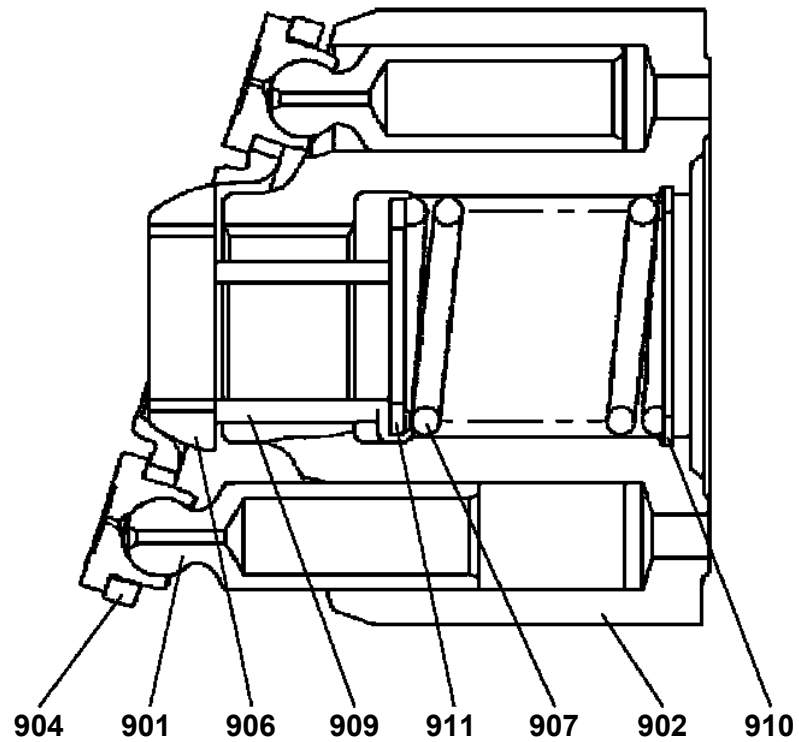
PB1100101-02 PUMP,HYDRAULIC (EMERGENCY)
PB1100380-01 PUMP,HYDRAULIC
PB1110061-00 MOUNT,PUMP
PB1130079-01 TANK,OIL (SUPPORT)
PB1130132-04 TANK,OIL
PB1300106-05 JOINT,ROTARY
PB1320001-00 VALVE,MANUAL CONTROL
PB1320209-03 VALVE,MANUAL CONTROL (OUTRIGGER)
PB1320279-00 VALVE,MANUAL CONTROL (BUCKET)
PB1320297-00 VALVE,MANUAL CONTROL
PB1370011-02 POWER SUPPLY (STARTER)
PB1370073-00 POWER SUPPLY (DRAIN)
PB1370074-00 POWER SUPPLY (COVER,ENGINE)
PB1370079-02 POWER SUPPLY (WIRING)
PB1370082-04 POWER SUPPLY (EXHAUST)
PB1370084-04 POWER SUPPLY (WIRING)
PB1370085-04 POWER SUPPLY (COVER)
PB1380024-02 POWER SUPPLY (MOUNT,EMERGENCY PUMP)
PB1380356-00 POWER SUPPLY (ENGINE)
PB1380357-00 POWER SUPPLY (PIPING)
PB1380359-00 POWER SUPPLY (ENGINE,MOUNT)
PB1400113-05 PIPING,HYDRAULIC UPPER
PB1400398-00 PIPING,UPPER
PB1410272-05 PIPING,LOWER (FRAME)
PC1010186-03 OUTRIGGER (FRONT)
PC1010187-01 OUTRIGGER (REAR)
PC1011117-00 OUTRIGGER (FRONT)
PC1030032-04 CYLINDER,JACK
PC1050069-01 CYLINDER,EXTENSION (FRONT)
PC1050071-02 CYLINDER,EXTENSION (REAR)
PC1100091-04 OPE.ASSY,OUTRIGGER
PC1190004-01 INDICATOR,OUTRIGGER
PC1190016-00 INDICATOR,OUTRIGGER
PC5040001-00 CABLE ASSY,CONTROL
PD1010105-01 REDUCER,SWING SPEED
PD1010106-01 REDUCER,SWING SPEED
PE1010146-00 CYLINDER,ELEVATING
PE1010154-01 CYLINDER,ELEVATING
PE1050007-04 CYLINDER,LEVELING (UPPER)
PE1050009-06 CYLINDER,LEVELING (LOWER)
PF1010091-01 WINCH (1-PART LINE)
PF1050152-00 HOOK (1-PART LINE)
PF1200139-01 PIPING,WINCH
PF1350013-02 WINCH,JIB (FRP)
PF1350014-04 WINCH,JIB (SUPPORT. MANUAL JIB)
PF1350017-02 WINCH,JIB (FRP.INSULATION)
PF1360001-02 CYLINDER,WINCH JIB (MANUAL)
PF1400139-02 MOUNT,WINCH (MANUAL JIB)
PG1010243-03 BOOM
PG1050148-04 CYLINDER,TELESCOPING
PG1120065-02 DETECTOR SYSTEM, BOOM LENGTH
PG1130062-00 DETECTOR,BOOM LENGTH
PG1200070-04 PIPING,TELESCOPING
PG1410017-01 COVER,BOOM
PG1410022-01 COVER,BOOM
PH1250022-00 MOMENT LIMITER (AML-AV-2)
PH5031064-00 HARNESS
PH5031797-00 HARNESS
PH5032593-00 HARNESS
PH5032800-00 HARNESS
PH5032820-00 HARNESS
PH5032826-00 HARNESS
PH5034452-00 HARNESS
PI1010001-00 MOTOR,HYDRAULIC

AT-141-1 42043100052 UPPER
PB1100380-01 PUMP, HYDRAULIC

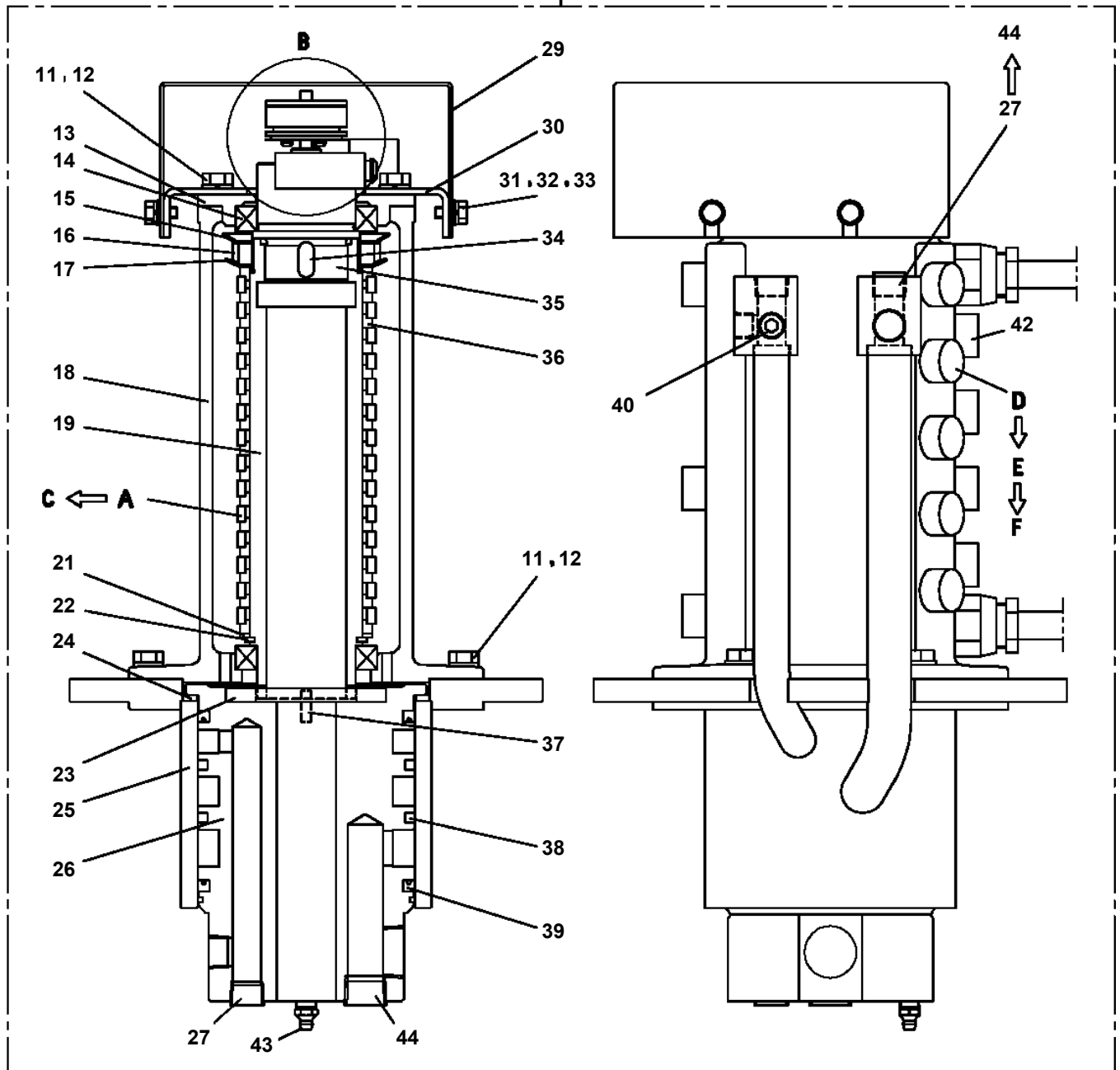
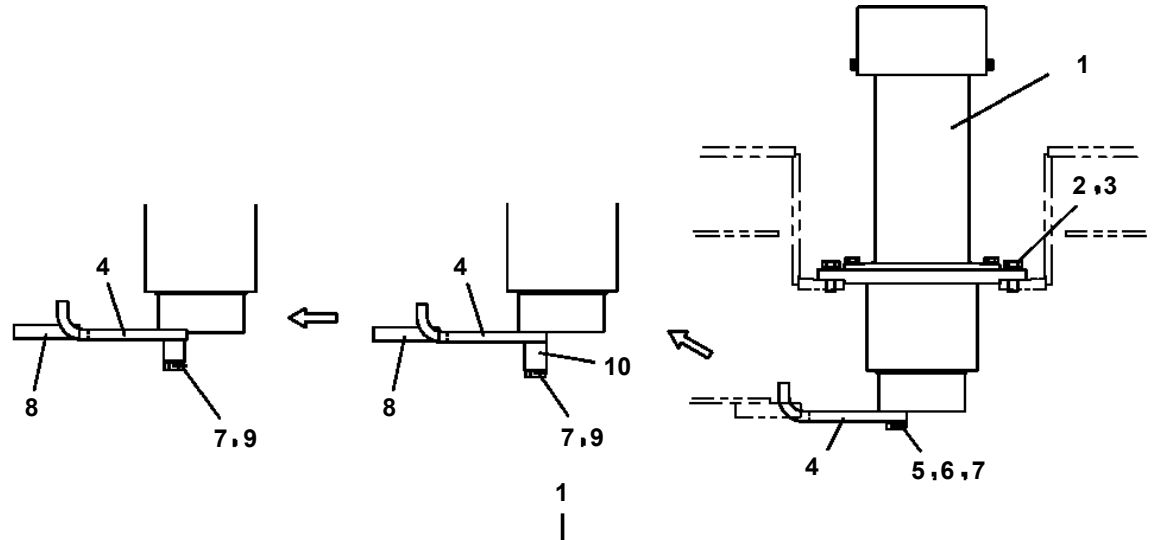
107



601



**AT-141-1 42043100052 UPPER
PB1300106-05 JOINT,ROTARY**

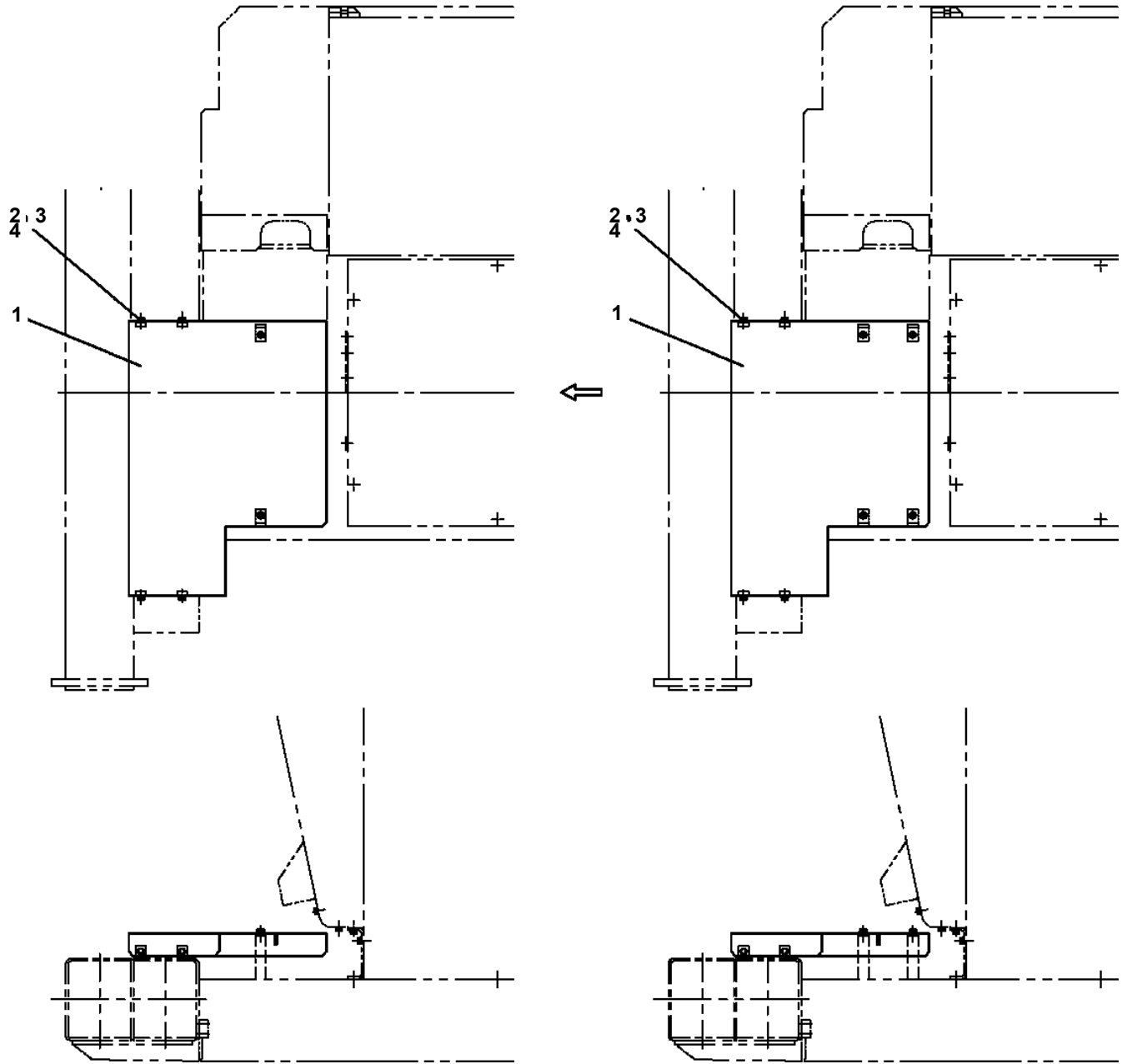


AT-141-1 4204310052 UPPER

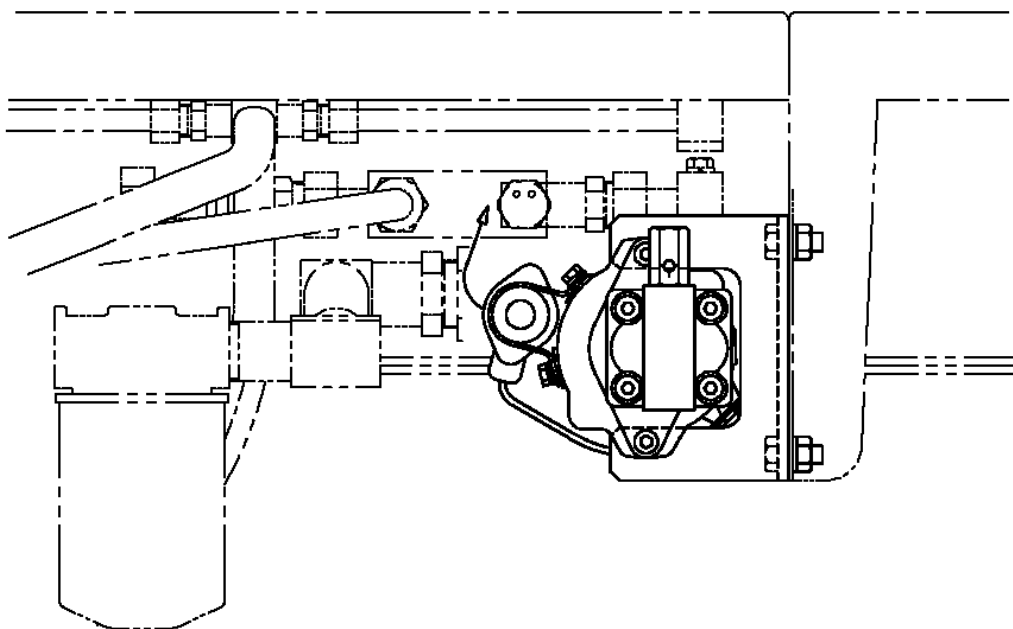
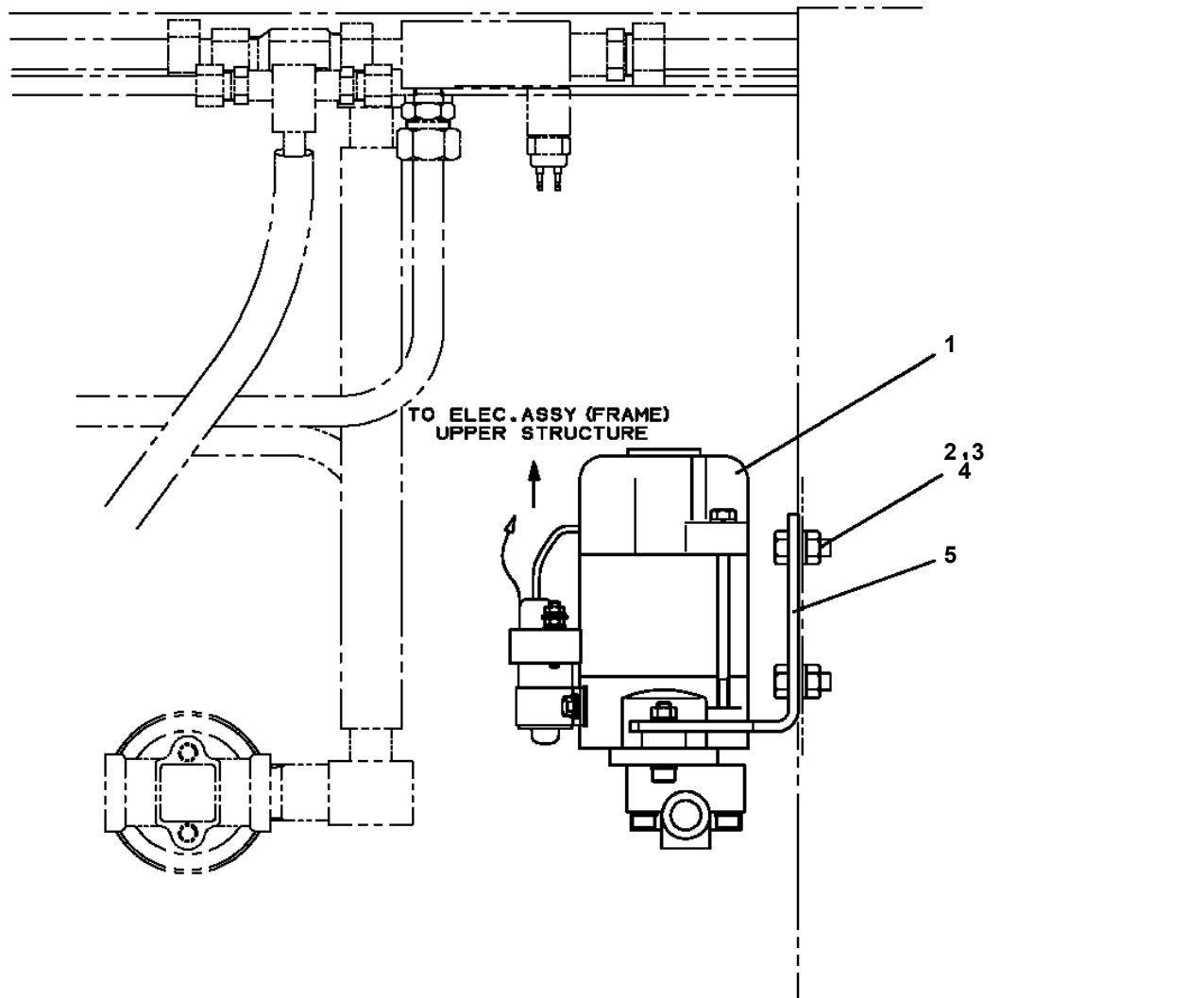
Pos No.	Parts No	Parts Name	Qty	Unit	Technical Data	Serial No (Start)	Serial No (End)
2	36632775010	BODY	1				
4	36634195050	VALVE,CONTROL	4				
5	36634195030	VALVE,CONTROL	1				
7	36634195060	VALVE,RELIEF	1				
8	12435101160	RETAINER (VALVE)	4				226981
	36635045040	RETAINER (VALVE)	4			226982	
9	91002801400	O-RING	4		1B P14		
10	36633375020	VALVE,PILOT CHECK	1				226981
20	36634195070	VALVE,PILOT CHECK	1			226982	
22	91002905500	O-RING	7		1B G55		
33	56051331100	SEAL,OIL	10				
34	56051331120	COVER	5				
43	91001100500	O-RING	1		1A P5		
44	91002801100	O-RING	1		1B P11		
45	91002801400	O-RING	1		1B P14		
54	91000501500	O-RING	2		AS568-015		
55	91002802200	O-RING	2		1B P22		
56	91002801001	O-RING	1		1B P10A		
64	91001001600	O-RING	2		1A S16		
75	56051331180	SPRING	1				
81	19215101010	O-RING	1				
106	56051331170	PLUG	1			226982	
107	13615104400	PLUG	1			226982	
200	36634190000	VALVE,MANUAL CONTROL (OUTRIGGER)	1				

AT-141-1 42043100052 UPPER
PB1370074-00 POWER SUPPLY (COVER,ENGINE)

FRONT ←



**AT-141-1 42043100052 UPPER
PB1380024-02 POWER SUPPLY (MOUNT, EMERGENCY PUMP)**



AT-141-1 4204310052 UPPER

Pos No.	Parts No	Parts Name	Qty	Unit	Technical Data	Serial No (Start)	Serial No (End)	Remark
2	90101208060	BOLT	2		M8X60			
3	90302040801	WASHER,SPRING	6		8			
5	90101208045	BOLT	4		M8X45			
7	37002435490	HOSE	1		L=2240			
8	37002411990	HOSE	1		L=2500			
9	37002411980	HOSE	1		L=2430			
10	37002412350	HOSE	2		L=2050			
11	37002417030	HOSE	1		L=950			
12	37002435300	HOSE	1		L=1000			
13	81408000210	PIPE,STEEL	1	M	15X2.0T			
14	37002435320	HOSE	1		L=1000			
15	81408000130	PIPE,STEEL	1	M	10X1.8T			
16	81408000130	PIPE,STEEL	1	M	10X1.8T			
17	37002437380	HOSE	1		L=900			
18	81408000130	PIPE,STEEL	1	M	10X1.8T			
19	37002410350	HOSE	1		L=1000			
21	42340240210	JOINT	2					
22	42340180040	ORIFICE	2					
23	80315040060	JOINT	2					
24	91002801400	O-RING	2		1B P14			
25	91810130250	FASTENER	15					
26	37002435330	HOSE	1		L=1100			
28	37000900750	JOINT	1		L,R1/4-G3/8			
29	80430410450	JOINT	5					
30	81408000160	PIPE,STEEL	1	M	12X1.4T			
31	81408000160	PIPE,STEEL	1	M	12X1.4T			
33	37002435340	HOSE	1		L=900			
34	37002410040	HOSE	1		L=800			
35	37000915190	JOINT	2					
36	37002437390	HOSE	1		L=900			
38	89640201000	HOSE	1		660-NFK,1M			
39	37002411020	HOSE	1		L=1500			
40	80400160109	FITTING,ELBOW	1		20369-U3/8X1/4			
41	37002437400	HOSE	1		L=1200			
42	37002435360	HOSE	1		L=1320			
43	37002408000	HOSE	1		L=950			
44	82100001411	TUBE,SPIRAL	2	M	SE-08BK			
51	80430450650	JOINT	3					
52	37000912640	JOINT	1					
53	80316030060	PLUG	1		PT3/8			
54	36644990000	VALVE,SOLENOID	1					
55	80303030180	FITTING,ELBOW	1		KLN15-030N			
61	36630910000	VALVE,MANUAL CONTROL	2					
62	80302010100	FITTING	3		KCT10-020N			
63	37000901820	JOINT	2		R3/8-G1/4			
64	80303030160	FITTING,ELBOW	2		KLN12-030N			
65	80430450450	JOINT	2		YL502			
71	80430410450	JOINT	9					
72	80430410650	JOINT	2					
73	42341270310	JOINT	1					
81	80302090121	FITTING	3		KCO10-030N			
82	91002801400	O-RING	9		1B P14			
83	42340240500	FILTER,OIL	3					
84	36601610001	VALVE,RELIEF	1					
91	42341270510	JOINT	1					
93	37000900740	JOINT	1					
101	80400160131	JOINT	1					
102	91002801800	O-RING	5		1B P18			
103	80400160128	JOINT	4		S,G3/8-G1/4			
105	80302090161	FITTING	2		KCO12-030N			
106	80302010200	FITTING	1		KCT15-040N			
107	80305080060	JOINT	1		ST1/2			
108	80315040070	JOINT	1					

AT-141-1 4204310052 UPPER

Pos No.	Parts No	Parts Name	Qty	Unit	Technical Data	Serial No (Start)	Serial No (End)	Re
3	90101510018	BOLT	16		M10X18			
4	90302041001	WASHER,SPRING	16		10			
5	42611150100	PLATE	8					
6	42611150020	PLATE,SLIDE	8		T=15			
7	42611150110	SHIM	N		T=1.6			
8	42611150120	SHIM	N		T=0.5			
9	42611150130	PLATE,SLIDE	8		T=12			
21	42611152001	CASE,INNER (FRONT)	1					
22	42611151500	CASE,INNER (JACK)	2					
23	42610263001	FLOAT ASSY	2					
24	36041310000	CYLINDER,EXTENSION (FRONT)	2					
25	36032330000	CYLINDER,JACK	2					
26	42611151011	HARNESS	2					
27	91810130240	FASTENER	20					
28	37000112310	PIN	2					
29	80601110250	RING,RITAINING	4		S25			
30	42730072000	COVER	2					
31	90101206012	BOLT	12		M6X12			
32	90302040601	WASHER,SPRING	14		6			
33	37000112330	PIN	2					
34	80601110350	RING,RITAINING	4		S35			
35	37002435150	HOSE	4		L=1650			
36	37000112950	PIN	2					
37	80601110120	RING,RITAINING	4		S12			
38	37000131820	PIN	2					
39	80601110300	RING,RITAINING	4		S30			
40	(*****)	VALVE,PILOT CHECK	2					
41	90131510035	BOLT,HEXAGON SOCKET	4		M10X35			
42	42610020510	CHOKE	2					
43	82100002005	CLAMP	2		WRC8			
44	90101208010	BOLT	2		M8X10			
45	90302040801	WASHER,SPRING	2		8			
46	90303070801	WASHER,PLAIN	2		8			
47	90101206016	BOLT	2		M6X16			
48	90201200600	NUT	2		M6			
51	42611153500	CASE,INNER (FRONT,LEFT)	1					
63	42610263100	TRUNNION	2					

AT-141-1 42043100052 UPPER

Pos No.	Parts No	Parts Name	Qty	Unit	Technical Data	Serial No (Start)	Serial No (End)	Rem
1	91660003001	SEAL,DUST	1					
2	91694003000	PACKING	1					
3	91002904000	O-RING	1		1B G40			
4	36040335021	COVER,ROD	1					
5	36041325100	CYLINDER	1					
6	36041315200	ROD	1					
7	36041030300	PISTON	1					
8	91100104500	SEAL,RING	1					
9	90302041801	WASHER,SPRING	1		18			
10	90209201800	NUT	1		M18			
30	36042419900	PACKING SET	1		30X45			
50	36041320000	CYLINDER,EXTENSION (REAR)	1					

AT-141-1 42043100052 UPPER

Pos No.	Parts No	Parts Name	Qty	Unit	Technical Data	Serial No (Start)	Serial No (End)
2	36080900000	REDUCER,SWING SPEED	1				
3	90171116065	BOLT	3		M16X65		
4	90303071601	WASHER,PLAIN	3		16		
5	90201781600	NUT	3		M6		
6	90302041601	WASHER,SPRING	3		16		
7	90710012400	SCREW,SET	2		M12X40		
8	90203201200	NUT	2		M12		
9	90172112030	BOLT,HEXAGON SOCKET	4		M12X30		
10	36660360000	MOTOR,HYDRAULIC	1				
31	37002302450	BEARING,SWING (NSK)	1				
32	37002303560	BEARING,SWING (NIHON MONORACE)	1				
	37002304750	BEARING,SWING (KOYO)	1				
41	37002399010	SEAL (UP,DOWN-SIDE SET)	1				
42	82456201000	NIPPLE,GREASE	6		A-TYPE PT1/8		

AT-141-1 4204310052 UPPER

Pos No.	Parts No	Parts Name	Qty	Unit	Technical Data	Serial No (Start)	Serial No (End)	Rem
3	91001101800	O-RING	1		1A P18			
4	91684007501	PACKING	2					
5	91411206201	RING,BACKUP	2					
6	91300007500	BEARING,PLAIN	1					
7	36021135030	PISTON	1					
8	90302042001	WASHER,SPRING	1		20			
9	90209702001	NUT	1		M20X2			
10	80820003020	BEARING,PLAIN	2					
12	80612110400	RING,RITAINING	1		AR40			
13	80801003525	BEARING,PLAIN	1					
14	91001207000	O-RING	1		1A G70			
15	91411107000	RING,BACKUP	1		P70			
17	91694003500	PACKING	1					
18	91410203501	RING,BACKUP	1					
20	91660003500	SEAL,DUST	1					
21	80622000350	RING,RITAINING	1		SP35			
22	91001003500	O-RING	1		S35			
23	36020905040	COVER (GAUGE)	1					
24	91001206500	O-RING	1		1A G65			
25	36020615050	BEARING,SPHERICAL	1					
26	82456101000	NIPPLE,GREASE	1		A-PT1/8			
27	82458101000	NIPPLE,GREASE	1		B-PT1/8			
31	36021135041	CYLINDER ASSY	1					
32	36021139510	ROD ASSY	1					
33	36021135050	COVER,ROD	1					
37	82100001411	TUBE,SPIRAL	1	M	SE-08BK			
43	42360120030	CONNECTOR	1					
61	82100002132	CONNECTOR	1					
91	36021139900	PACKING SET	1		35X75			
100	36021139520	CYLINDER,LEVELING (LOWER)	1					

AT-141-1 4204310052 UPPER

Pos No.	Parts No	Parts Name	Qty	Unit	Technical Data	Serial No (Start)	Serial No (End)	Re
1	42220246000	FRAME	1					
2	90101208010	BOLT	16		M8X10			
3	90302040801	WASHER,SPRING	20		8			
4	82400000317	CATCH	2					
5	80175304008	SCREW,MACHINE	4		M4X8			
6	42220044010	PIN	2					
7	42220010040	SHIM	4					
8	42220010050	GUIDE	4					
9	37000508930	PLATE	8					
10	42220241030	ROPE,WIRE	2					
11	82112001022	SLEEVE	4					
15	(*****)	CYLINDER,WINCH JIB (MANUAL)	1					
16	42220241010	PIN	1					
17	80601110100	RING,RITAINING	4		S10			
18	42220241020	PIN	1					
20	90101508020	BOLT	2		M8X20			
21	90201400800	NUT	2		M8			
22	37001505790	BOLT	2		M8X20			
23	37000546360	PLATE	2					
24	42220231100	PIN	1					
25	80601110250	RING,RITAINING	2		S25			
26	90101208014	BOLT	4		M8X14			
32	42220245000	POST	1					
33	42220244500	PIN ASSY	1					
43	37001201220	SPRING	1					
46	90710003100	SCREW,SET	1					
61	42220244100	PIN	1					
72	42220343100	SUPPORT	1					
86	82456101000	NIPPLE,GREASE	1		A-PT1/8			
91	42220343200	LEVER	1					
92	42220234500	COVER	1					
93	42220234600	COVER	1					
94	37000146540	PIN	1					
95	80613110040	RING,RETAINING	1					
96	82430208020	GRIP	1					

AT-141-1 4204310052 UPPER

Pos No.	Parts No	Parts Name	Qty	Unit	Technical Data	Serial No (Start)	Serial No (End)	Remarks
2	37001005980	SHEAVE ASSY	2					
3	37001106400	ROLLER ASSY	2					
5	37001911820	ROPE,WIRE (TESAC)	1					
	37001911070	ROPE,WIRE (KOKOKU)	1					
6	37001911060	ROPE,WIRE (KOKOKU)	1					
	37001911810	ROPE,WIRE (TESAC)	1					
7	37000116980	PIN	1					
8	42200575000	SHEAVE ASSY (MARUCH)	1					
9	80602110400	RING,RITAINING	2		R40			
10	37000144680	PIN	2					
11	80601110400	RING,RITAINING	2		S40			
12	37000144690	PIN	1					
13	37002005310	PLATE,SLIDE	2					
14	37000547580	PLATE	N		T=0.8			
15	80184306012	SCREW,MACHINE	8		M6X12			
16	37002001720	PLATE,SLIDE	6					
17	37000508520	PLATE	12		T=0.8			
18	90101514040	BOLT	21		M14X40			
19	90201401400	NUT	21		M14			
20	90303071401	WASHER,PLAIN	42		14			
21	90302041401	WASHER,SPRING	21		14			
22	42200579510	BOOM,BASE	1					
23	42200572000	BOOM,2ND	1					
24	42200573000	BOOM,TOP	1					
25	42200433100	SADDLE	1					
26	42200573500	FRAME	1					
27	37000115380	PIN	1					
28	90238403008	NUT,CASTLE	1		M30X2			
29	37000524070	PLATE	1		T=6			
30	80136360050	PIN,SPLIT	1		6X50			
31	90303073001	WASHER,PLAIN	1		30			
32	90101510016	BOLT	20		M10X16			
33	90302041001	WASHER,SPRING	52		10			
34	42200430350	COVER	2					
35	37002005290	PLATE,SLIDE	2					
36	90131510040	BOLT,HEXAGON SOCKET	8		M10X40			
37	37002005300	PLATE,SLIDE	2					
38	90101208012	BOLT	10		M8X12			
39	37000144700	PIN	1					
40	42200430130	COVER	1					
41	42200430170	COVER	1					
42	80601110300	RING,RITAINING	2		S30			
43	37000545450	PLATE	4		T=1.2			
44	37002002310	PLATE,SLIDE	2					
45	37000512290	PLATE	10		T=0.8			
46	37000512300	PLATE	10		T=0.5			
47	90202401200	NUT	4		M12			
48	90202401600	NUT	4		M16			
49	90101208020	BOLT	4		M8X20			
50	90302040801	WASHER,SPRING	14		8			
51	90303070801	WASHER,PLAIN	10		8			
52	37002005270	PLATE,SLIDE	2					
53	37000512280	PLATE	10		T=0.8			
54	37000512270	PLATE	10		T=0.5			
55	90101510020	BOLT	18		M10X20			
56	90303071001	WASHER,PLAIN	12		10			
57	42200434400	RETAINER	2					
59	80316030020	PLUG	1		PT1/8			
60	37000144710	PIN	1					
61	37000509190	PLATE	1					
62	90101512030	BOLT	2		M12X30			
63	90302041201	WASHER,SPRING	2		12			
69	37000127870	PIN	2					

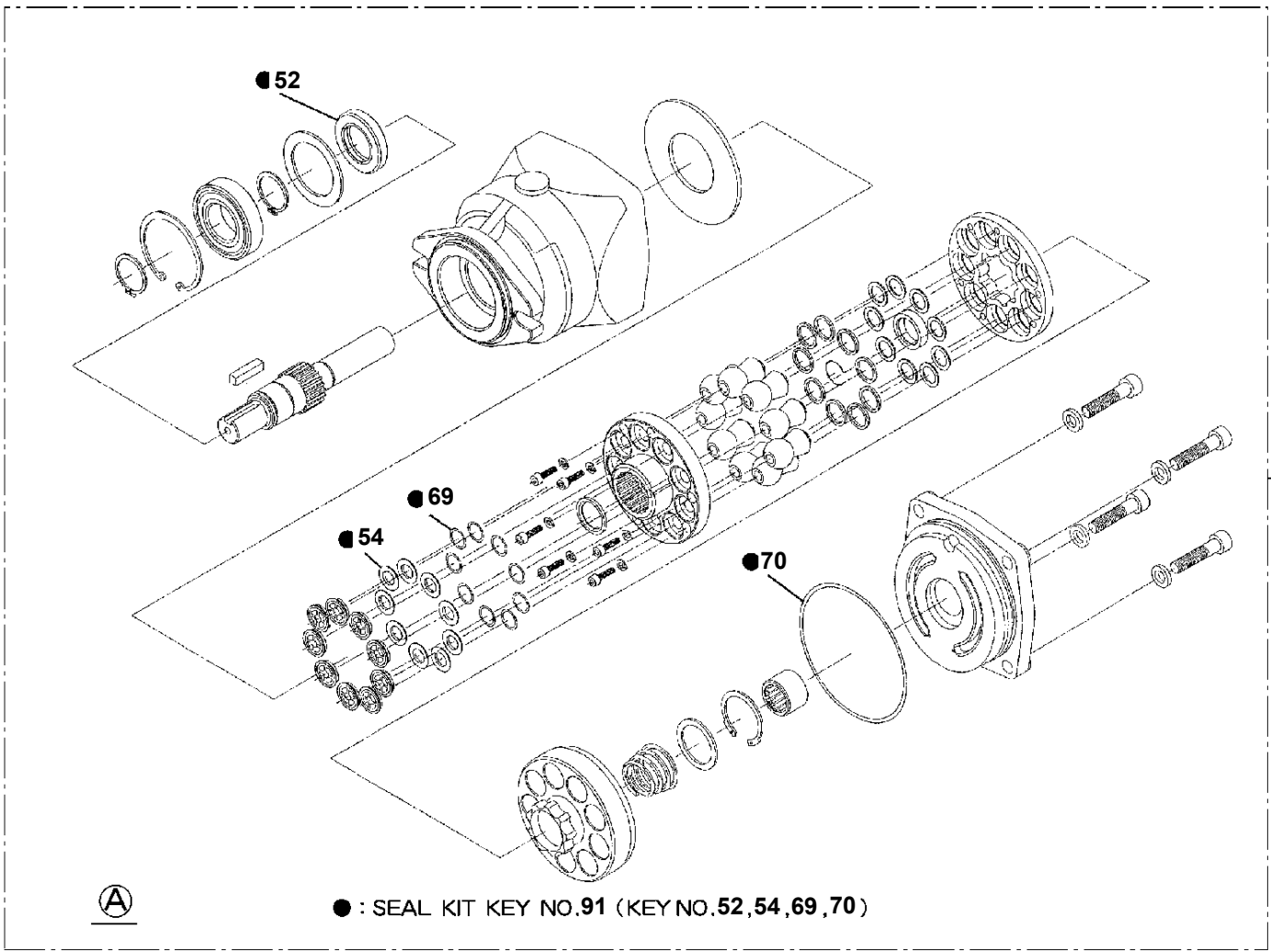
AT-141-1 42043100052 UPPER

Pos No.	Parts No	Parts Name	Qty	Unit	Technical Data	Serial No (Start)	Serial No (End)	Remarks	Pages
100	42350200310	HARNESS	1						

AT-141-1 42043100052 UPPER

Pos No.	Parts No	Parts Name	Qty	Unit	Technical Data	Serial No (Start)	Serial No (End)	Remarks	Pages
100	42473530501	HARNESS	1						

**AT-141-1 42043100052 UPPER
PI1010135-00 MOTOR, HYDRAULIC (WINCH)**

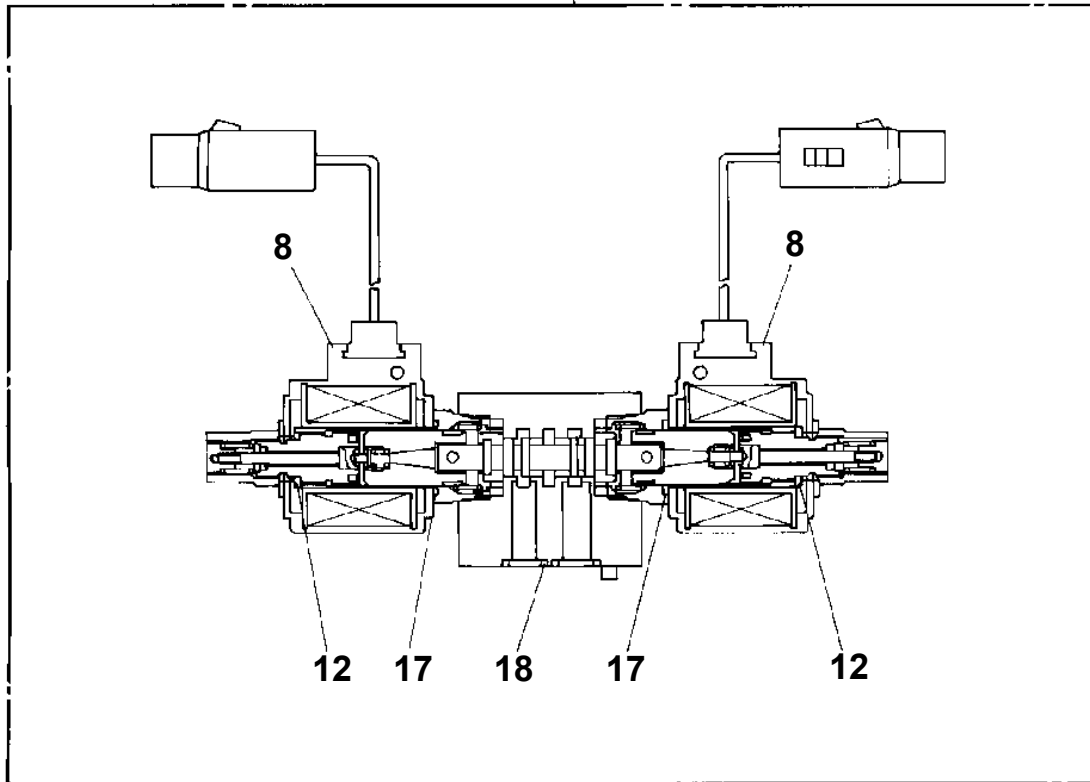


100

● : SEAL KIT KEY NO.91 (KEY NO.52,54,69,70)

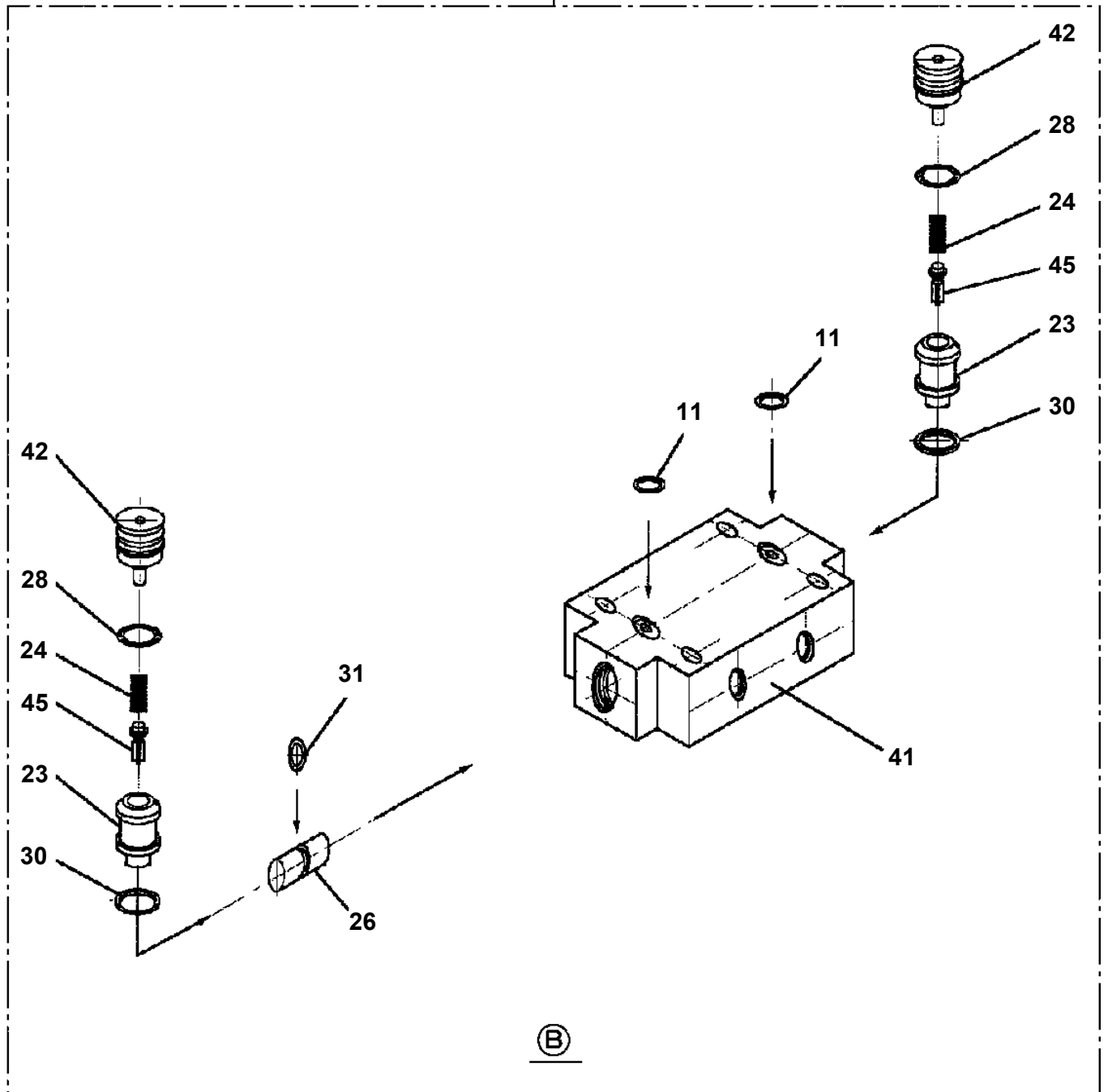
**AT-141-1 42043100052 UPPER
PI1120097-00 VALVE,SOLENOID**

30



AT-141-1 42043100052 UPPER
PI1140133-01 VALVE,CHECK

100



Ⓑ

CLICK HERE TO **DOWNLOAD** THE COMPLETE MANUAL

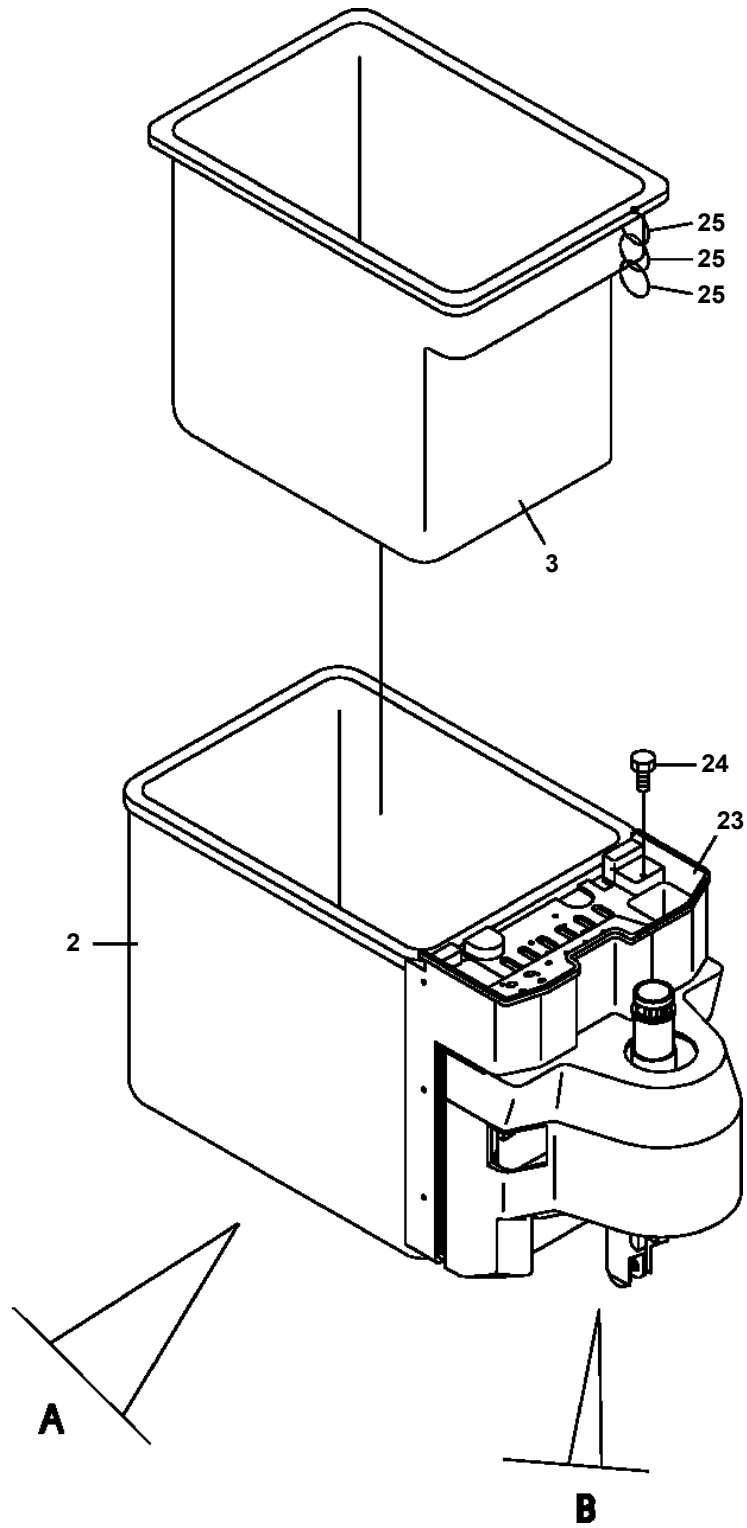
- Thank you very much for reading the preview of the manual.
- You can download the complete manual from: www.heydownloads.com by clicking the link below



- Please note: If there is no response to CLICKING the link, please download this PDF first and then click on it.

CLICK HERE TO **DOWNLOAD** THE COMPLETE MANUAL

**AT-141-1 42043100052 UPPER
PJ3010057-04 BUCKET (WITH LIFT)**



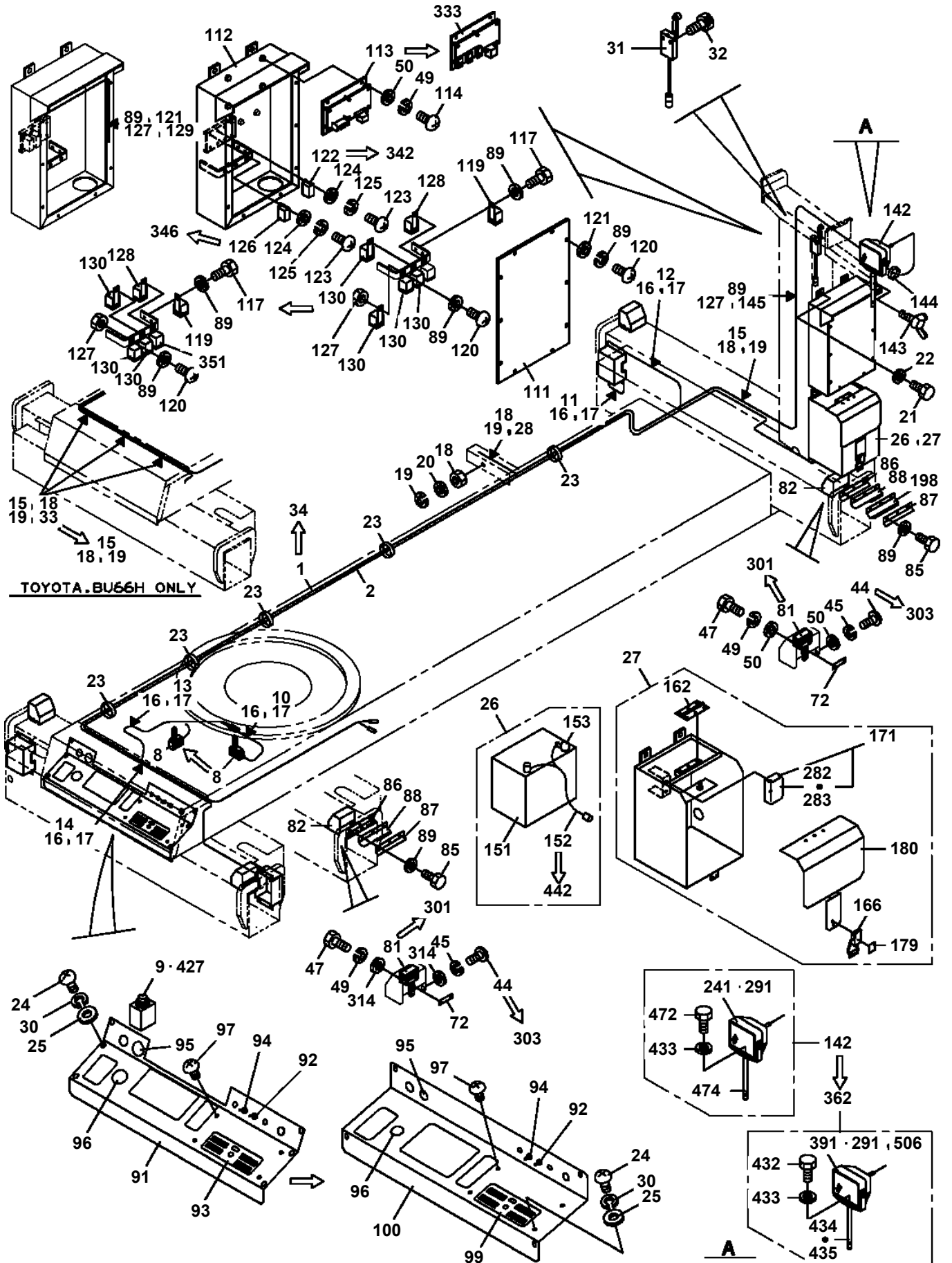
AT-141-1 4204310052 UPPER

Pos No.	Parts No	Parts Name	Qty	Unit	Technical Data	Serial No (Start)	Serial No (End)	Remarks
1	36051032000	CYLINDER	1					
2	90236401600	NUT,CASTLE	1		M16 H			
3	80136340032	PIN,SPLIT	1		4X32			
4	91684004000	PACKING	2					
5	91002801800	O-RING	1		1B P18			
6	42220104020	PISTON	1					
7	36050702000	COVER,ROD	1					
8	91002803800	O-RING	1		1B P38			
9	91694002500	PACKING	1					
11	91660002500	SEAL,DUST	1					
12	80622000250	RING,RITAINING	1		SP25			
13	36050703000	ROD	1					
31	(*****)	VALVE,PILOT CHECK	1					
32	36051030000	CYLINDER	1					
33	90101510040	BOLT	2		M10X40			
34	90302041001	WASHER,SPRING	2		10			
41	36051799900	PACKING SET	1					
50	42261420600	CYLINDER,LIFT (BUCKET)	1					

AT-141-1 4204310052 UPPER

Pos No.	Parts No	Parts Name	Qty	Unit	Technical Data	Serial No (Start)	Serial No (End)
1	42330820101	LEVER	1				
2	42330820201	LEVER	1				
3	42330820301	LEVER	1				
4	42330820401	LEVER	1				
5	42330820501	LEVER	1				
6	42330820601	LEVER	1				
7	42330820701	LEVER	1				
8	42330820801	ROD	7				
9	37001601910	NUT	3				
10	31320830010	KNOB (BLACK)	3				
11	37000148900	PIN	1				
12	80720104020	PIN,SPRING	2		4X20		
13	36634360002	VALVE,MANUAL CONTROL (BUCKET)	1				
14	90131508020	BOLT,HEXAGON SOCKET	3		M8X20		
15	82104501180	SWITCH,LIMIT	11				
16	31322050500	KNOB (BLACK)	4				
17	37000105610	PIN	7		L=18		
18	80136320010	PIN,SPLIT	7		2X10		

**AT-141-1 42043100052 UPPER
PN1010938-04 ELEC.ASSY (SUB FRAME)**

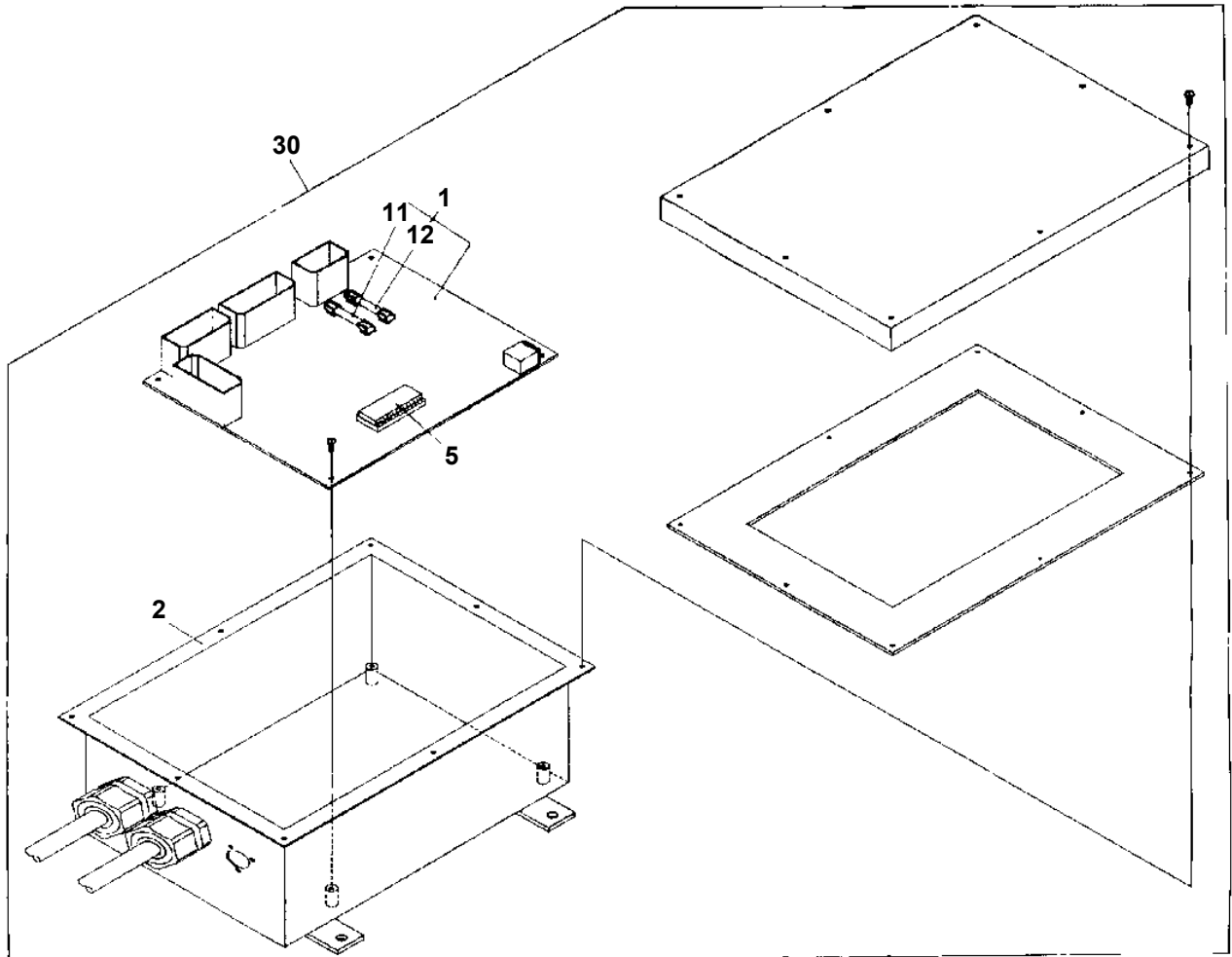


AT-141-1 42043100052 UPPER
PN1210023-01 TRANSMITTER, SIGNAL

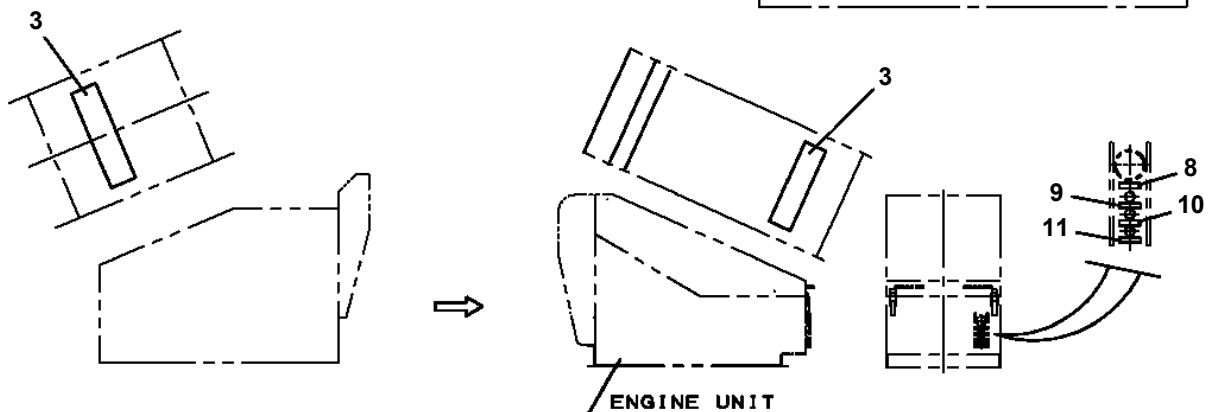
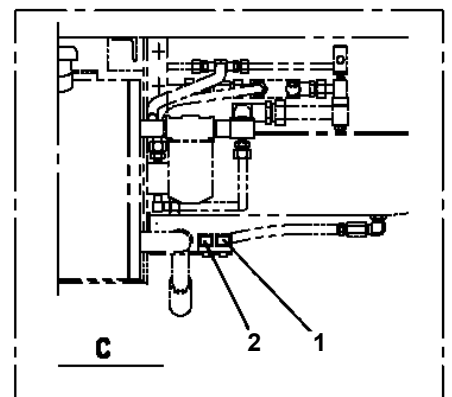
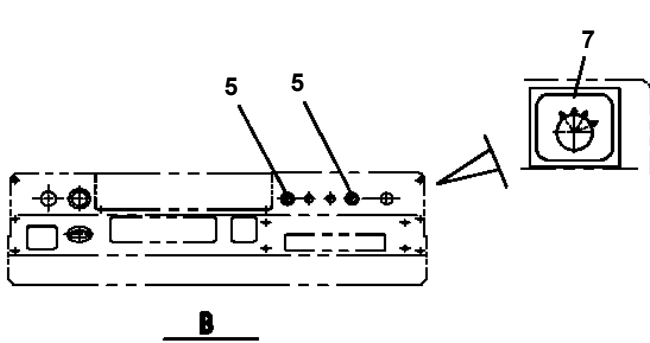
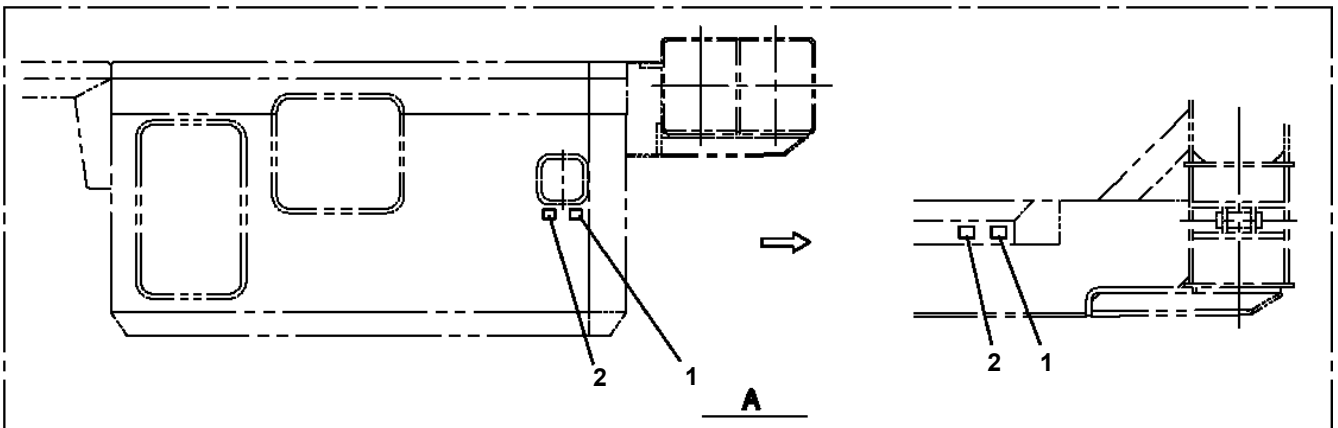
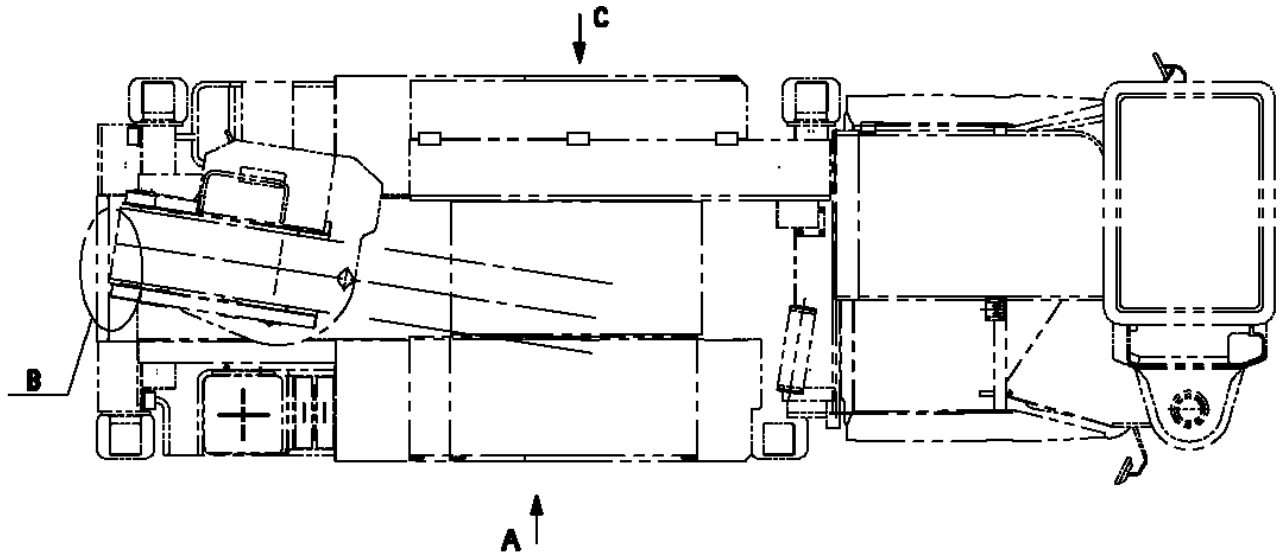
ASSEMBLY

INSTRUMENT

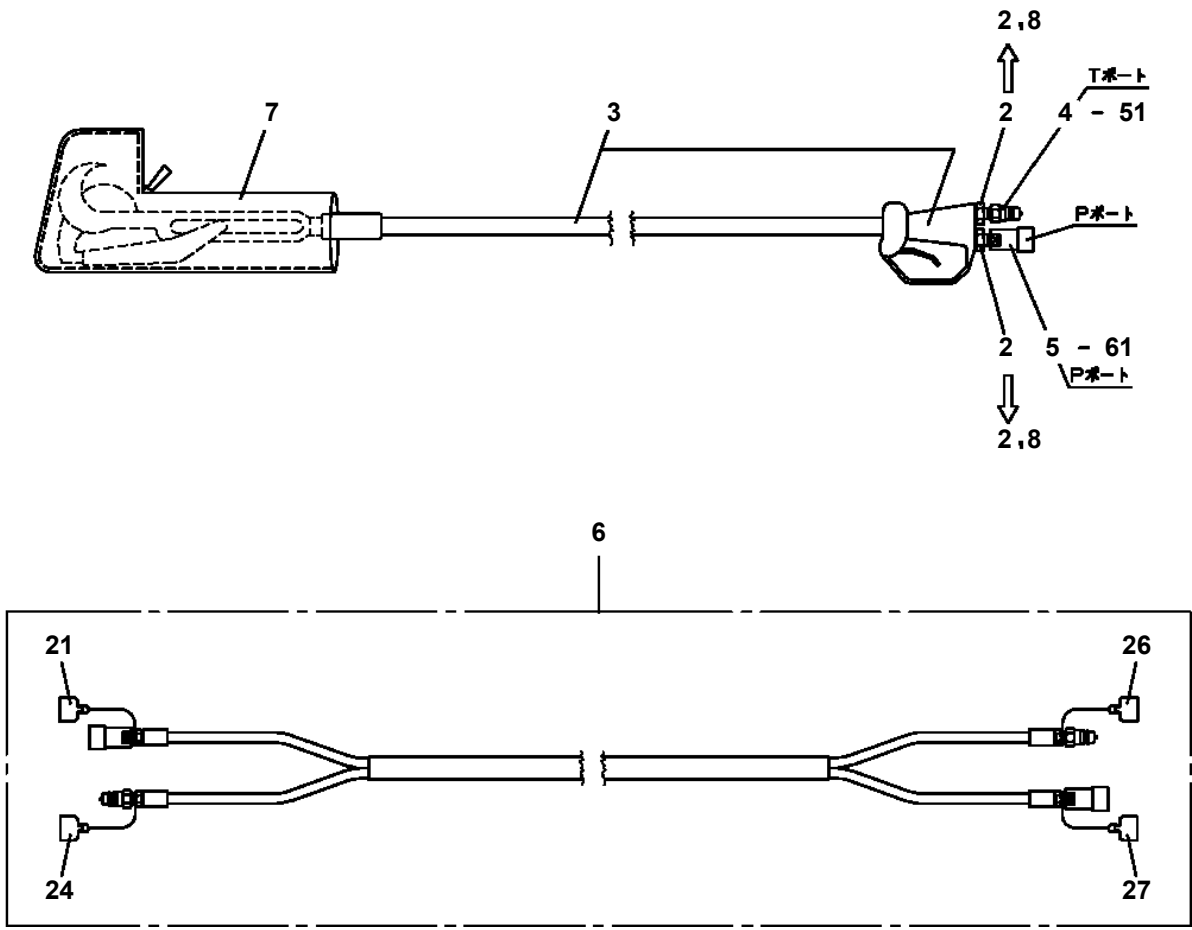
TRANSMITTER, SIGNAL



**AT-141-1 42043100052 UPPER
PO1010796-02 PLATE ASSY,NAME (ENGINE UNIT)**

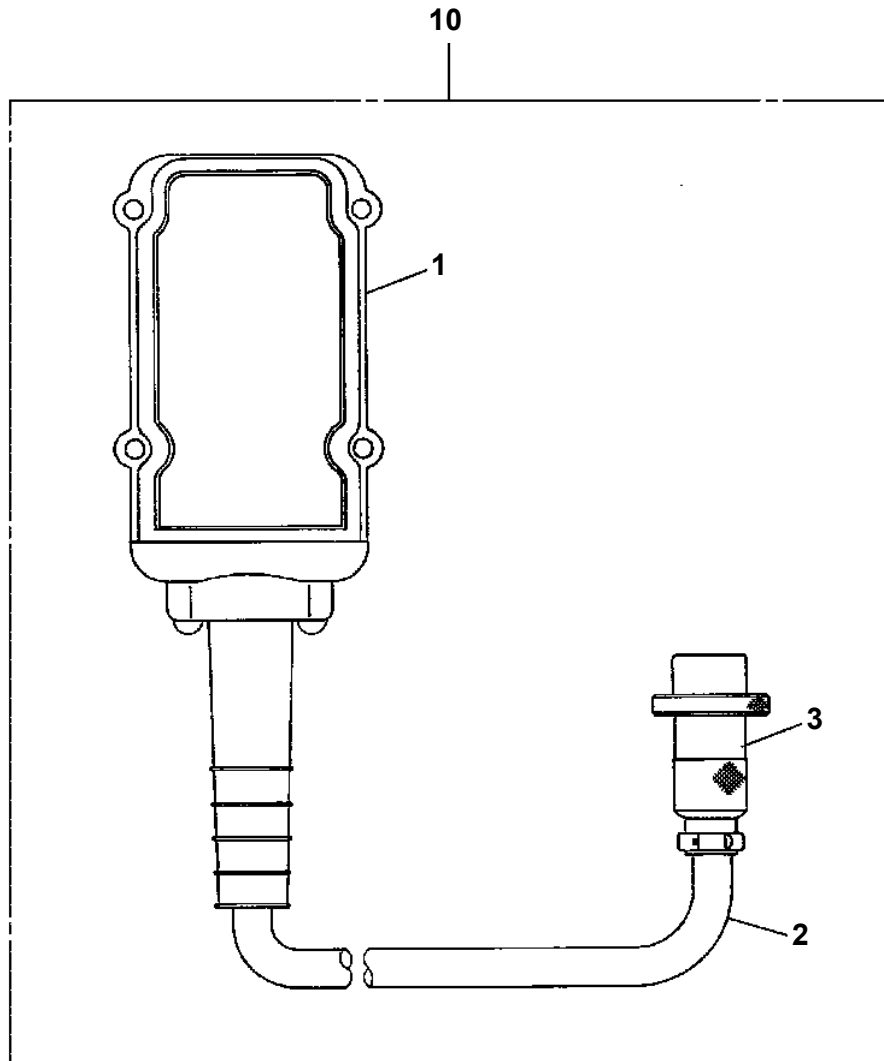


AT-141-1 42043100052 UPPER
PP5390001-00 PRUNER ASSY

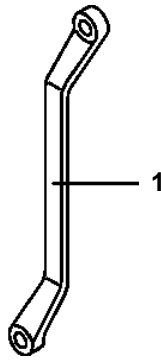


AT-141-1 42043100052 UPPER

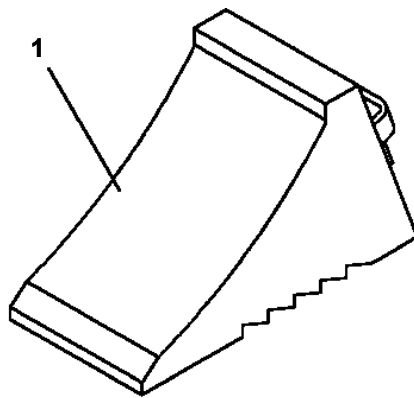
PV1030111-00 SWITCH BOX (ELECTRIC BOOSTER, 8M,NANABOSI,SINKOU DENKI)



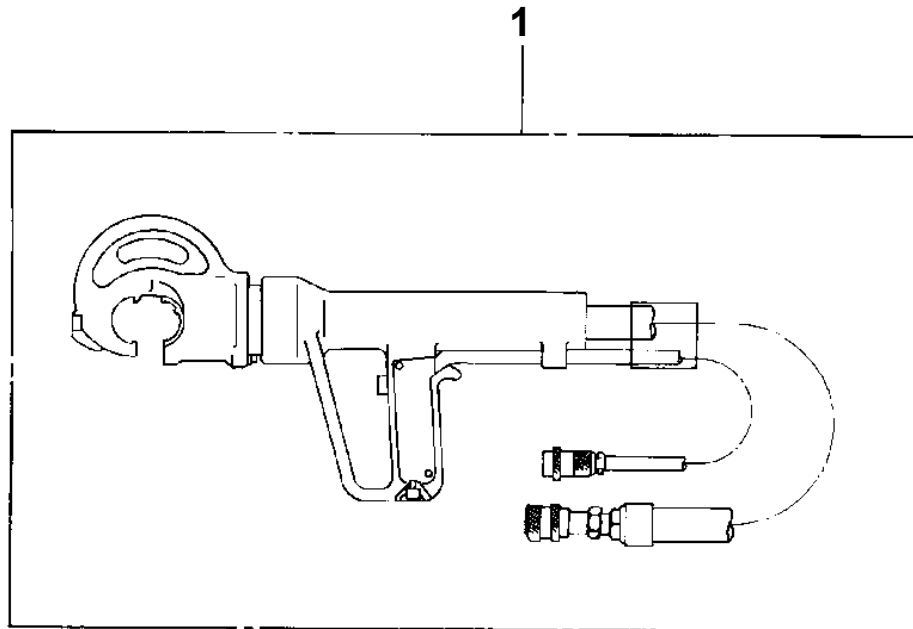
**AT-141-1 42043100052 UPPER
PW1010381-00 ACCESSORIES (WRENCH)**



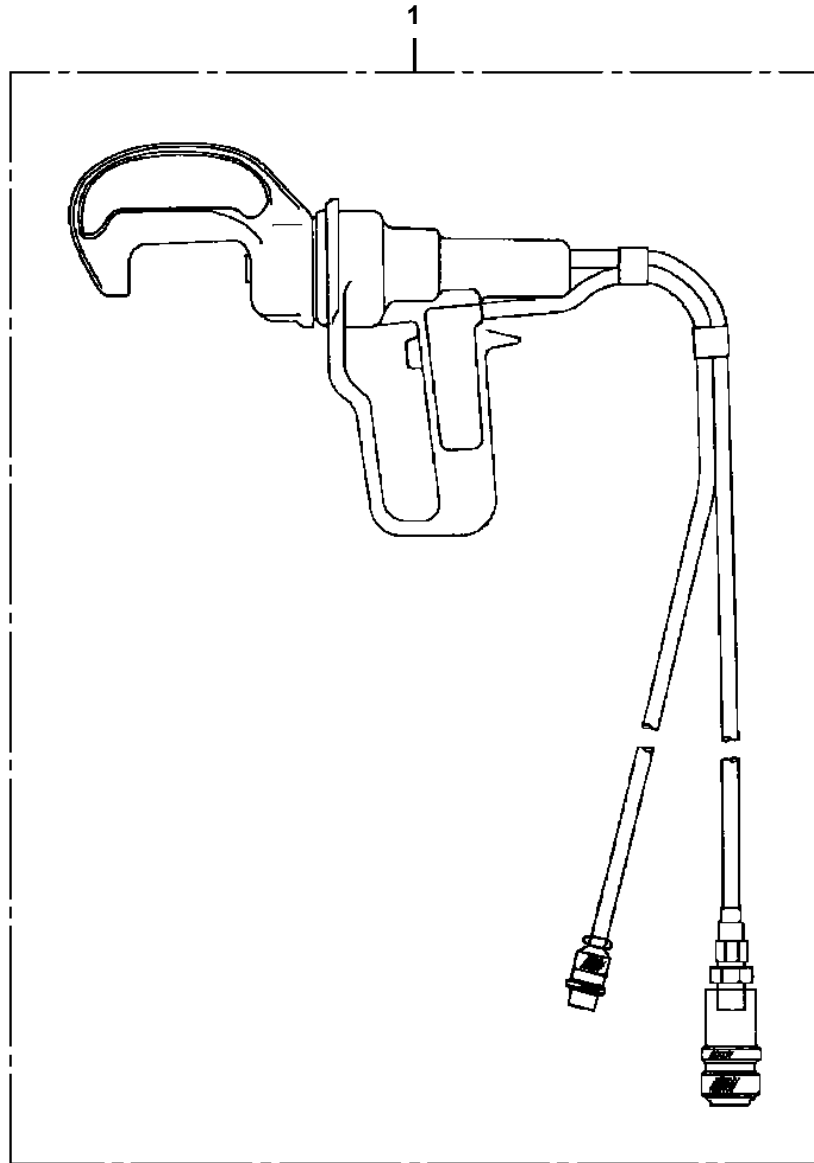
**AT-141-1 42043100052 UPPER
PW5110003-00 WEDGE (STOPPER FOR TIRE/NAKAMURA KIKI)**



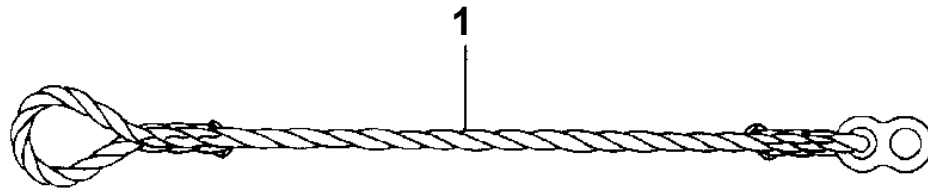
**AT-141-1 42043100052 UPPER
PY1050002-00 CLAMP HEAD (IZUMI 12TON 3.5M)**



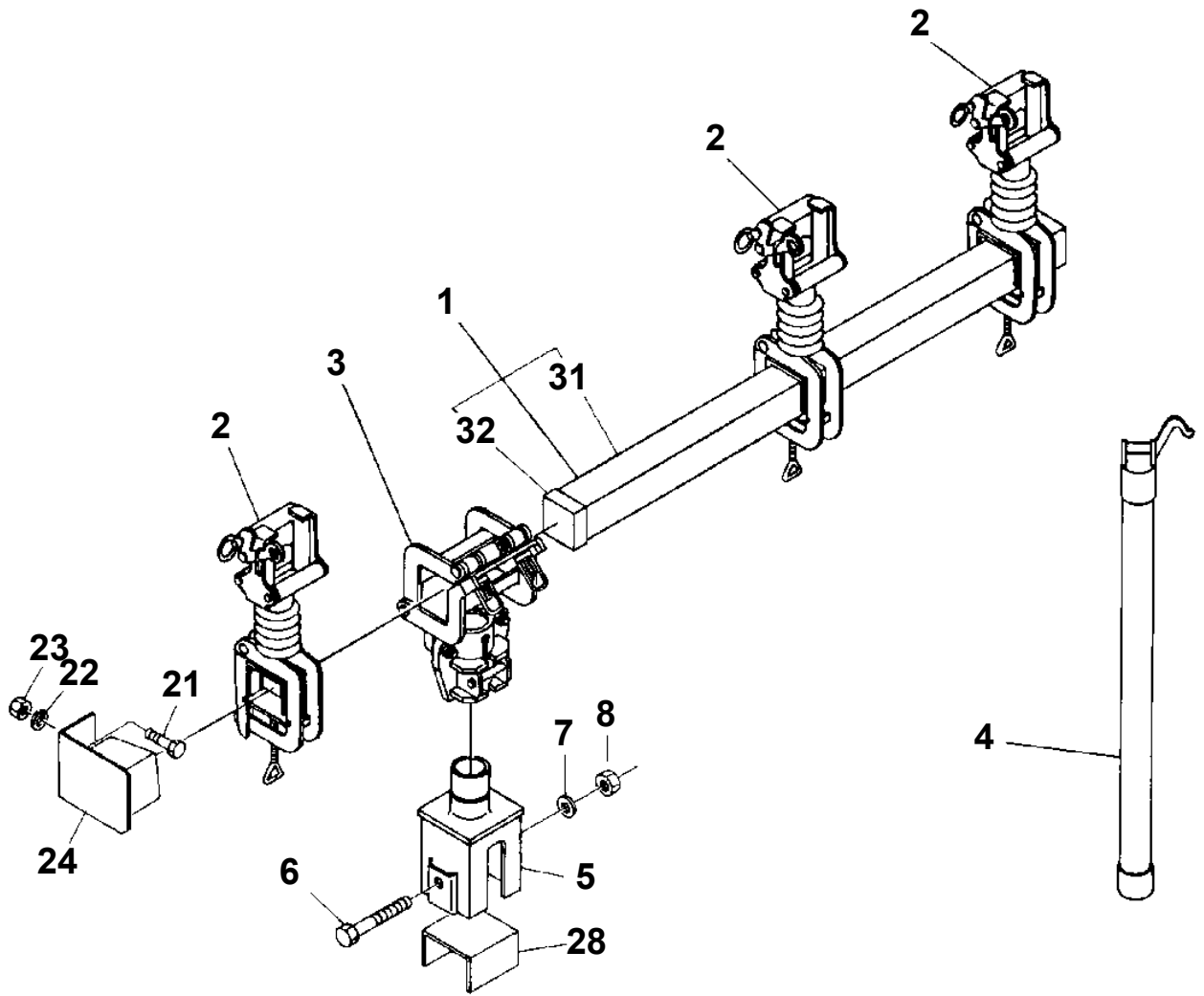
**AT-141-1 42043100052 UPPER
PY1050008-01 CLAMP HEAD (IZUMI 8TON 3.5M ELECTRIC)**



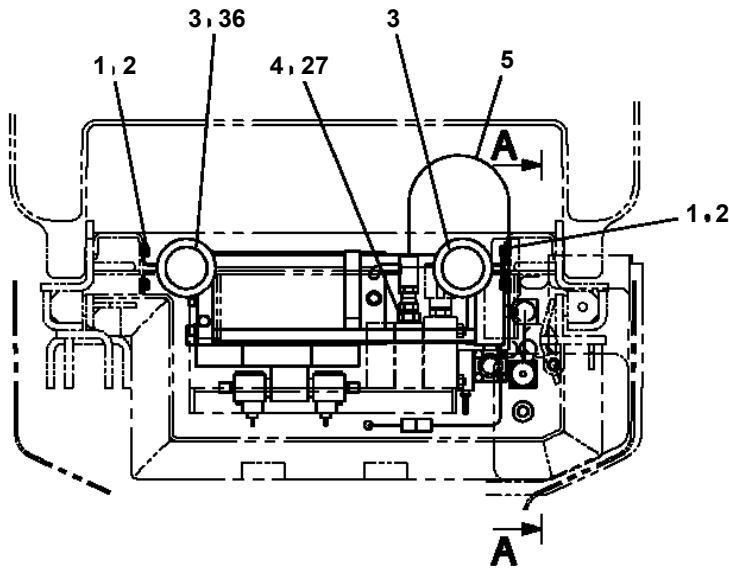
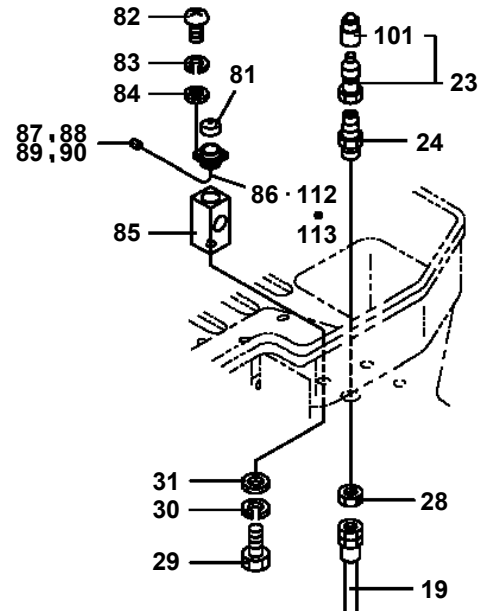
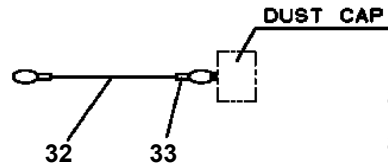
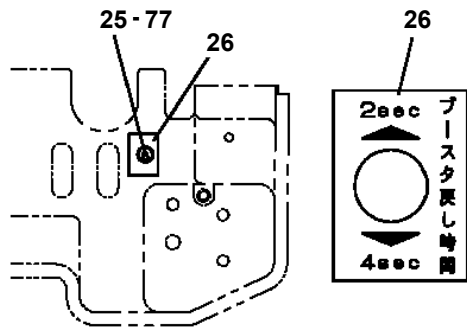
**AT-141-1 42043100052 UPPER
PY1070000-00 ROPE (SAFETY, YELLOW:TD-TYPE)**



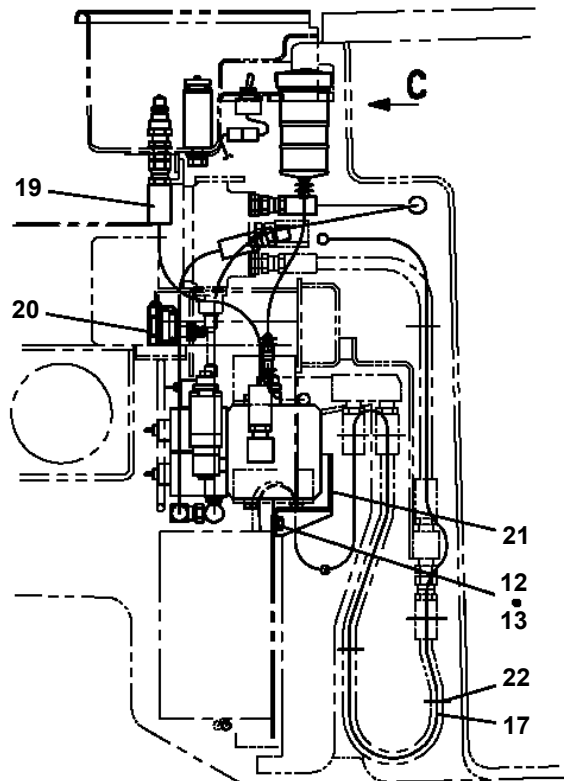
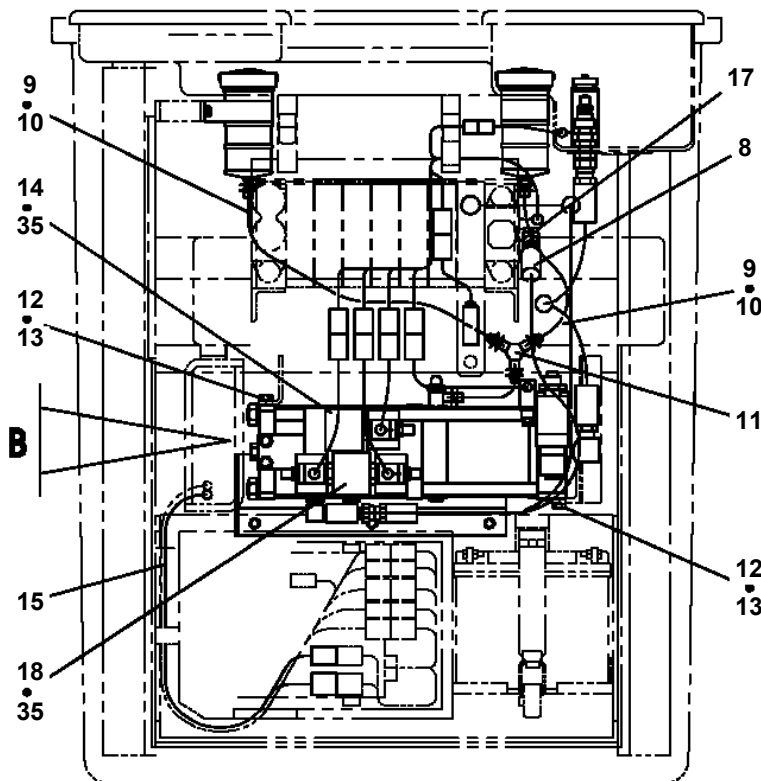
**AT-141-1 42043100052 UPPER
PY1080004-02 ARM**



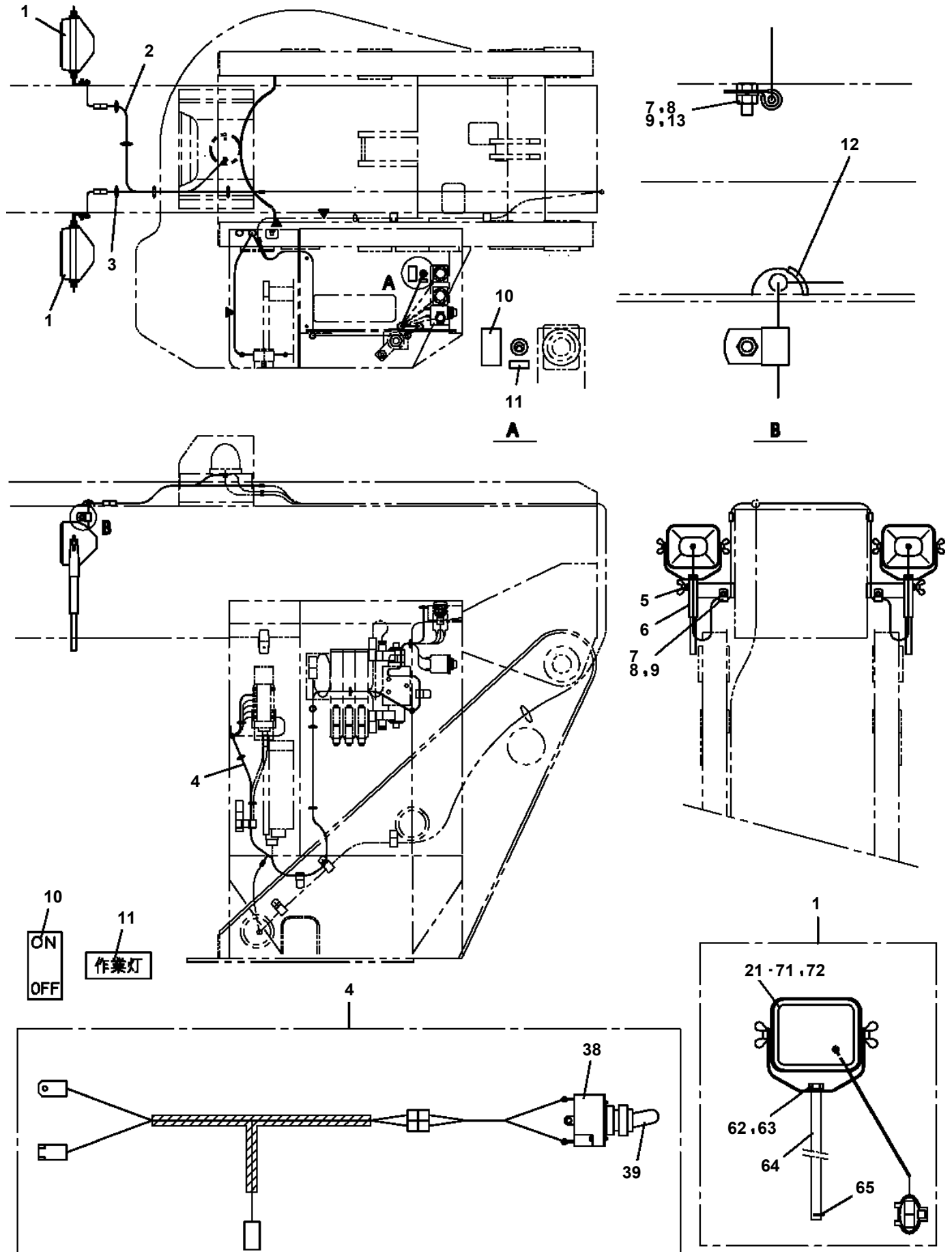
**AT-141-1 42043100052 UPPER
PY1160049-03 BOOSTER (ELECTRICAL, WITH LIFT)**



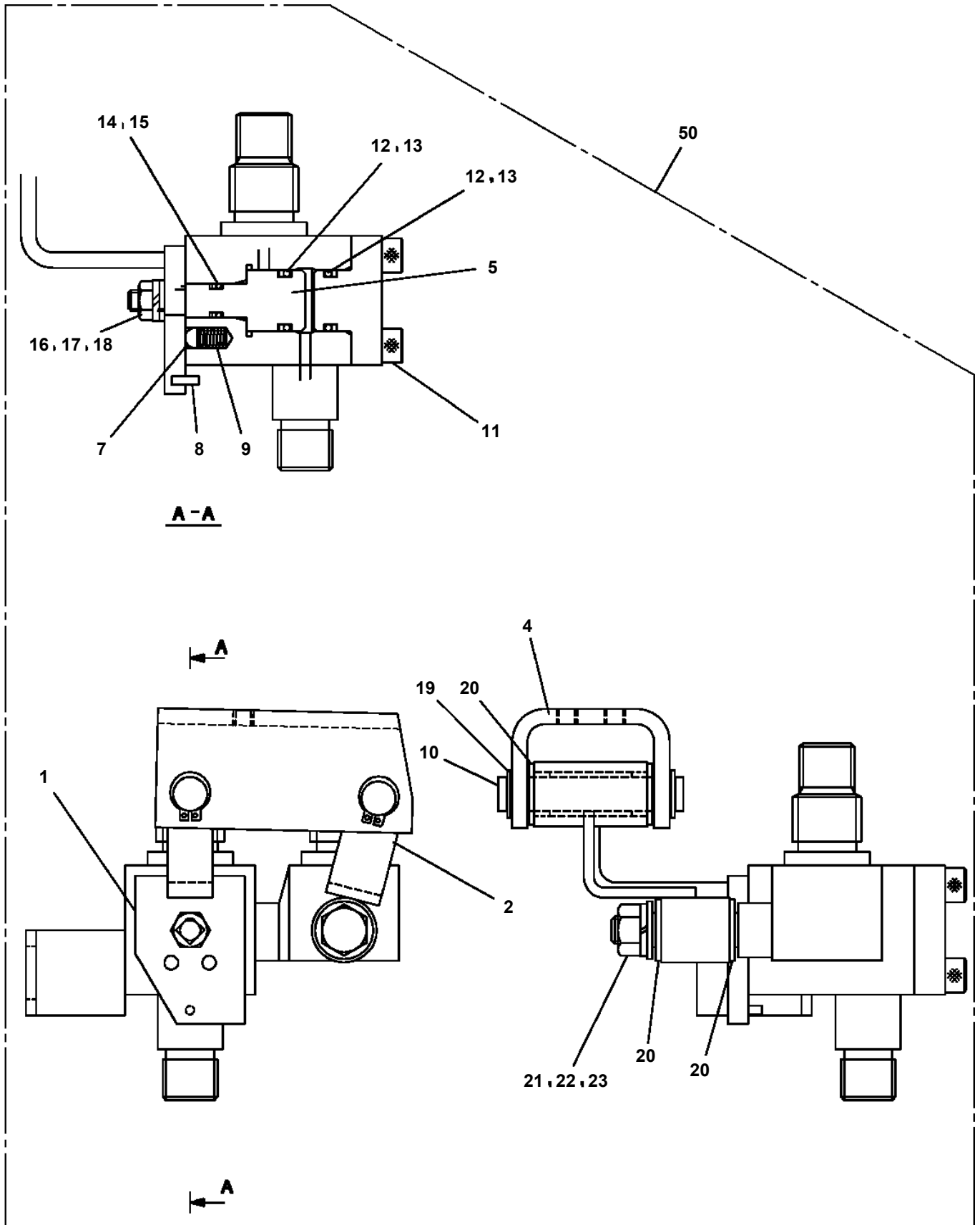
A-A



**AT-141-1 42043100052 UPPER
PY1180143-03 LAMP (BOOM SIDE WORKING LAMP)**

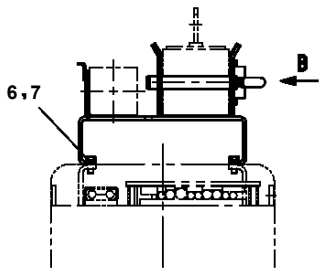
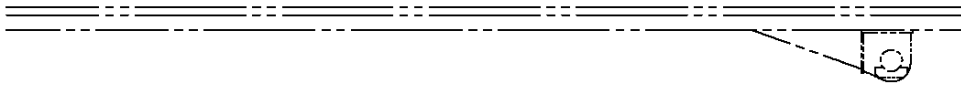
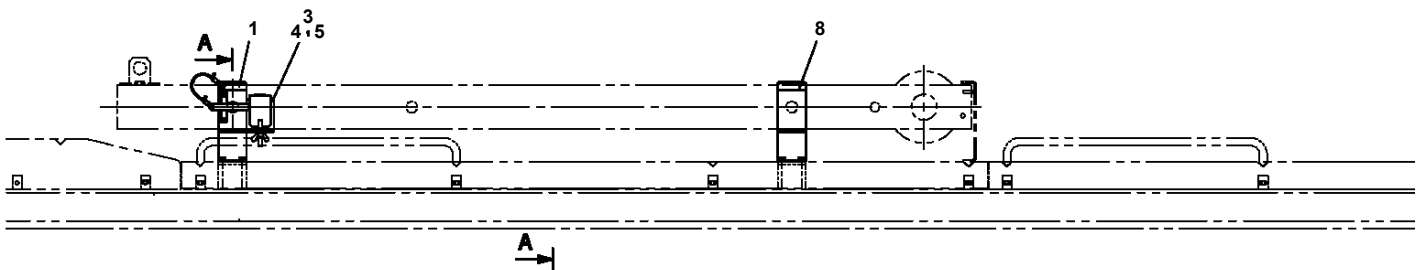
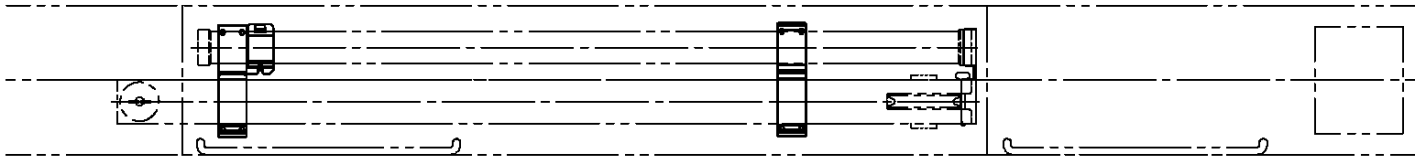


**AT-141-1 42043100052 UPPER
PY1500009-02 SELECTOR,BOOSTER (VALVE)**

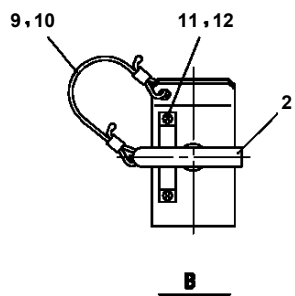


**AT-141-1 42043100052 UPPER
PY1550012-00 TOOL SUPPORT**

← **FRONT**

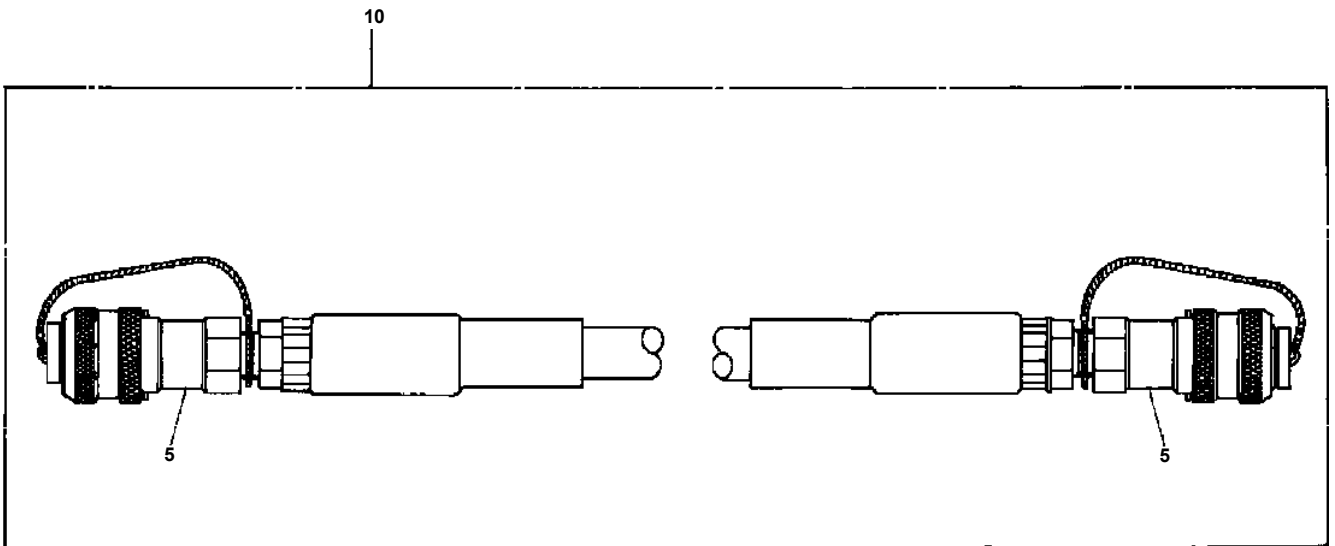


A-A

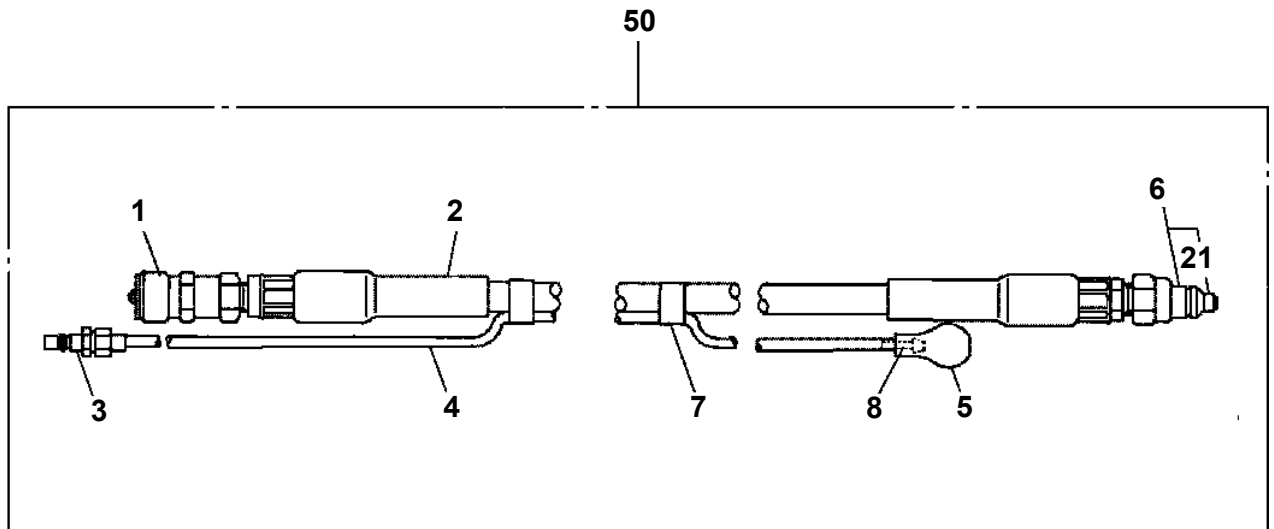


B

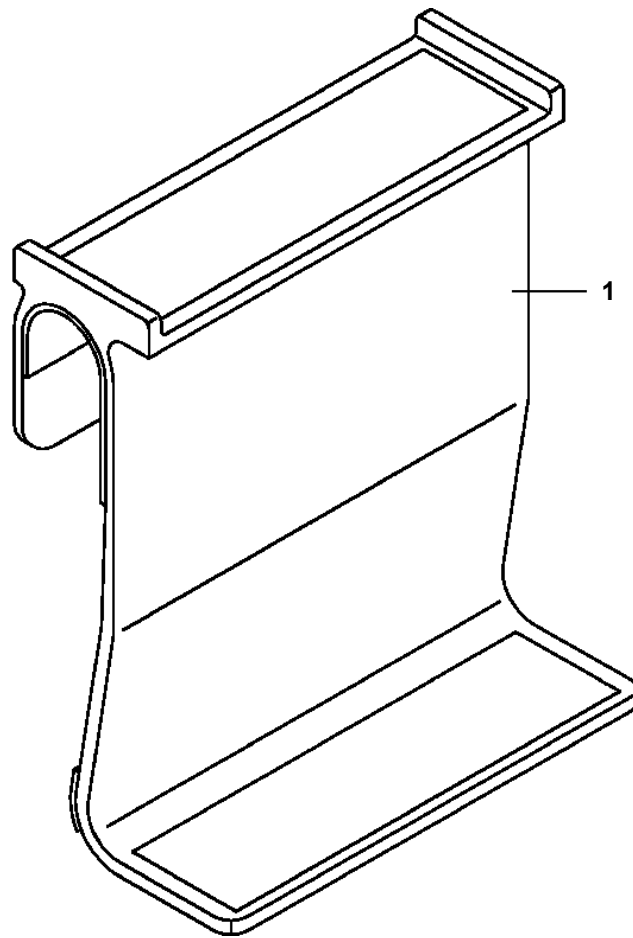
**AT-141-1 42043100052 UPPER
PY1590007-00 HOSE,BOOSTER (FEMALE-FEMALE,5M)**



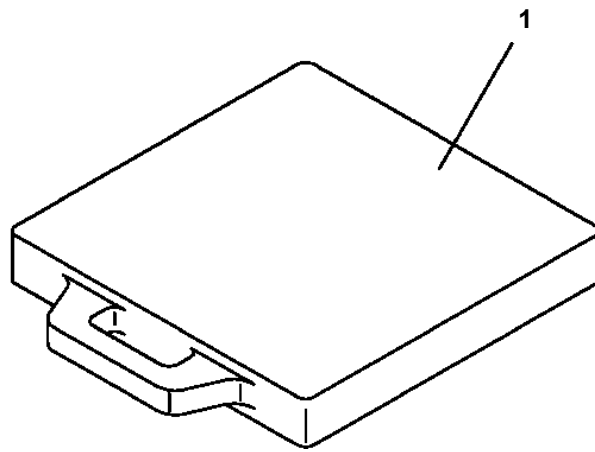
**AT-141-1 42043100052 UPPER
PY1590013-00 HOSE,BOOSTER (WITH AIR BALLOON,8M)**



**AT-141-1 42043100052 UPPER
PY1760003-00 STEP,BUCKET (GRAY,FOR BUCKET INNER)**



**AT-141-1 42043100052 UPPER
PY1930005-00 BLOCK,RUBBER (NAKAMURA)**



CLICK HERE TO **DOWNLOAD** THE COMPLETE MANUAL

- Thank you very much for reading the preview of the manual.
- You can download the complete manual from: www.heydownloads.com by clicking the link below



- Please note: If there is no response to CLICKING the link, please download this PDF first and then click on it.

CLICK HERE TO **DOWNLOAD** THE COMPLETE MANUAL